



US00D473525S

(12) **United States Design Patent**  
**Pincek et al.**

(10) **Patent No.:** **US D473,525 S**  
(45) **Date of Patent:** **\*\* Apr. 22, 2003**

(54) **RETRACTABLE AND INTERCHANGEABLE CONTROL PANEL FOR ELECTRONIC OR LIKE DEVICES**

(75) Inventors: **David Pincek**, Huntington Beach, CA (US); **Michael A. Fitzgerald**, Long Beach, CA (US); **Daniel E. Paano**, Long Beach, CA (US)

(73) Assignee: **RGB Systems, Inc.**, Anaheim, CA (US)

(\*\*) Term: **14 Years**

(21) Appl. No.: **29/143,311**

(22) Filed: **Jun. 11, 2001**

(51) **LOC (7) Cl.** ..... **13-03**

(52) **U.S. Cl.** ..... **D13/162**

(58) **Field of Search** ..... D13/162, 164; D10/46, 106; D14/217, 218, 240; D21/324; 200/5 R, 5 A; 361/627, 628, 631, 643, 644, 655, 668, 673

(56) **References Cited**

**U.S. PATENT DOCUMENTS**

D182,010 S	*	1/1958	Wells et al.	.....	D13/184
D187,221 S	*	2/1960	Laub et al.	.....	D10/103
D198,531 S	*	6/1964	Beville	.....	D14/217

(List continued on next page.)

*Primary Examiner*—Ted Shooman

*Assistant Examiner*—Selina Sikder

(74) *Attorney, Agent, or Firm*—The Hecker Law Group

(57) **CLAIM**

The ornamental design for a retractable and interchangeable control panel for electronic or like devices, as shown and described.

**DESCRIPTION**

FIG. 1 is a perspective view of a retractable and interchangeable control panel for electronic or like devices in an open

position. The broken lines are to represent an environment only and form no part of the claimed design.

FIG. 2 is a top elevational view thereof of the retractable and interchangeable control panel for electronic or like devices in an open position. The broken lines are to represent an environment only and form no part of the claimed design.

FIG. 3 is a front elevational view thereof of the retractable and interchangeable control panel for electronic or like devices in an open position. The broken lines are to represent an environment only and form no part of the claimed design.

FIG. 4 is a right side elevational view thereof of the retractable and interchangeable control panel for electronic or like devices in an open position. The broken lines are to represent an environment only and form no part of the claimed design.

FIG. 5 is a top elevational view thereof of the retractable and interchangeable control panel for electronic or like devices in a closed position. The broken lines are to represent an environment only and form no part of the claimed design.

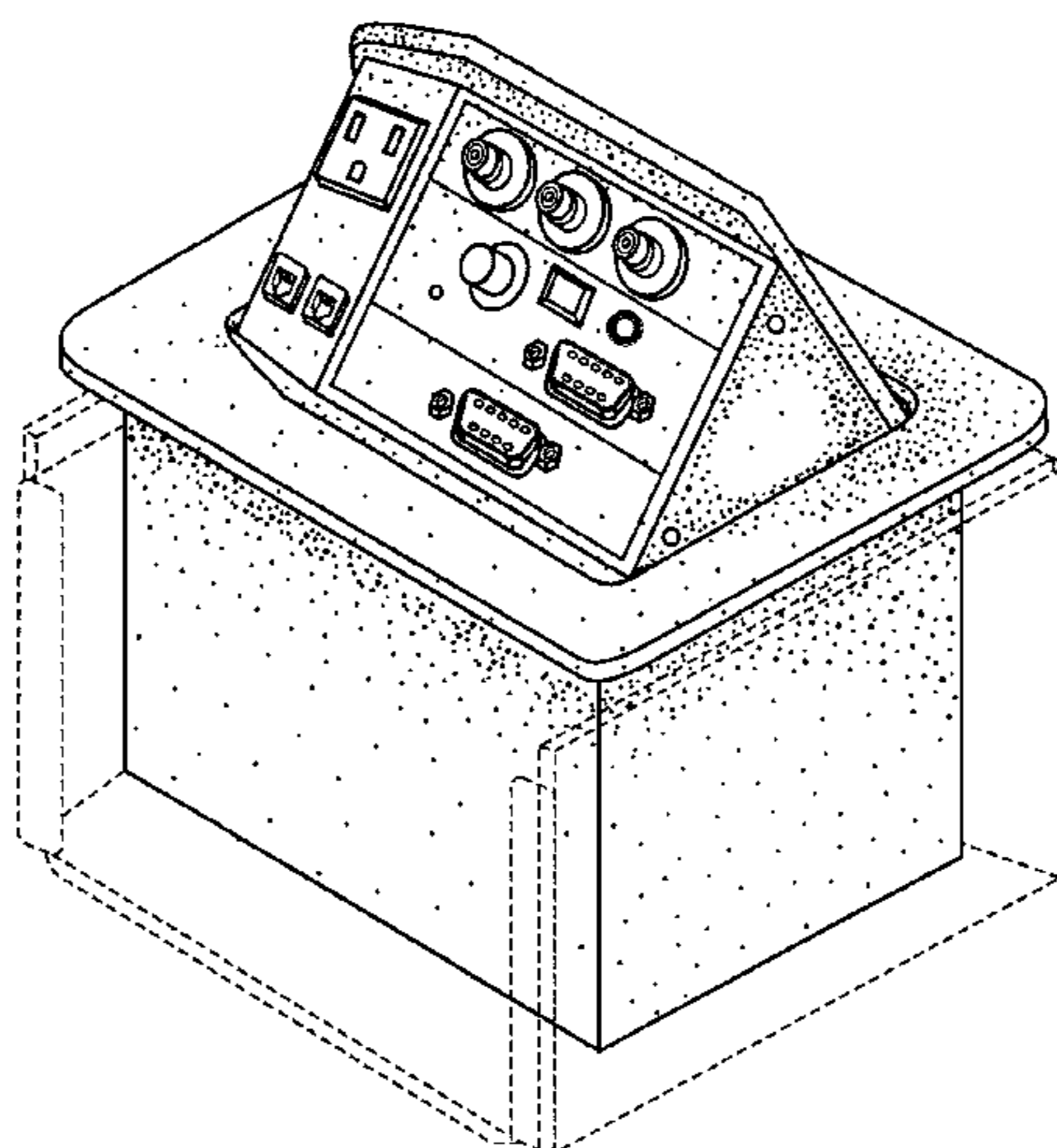
FIG. 6 is a perspective view thereof of the retractable and interchangeable control panel for electronic or like devices in a closed position. The broken lines are to represent an environment only and form no part of the claimed design.

FIG. 7 is a back elevational view thereof of the retractable and interchangeable control panel for electronic or like devices in a closed position. The broken lines are to represent an environment only and form no part of the claimed design.

FIG. 8 is a side elevational view thereof of the retractable and interchangeable control panel for electronic or like devices in a closed position. The broken lines are to represent an environment only and form no part of the claimed design; and,

FIG. 9 is a left side elevational view thereof of the retractable and interchangeable control panel for electronic or like devices in an open position. The broken lines are to represent an environment only and form no part of the claimed design.

**1 Claim, 5 Drawing Sheets**



# US D473,525 S

Page 2

---

## U.S. PATENT DOCUMENTS

D205,590 S	*	8/1966	Balmer .....	D13/184	D340,660 S	*	10/1993	Russell .....	D10/123
D244,214 S	*	5/1977	Ross et al. ....	D14/217	D363,741 S	*	10/1995	Leff et al. ....	D19/60
D280,893 S	*	10/1985	Ueda .....	D13/164	D437,827 S		2/2001	Gershfeld	
D295,255 S	*	4/1988	Mauch .....	D8/330	D442,143 S		5/2001	Gershfeld	
D306,428 S	*	3/1990	Barth et al. ....	D13/164	D448,756 S	*	10/2001	Lewellen .....	D14/217

\* cited by examiner

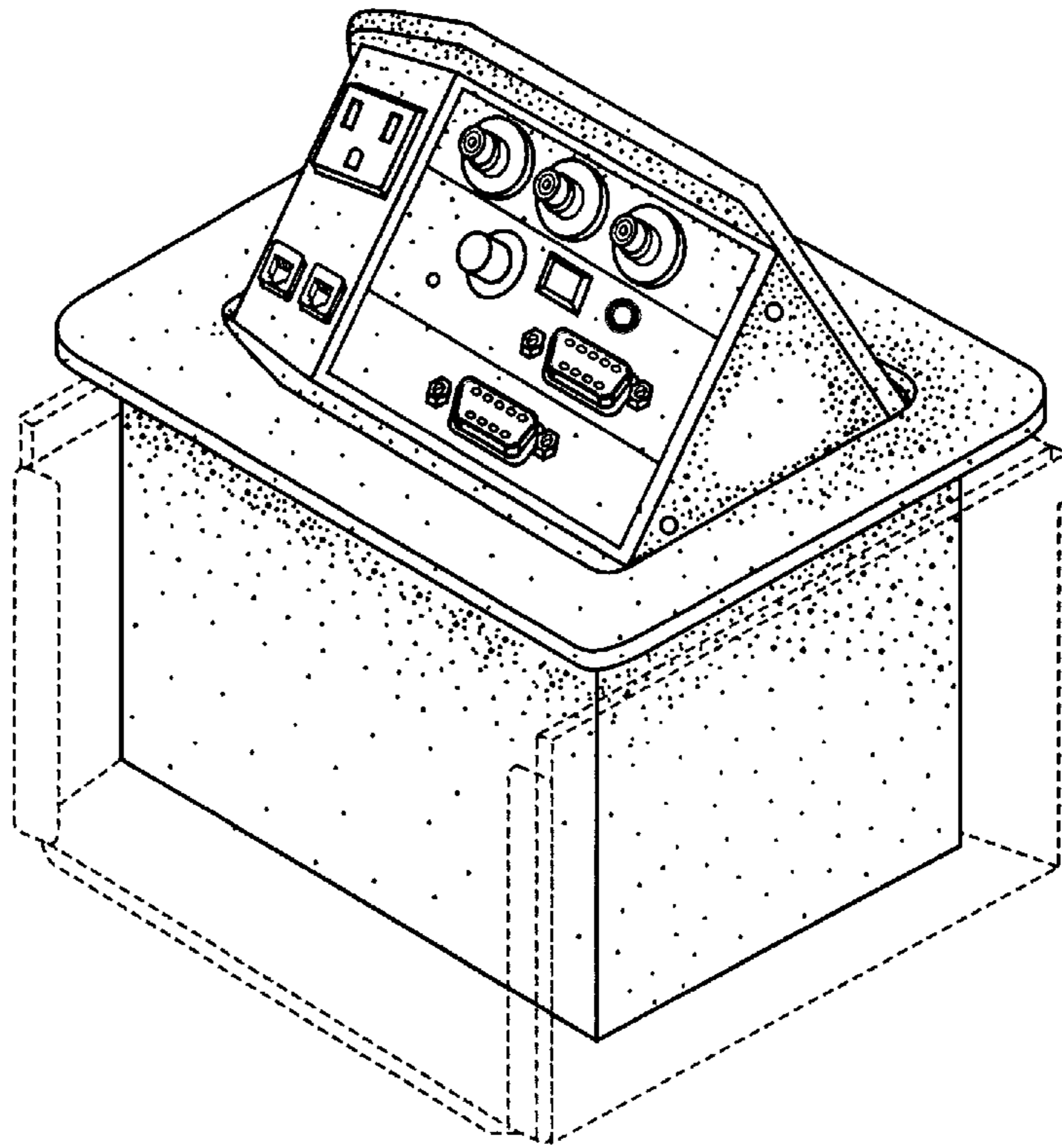


FIG. 1

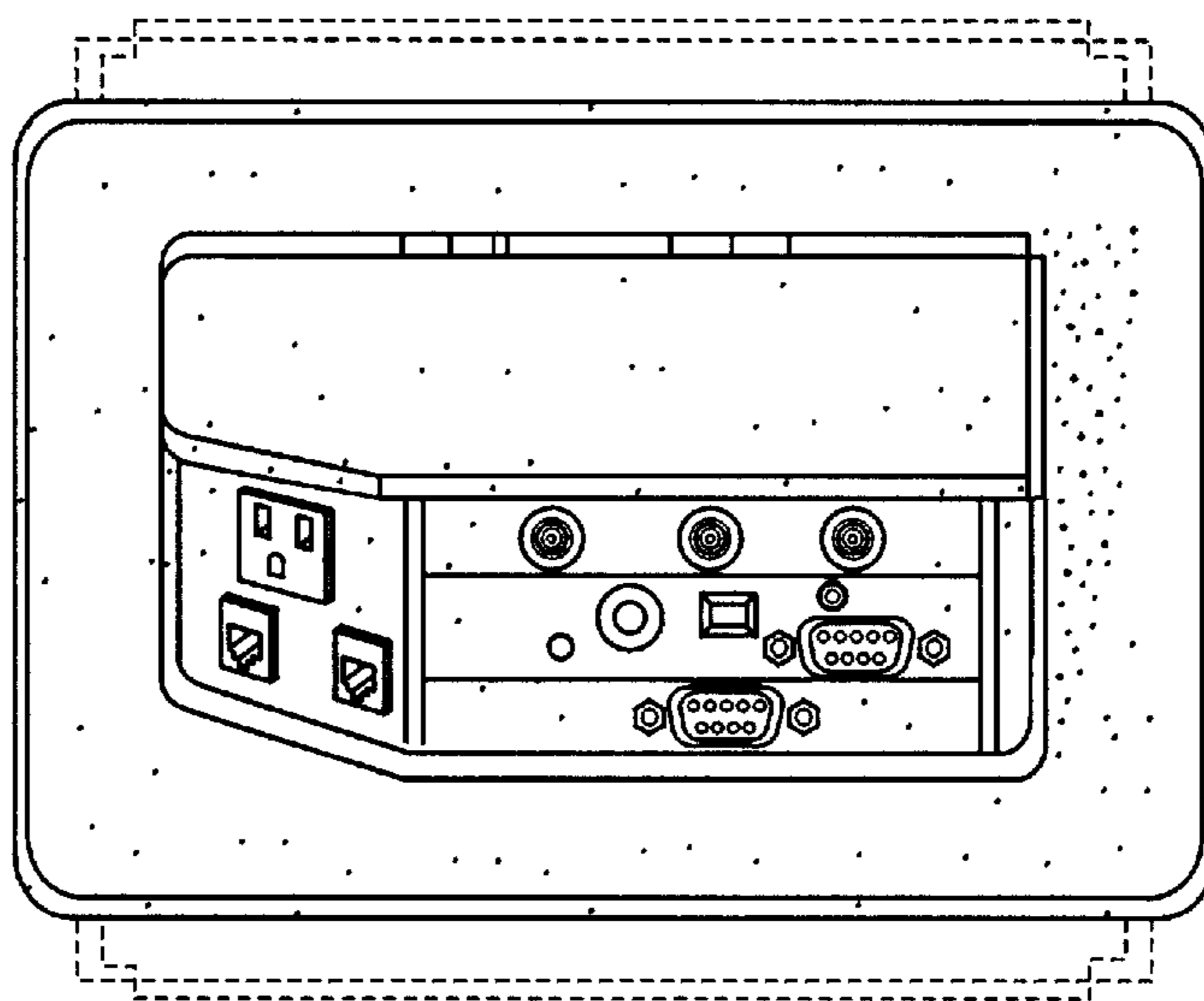


FIG. 2

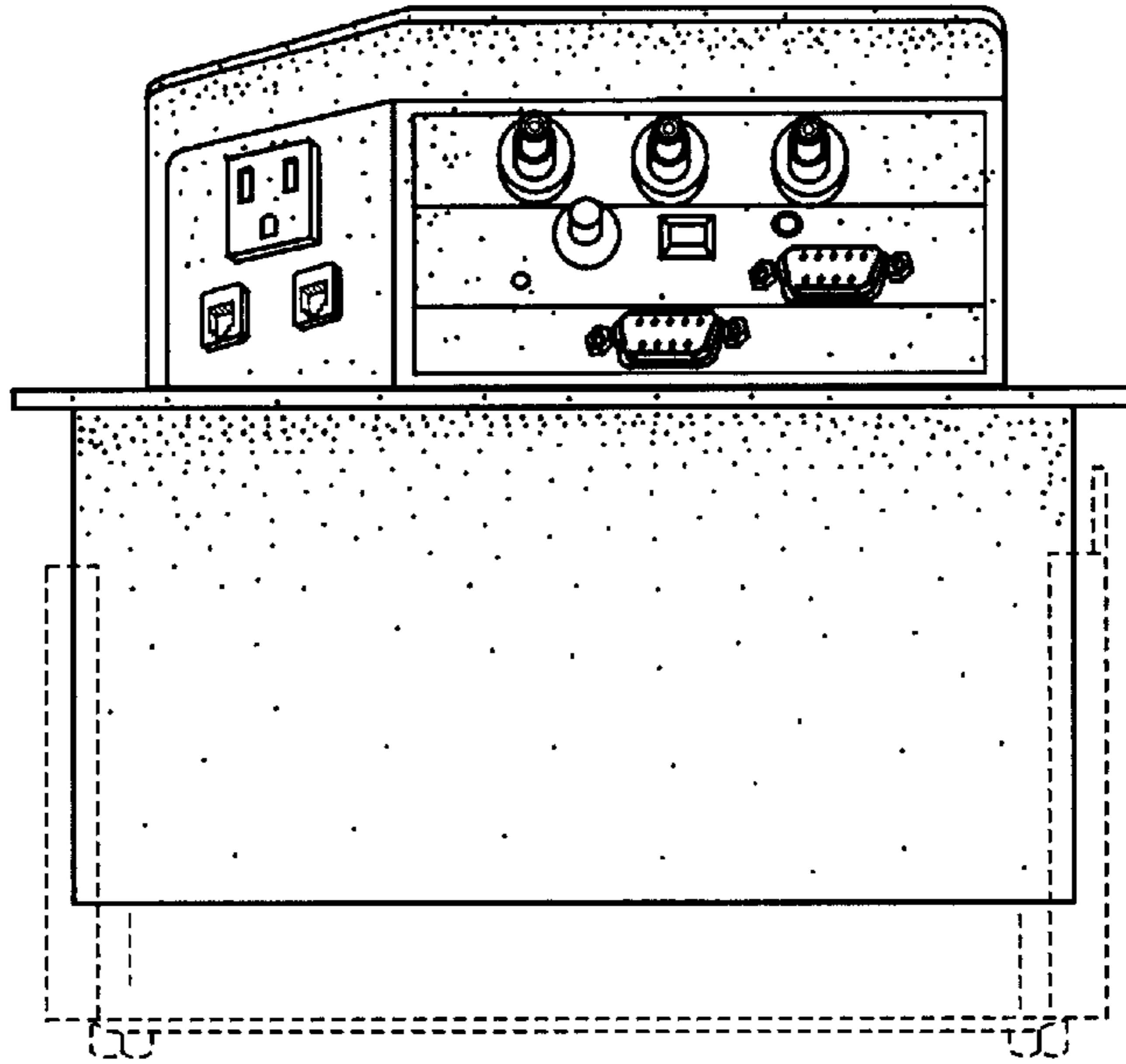


FIG. 3

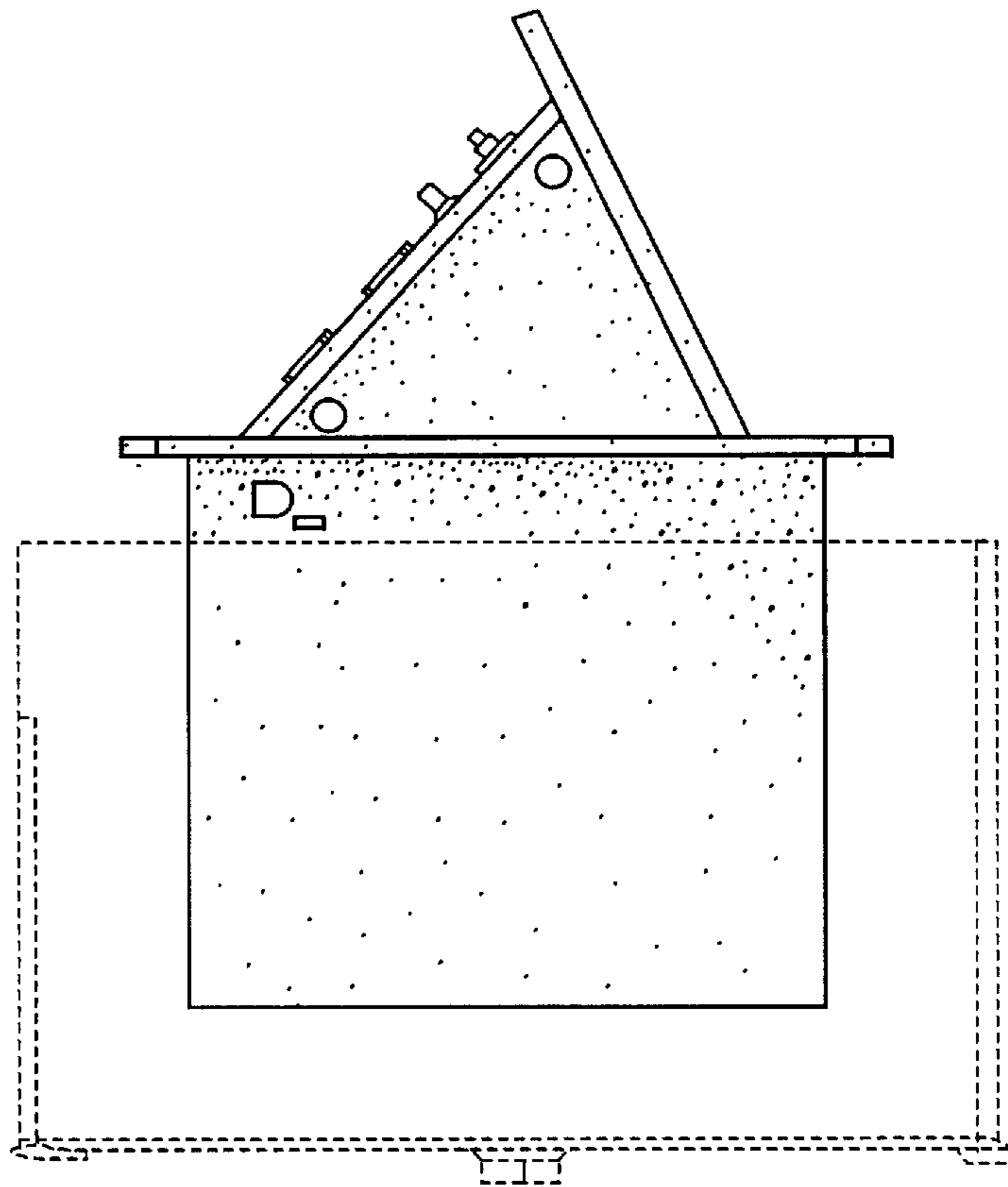


FIG. 4

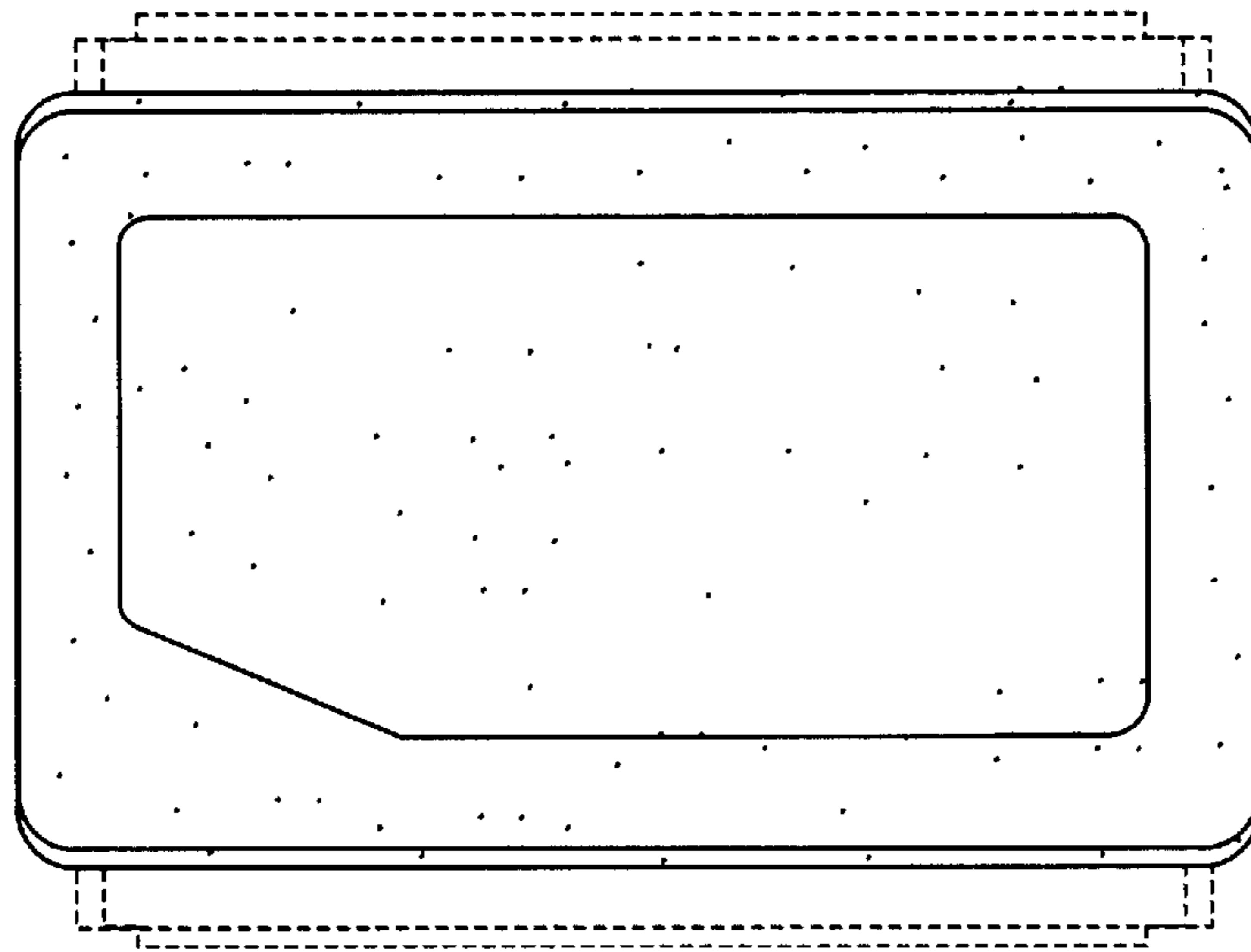


FIG. 5

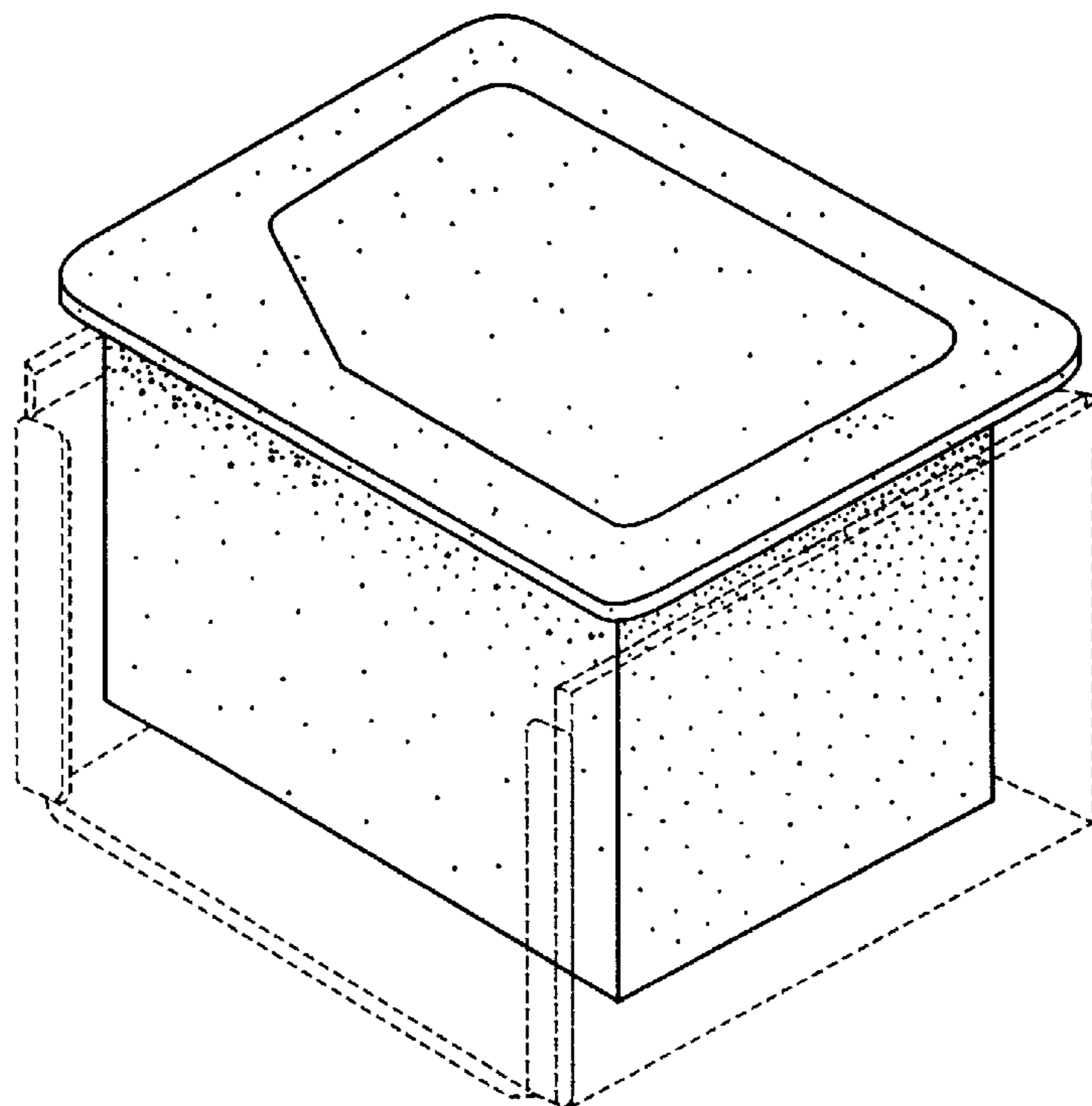
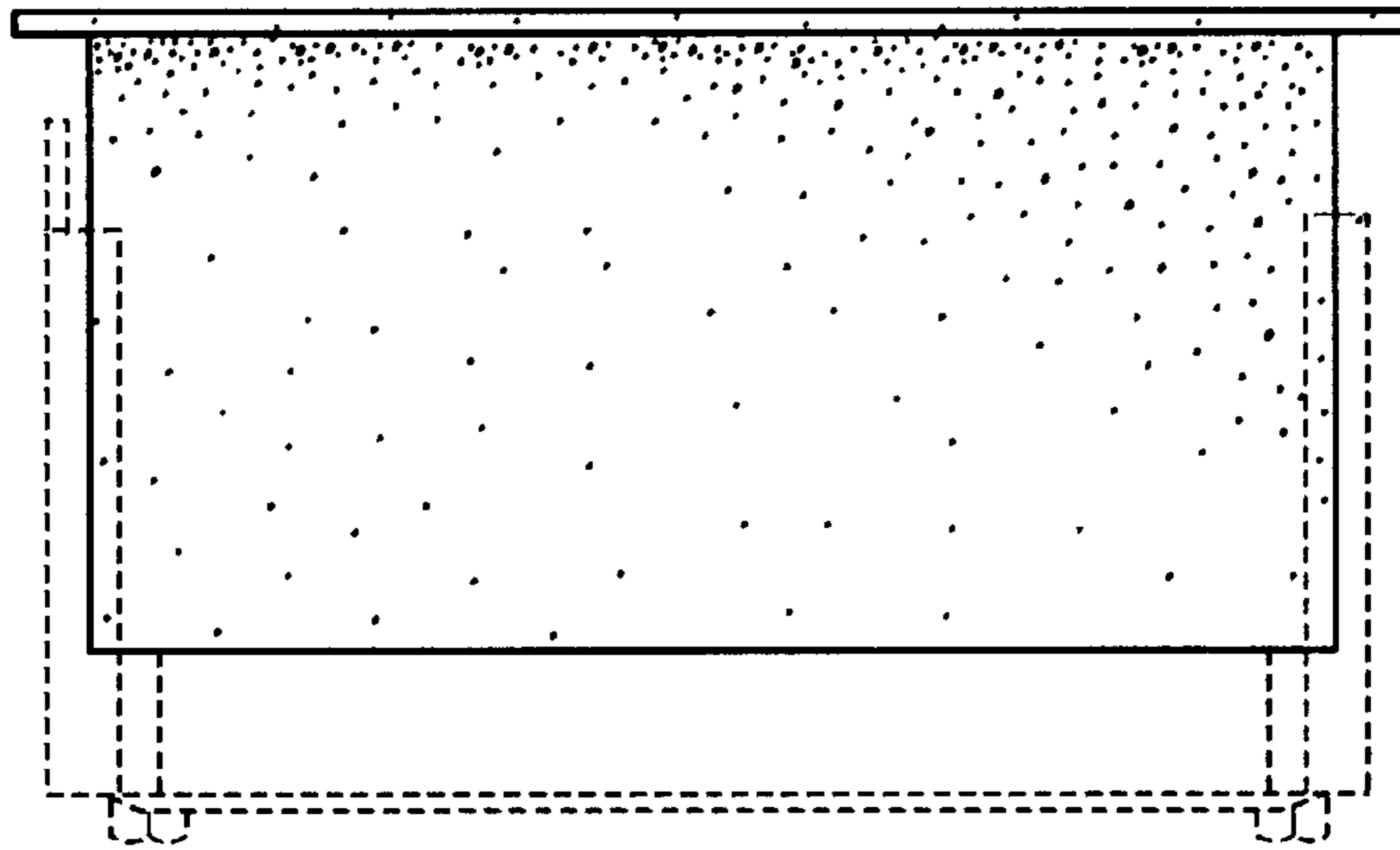
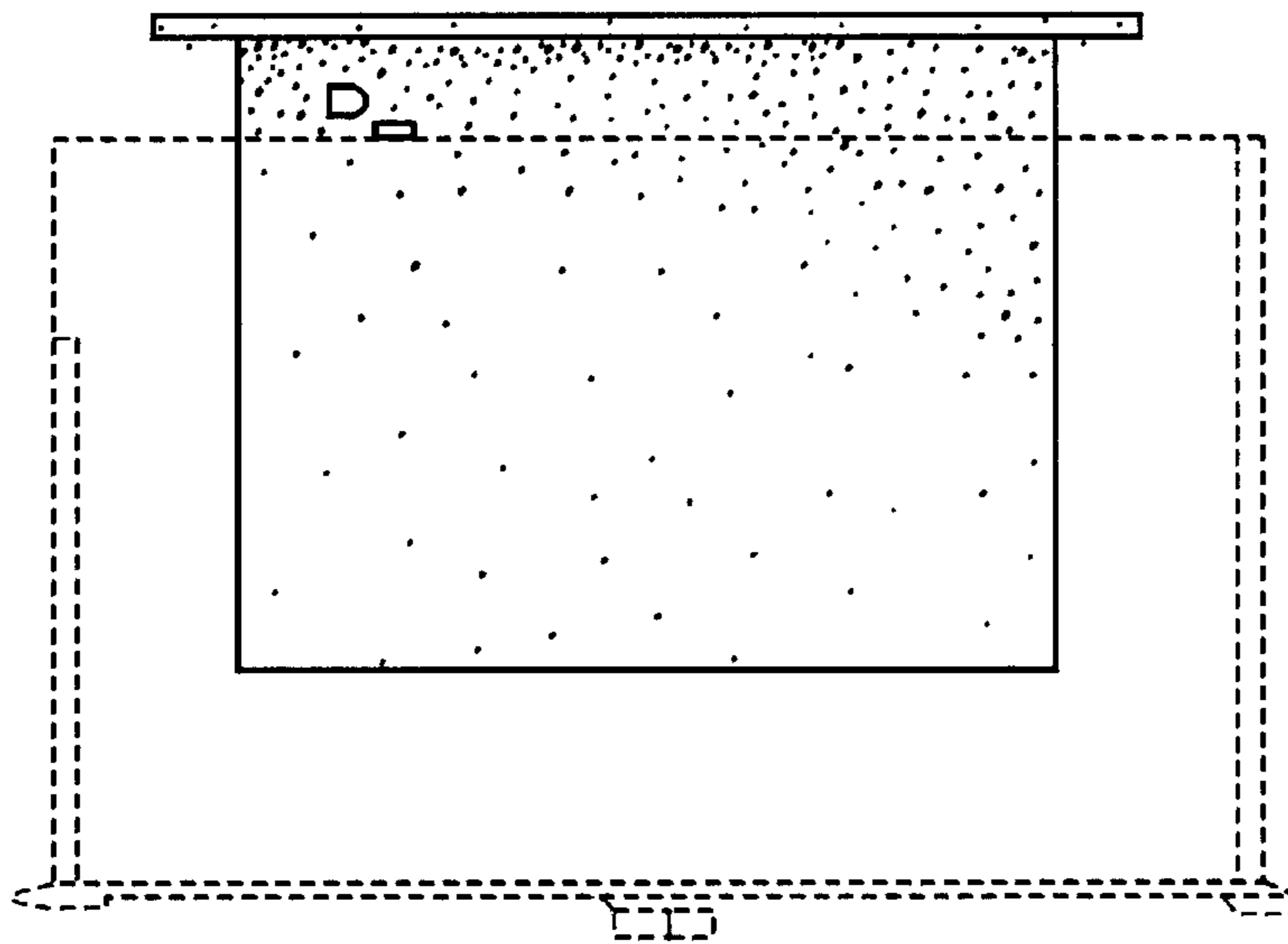


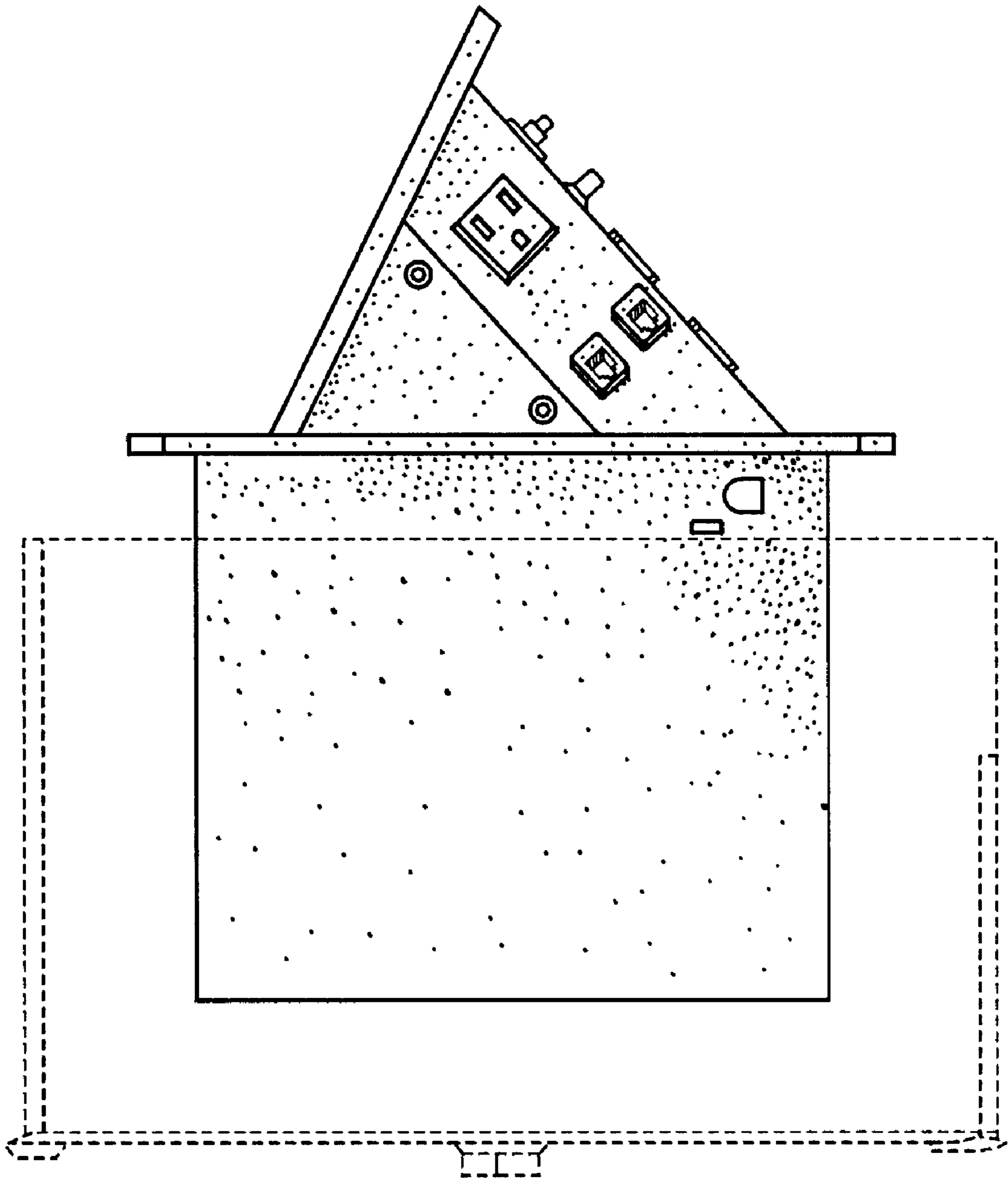
FIG. 6



**FIG. 7**



**FIG. 8**



**FIG. 9**