



US00D473523S

(12) **United States Design Patent**
Garver

(10) **Patent No.:** **US D473,523 S**

(45) **Date of Patent:** **** Apr. 22, 2003**

(54) **CONVOLUTED TUBING WITH AN OVERMOLDED END CAP**

6,474,994 B2 * 11/2002 Yeh 439/578

* cited by examiner

(75) Inventor: **Scott A. Garver**, Fort Wayne, IN (US)

Primary Examiner—Jennifer Rivard

(73) Assignee: **Lyall Assemblies, Inc.**, Albion, IN (US)

(74) *Attorney, Agent, or Firm*—Taylor & Aust, P.C.

(**) Term: **14 Years**

(57) **CLAIM**

(21) Appl. No.: **29/162,955**

The ornamental design for a convoluted tubing with an overmolded end cap, as shown and described.

(22) Filed: **Jun. 25, 2002**

DESCRIPTION

(51) **LOC (7) Cl.** **13-03**

FIG. 1 is a perspective view of a convoluted tubing with an overmolded end cap showing my new design;

(52) **U.S. Cl.** **D13/156**

FIG. 2 is an end view thereof;

(58) **Field of Search** D13/154, 156,
D13/155; 439/578, 583; 174/74 A, 74 R,
65 R, 188, 82

FIG. 3 is a side view thereof;

FIG. 4 is an alternate side view thereof;

FIG. 5 is an alternate end view thereof;

FIG. 6 is another alternate side view thereof; and,

FIG. 7 is yet another alternate side view thereof.

(56) **References Cited**

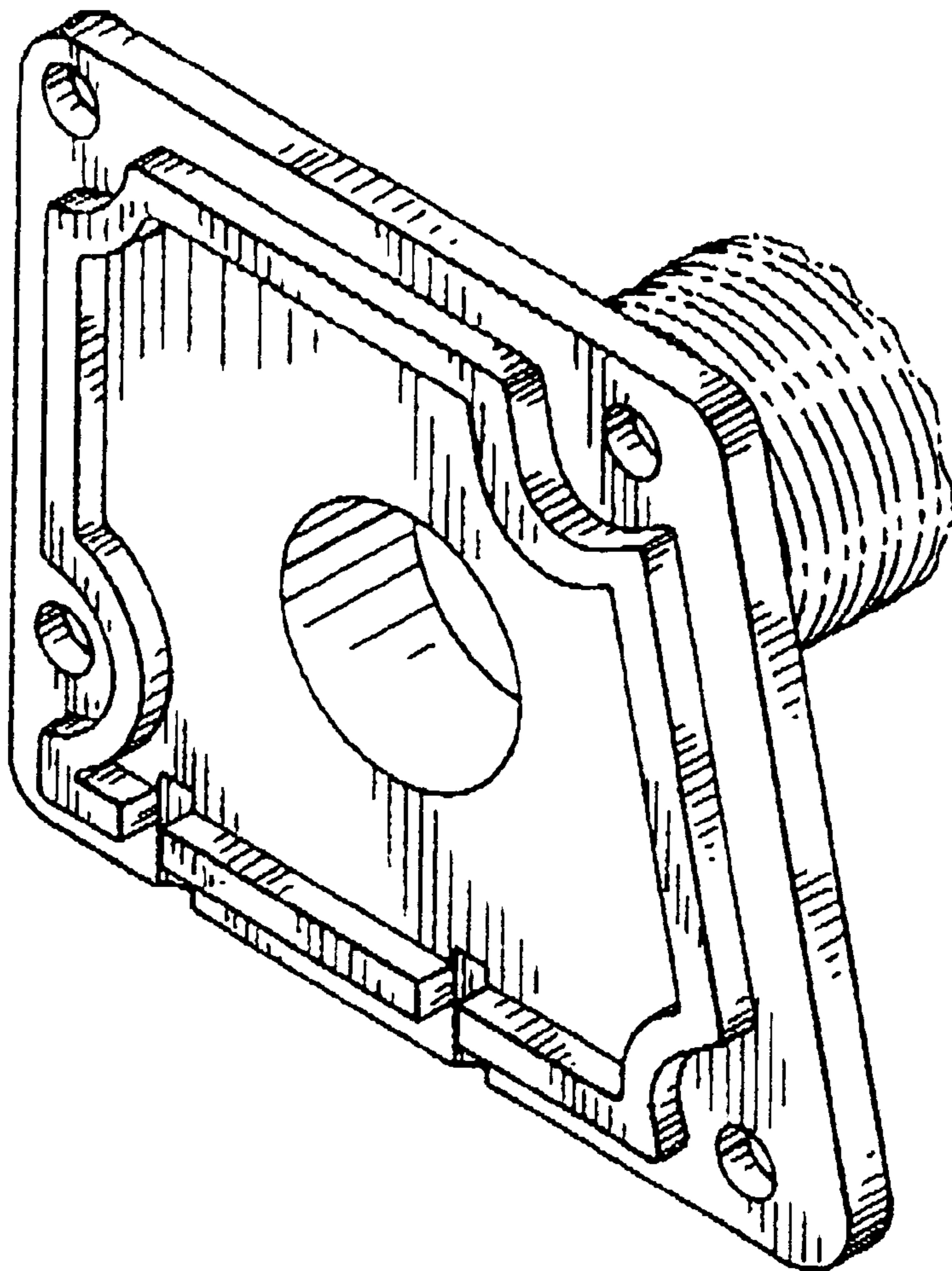
The broken line environmental showing is for illustrative purposes only and forms no part of the claimed design.

U.S. PATENT DOCUMENTS

6,133,529 A * 10/2000 Gretz 174/65 R

D458,592 S * 6/2002 Gust et al. D13/155

1 Claim, 2 Drawing Sheets



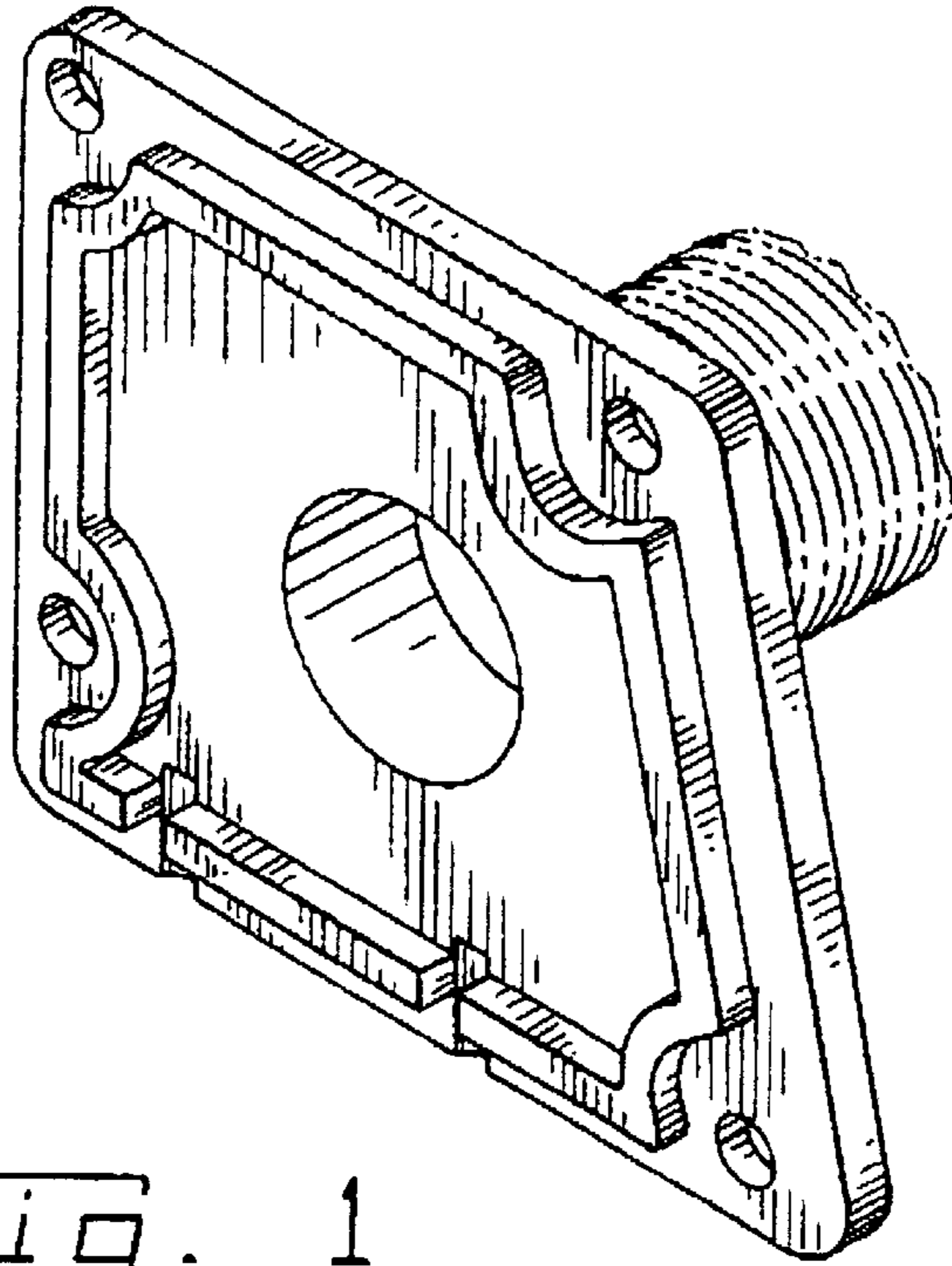


Fig. 1

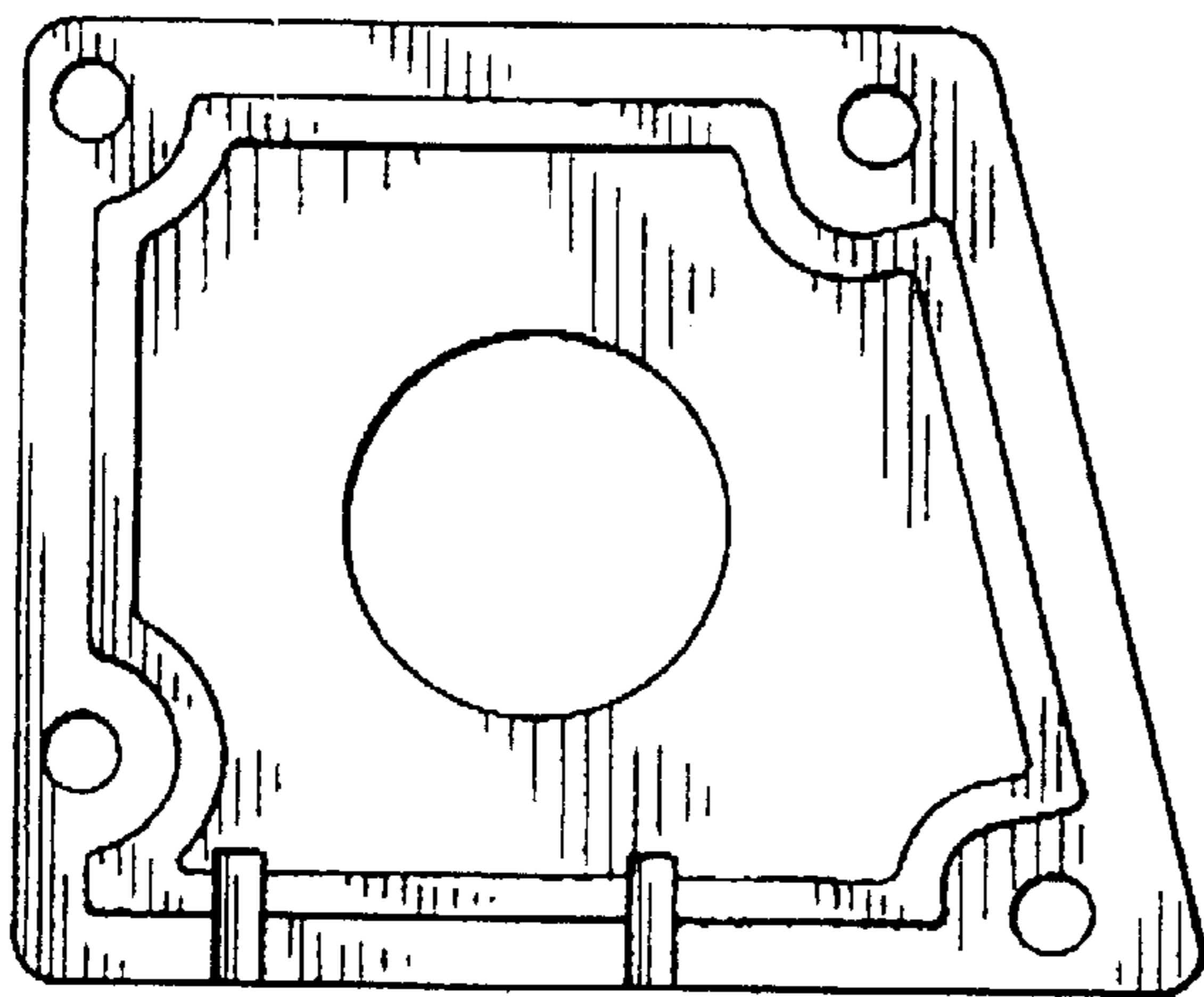


Fig. 2

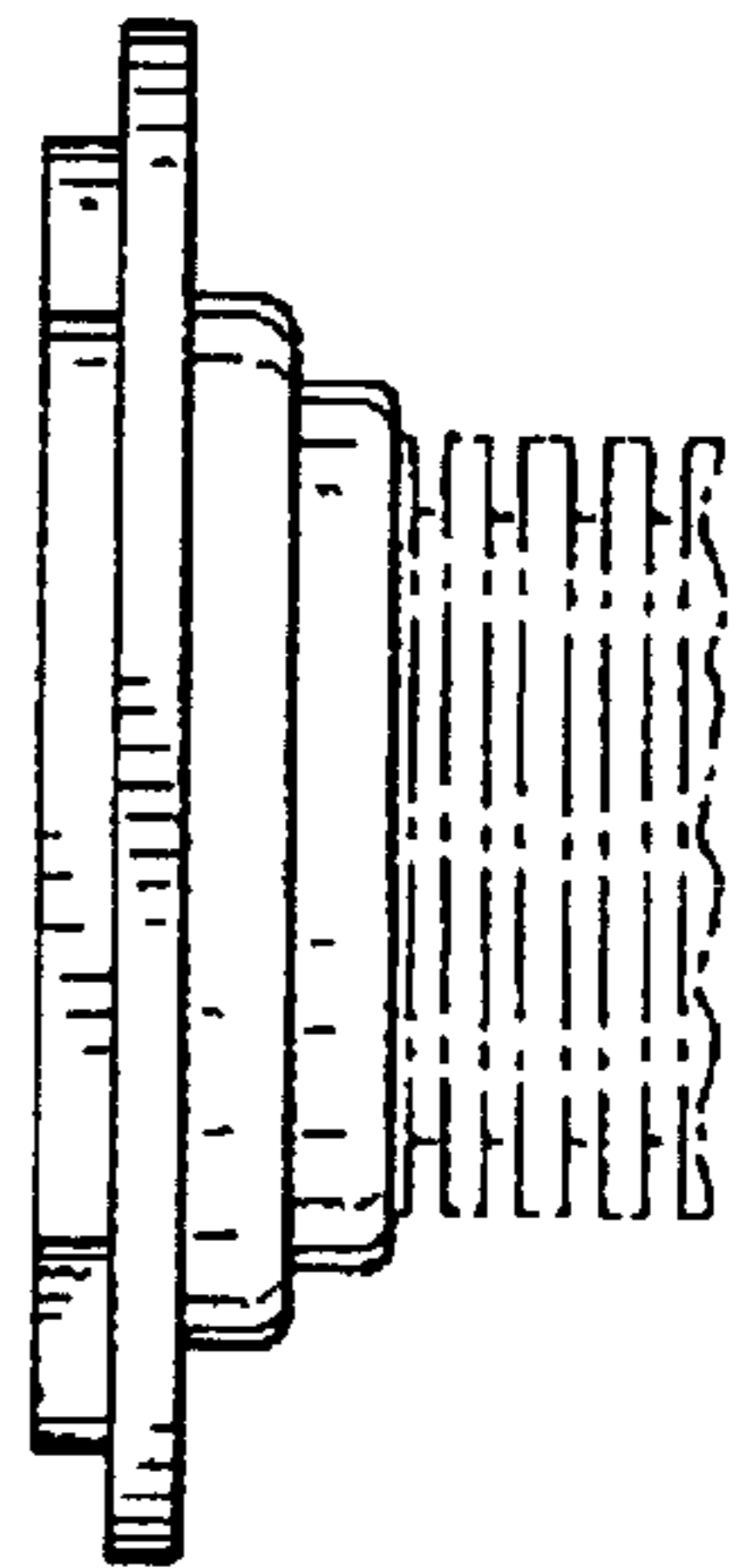


Fig. 3

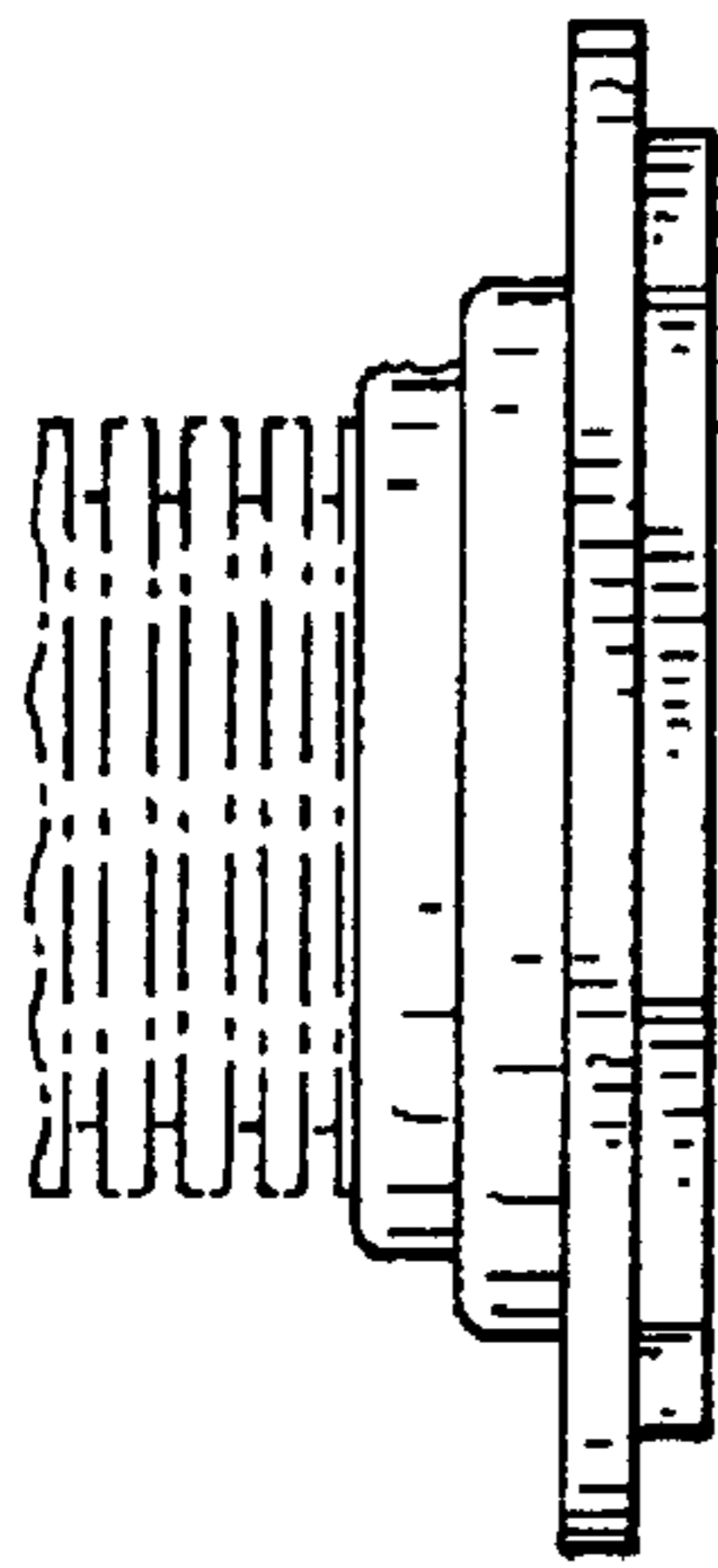


Fig. 4

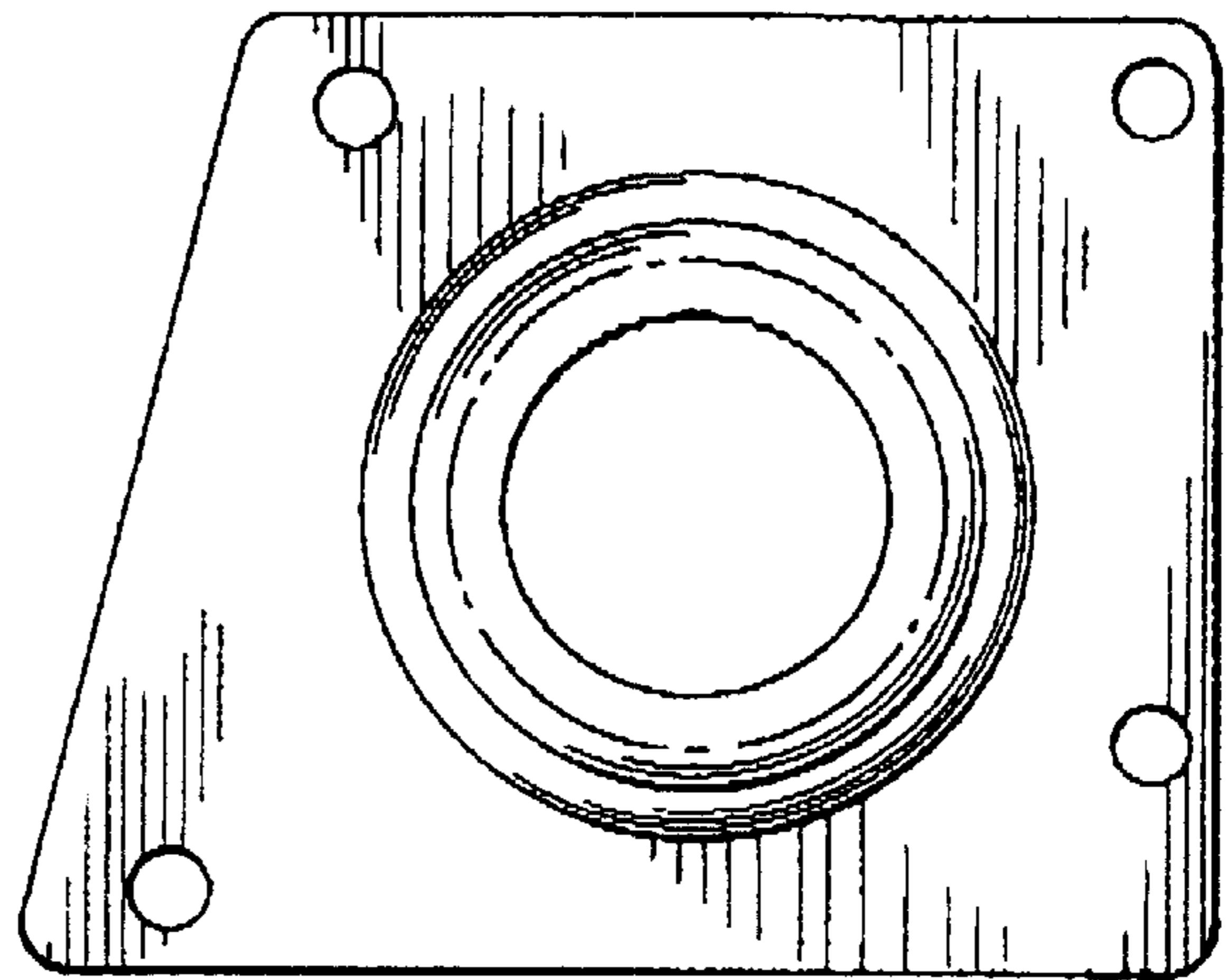


Fig. 5

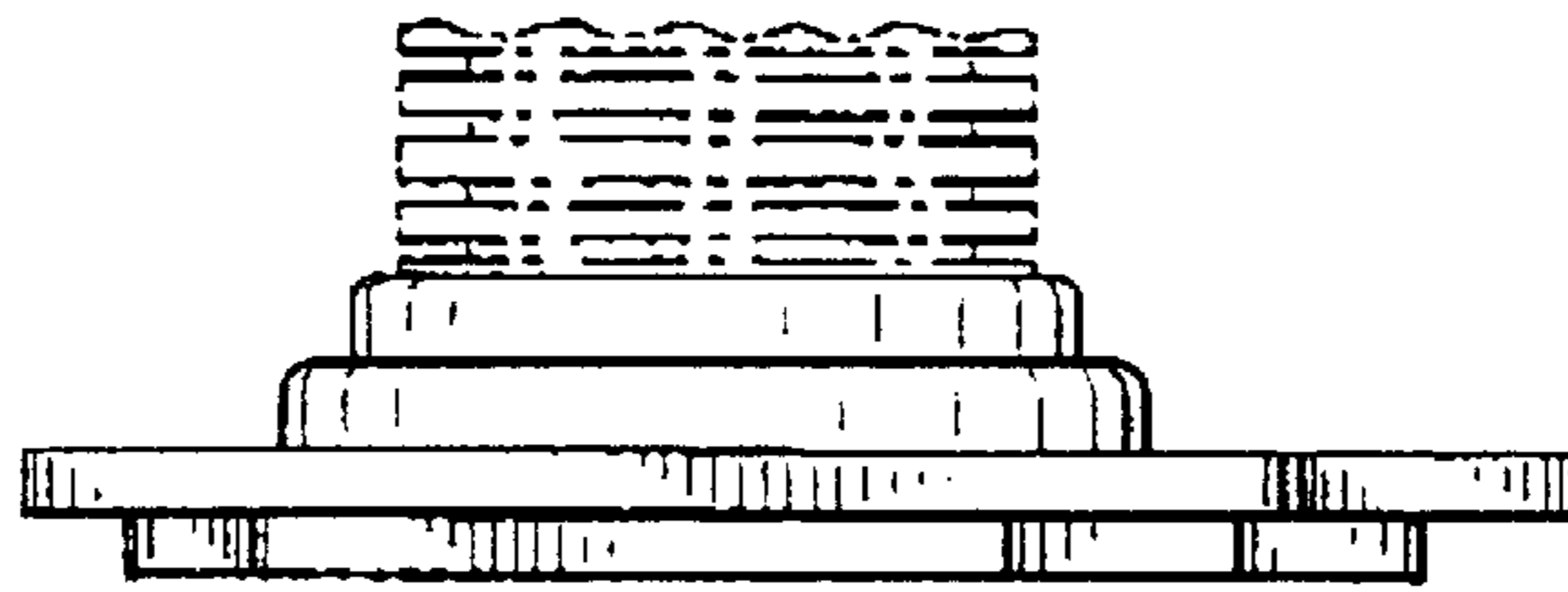


Fig. 6

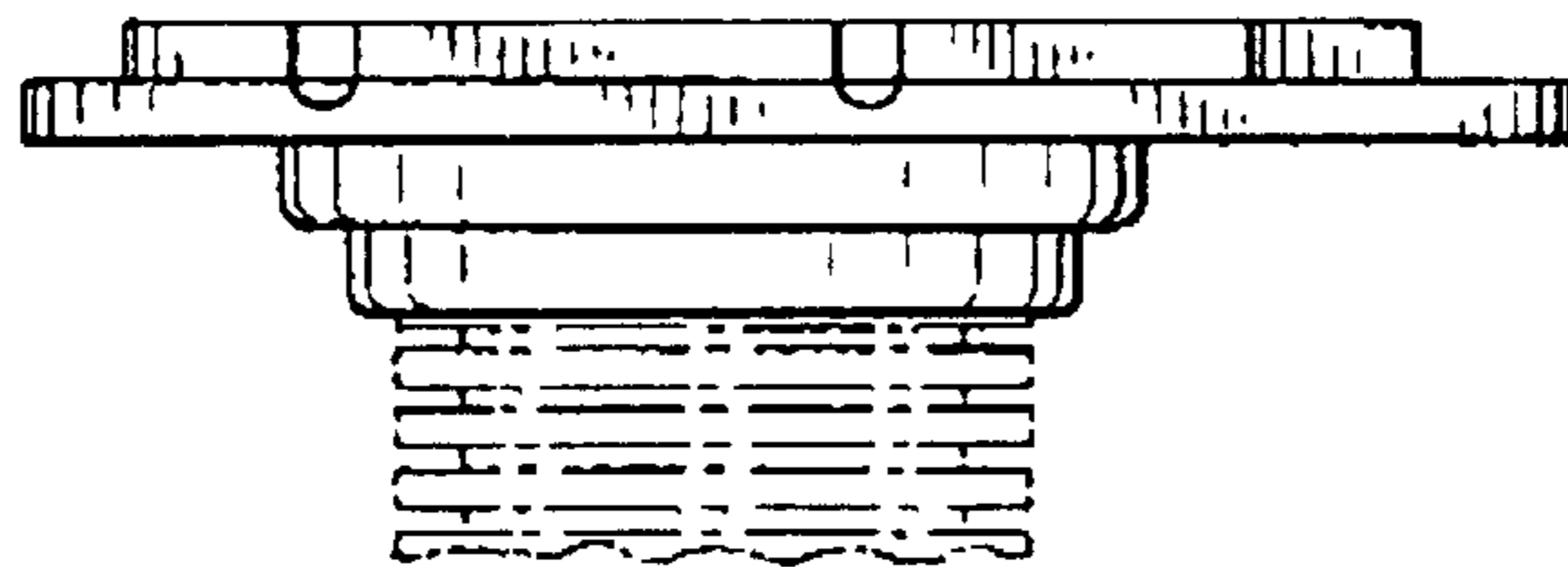


Fig. 7