



US00D473522S

(12) **United States Design Patent**
Dyer et al.

(10) **Patent No.:** **US D473,522 S**

(45) **Date of Patent:** **** Apr. 22, 2003**

(54) **RACEWAY FITTING**

(75) Inventors: **Edward P. Dyer**, Germantown, WI (US); **Mark E. Federspiel**, West Bend, WI (US)

(73) Assignee: **HellermannTyton Corporation**, Milwaukee, WI (US)

(**) Term: **14 Years**

(21) Appl. No.: **29/163,660**

(22) Filed: **Jul. 10, 2002**

Related U.S. Application Data

(62) Division of application No. 29/151,173, filed on Oct. 31, 2001.

(51) **LOC (7) Cl.** **13-03**

(52) **U.S. Cl.** **D13/155**

(58) **Field of Search** D13/155, 156, D13/173, 184; 52/220.7, 287.1; 138/92, 95, 155, 156; 174/48, 49, 68.3, 72 C, 95, 101

(56) **References Cited**

U.S. PATENT DOCUMENTS

2,317,964 A	4/1943	O'Brien	
2,440,668 A	4/1948	Tarbox	
3,060,069 A	10/1962	Sindars	
D200,049 S	* 1/1965	Hudson D13/155
3,403,220 A	9/1968	Riedel et al.	
3,546,360 A	12/1970	Bailey	
3,554,236 A	1/1971	Rhodes	
3,761,603 A	9/1973	Hays et al.	
3,763,401 A	10/1973	Ransom	
3,786,171 A	1/1974	Shira	
3,890,459 A	6/1975	Caveney	
3,906,146 A	9/1975	Taylor	
4,166,195 A	8/1979	Schwab	
4,278,834 A	7/1981	Boundy	
4,391,426 A	7/1983	Gothberg	
4,530,865 A	7/1985	Sprenger	
4,602,124 A	7/1986	Santucci	

4,619,488 A	* 10/1986	Martin 174/68.3
4,627,469 A	12/1986	Buard	
4,627,679 A	12/1986	Billette de Villemeur et al.	
4,629,826 A	12/1986	Thomas	
4,640,314 A	2/1987	Mock	
D295,168 S	4/1988	Pisciotta	
4,766,662 A	8/1988	Bradshaw et al.	
4,864,082 A	9/1989	Ono et al.	
4,879,955 A	11/1989	Moll et al.	
4,891,471 A	1/1990	Ono et al.	
4,907,767 A	3/1990	Corsi et al.	
4,952,163 A	8/1990	Dola et al.	
4,967,799 A	11/1990	Bradshaw et al.	
5,024,614 A	* 6/1991	Dola et al. 174/48
D318,269 S	7/1991	Hassel et al.	
5,086,195 A	2/1992	Claisse	
5,089,667 A	2/1992	Goussin et al.	
5,161,580 A	11/1992	Klug	

(List continued on next page.)

OTHER PUBLICATIONS

Catalog No. 0300, TytonHellermann Corporation, pp. 1-3, and 38-47 (date unknown).

Primary Examiner—Robert M. Spear

(74) *Attorney, Agent, or Firm*—Ryan Kromholz & Manion, S.C.

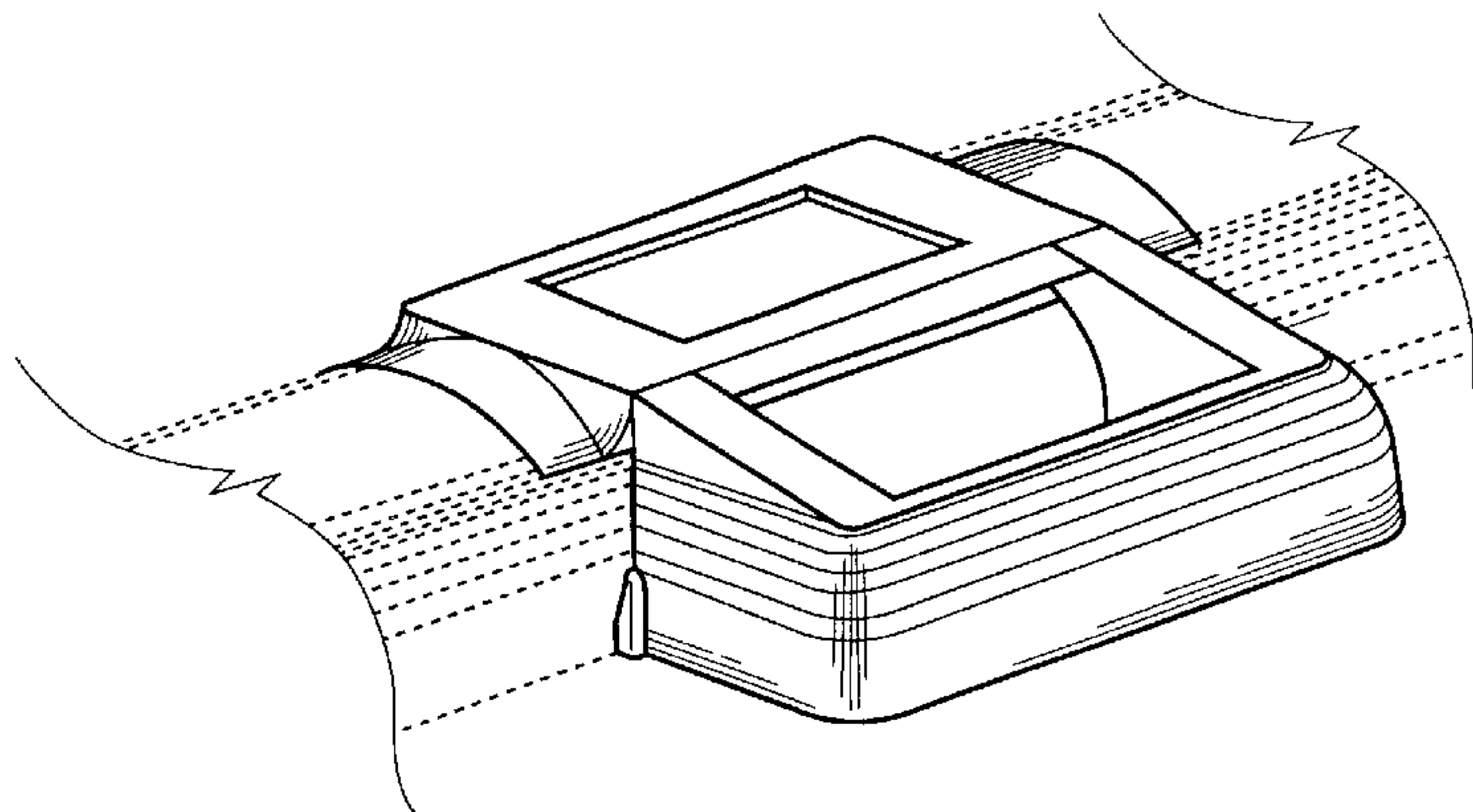
(57) **CLAIM**

The ornamental design for a raceway fitting, as shown and described.

DESCRIPTION

FIG. 1 is a perspective view of a raceway fitting showing my new design;
FIG. 2 is a front elevational view thereof, the rear elevational view being a mirror image thereof;
FIG. 3 is a right side elevational view thereof;
FIG. 4 is a left side elevational view thereof;
FIG. 5 is a top plan view thereof; and,
FIG. 6 is a bottom plan view thereof.
The broken line showing in the Figures is for illustrative purposes only and forms no part of the claimed design.

1 Claim, 2 Drawing Sheets



US D473,522 S

Page 2

U.S. PATENT DOCUMENTS

D331,916 S	12/1992	Dubruco	5,998,732 A	* 12/1999	Caveney et al.	174/48
5,184,441 A	2/1993	Balfanz, Jr.	D419,962 S	* 2/2000	Caveney	D13/155
D333,652 S	3/1993	Feldman et al.	6,037,543 A	3/2000	Nicoli et al.	
5,206,972 A	5/1993	Nudelmont et al.	6,084,180 A	7/2000	DeBartolo, Jr. et al.	
5,287,666 A	2/1994	Frascaroli et al.	D429,225 S	8/2000	Halliday	
D348,432 S	7/1994	Dubruco	6,107,575 A	8/2000	Miranda	
5,336,849 A	8/1994	Whitney	6,107,576 A	8/2000	Morton et al.	
5,359,143 A	10/1994	Simon	D430,543 S	9/2000	Rohder	
5,399,812 A	3/1995	Woszczyna et al.	6,119,731 A	9/2000	Nakagawa et al.	
D371,343 S	7/1996	Loftus	6,180,878 B1	1/2001	Gretz	
D378,731 S	4/1997	Kopish	6,188,024 B1	2/2001	Benito-Navazo	
D379,453 S	* 5/1997	Fabrizi	6,211,460 B1	4/2001	Hull et al.	
			6,262,365 B1	7/2001	Ewer	
5,682,926 A	11/1997	Perttula	6,323,421 B1	* 11/2001	Pawson et al.	174/48
5,756,933 A	* 5/1998	Pitchford et al.	6,335,484 B1	* 1/2002	Jarry et al.	174/48
			6,342,675 B1	* 1/2002	DeBartolo, Jr. et al.	174/50
5,792,992 A	8/1998	Handler	6,353,181 B1	* 3/2002	Jarry et al.	174/49
5,802,672 A	9/1998	Rohder	6,362,420 B1	3/2002	Bacouelle et al.	
D401,224 S	11/1998	Mollenkopf et al.	6,384,336 B1	5/2002	VanderVelde et al.	
D401,566 S	11/1998	Gesmondi et al.	6,437,243 B1	8/2002	VanderVelde et al.	
D402,262 S	12/1998	Scherer et al.	6,437,244 B1	8/2002	Vander Velde	
D402,263 S	12/1998	Scherer et al.	D462,253 S	9/2002	Caveney et al.	
D402,264 S	12/1998	Carlson et al.	6,459,038 B1	10/2002	Waszak et al.	
5,861,576 A	1/1999	Langston et al.				
D413,305 S	8/1999	West				
D413,306 S	8/1999	Scherer et al.				

* cited by examiner

Fig. 1

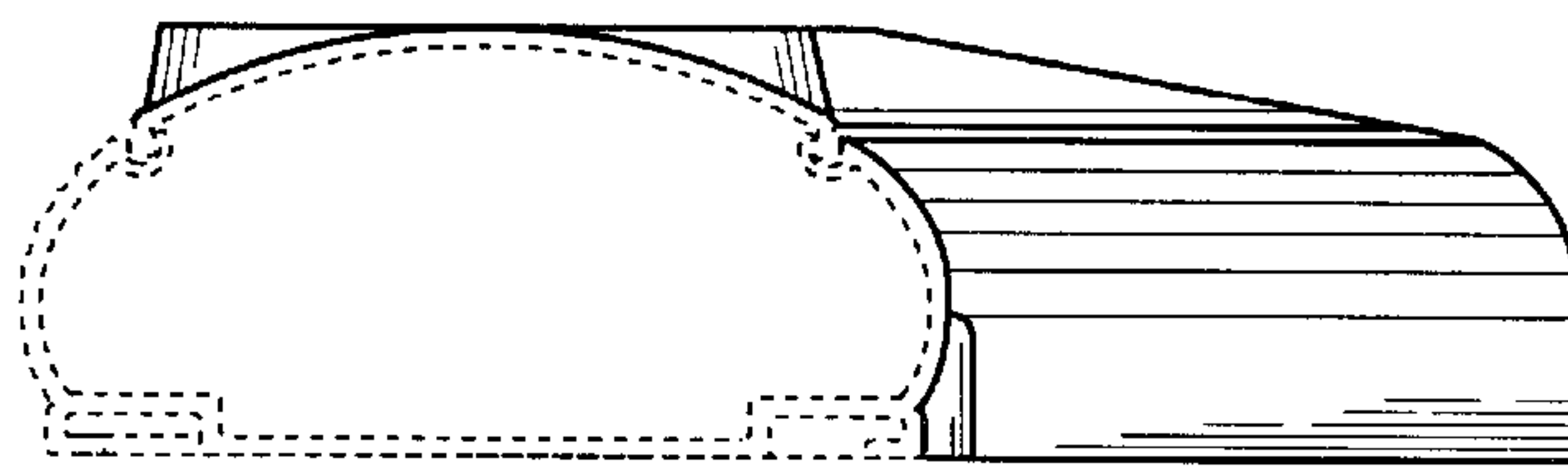
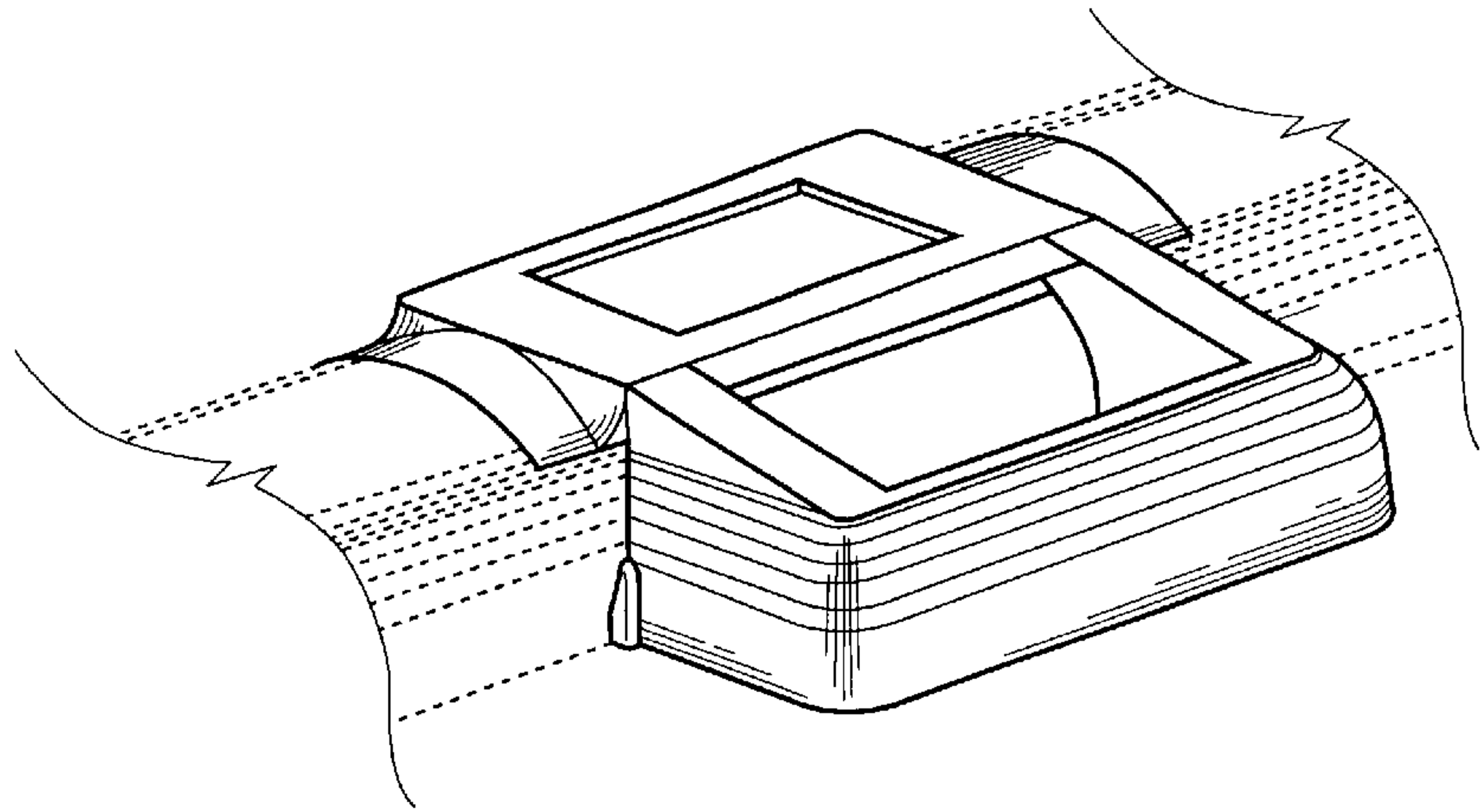


Fig. 2

Fig. 3

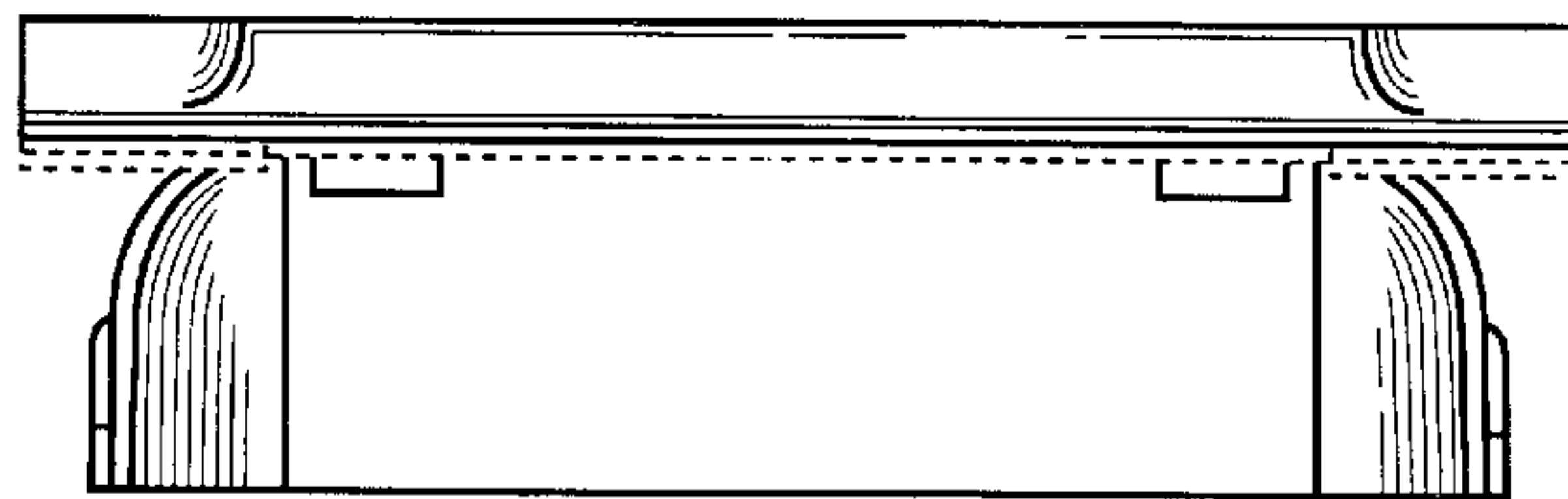


Fig. 4

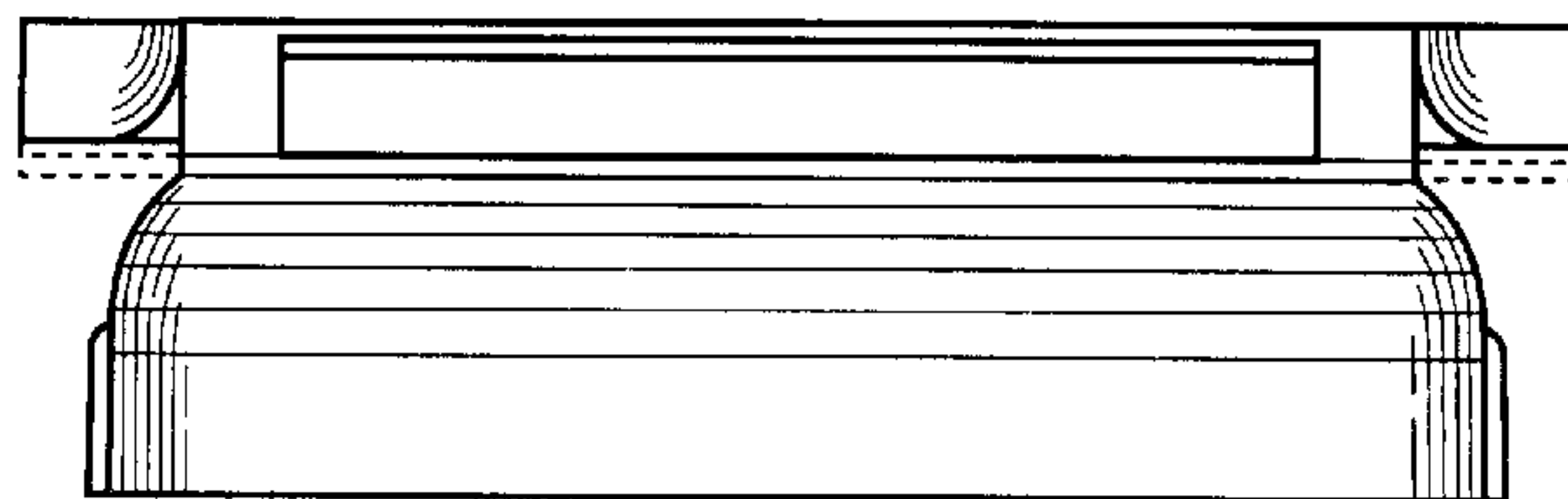


Fig. 5

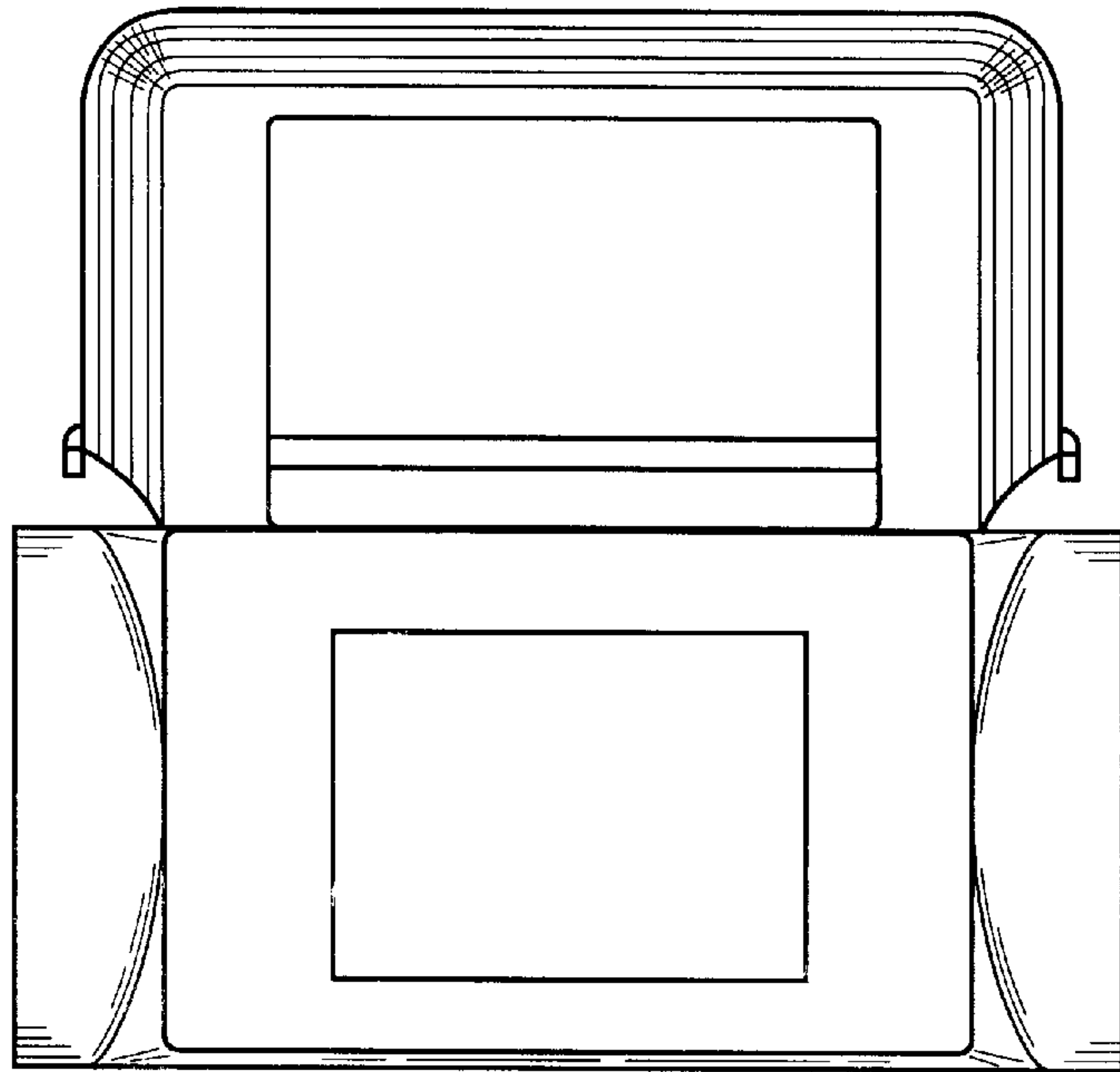


Fig. 6

