



US00D473519S

(12) **United States Design Patent**
Borst

(10) **Patent No.:** **US D473,519 S**

(45) **Date of Patent:** **** Apr. 22, 2003**

(54) **CLAMPING CONNECTOR**

(74) *Attorney, Agent, or Firm*—Choate, Hall & Stewart

(75) **Inventor:** **Joachim Borst**, Donaueschingen (DE)

(57) **CLAIM**

(73) **Assignee:** **RIA-BTR Produktions GmbH**,
Blumberg (DE)

The ornamental design for a clamping connector, as shown and described.

(**) **Term:** **14 Years**

DESCRIPTION

(21) **Appl. No.:** **29/142,109**

FIG. 1 is a front right view of a clamping connector showing my new design;

(22) **Filed:** **May 18, 2001**

FIG. 2 is a bottom view thereof;

(30) **Foreign Application Priority Data**

FIG. 3 is a front left view thereof;

Nov. 20, 2000 (DE) 100 57 428

FIG. 4 is a top view thereof;

(51) **LOC (7) Cl.** **13-03**

FIG. 5 is a front right view of a single module of the clamping connector showing my new design;

(52) **U.S. Cl.** **D13/147; D13/149**

FIG. 6 is a bottom view thereof;

(58) **Field of Search** **D13/147, 149,**
D13/151; 439/409, 709, 715, 716, 717;
361/823

FIG. 7 is a front left view thereof;

(56) **References Cited**

FIG. 8 is a top view thereof;

U.S. PATENT DOCUMENTS

5,149,278	A	*	9/1992	Waas et al.	439/412
5,681,182	A	*	10/1997	Reichle	439/417
5,836,791	A	*	11/1998	Waas et al.	439/709
6,027,379	A	*	2/2000	Hohorst	439/715
6,080,006	A	*	6/2000	Broder	439/409
6,188,560	B1	*	2/2001	Waas	361/119
6,222,717	B1	*	4/2001	Waas et al.	361/119
6,238,234	B1	*	5/2001	Sedlecky	439/709 X
6,254,421	B1	*	7/2001	Denovich et al.	439/409
6,315,595	B1	*	11/2001	LaPorte et al.	439/412
6,421,219	B1	*	7/2002	Brower	361/119

FIG. 9 is a front right view of a single module of the clamping connector with actuating levers removed showing my new design;

FIG. 10 is a bottom view thereof;

FIG. 11 is a front left view thereof;

FIG. 12 is a top view thereof;

FIG. 13 is a front right view of a clamping connector with actuating levers removed showing my new design;

FIG. 14 is a bottom view thereof;

FIG. 15 is a front left view thereof; and,

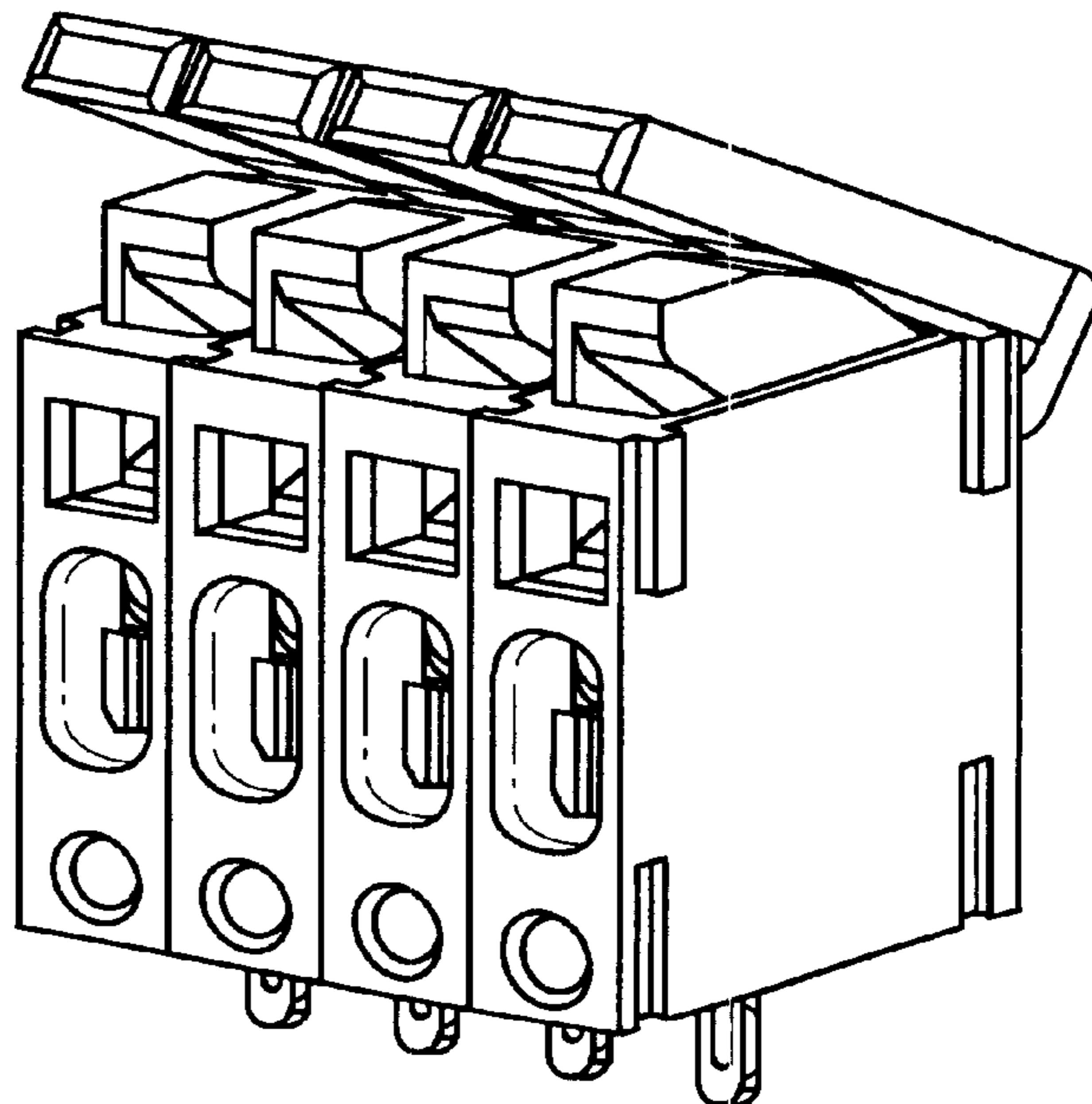
FIG. 16 is a top view thereof.

The claimed design is embodied in the appearance of the connector as it appears fully assembled in FIGS. 1 through 4. FIGS. 5 through 16 are shown in various stages of assembly in order to disclose aspects of the design that are not apparent from the views showing the fully assembled members.

* cited by examiner

Primary Examiner—Joel Sincavage

1 Claim, 4 Drawing Sheets



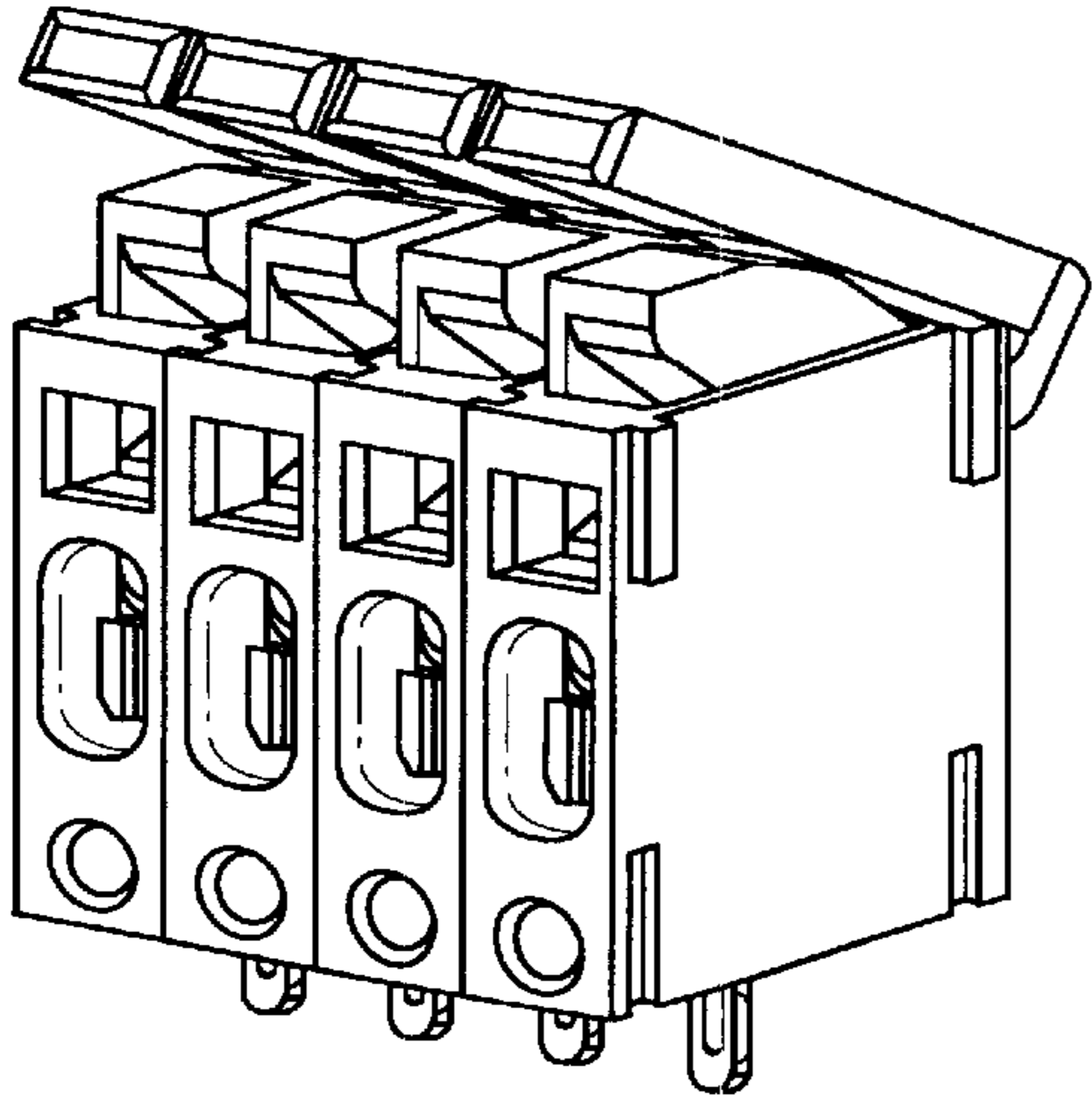


FIG. 1

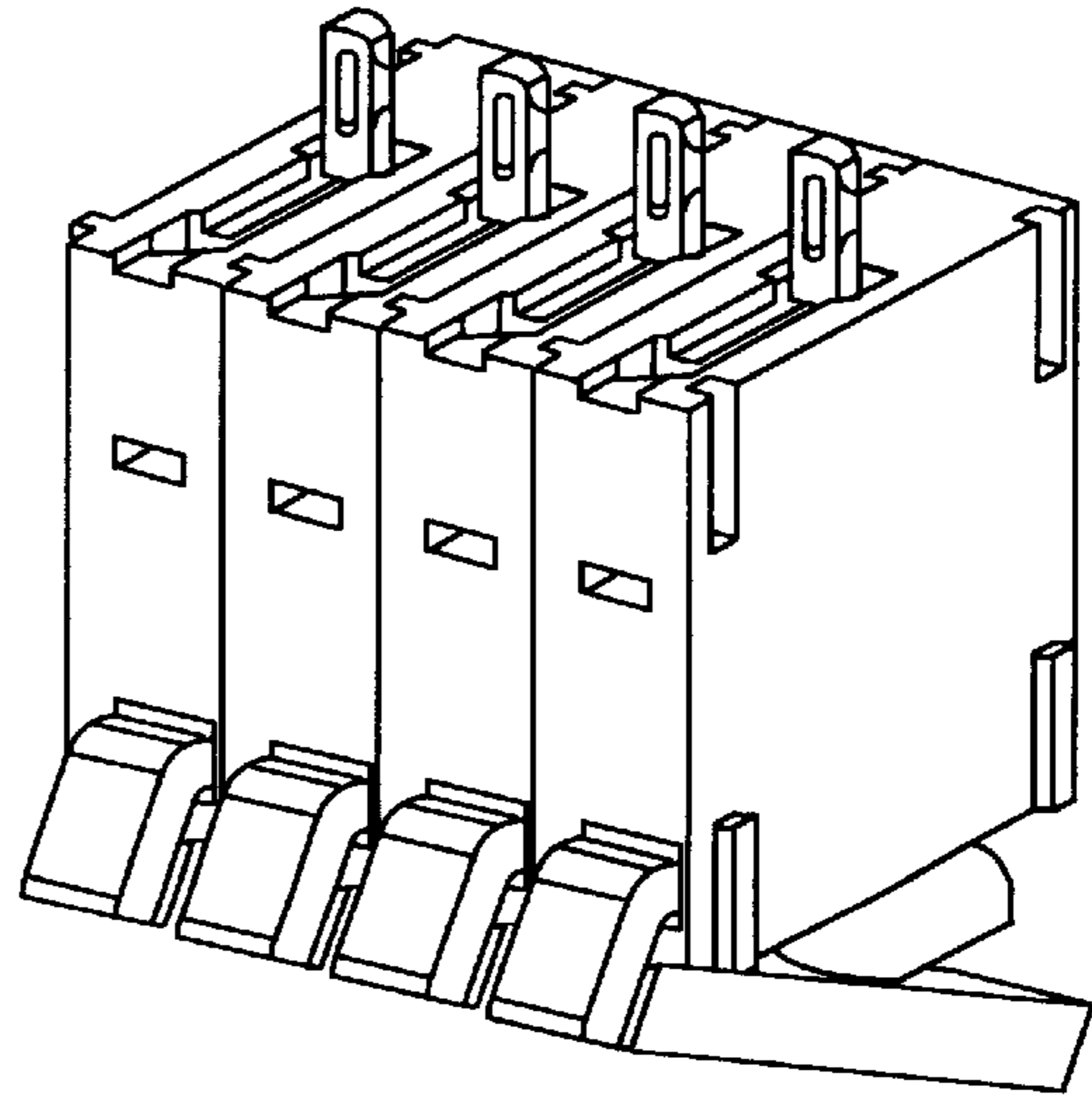


FIG. 2

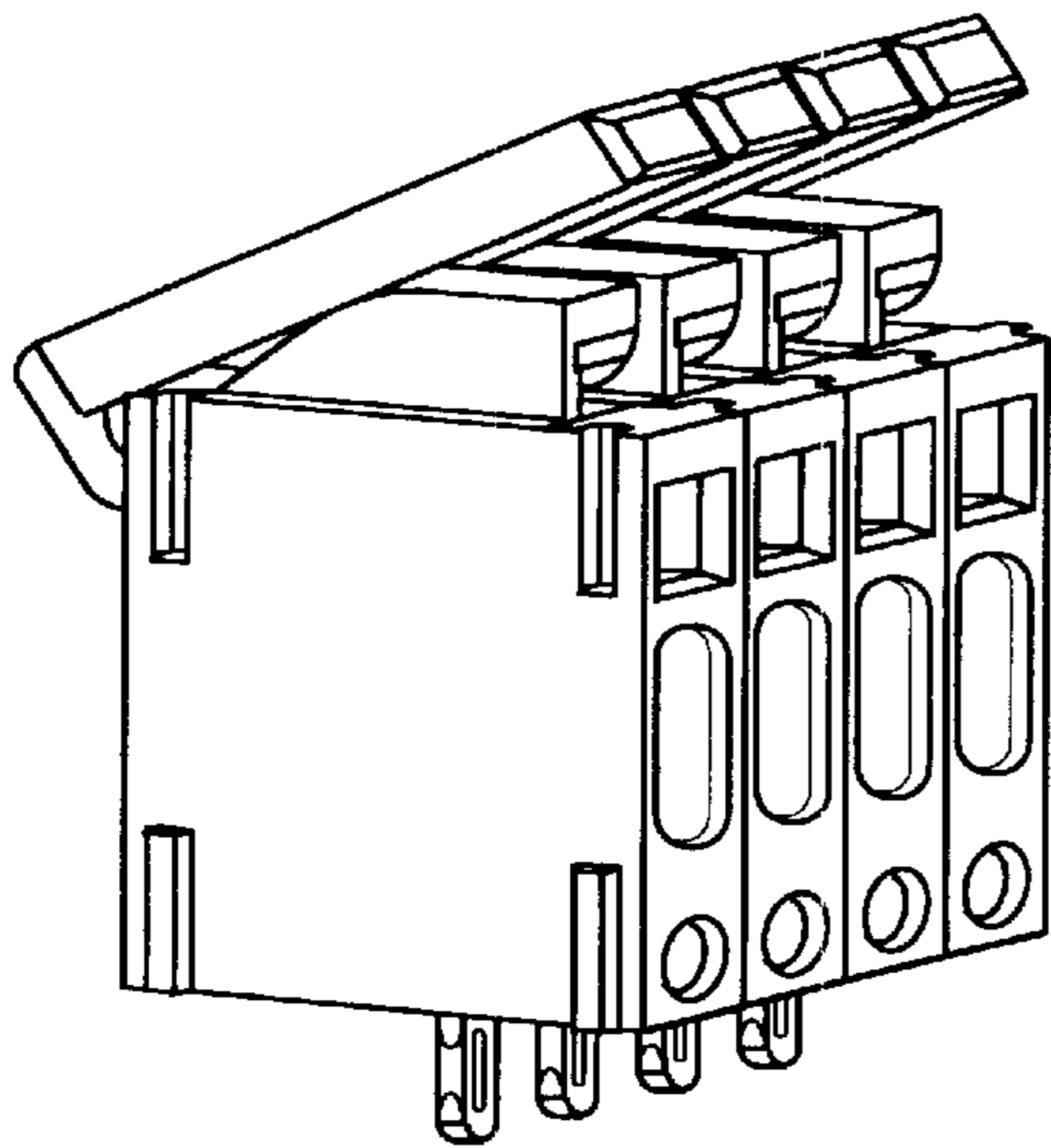


FIG. 3

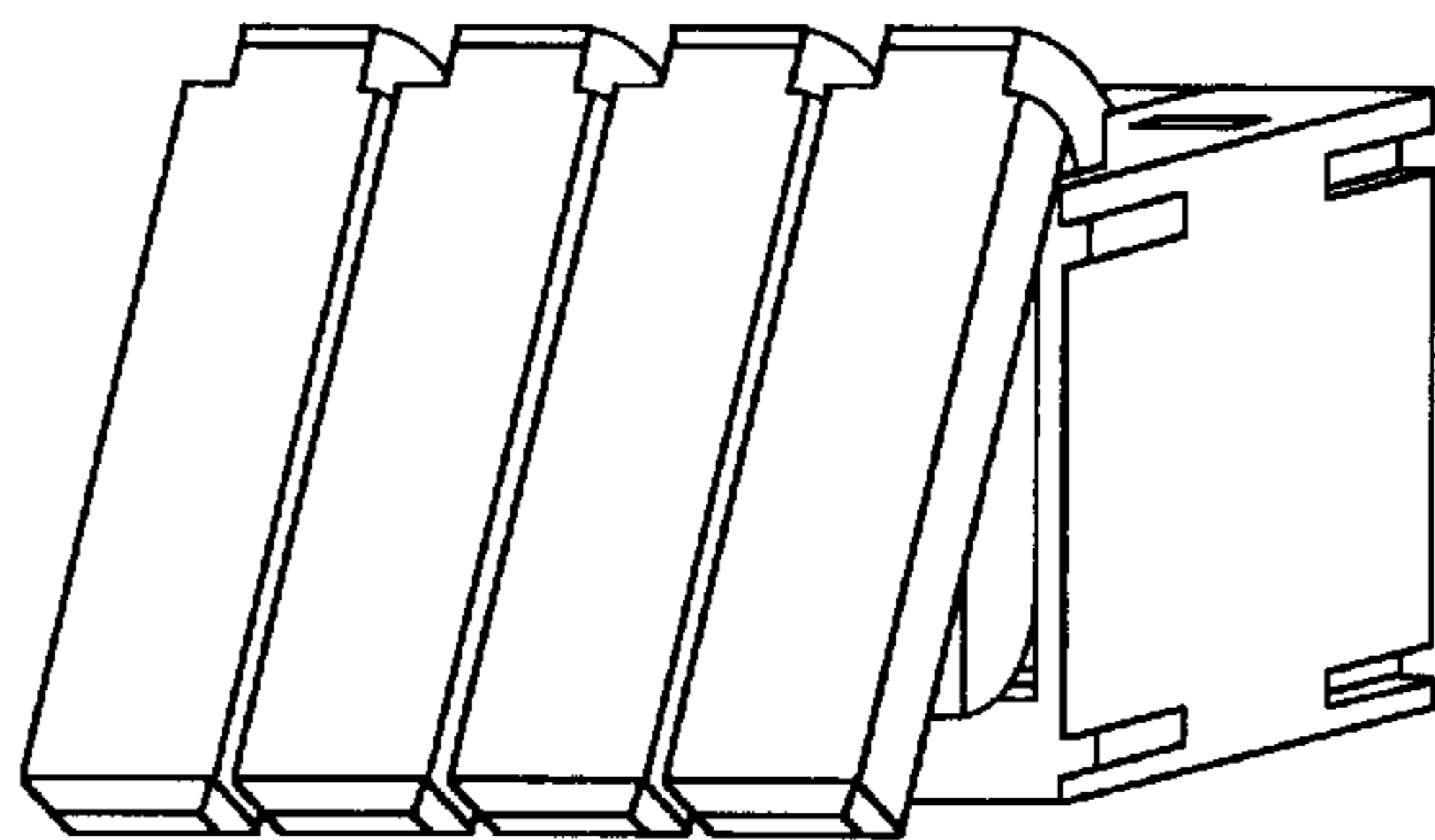


FIG. 4

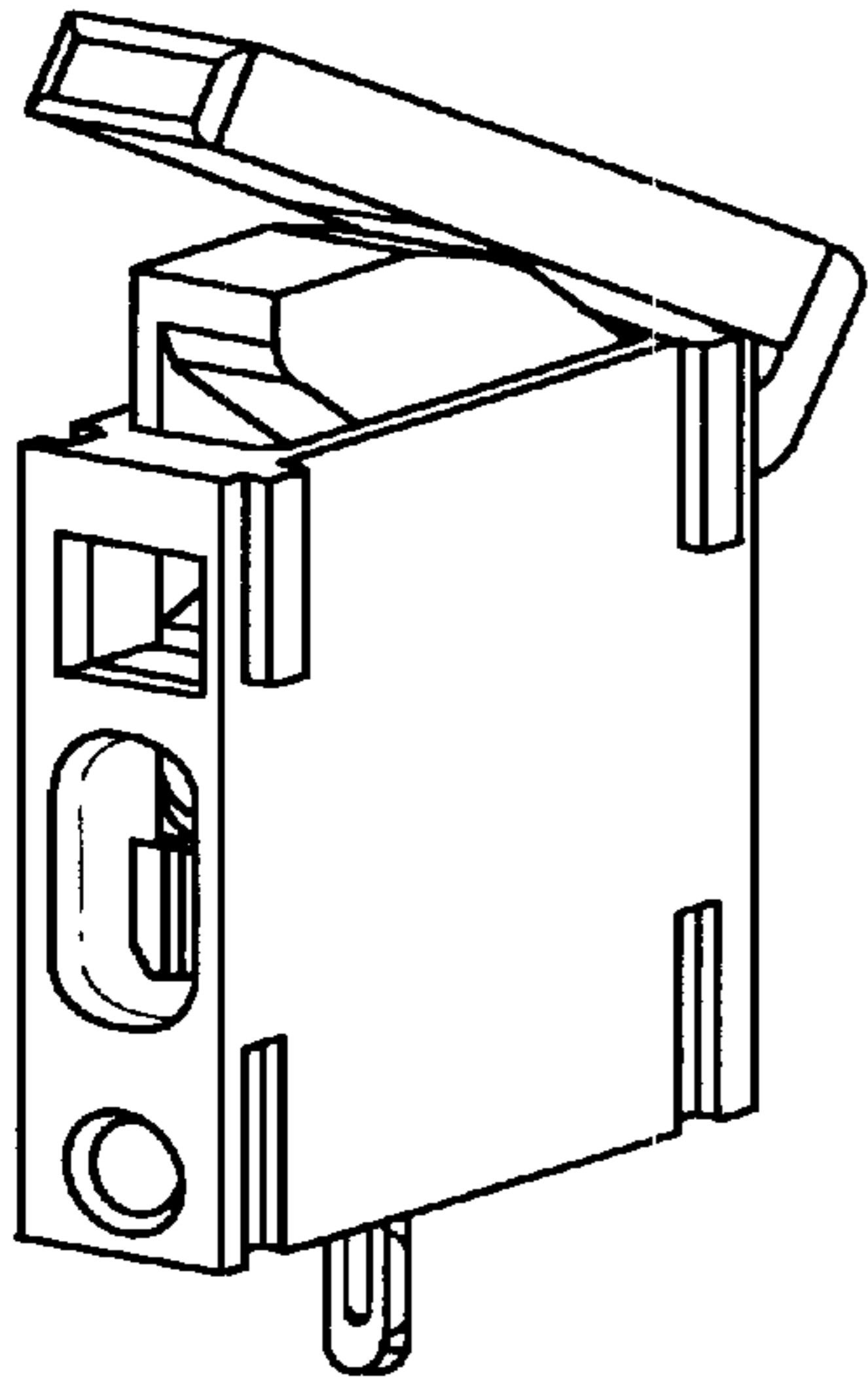


FIG. 5

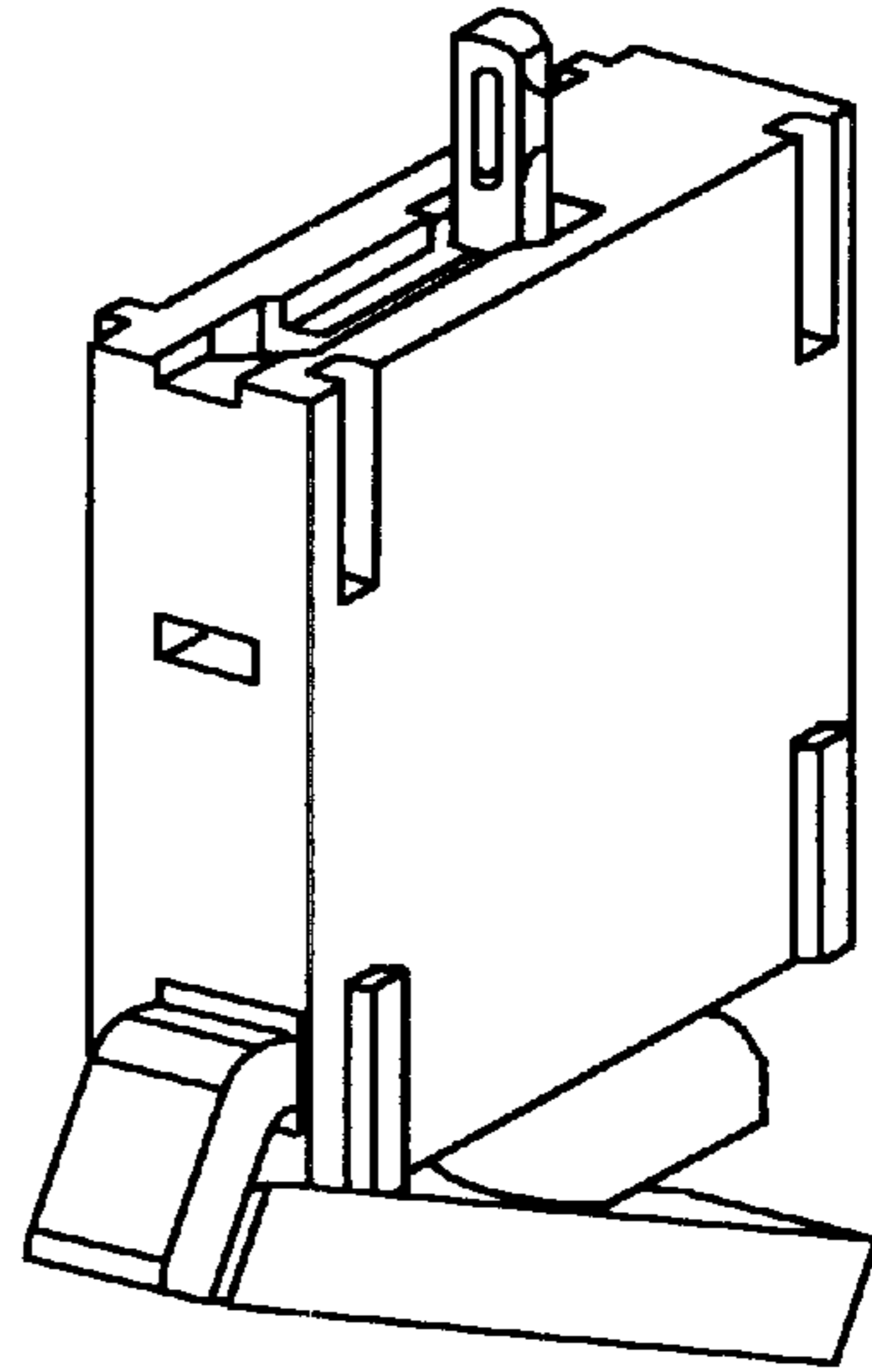


FIG. 6

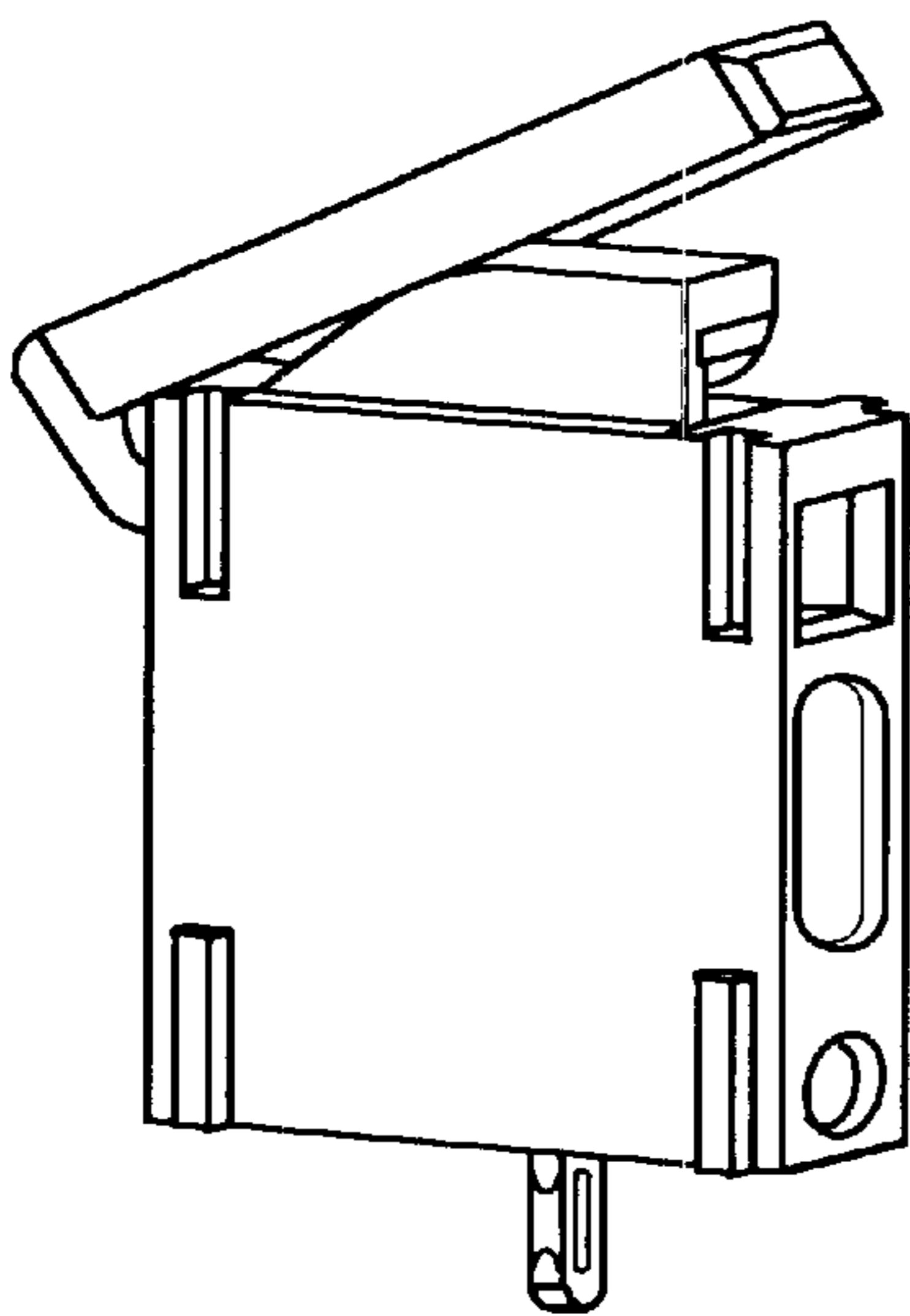


FIG. 7

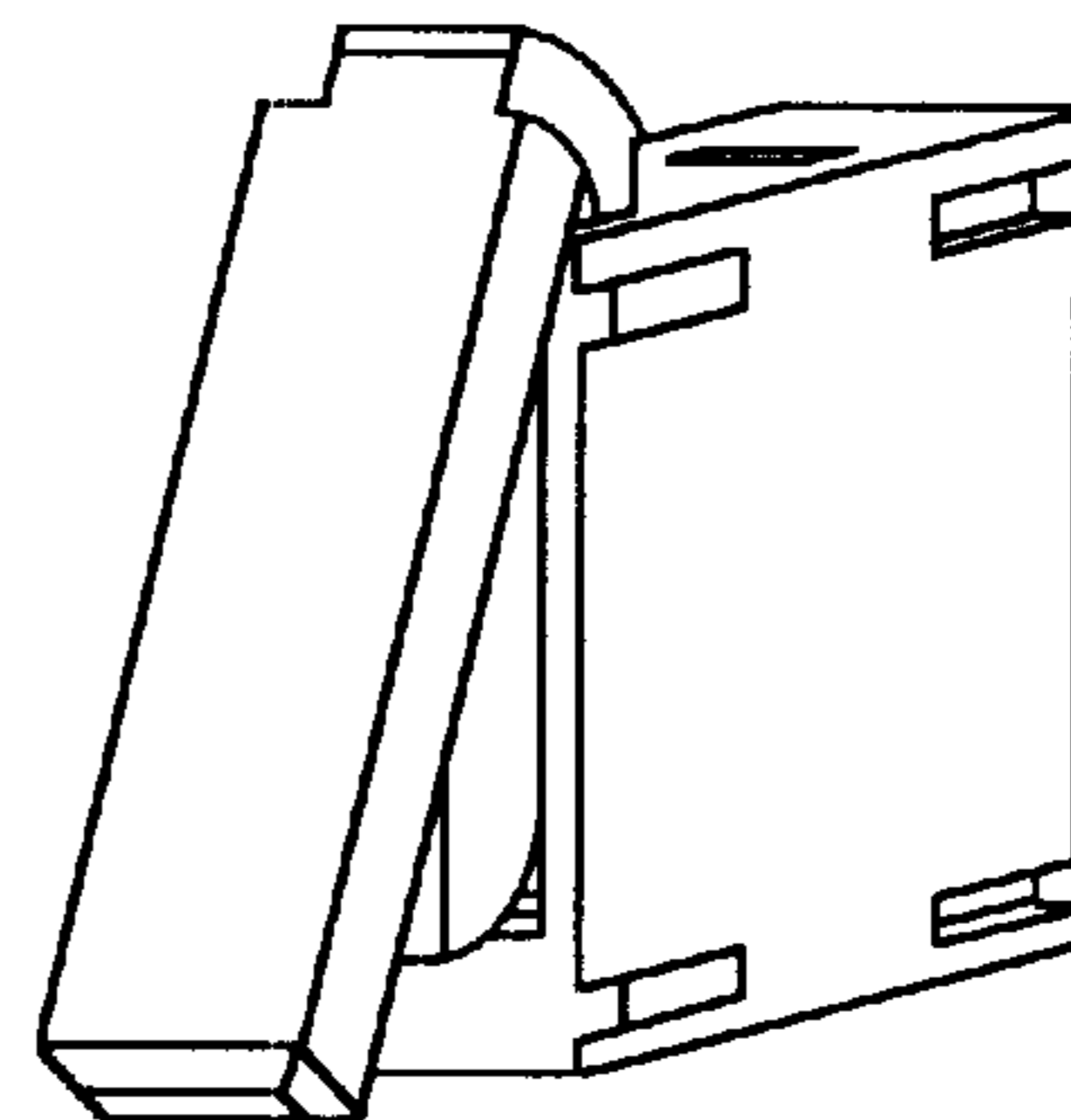


FIG. 8

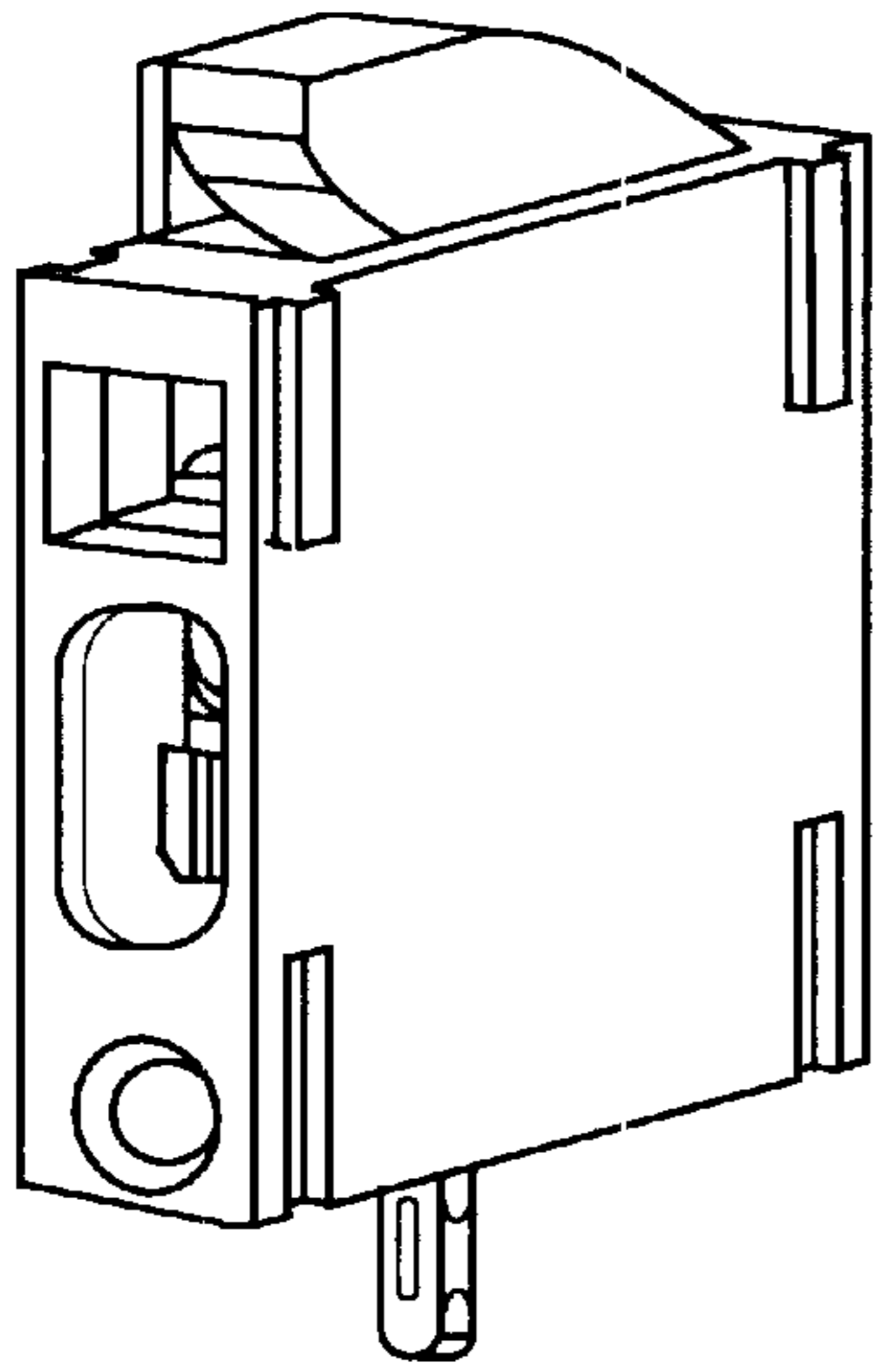


FIG. 9

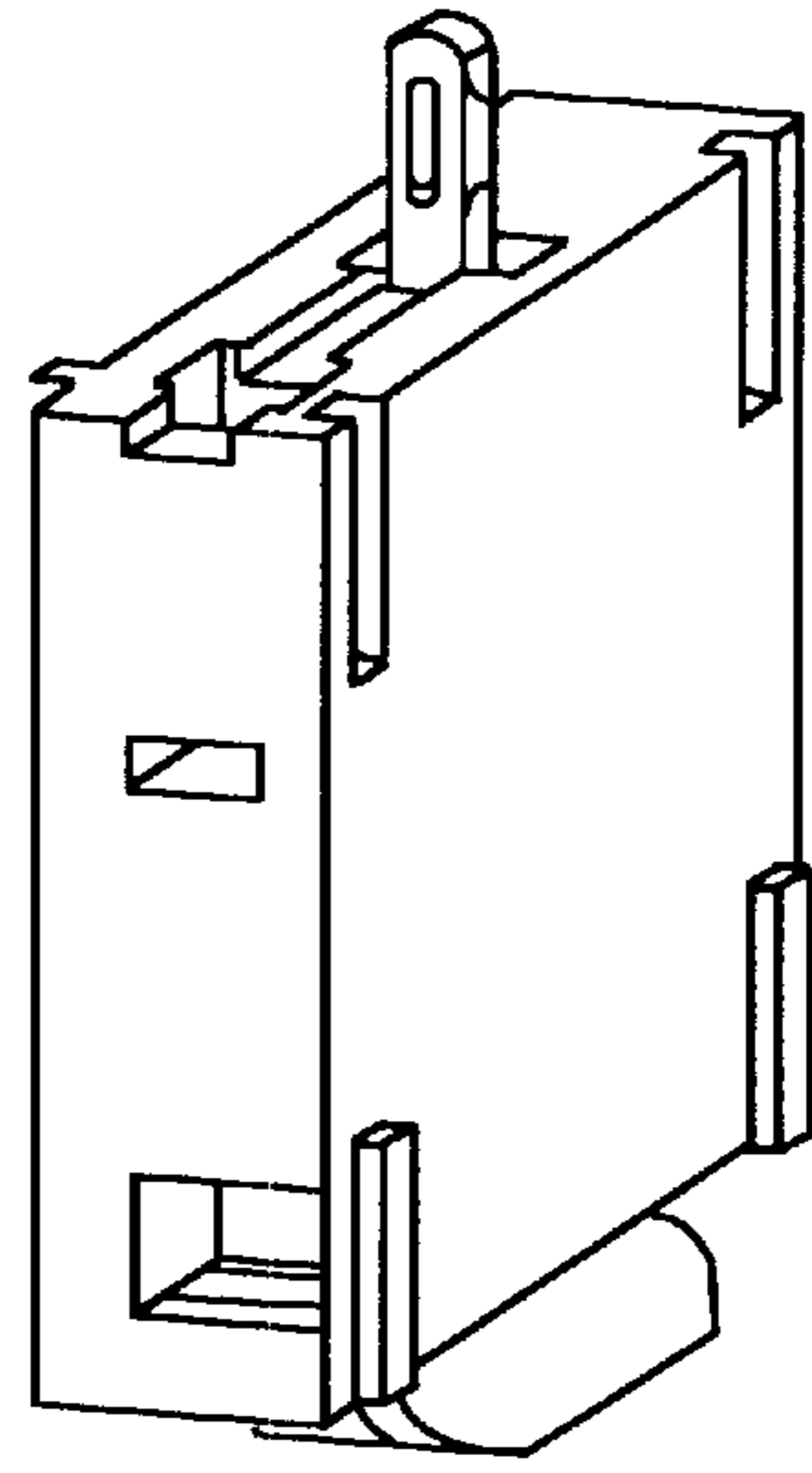


FIG. 10

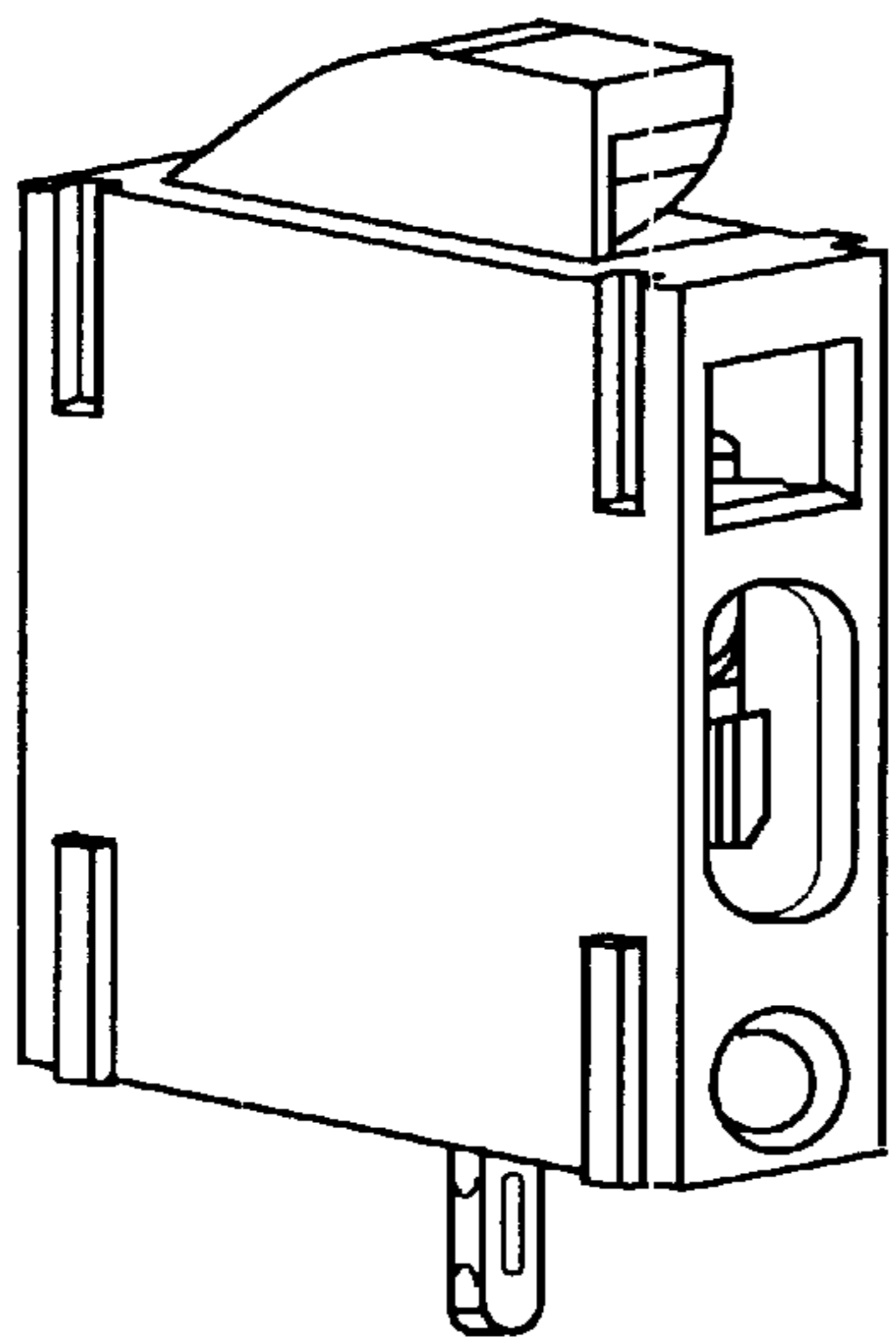


FIG. 11

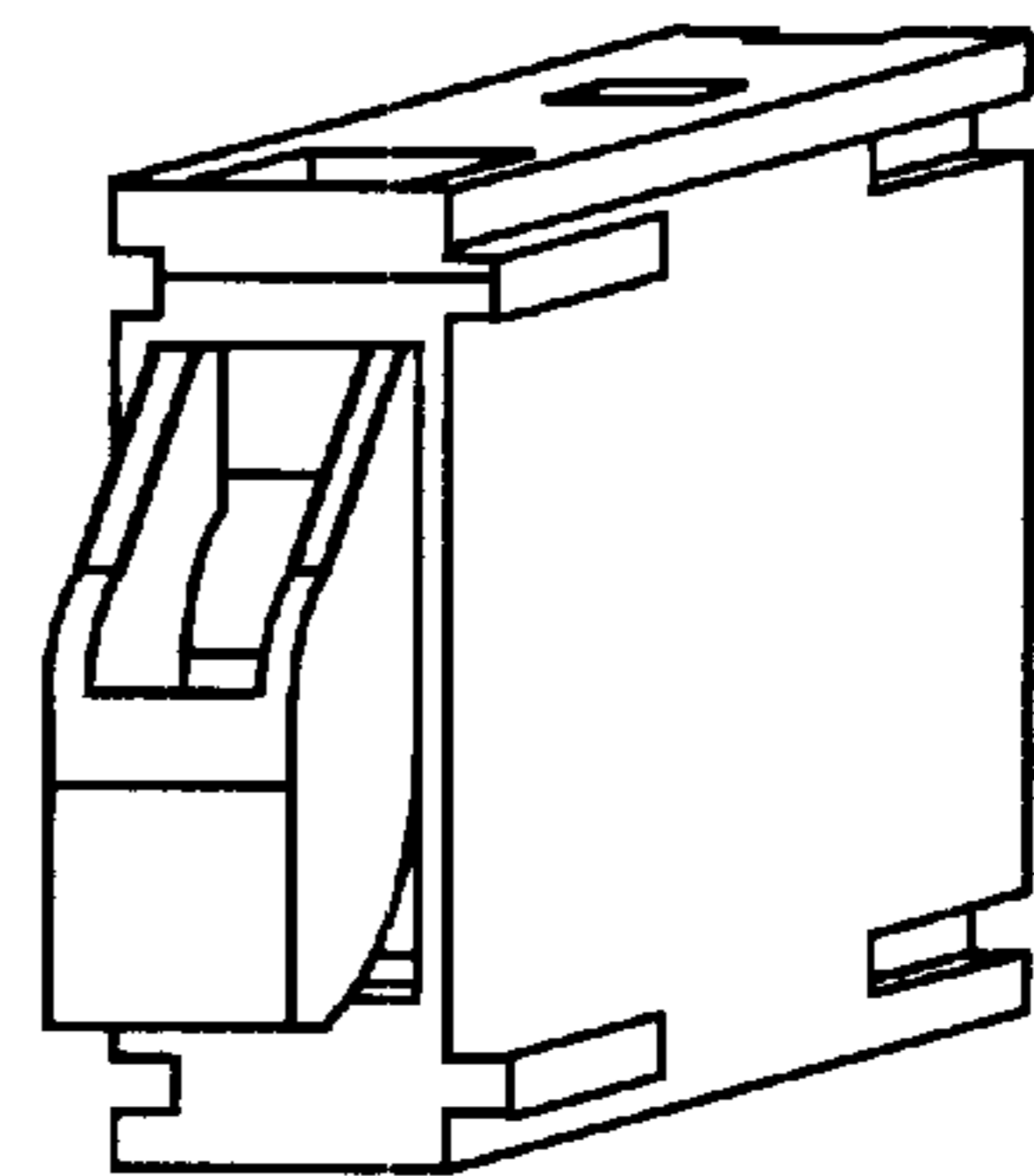


FIG. 12

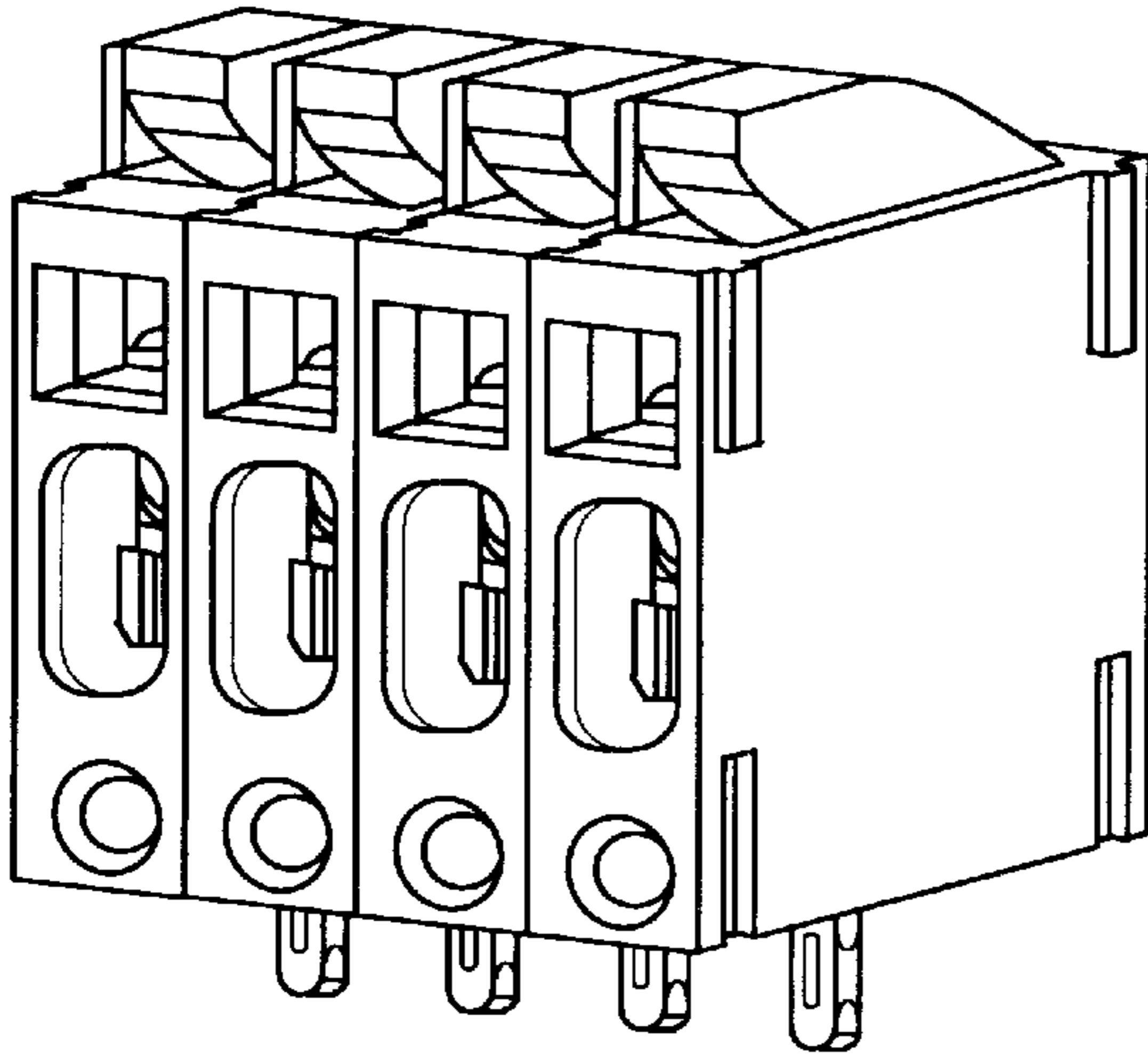


FIG. 13

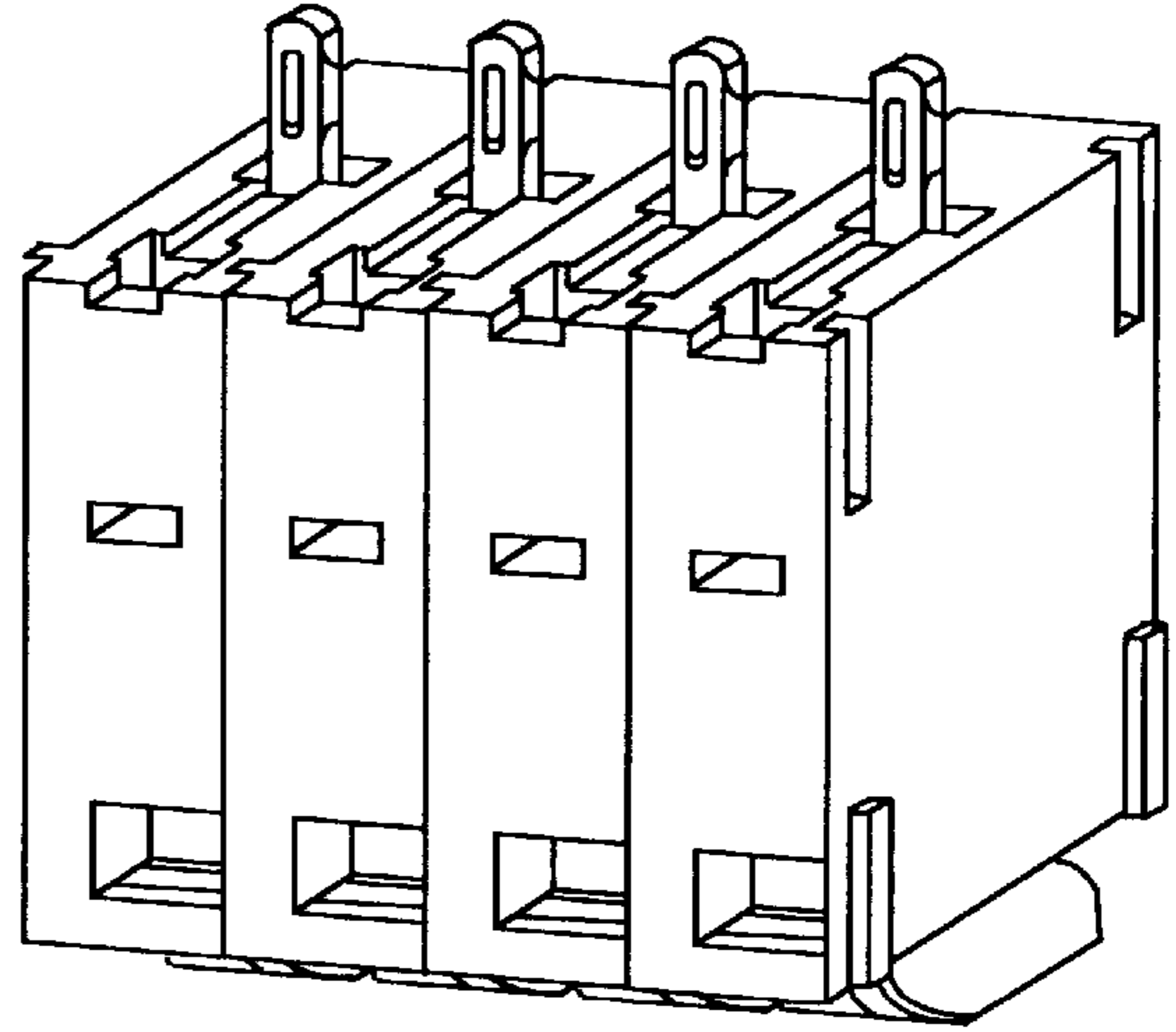


FIG. 14

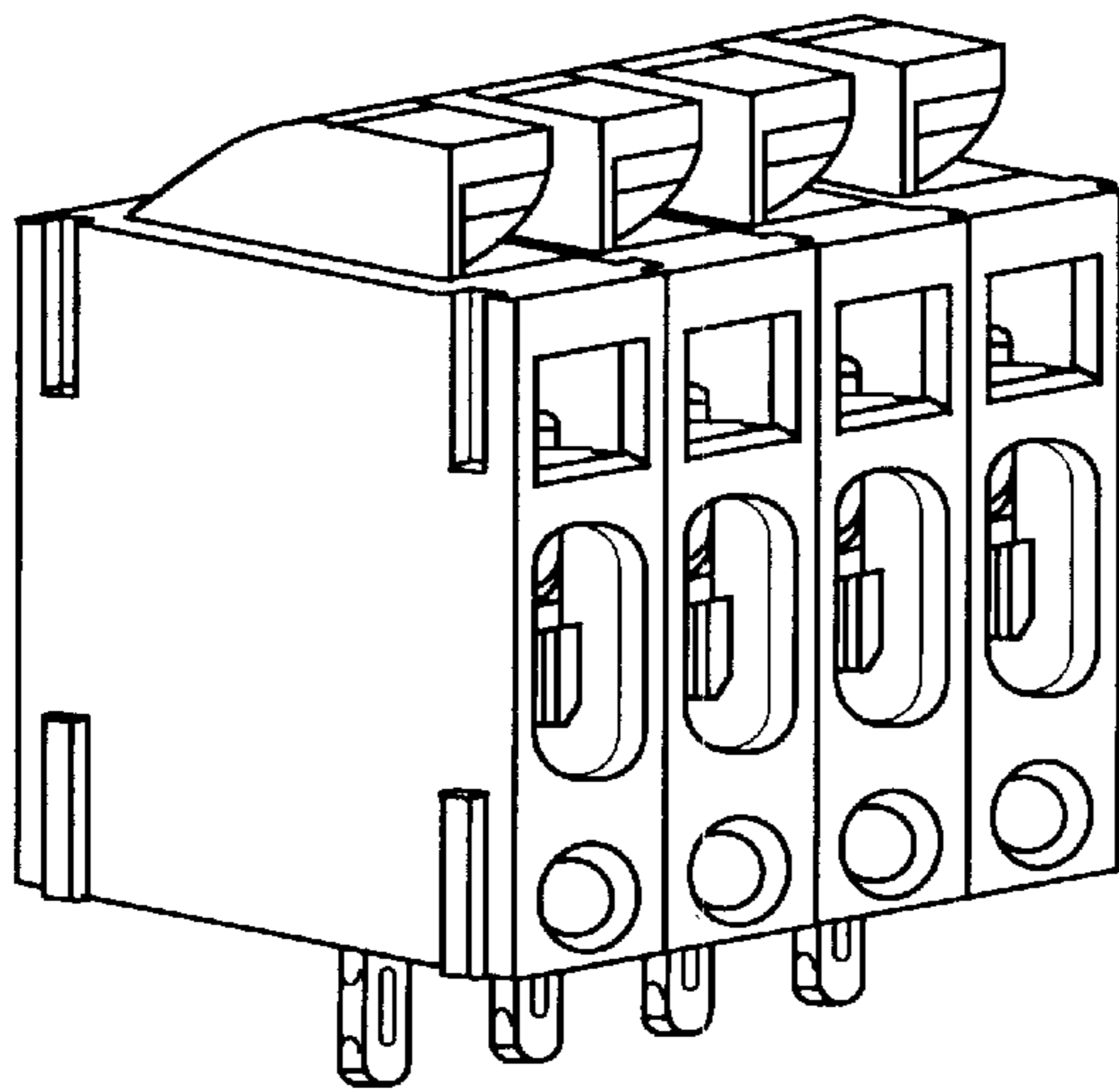


FIG. 15

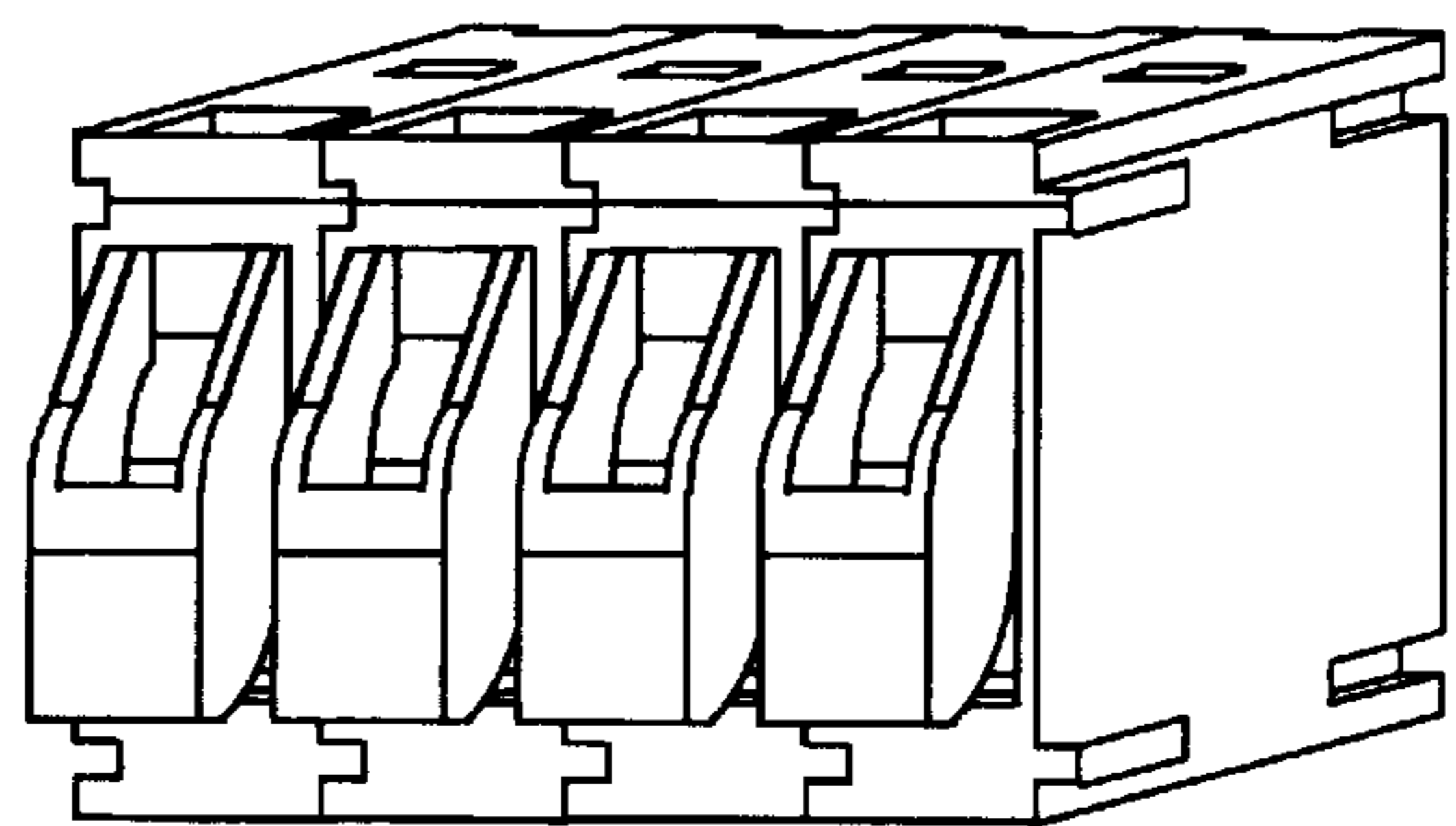


FIG. 16