



US00D473518S

(12) **United States Design Patent** (10) **Patent No.:** **US D473,518 S**
Hellwig et al. (45) **Date of Patent:** **** Apr. 22, 2003**

(54) **POWER COLUMN**

(75) Inventors: **John Hellwig**, Toronto (CA); **Steve Verbeek**, Aurora (CA); **Paul Crossland**, Brampton (CA); **Nicolas Koeppe**, Toronto (CA)

(73) Assignee: **TK Canada Limited**, Downsview (CA)

(**) Term: **14 Years**

(21) Appl. No.: **29/157,619**

(22) Filed: **Mar. 25, 2002**

(51) **LOC (7) Cl.** **13-03**

(52) **U.S. Cl.** **D13/139.5**

(58) **Field of Search** D13/139.1-139.8;
439/214, 650-654, 131, 536; 174/48, 49;
52/220.1, 220.7

(56) **References Cited**

U.S. PATENT DOCUMENTS

4,015,397	A	*	4/1977	Flachbarth et al.	174/48
D244,465	S	*	5/1977	Stoneman	D13/139.4
4,164,618	A	*	8/1979	Casasanta	174/48
4,178,468	A	*	12/1979	Jorgensen et al.	174/48
4,218,579	A	*	8/1980	Joly	174/48
5,186,337	A	*	2/1993	Foster et al.	174/48
5,318,259	A		6/1994	Fussler		
5,794,392	A		8/1998	Forslund, III et al.		
5,913,783	A		6/1999	Weener et al.		
D437,144	S	*	2/2001	Fear et al.	D13/139.8

OTHER PUBLICATIONS

Brochure by Marshall Tufflex, East Sussex, England. Sterling Powerpoles and Posts—Bringing Services to Where You Really Want Them.

Brochure by Mabeg—Ferdinand—Babriel—Weg 10, D-59494 Soest.

Brochure by Voko—The Millennium Office. Printed by: FIWO 1st edition Jan. 1999.

Brochure by Frontline Service Poles—Tailor-made & Pre-wired. Technical Information/Planning Guide 1999:03. Thorsman & Co. (U.K.) Ltd.

Brochure by Oep Furniture Group PLC, Essex, England entitled: Meta—Data and Power Posts.

Brochure by USG Interiors, Inc., Chicago, Illinois entitled: Interior—The Freestanding Ceiling Tree.

Brochure by Samas Roneo Ltd., England entitled: Dynamics.

Brochure by REHAU Limited entitled: signo POL Power Poles & Posts.

The Wiremold Company, West Stanford, CT, Williamstown, WV; Fergus, Ontario, Canada. The Only Way to Wire. . . Quick Selection Guide: Tele—Power Poles.

Wire Wizard, London, England. Ergonomic Workstations: Wire Wizard—Installation.

* cited by examiner

Primary Examiner—Jennifer Rivard

(74) *Attorney, Agent, or Firm*—Bereskin & Parr

(57) **CLAIM**

The ornamental Design for a power column, as shown and described.

DESCRIPTION

FIG. 1 is a three-quarter perspective view of a power column in accordance with a first embodiment of our Design;

FIG. 2 is an elevational view from the right in FIG. 1; the opposite face of the column itself is the same as in FIG. 2;

FIG. 3 is an elevational view from the left in FIG. 1; the elevational view from the right is a mirror image;

FIG. 4 is a top plan view;

FIG. 5 is a bottom plan view;

FIG. 6 is a three-quarter perspective view of a power column in accordance with a second embodiment of our Design;

FIG. 7 is an elevational view from the right in FIG. 6; the view from the left is the same as FIG. 7;

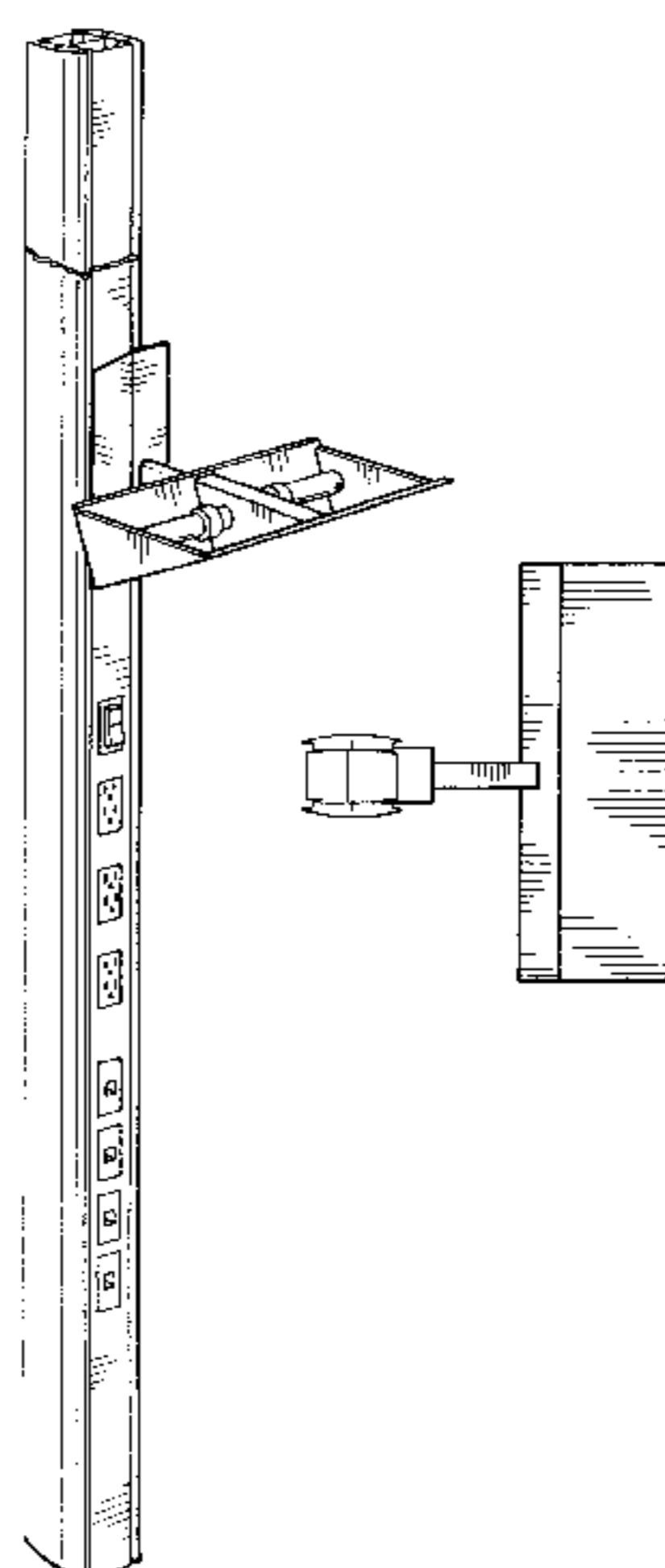
FIG. 8 is an elevational view from the left in FIG. 6; the elevational view from the right is the same;

FIG. 9 is a top plan view; and,

FIG. 10 is a bottom plan view.

The claimed design is shown broken away to indicate indefinite length.

1 Claim, 6 Drawing Sheets



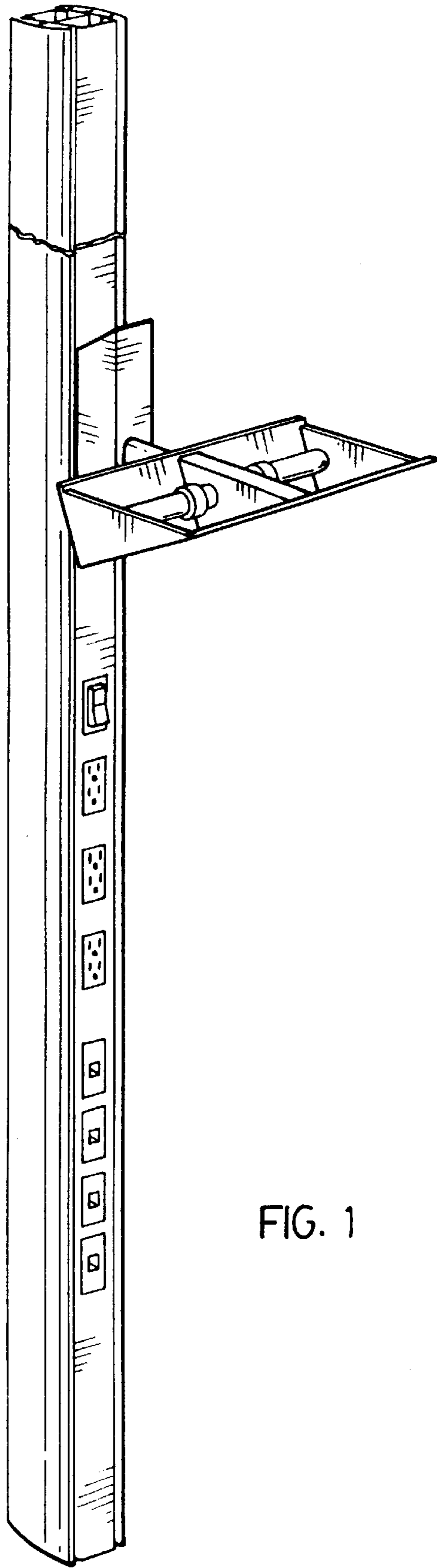


FIG. 1

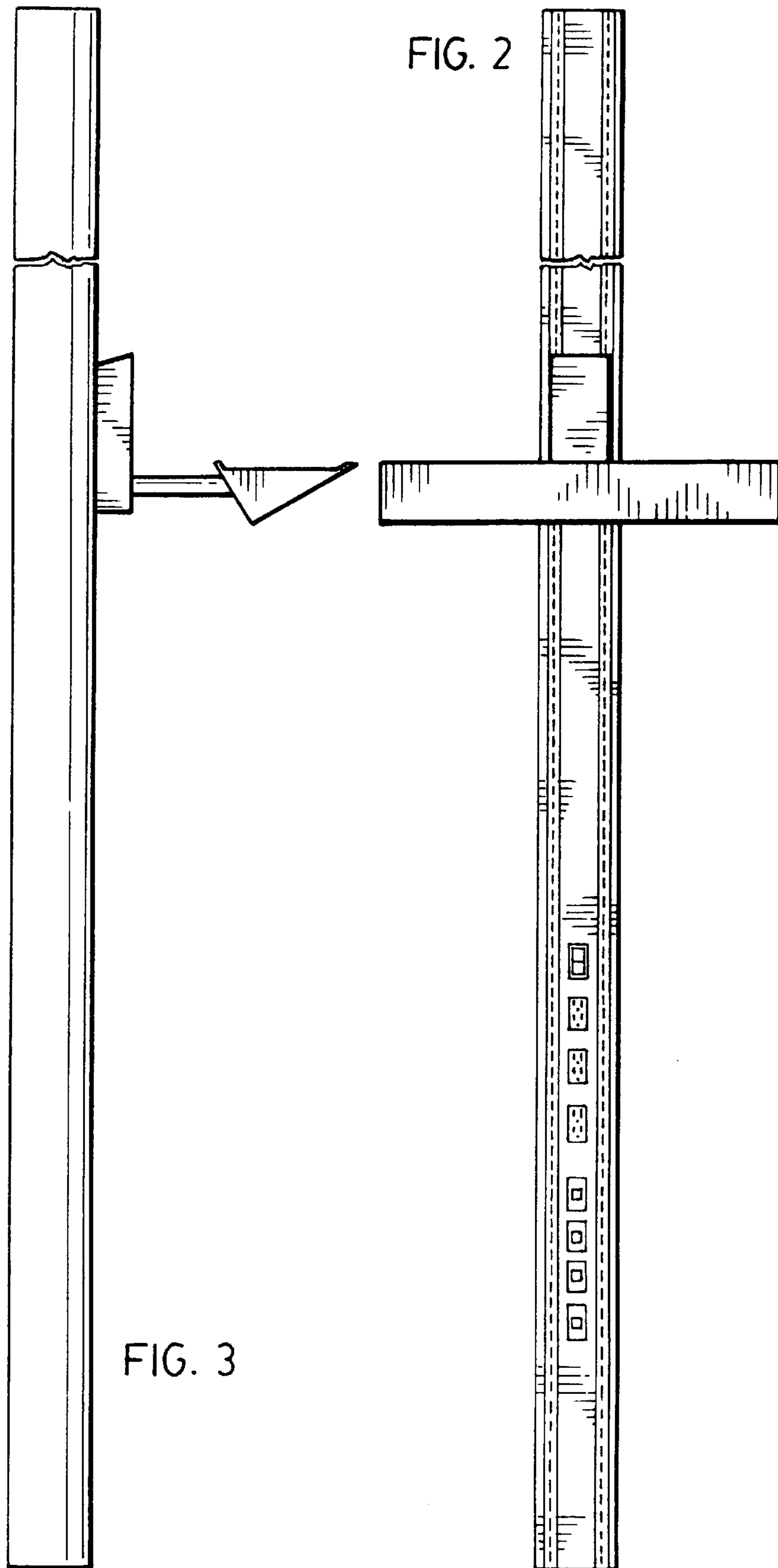


FIG. 4

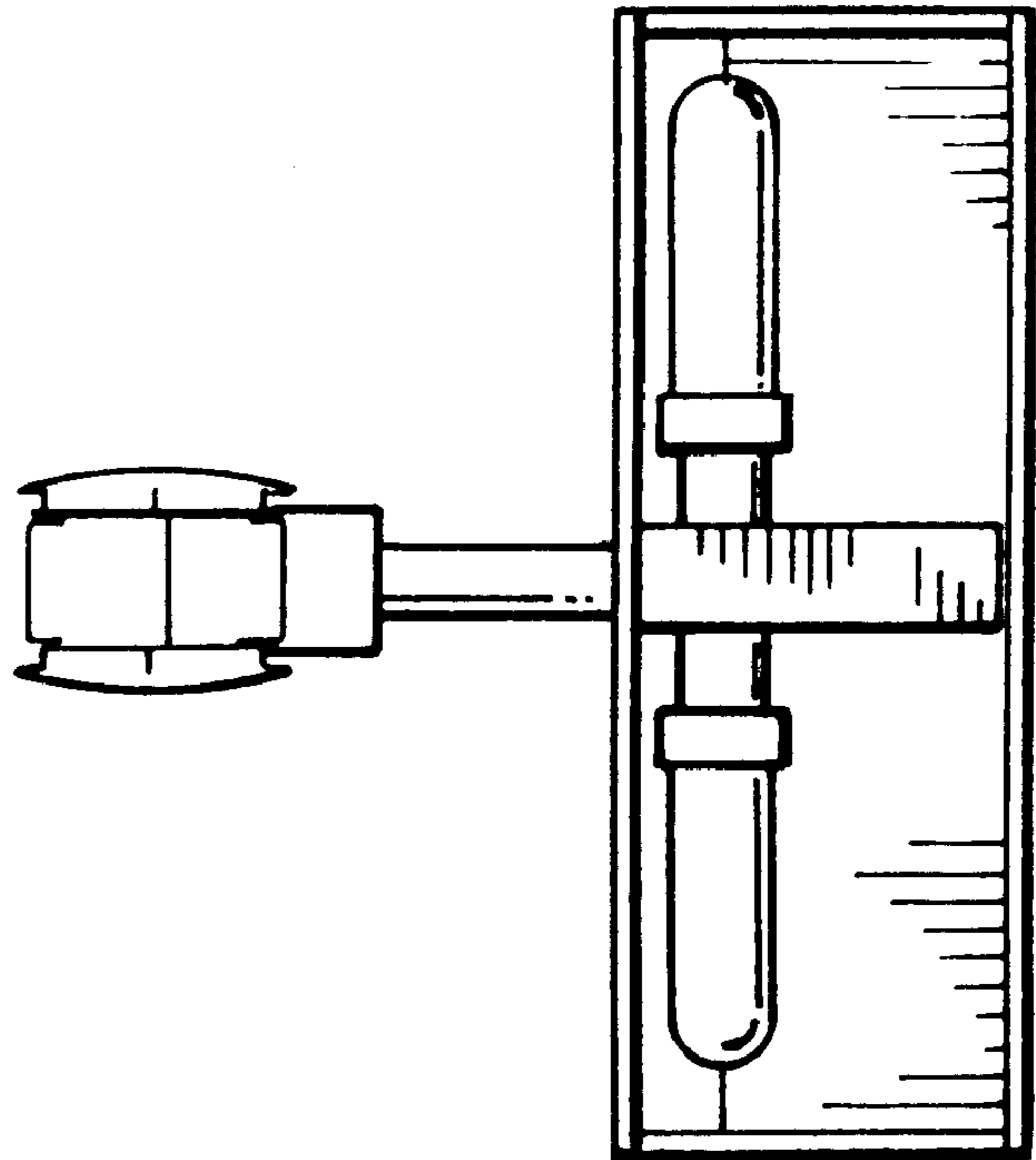
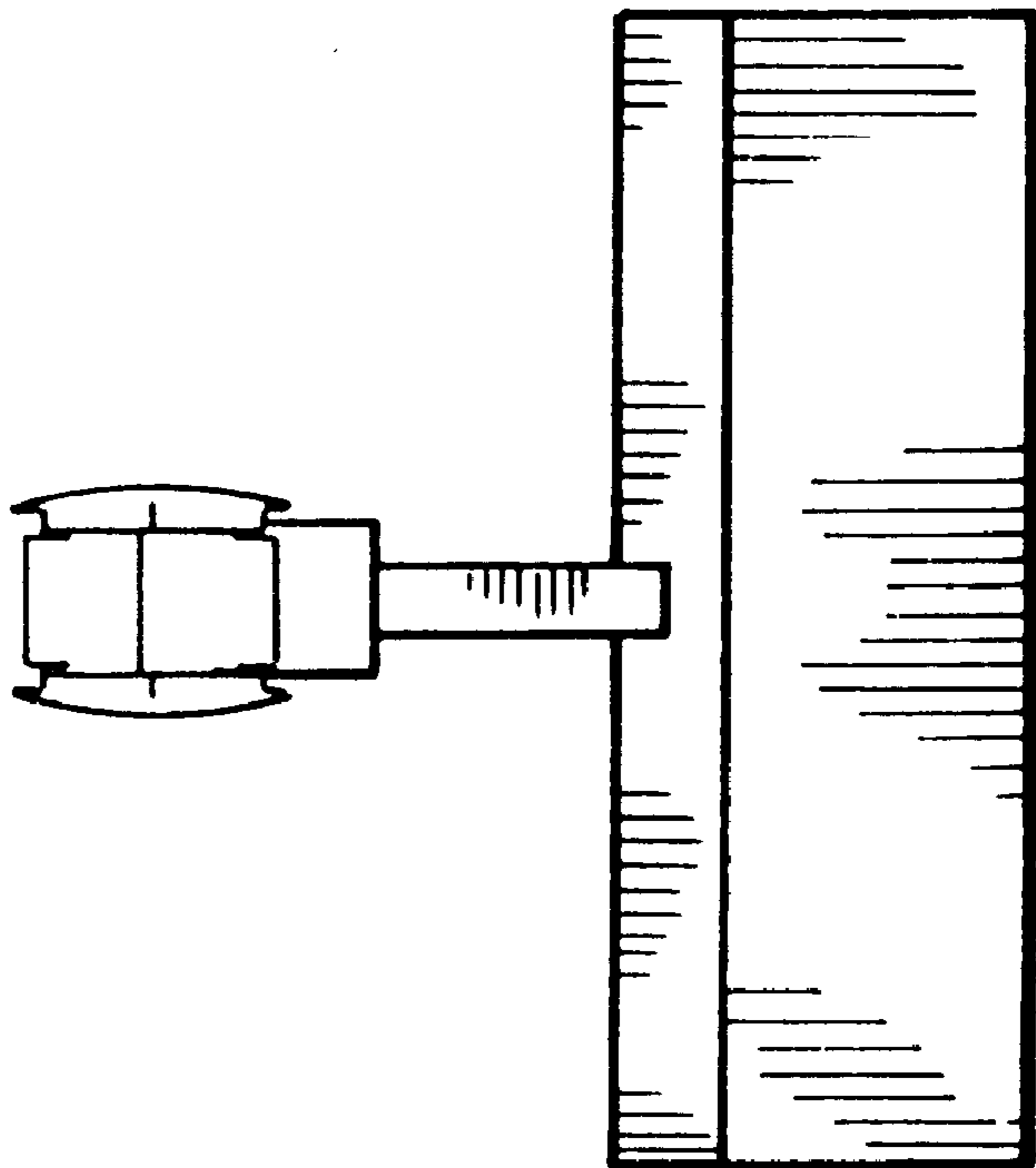


FIG. 5



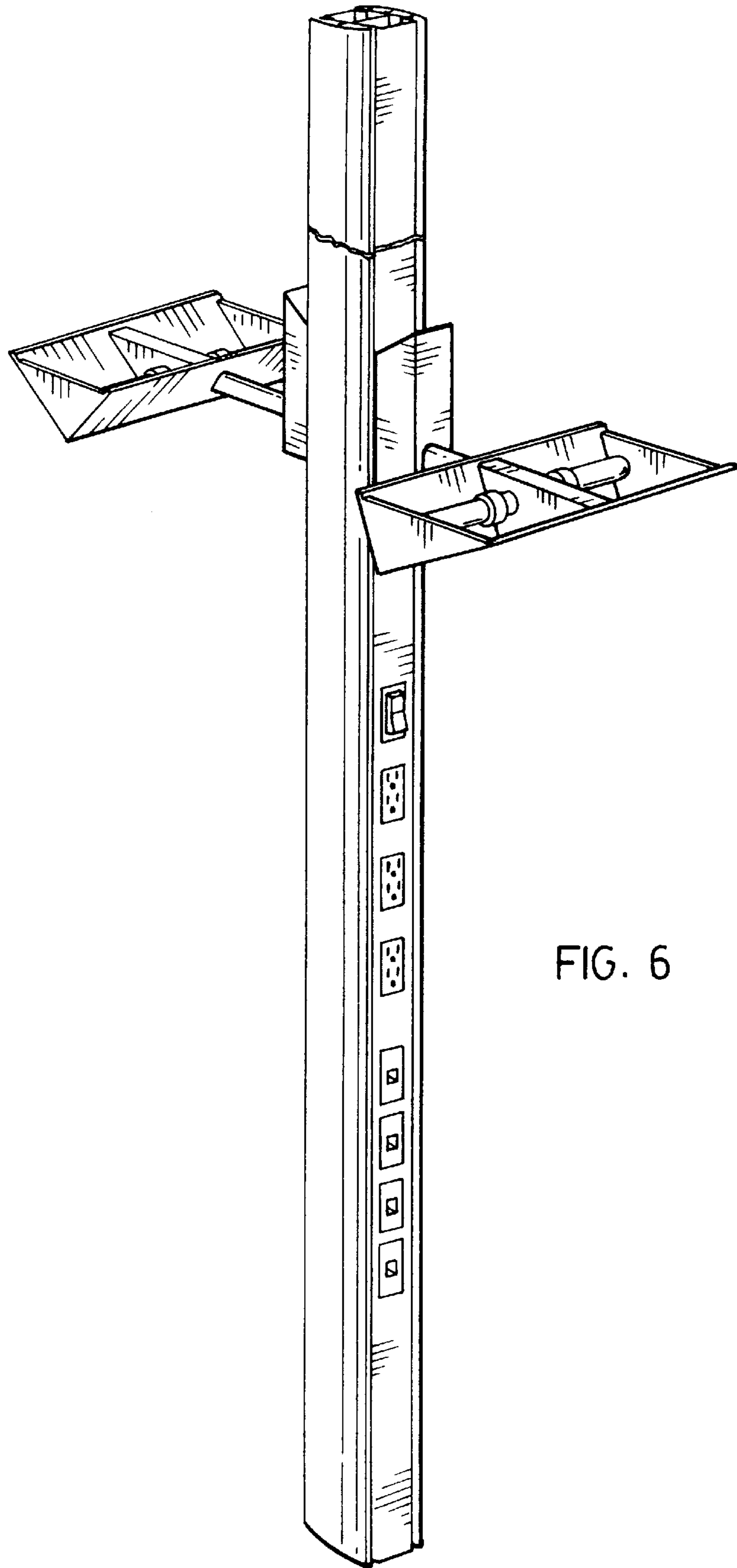
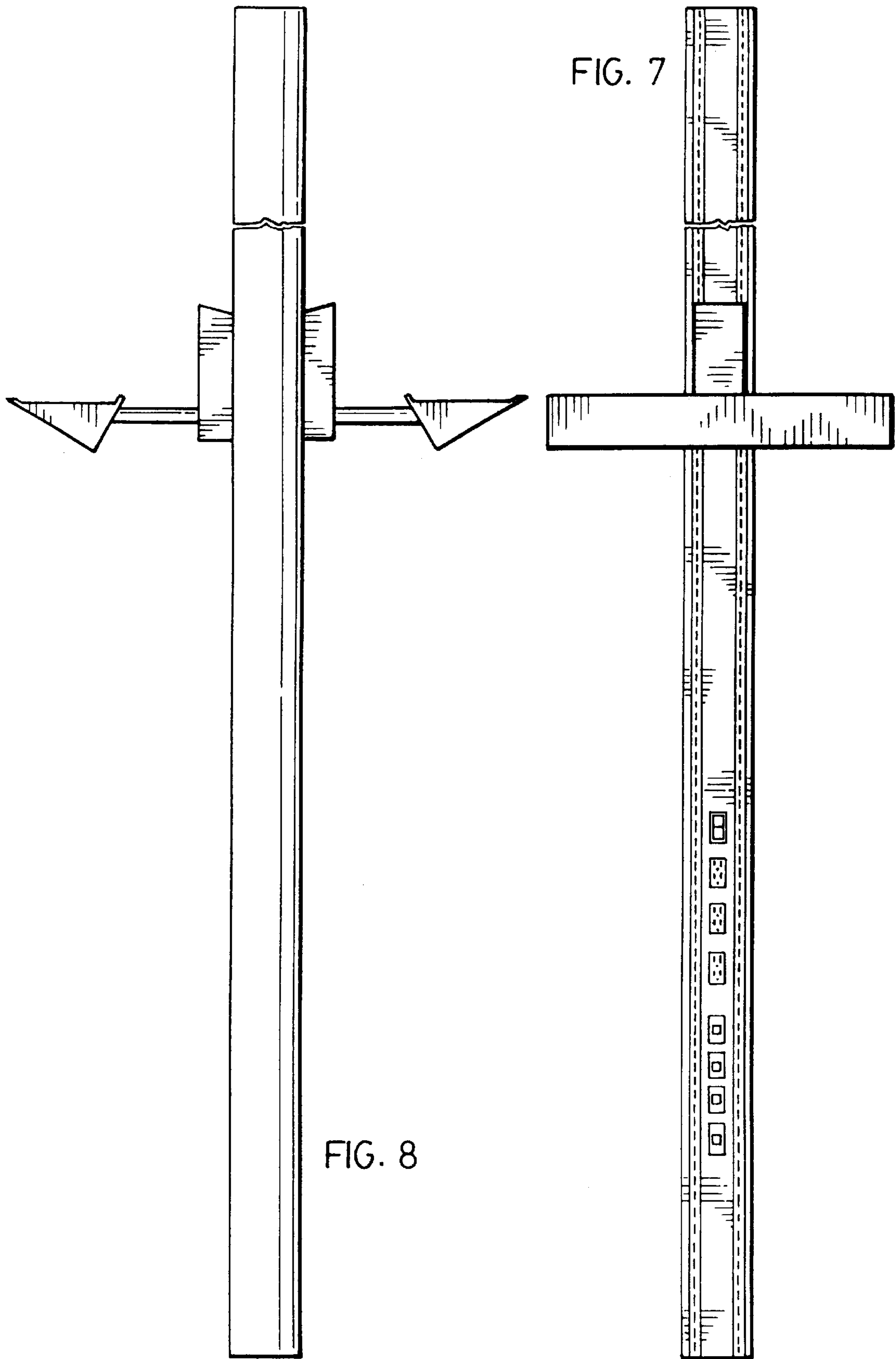


FIG. 6



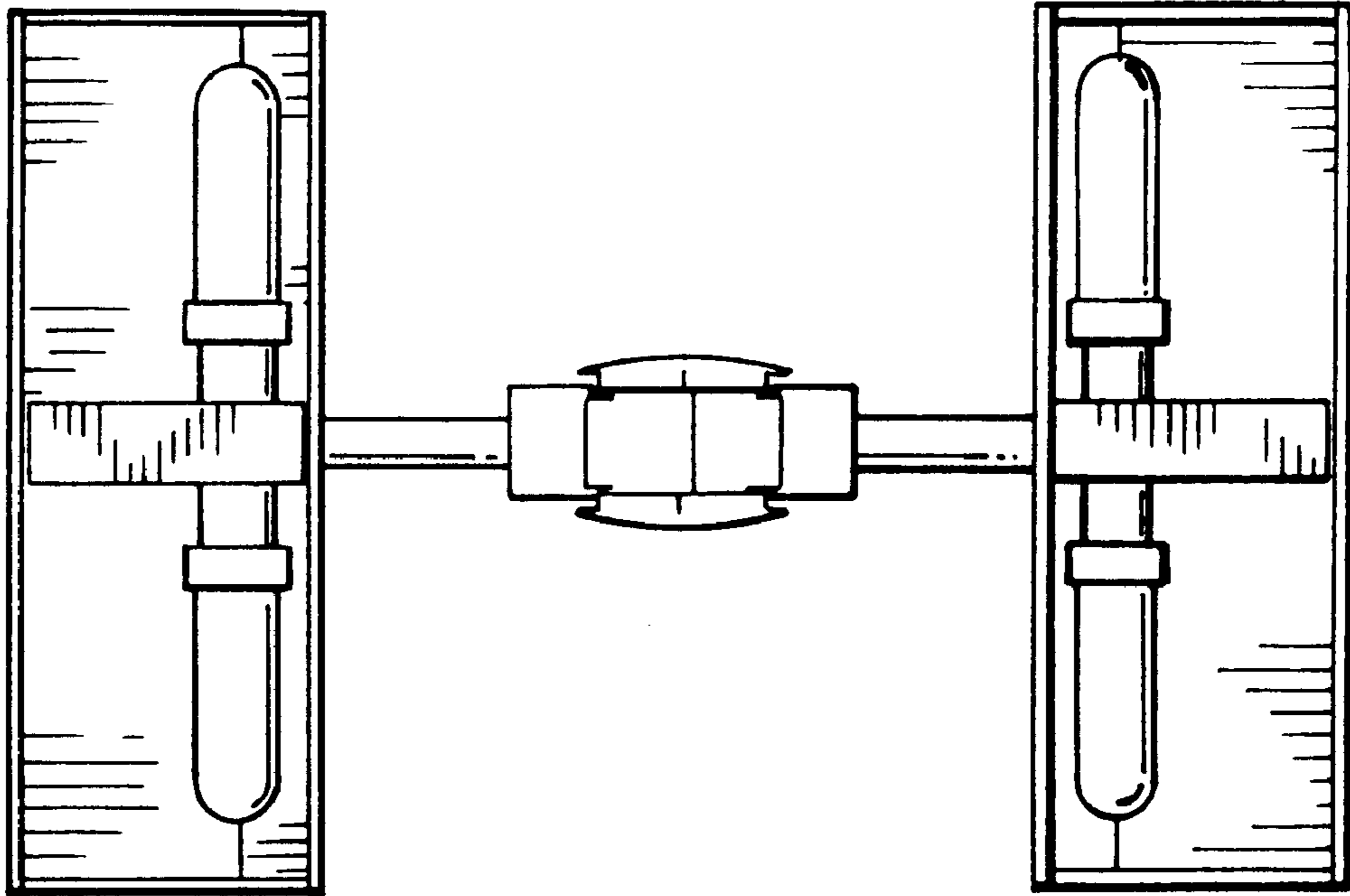


FIG. 9

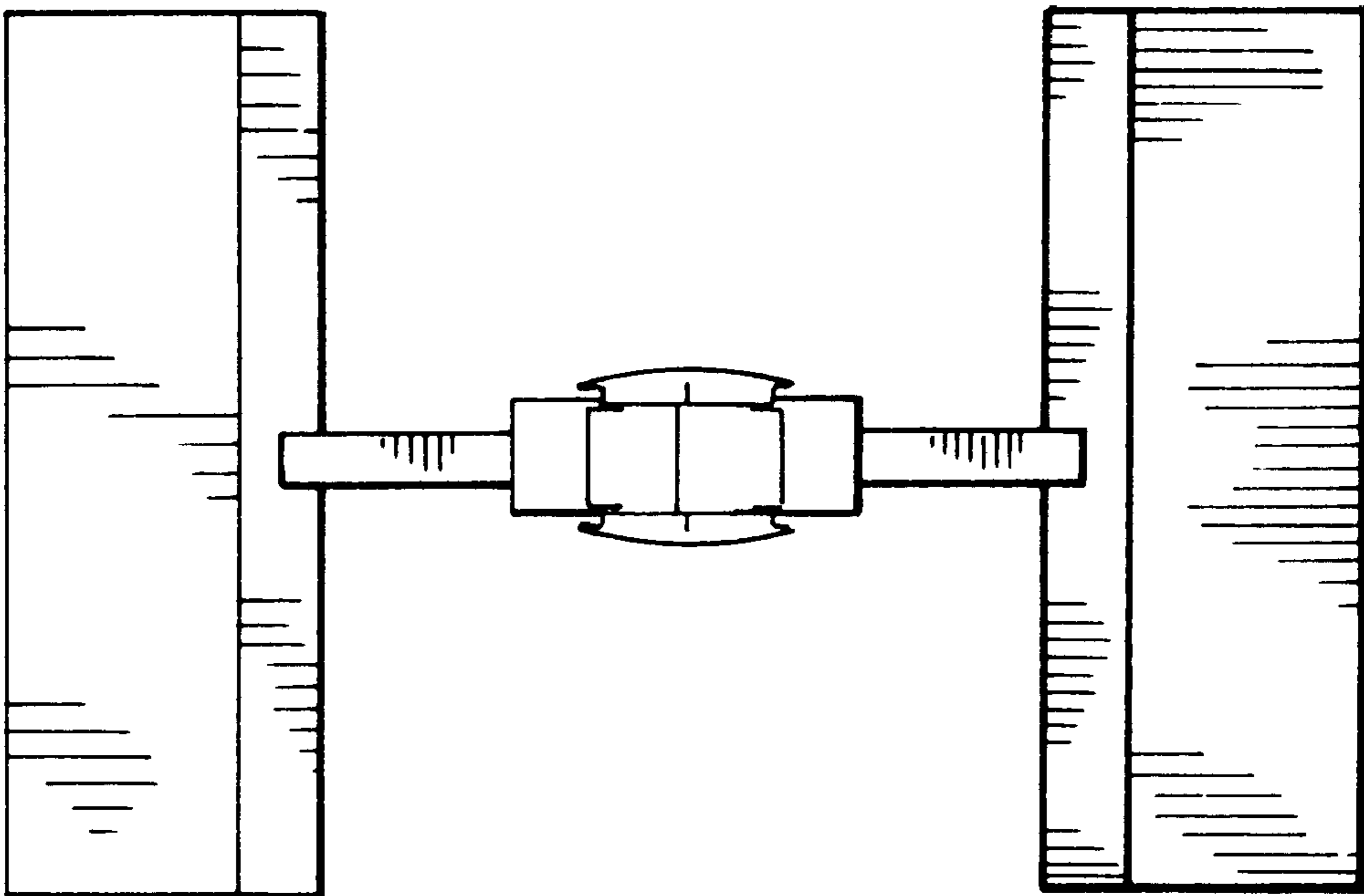


FIG. 10