



US00D473517S

(12) **United States Design Patent**  
**Overthun et al.**

(10) **Patent No.:** **US D473,517 S**

(45) **Date of Patent:** **\*\* Apr. 22, 2003**

(54) **PARTITION INSERT**

(75) Inventors: **Thomas Overthun**, San Francisco, CA (US); **James N. Ludwig**, E. Grand Rapids, MI (US); **David M. Gresham**, E. Grand Rapids, MI (US); **Karl Heinz Mueller**, E. Grand Rapids, MI (US); **Monika Conway**, Menlo Park, CA (US); **Stephen Don Wahl**, San Francisco, CA (US); **John W. Smith**, San Francisco, CA (US)

(73) Assignee: **Steelcase Development Corporation**, Caledonia, MI (US)

(\*\*) Term: **14 Years**

(21) Appl. No.: **29/158,191**

(22) Filed: **Mar. 29, 2002**

(51) **LOC (7) Cl.** ..... **13-03**

(52) **U.S. Cl.** ..... **D13/139.4**

(58) **Field of Search** ..... 174/48, 49; D13/139.4; 52/36.1, 220.1, 220.7, 40

(56) **References Cited**

**U.S. PATENT DOCUMENTS**

4,164,618	A	*	8/1979	Casasanta	.....	174/48
4,178,468	A	*	12/1979	Jorgensen et al.	.....	174/48
4,218,579	A	*	8/1980	Joly	.....	174/48
4,581,858	A		4/1986	Clark		
4,685,255	A		8/1987	Kelley		

(List continued on next page.)

**OTHER PUBLICATIONS**

Exhibit A, Discloses a partition-attached utility-distributing module, designed and publicly shown prior to the filing date of the present application, under the tradename SWITCH by SMED Company, which is wholly owned by Haworth, Inc., Holland, MI (12 pages).

Exhibit B, Discloses a partition-attached utility-distributing module, designed and publicly shown prior to the filing date of the present application, under the tradename SWITCH by SMED Company, which is wholly owned by Haworth, Inc., Holland, MI (15 pages).

*Primary Examiner*—Jennifer Rivard  
(74) *Attorney, Agent, or Firm*—Price, Heneveld, Cooper, DeWitt & Litton

(57) **CLAIM**

We claim the ornamental design for a partition insert, as shown and described.

**DESCRIPTION**

FIG. 1 is a perspective view of a partition insert, embodying our design;

FIG. 2 is a front view of FIG. 1;

FIG. 3 is a side view of FIG. 1, the opposite side being a mirror image thereof;

FIG. 4 is a cross-section taken along lines 4—4 in FIG. 2, the cross-section showing the contour of the surfaces shown in FIG. 2.

FIG. 5 is a top view of FIG. 1, the bottom view being a mirror image thereof; and

FIG. 6 is a cross-section taken along lines 6—6 in FIG. 2, the cross-section showing a contour of the surfaces in FIG. 2.

FIG. 7 is a perspective view of another partition insert, embodying our design;

FIG. 8 is a front view of FIG. 7;

FIG. 9 is a side view of FIG. 7, the opposite side being a mirror image thereof; and

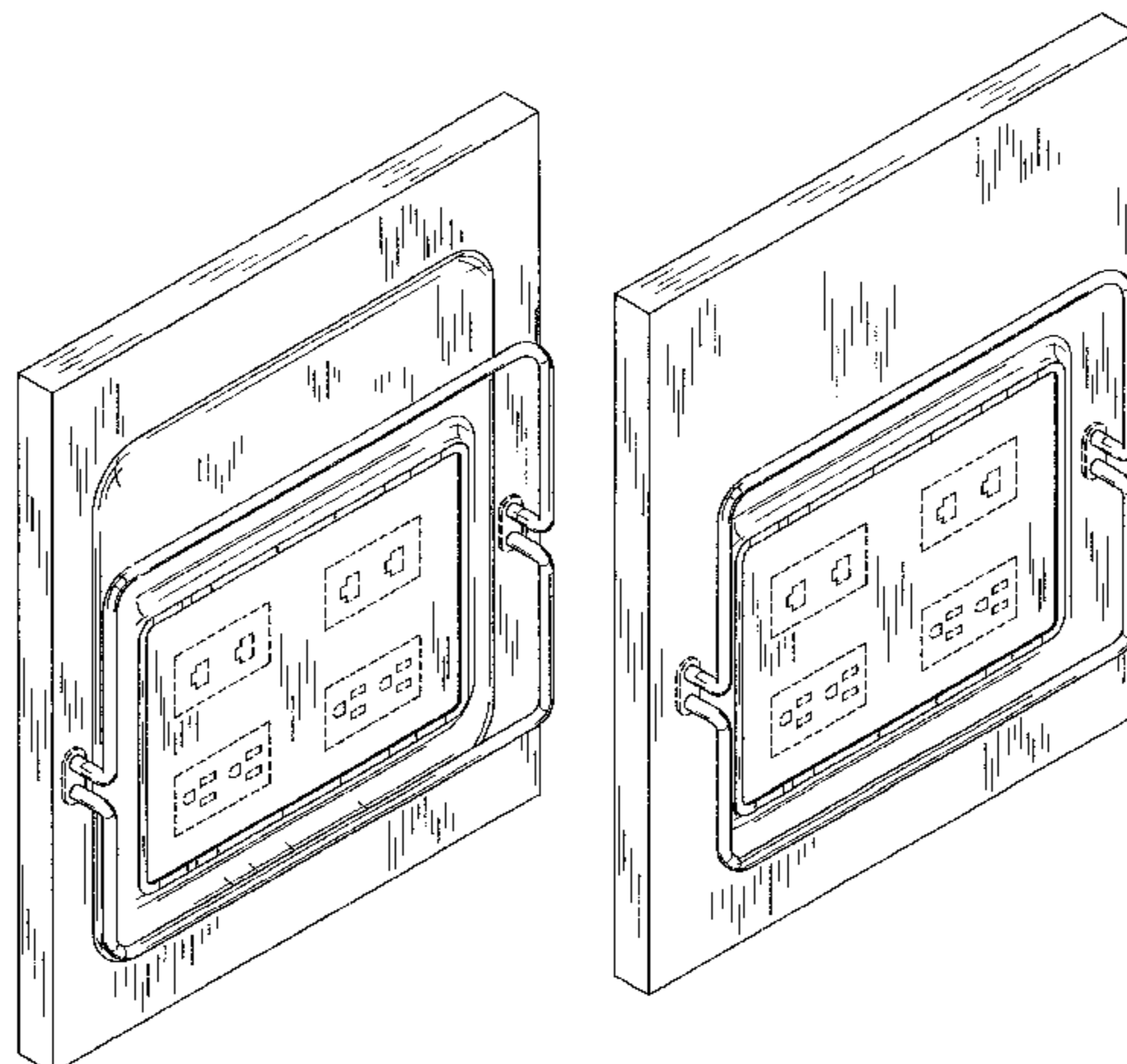
FIG. 10 is a cross-section taken along lines 10—10 in FIG. 8, showing the contour of the surfaces in FIG. 8;

FIG. 11 is a top view of FIG. 7, the bottom view being a mirror image thereof; and,

FIG. 12 is a cross-section taken along the lines 12—12 in FIG. 8, showing the contour of the surfaces in FIG. 8.

The dashed lines and cross section lines in FIGS. 1—12 are to show the environment, and do not form a part of the claimed invention.

**1 Claim, 6 Drawing Sheets**



U.S. PATENT DOCUMENTS

4,876,835 A	10/1989	Kelley et al.	5,913,787 A	6/1999	Edwards
4,942,805 A	7/1990	Hellwig et al.	5,921,795 A	7/1999	Weener et al.
5,038,539 A	8/1991	Kelley et al.	5,994,644 A	11/1999	Rindoks et al.
5,129,200 A	7/1992	Kaneko	6,000,180 A	12/1999	Goodman et al.
5,186,337 A *	2/1993	Foster et al. .... 174/48	6,017,228 A	1/2000	Verbeek et al.
5,214,890 A	6/1993	Levitan et al.	6,115,978 A	9/2000	Bastian et al.
5,289,927 A	3/1994	Emery	6,158,180 A	12/2000	Edwards
5,406,760 A	4/1995	Edwards	6,173,536 B1	1/2001	Boyce
5,577,819 A	11/1996	Olsen	6,206,206 B1	3/2001	Saylor et al.
5,778,612 A	7/1998	Kissinger et al.	6,223,478 B1	5/2001	Wheeler
5,784,841 A	7/1998	Nowell	6,259,020 B1	7/2001	Ashline et al.
5,826,385 A	10/1998	Dykstra et al.			

\* cited by examiner

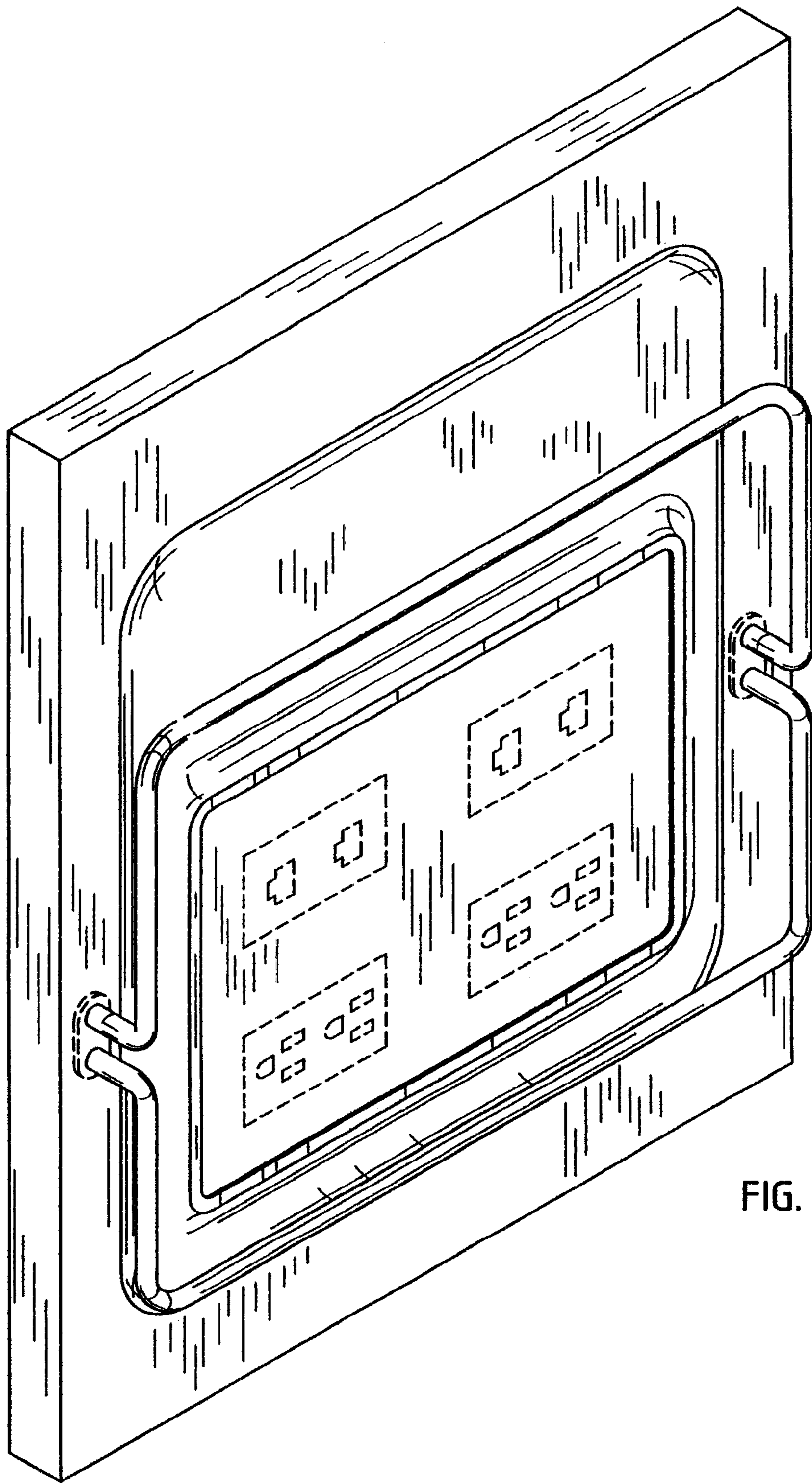
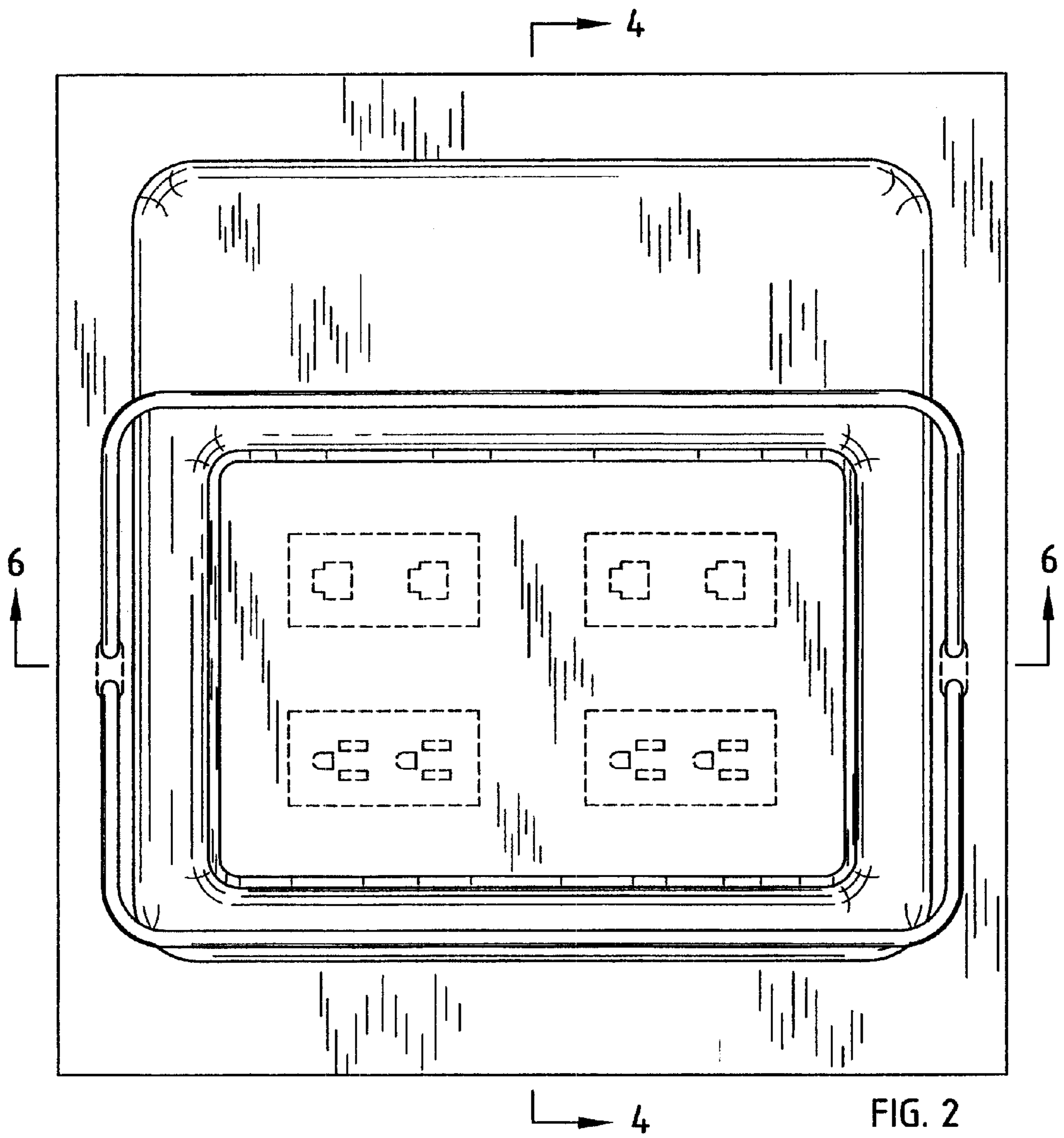


FIG. 1





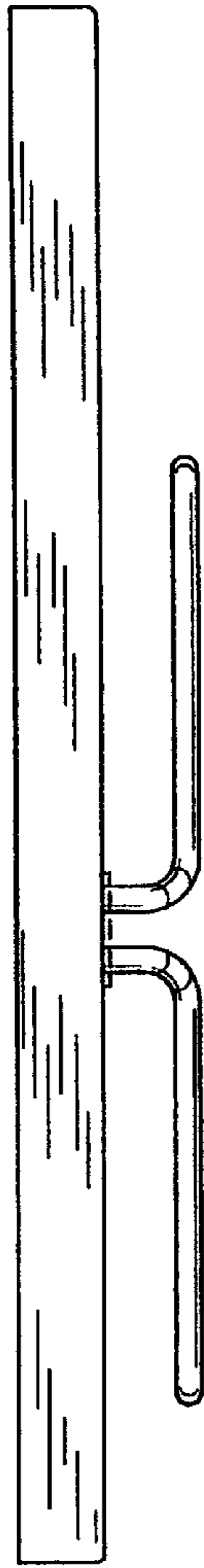


FIG. 3

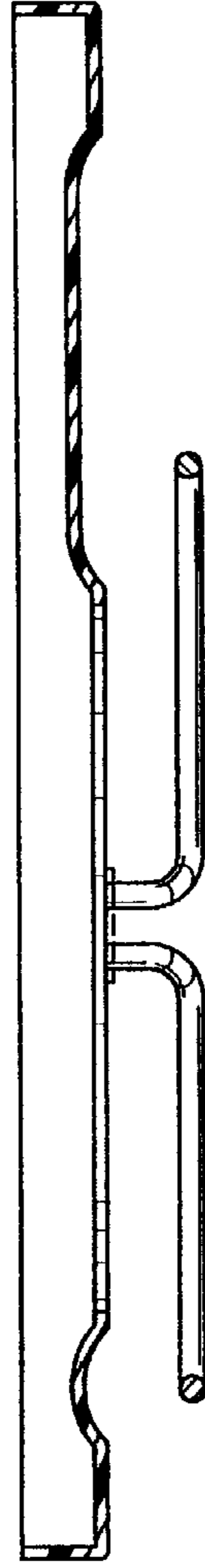


FIG. 4

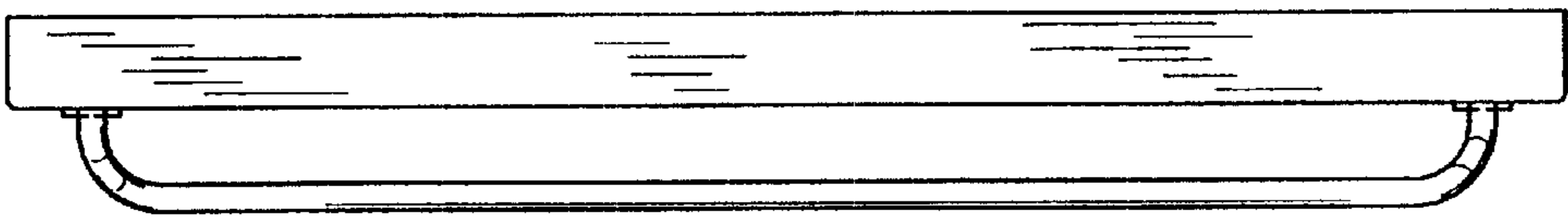


FIG. 5

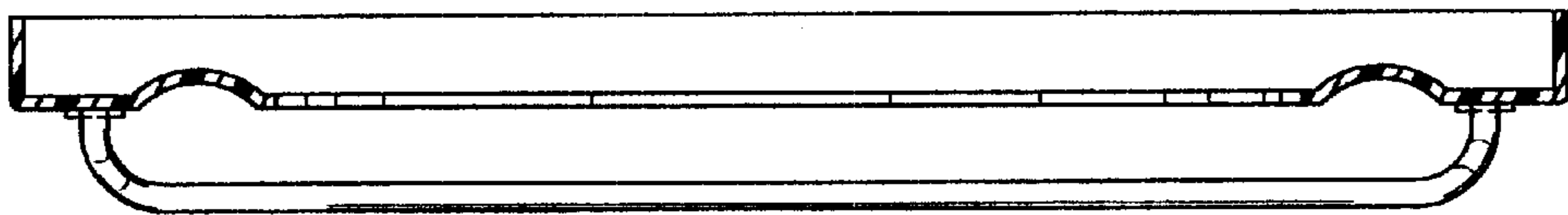


FIG. 6

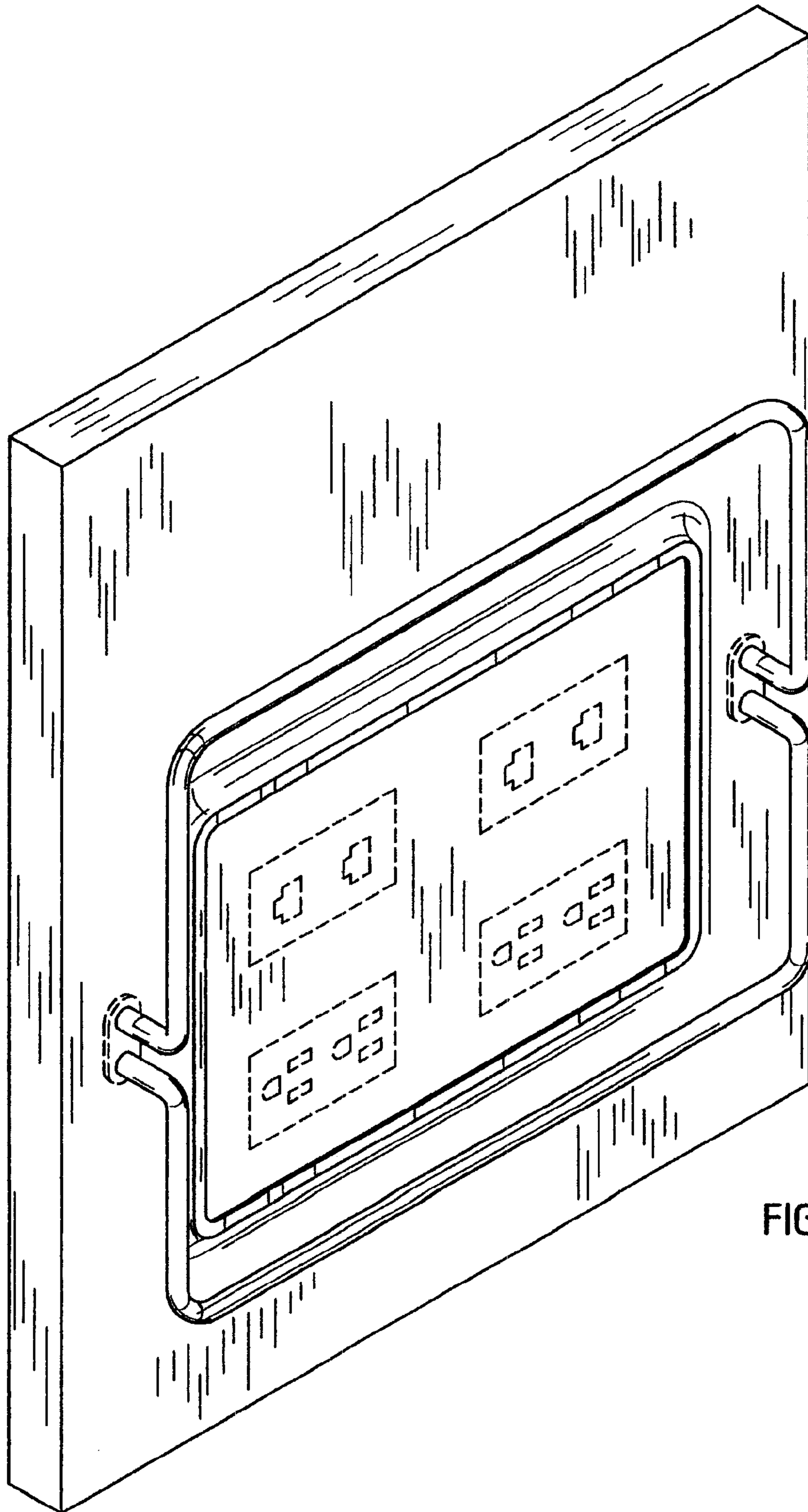


FIG. 7

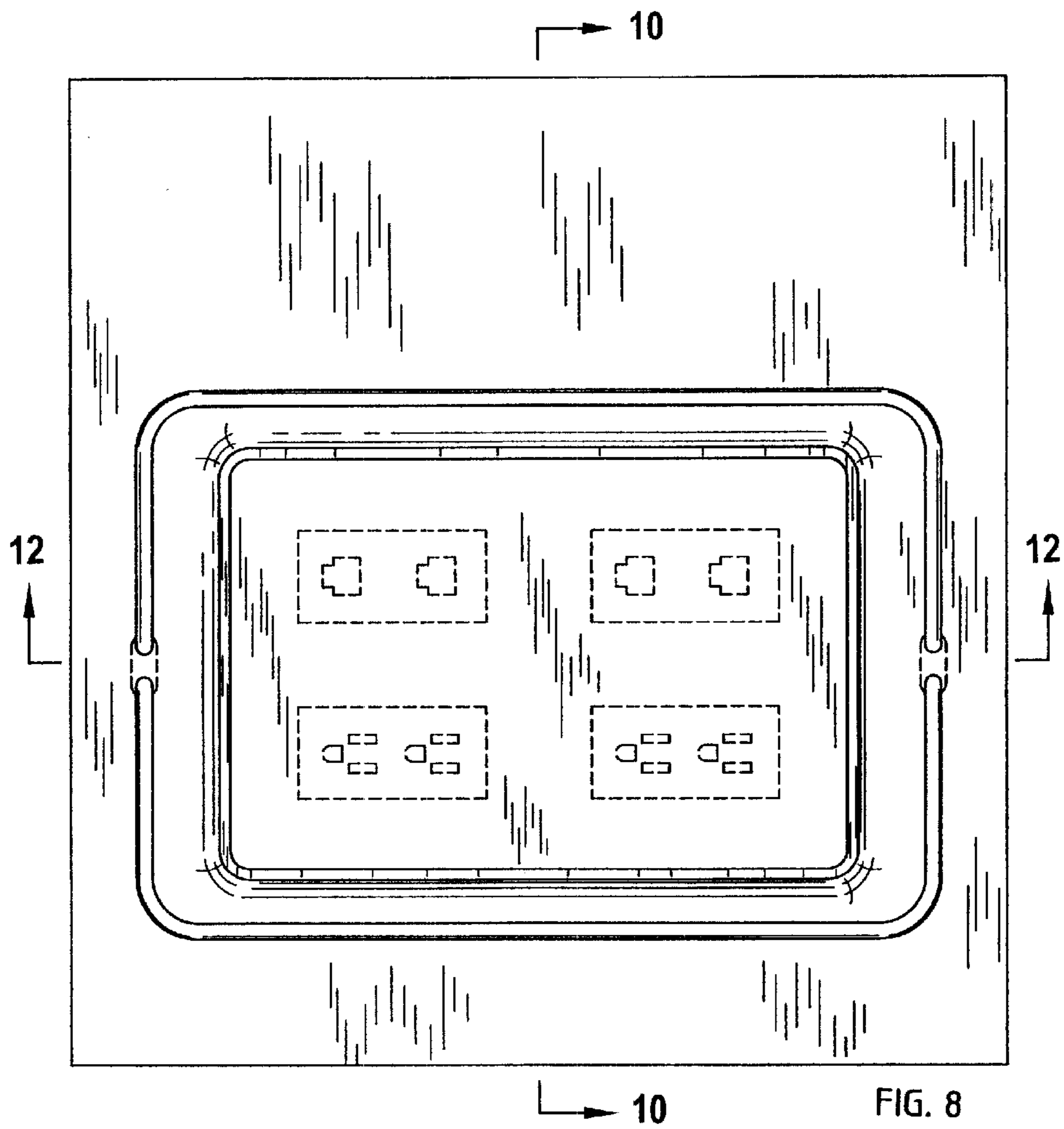


FIG. 8

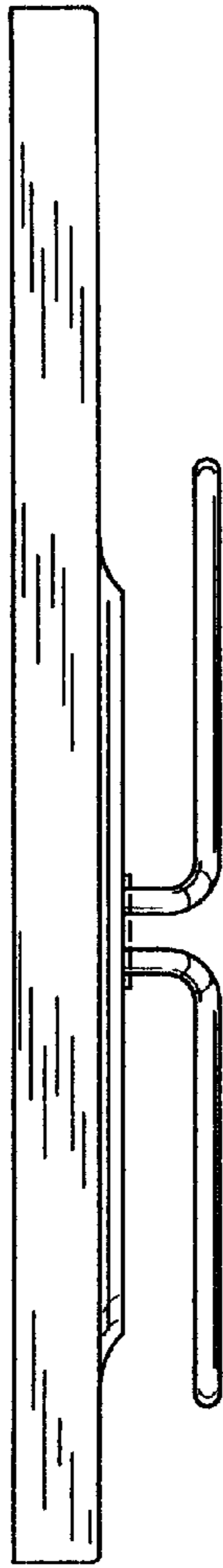


FIG. 9

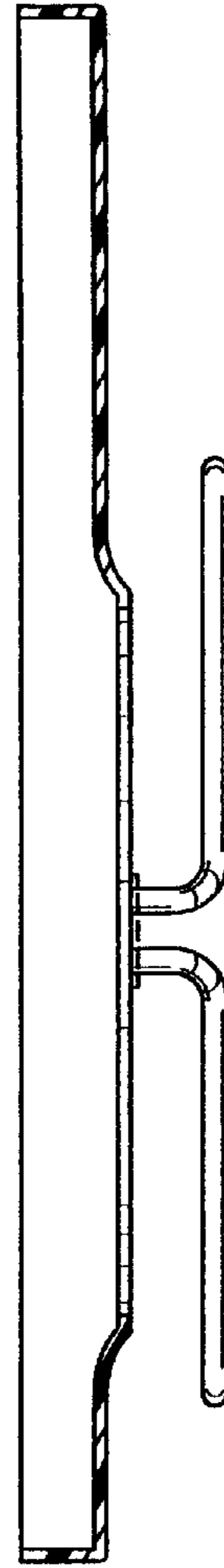


FIG. 10

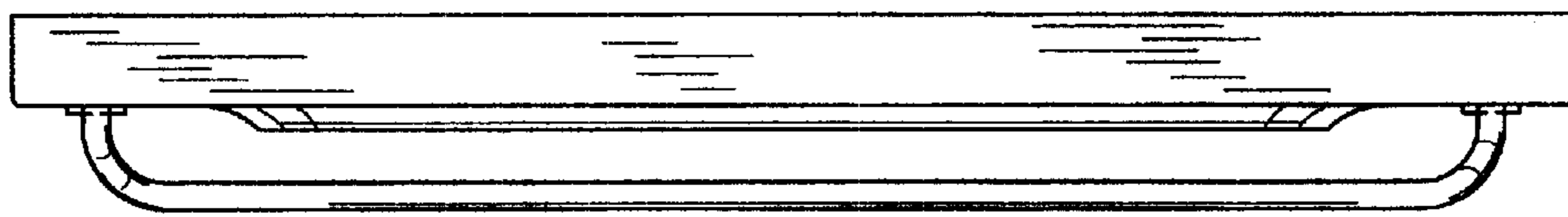


FIG. 11

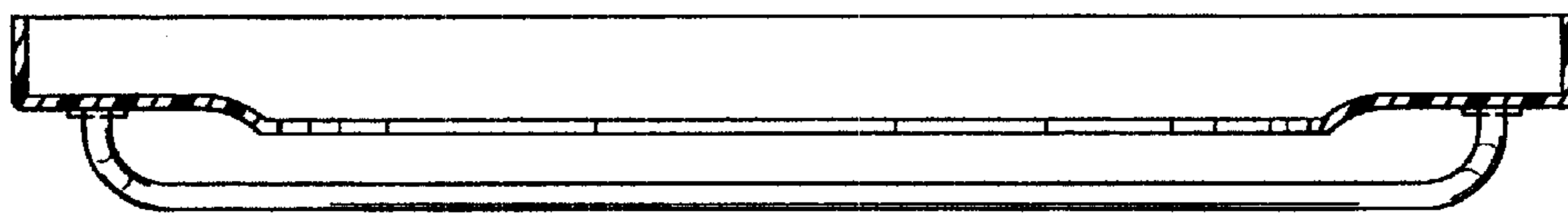


FIG. 12