



US00D473515S

(12) **United States Design Patent**
Salazar et al.

(10) **Patent No.:** **US D473,515 S**

(45) **Date of Patent:** **** Apr. 22, 2003**

(54) **CHARGER**

(75) Inventors: **Eduardo Salazar**, Woodland Hills, CA (US); **Edward D. Mitchell**, Thousand Oaks, CA (US); **Sheldon Phillips**, Thousand Oaks, CA (US); **Frank Nuovo**, Los Angeles, CA (US)

(73) Assignee: **Vertu Ltd.** (GB)

(**) Term: **14 Years**

(21) Appl. No.: **29/154,371**

(22) Filed: **Jan. 21, 2002**

(51) **LOC (7) Cl.** **13-02**

(52) **U.S. Cl.** **D13/107**

(58) **Field of Search** D13/107, 108,
D13/110; 320/110-115

(56) **References Cited**

U.S. PATENT DOCUMENTS

D247,619 S * 3/1978 Edgell et al. D13/107 X

5,744,934 A * 4/1998 Wu 320/111
6,320,353 B1 * 11/2001 Chiu et al. 320/111
D456,008 S * 4/2002 Kawanobe et al. D13/110

* cited by examiner

Primary Examiner—Joel Sincavage
(74) *Attorney, Agent, or Firm*—Banner & Witcoff, Ltd.

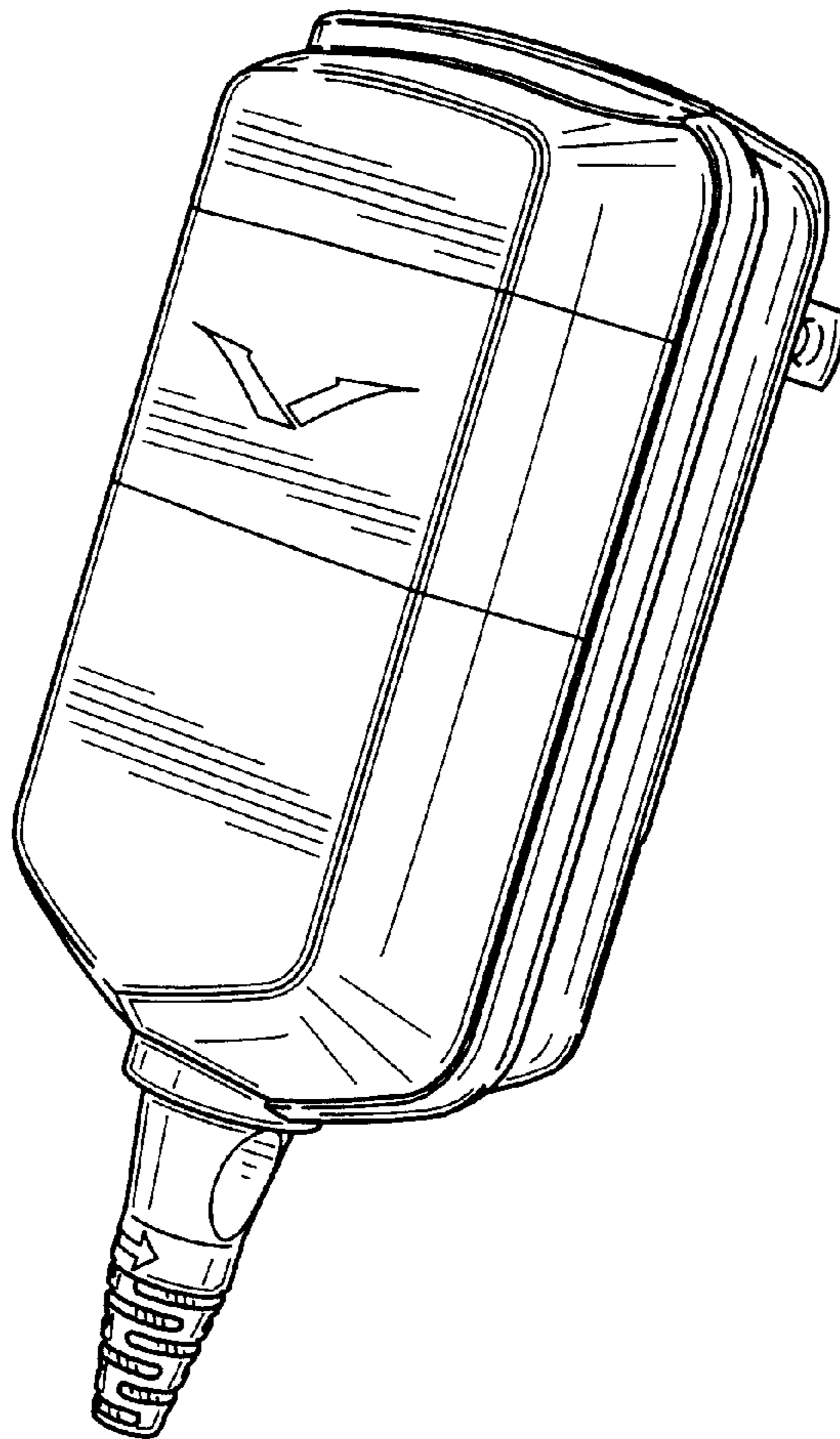
(57) **CLAIM**

We claim the ornamental design for a charger, as shown.

DESCRIPTION

FIG. 1 is a perspective top view of the charger;
FIG. 2 is a perspective bottom view thereof;
FIG. 3 is top view thereof;
FIG. 4 is a bottom view thereof;
FIG. 5 is a rear view thereof;
FIG. 6 is a front view thereof;
FIG. 7 is a right side view thereof; and,
FIG. 8 is a left side view thereof.

1 Claim, 4 Drawing Sheets



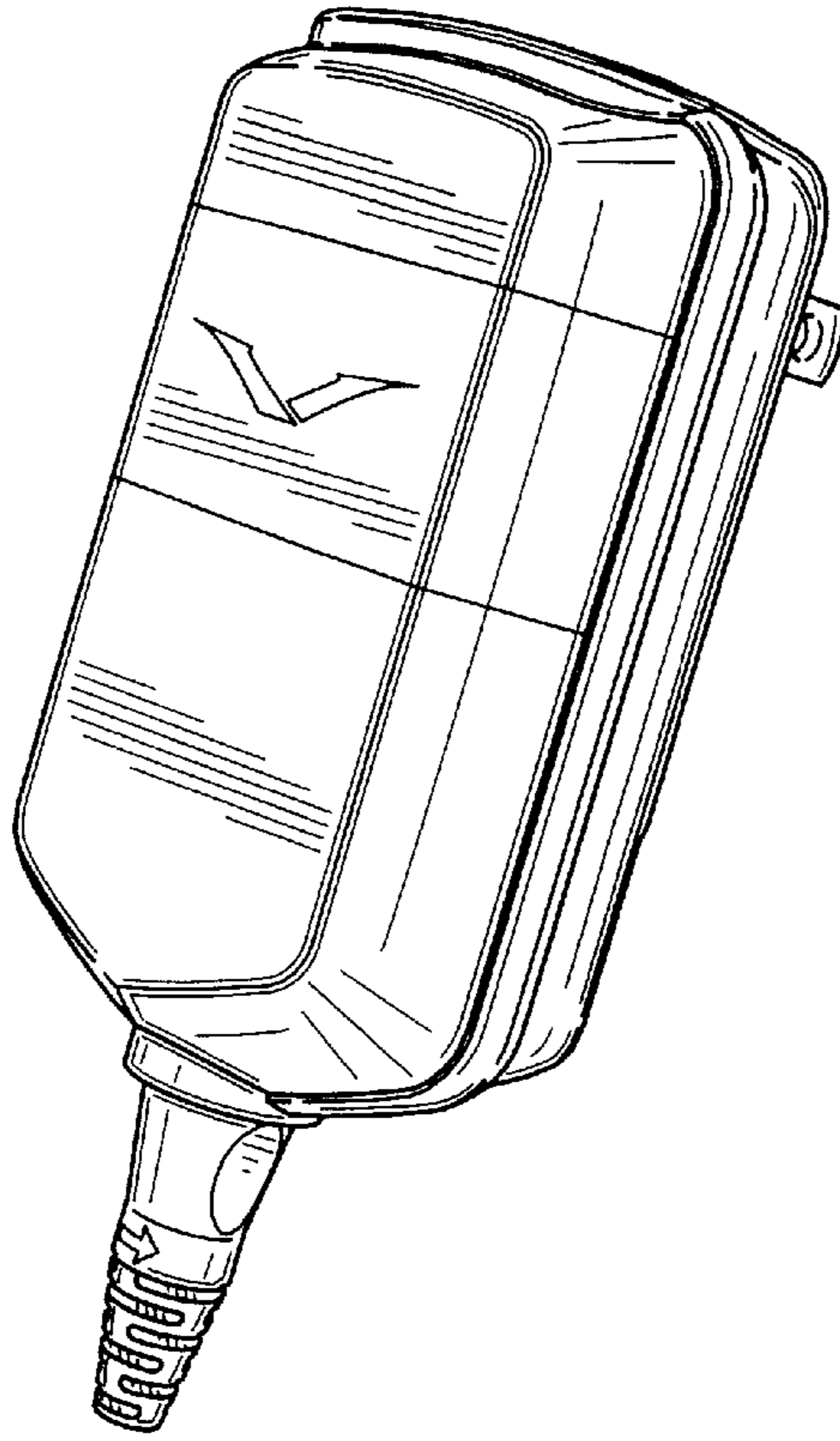


FIG. 1

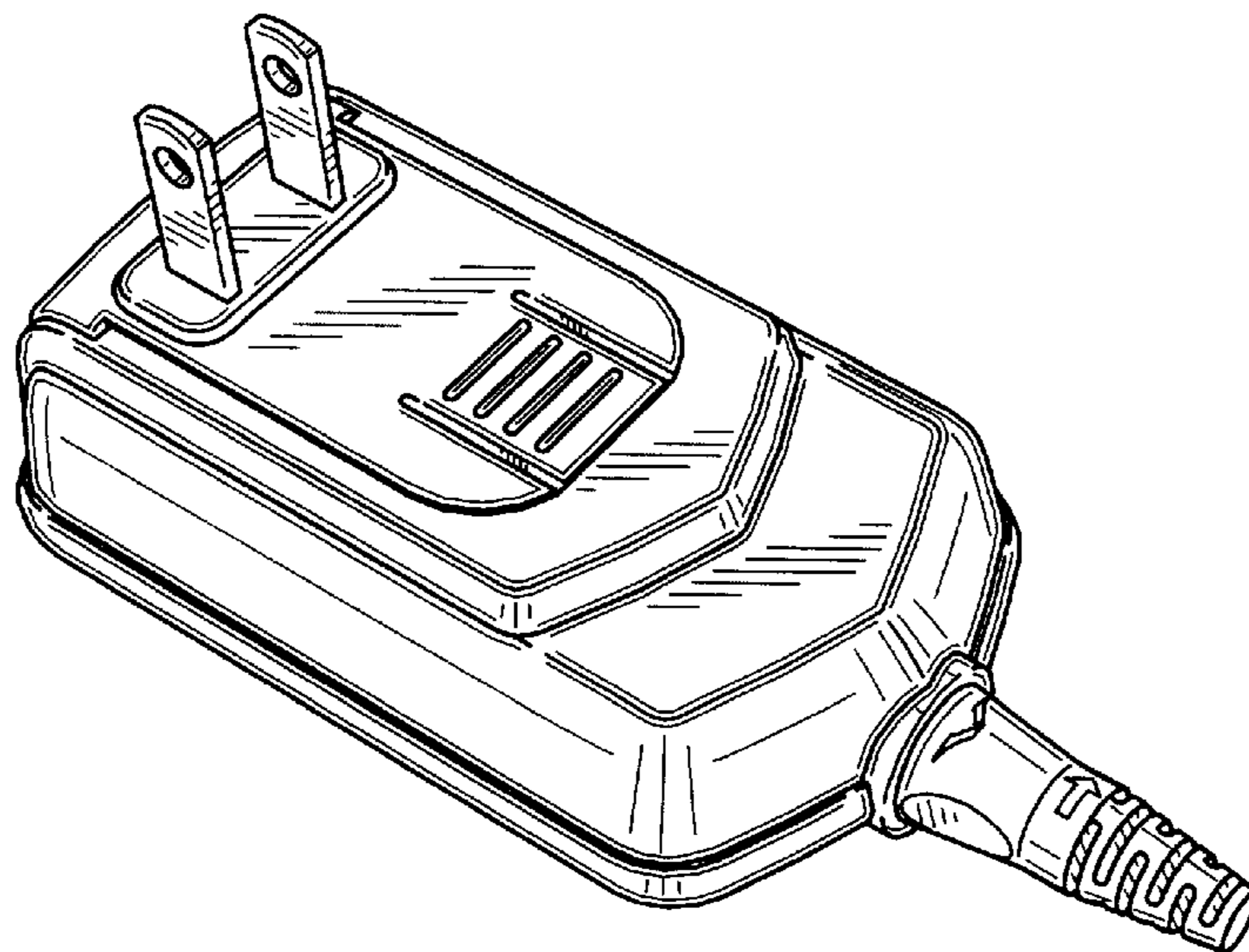


FIG. 2

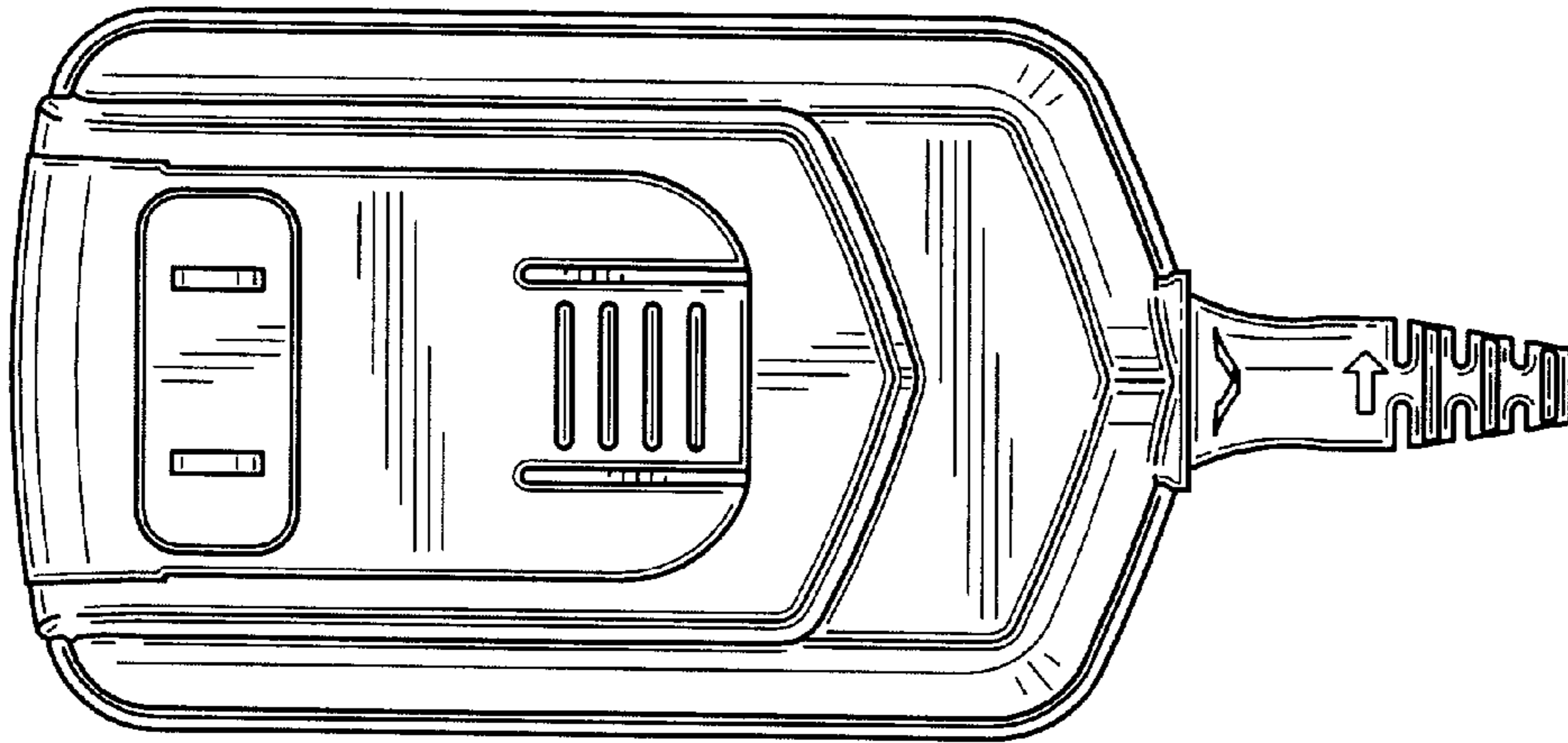


FIG. 4

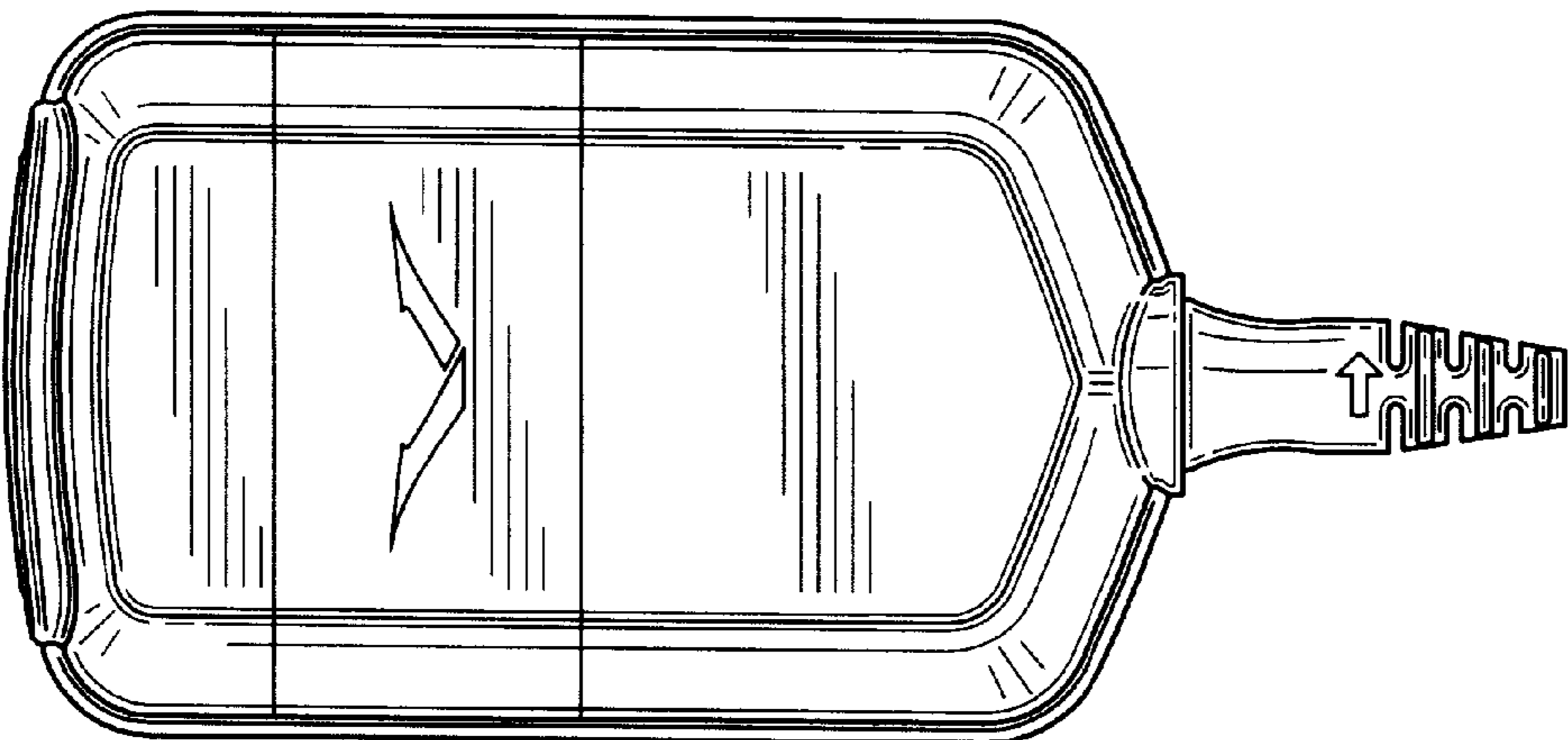


FIG. 3

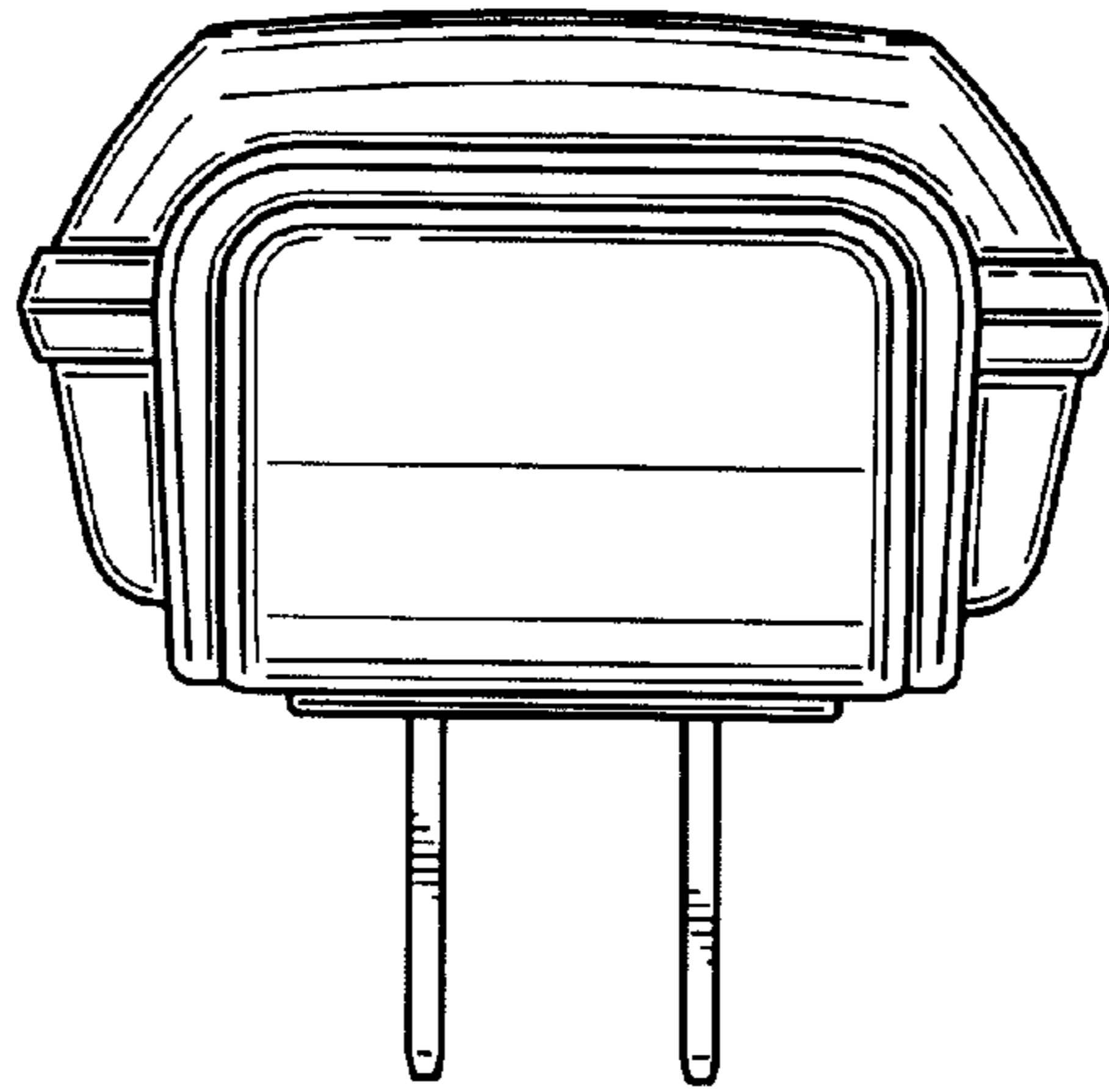


FIG. 5

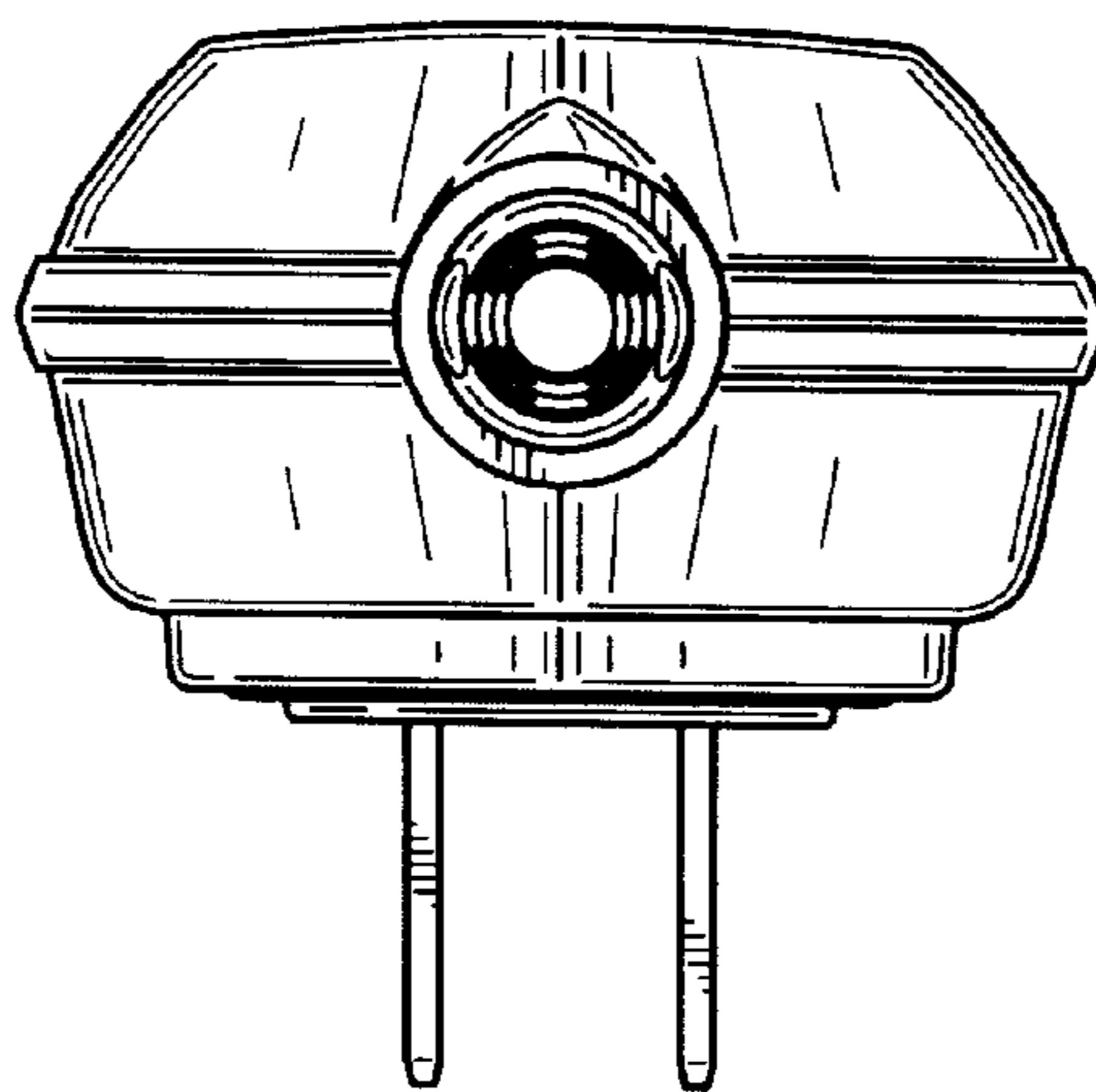


FIG. 6

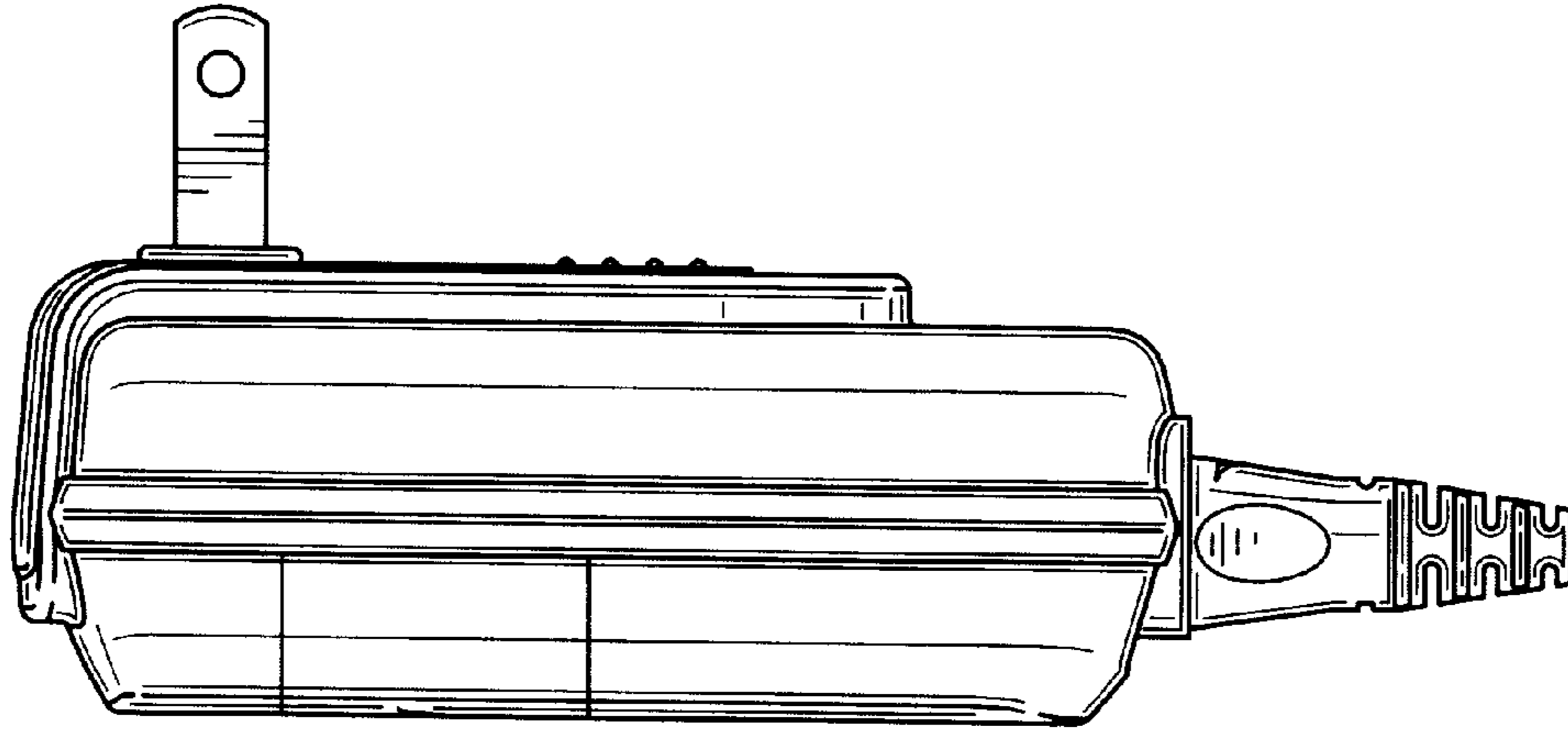


FIG. 8

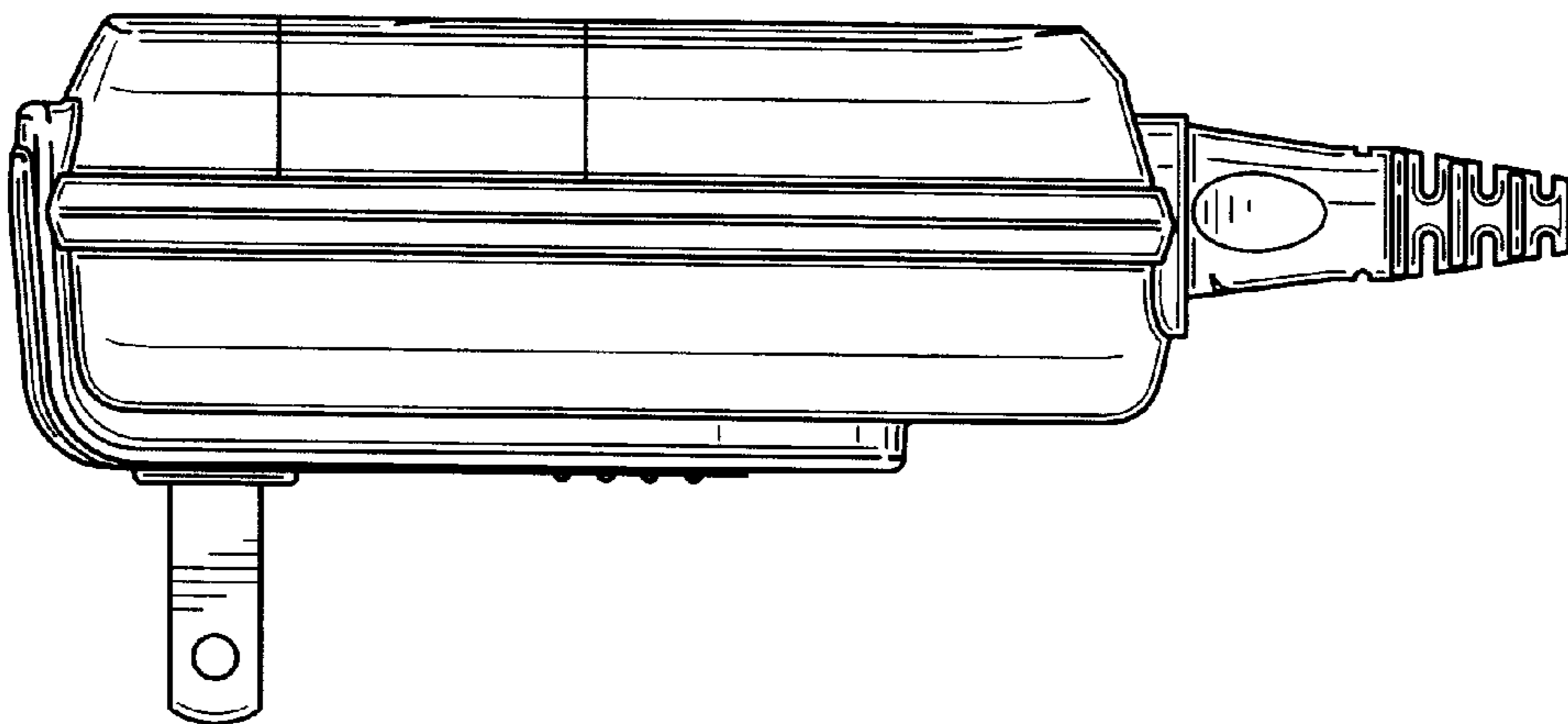


FIG. 7