



US00D473512S

(12) **United States Design Patent**
Zurita

(10) **Patent No.:** **US D473,512 S**

(45) **Date of Patent:** **** Apr. 22, 2003**

(54) **TIRE TREAD**

(75) Inventor: **Louis Ernest Zurita**, Copley, OH (US)

(73) Assignee: **The Goodyear Tire & Rubber Company**, Akron, OH (US)

(**) Term: **14 Years**

(21) Appl. No.: **29/159,751**

(22) Filed: **Apr. 26, 2002**

(51) **LOC (7) Cl.** **12-15**

(52) **U.S. Cl.** **D12/574; D12/595; D12/901**

(58) **Field of Search** D12/551, 552,
D12/553, 574, 586, 587, 588, 594, 595,
598, 600, 601; 152/209.1, 209.9, 209.13,
209.25, 209.28

(56) **References Cited**

U.S. PATENT DOCUMENTS

D465,763 S * 11/2002 Umstot et al. D12/600

OTHER PUBLICATIONS

Hankook Tire ad, Second Illustration from left, Tire Review Magazine, Mar. 2001, p. 7.*

Kumho 791 Touring A/S Tire, 2001 Tread Design Guide, Jan. 2001, p. 42. 3/5.*

Cooper SRM II Radial LT Tire, Cooper Light Truck and SUV Radial Tire Brochure.*

* cited by examiner

Primary Examiner—Robert M. Spear

(74) *Attorney, Agent, or Firm*—David L. King

(57) **CLAIM**

The ornamental Design for a tire tread, as shown and described.

DESCRIPTION

FIG. 1 is a perspective view of a tire tread showing our new design, it being understood that the pattern repeats uniformly throughout the circumference of the tread;

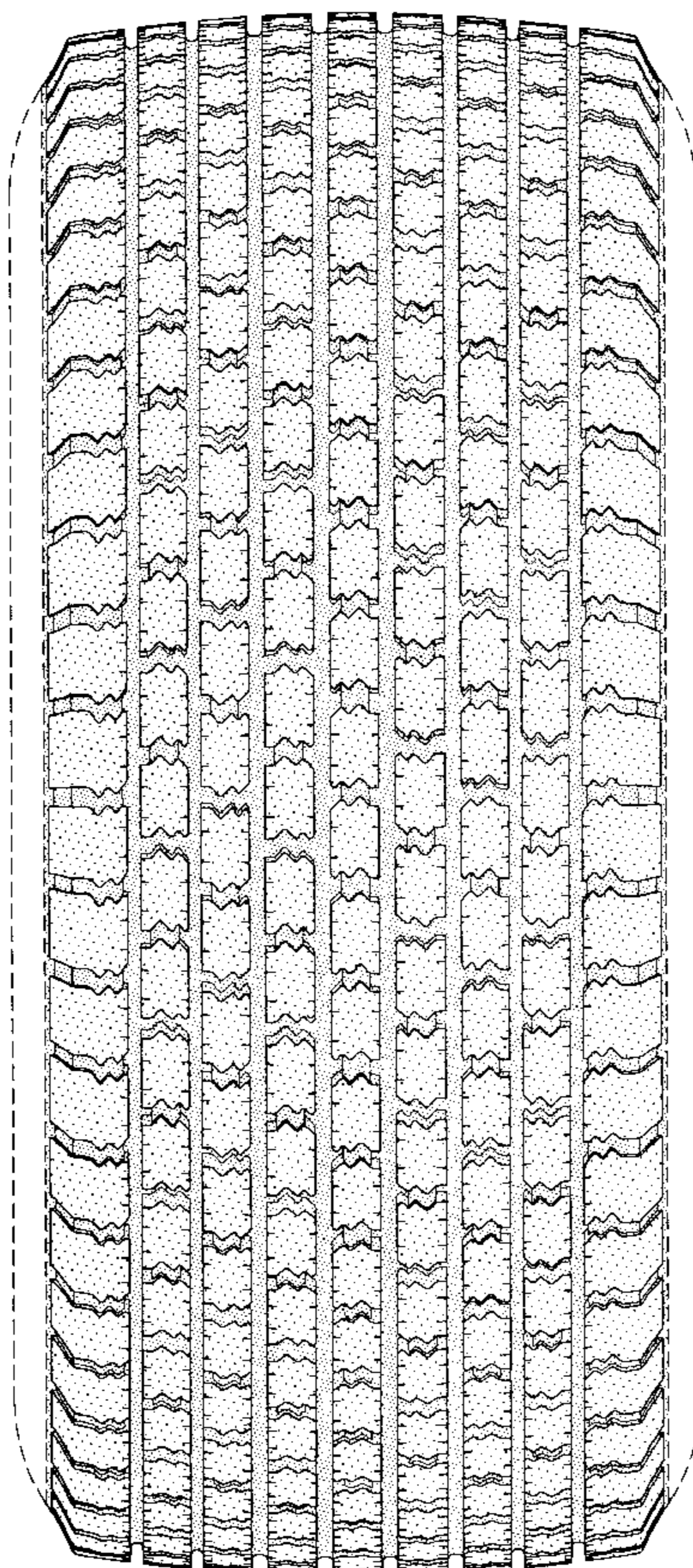
FIG. 2 is a front elevational view thereof;

FIG. 3 is a side elevational view thereof, the opposite side elevational view being identical thereto; and,

FIG. 4 is an enlarged fragmentary perspective view.

In the drawings, the broken lines defining the sidewall and inner bead and the peripheral boundary between the tire tread and the sidewall are for illustrative purposes only and form no part of the claimed design.

1 Claim, 4 Drawing Sheets



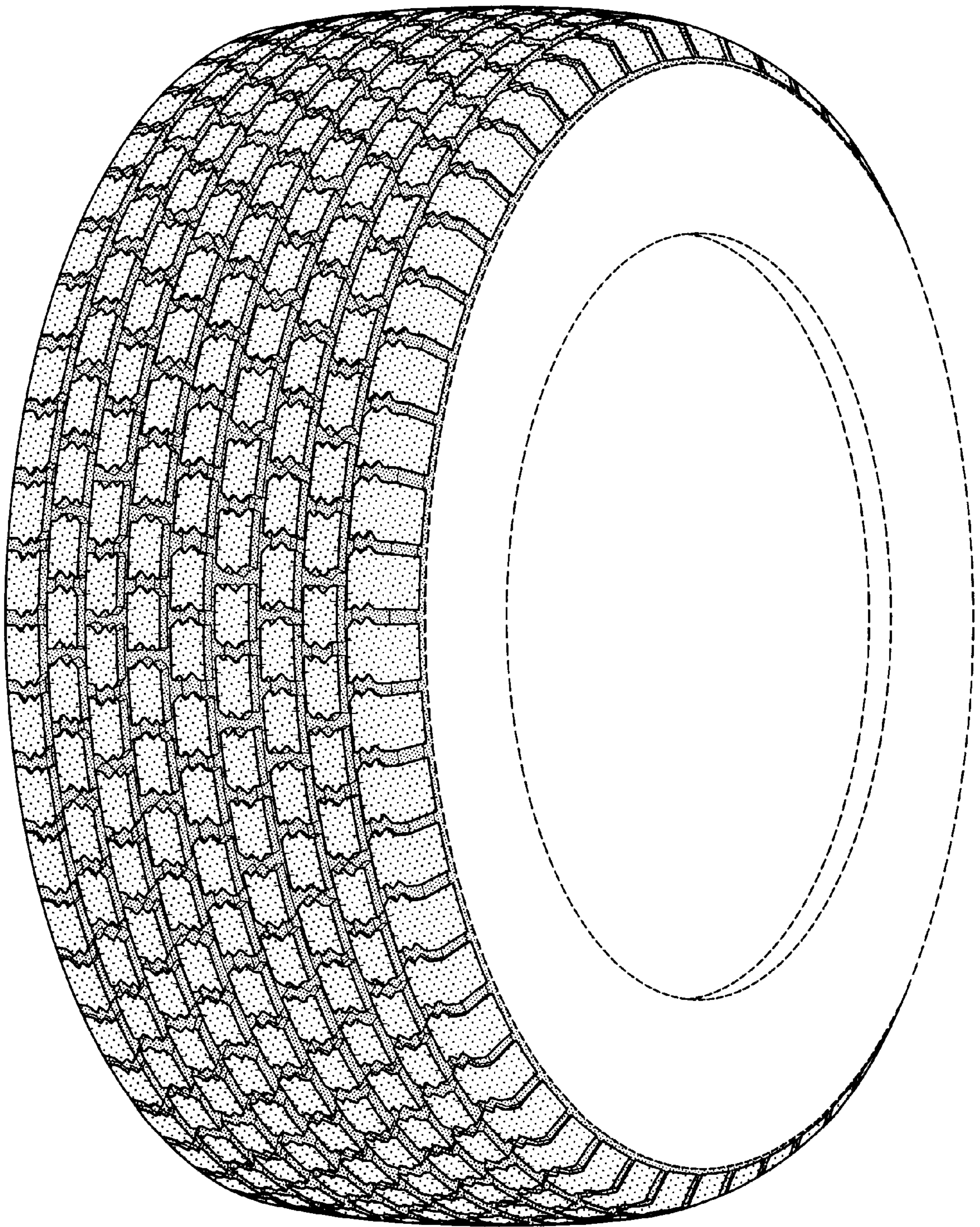


FIG-1

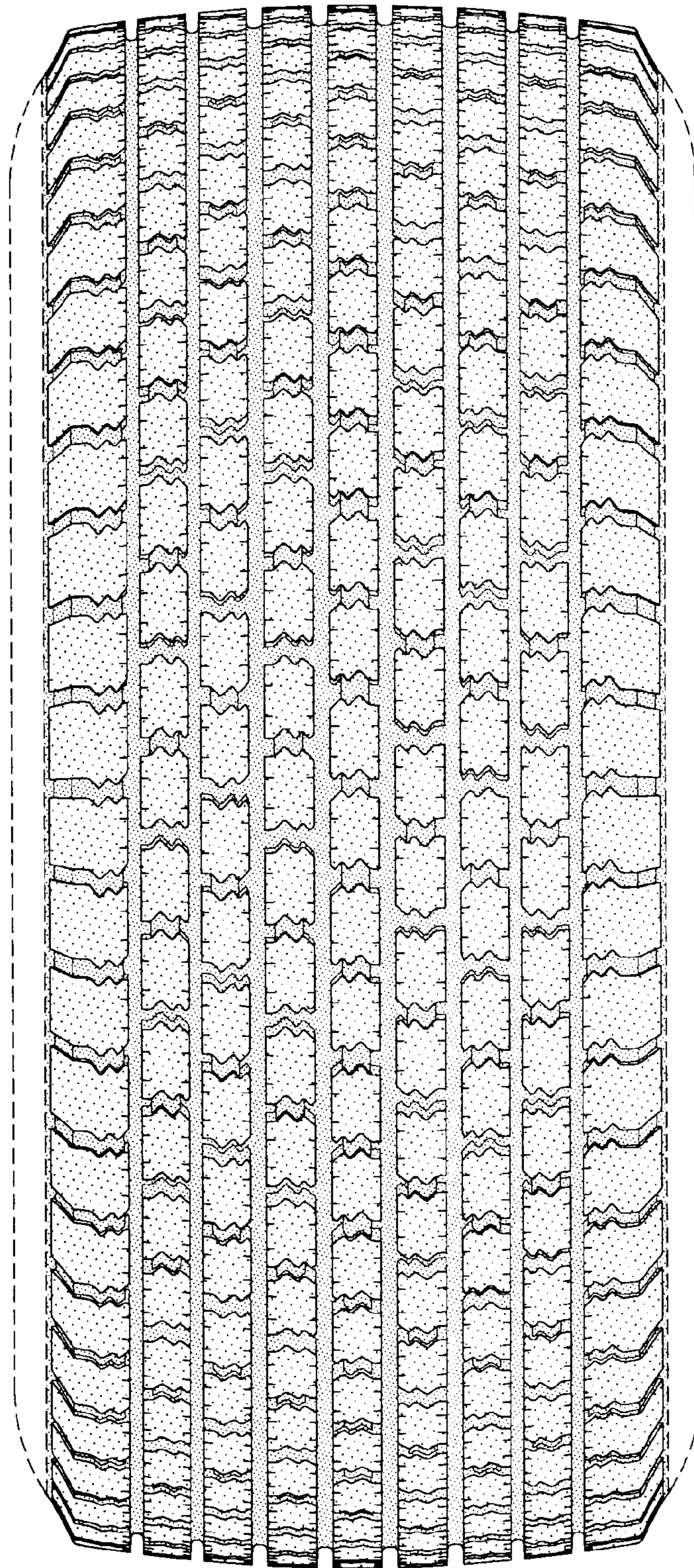


FIG-2

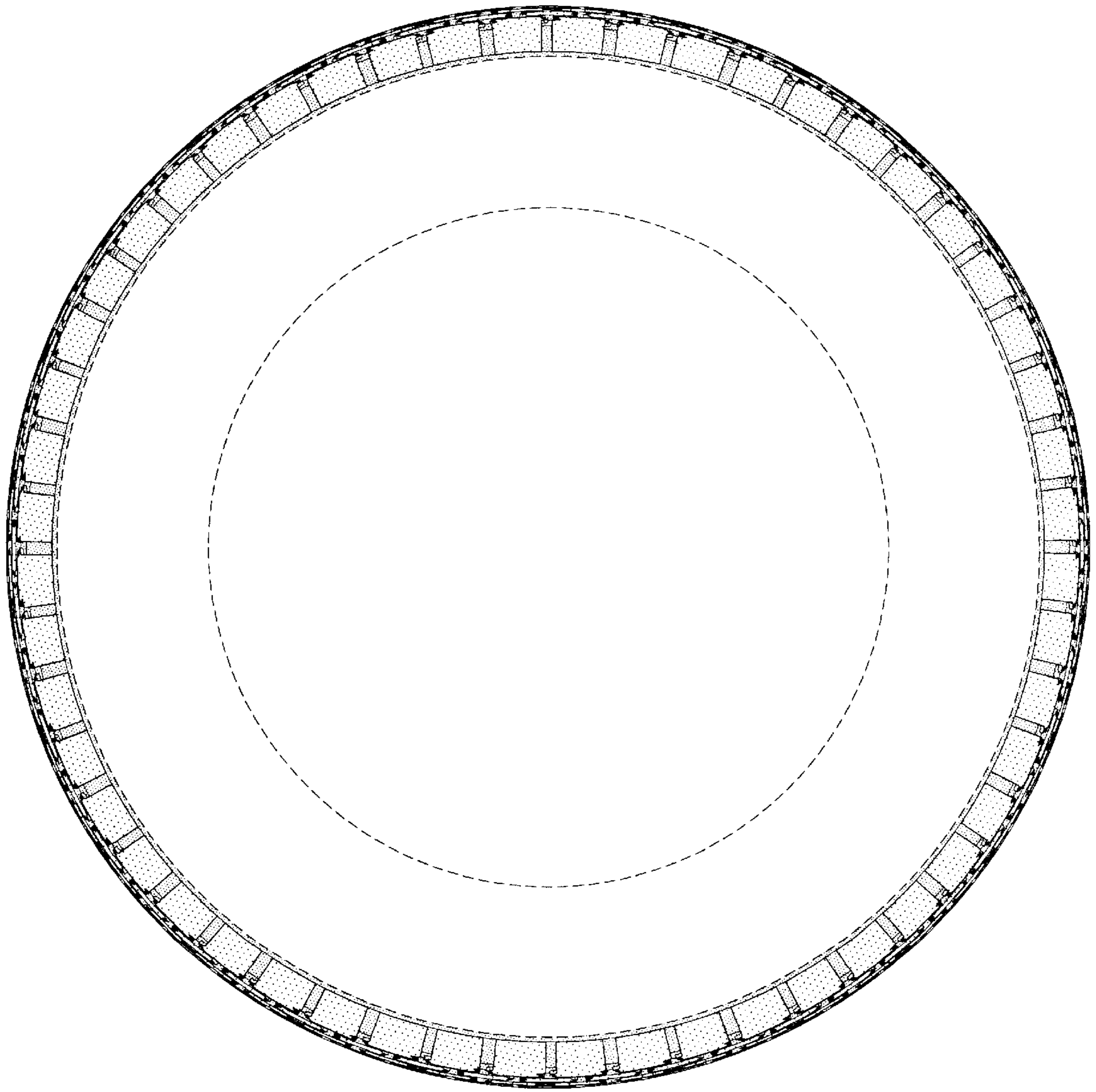


FIG-3

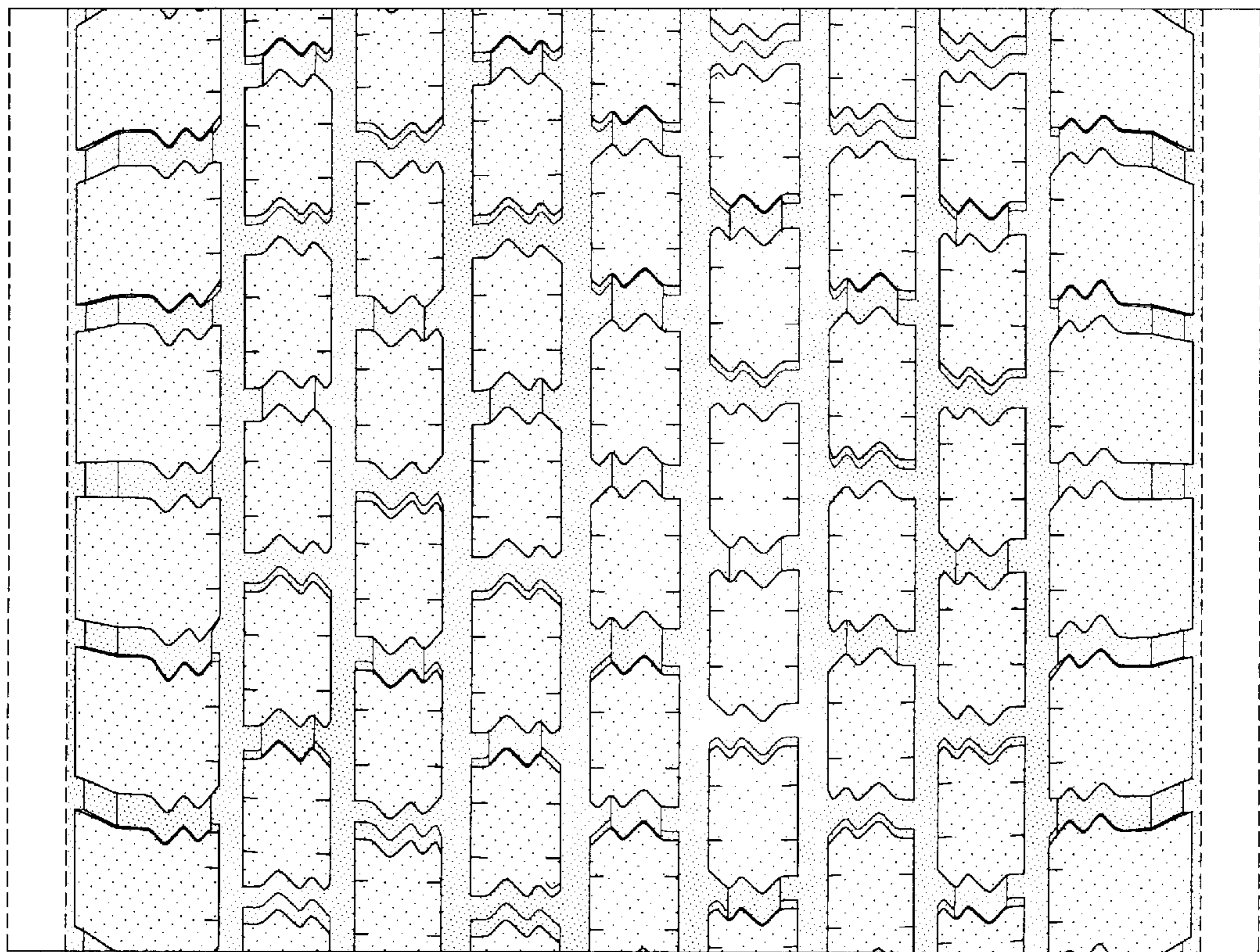


FIG-4