



US00D473507S

(12) **United States Design Patent**  
**Huang**

(10) **Patent No.:** **US D473,507 S**

(45) **Date of Patent:** **\*\* Apr. 22, 2003**

(54) **WIPER ADAPTER**

(76) Inventor: **Shih Hsien Huang**, 7Fl.-2, No.37,  
Jengshin St., Tzuoying Chiu, Kaohsiung  
(TW), 813

(\*\*) Term: **14 Years**

(21) Appl. No.: **29/164,580**

(22) Filed: **Jul. 29, 2002**

(51) **LOC (7) Cl.** ..... **12-06**

(52) **U.S. Cl.** ..... **D12/220**

(58) **Field of Search** ..... D12/219, 220;  
15/250.05, 250.07, 250.31–250.33, 250.351,  
250.361, 250.38–250.42

(56) **References Cited**

**U.S. PATENT DOCUMENTS**

D353,358 S	*	12/1994	Lee	.....	D12/220
D357,891 S	*	5/1995	Lee	.....	D12/220
D395,271 S	*	6/1998	Kim	.....	D12/220
D402,254 S	*	12/1998	Lee	.....	D12/220

D404,354 S	*	1/1999	Witek et al.	.....	D12/220
D411,503 S	*	6/1999	Lee	.....	D12/220
D418,474 S	*	1/2000	Witek et al.	.....	D12/220
D444,760 S	*	7/2001	Houssat et al.	.....	D12/220

\* cited by examiner

*Primary Examiner*—Stacia Cadmus

(74) *Attorney, Agent, or Firm*—Raymond Y. Chan; David and Raymond Patent Group

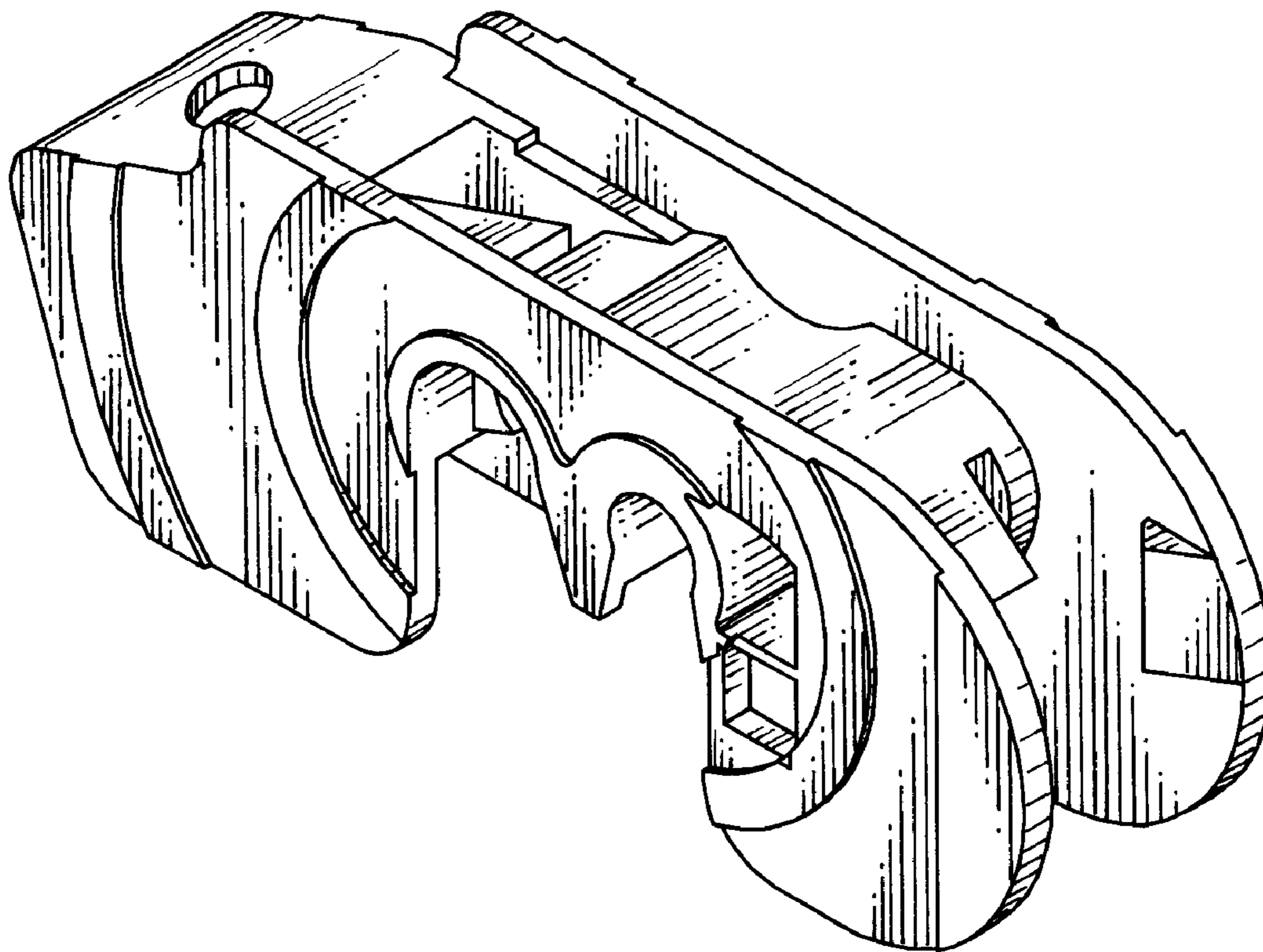
(57) **CLAIM**

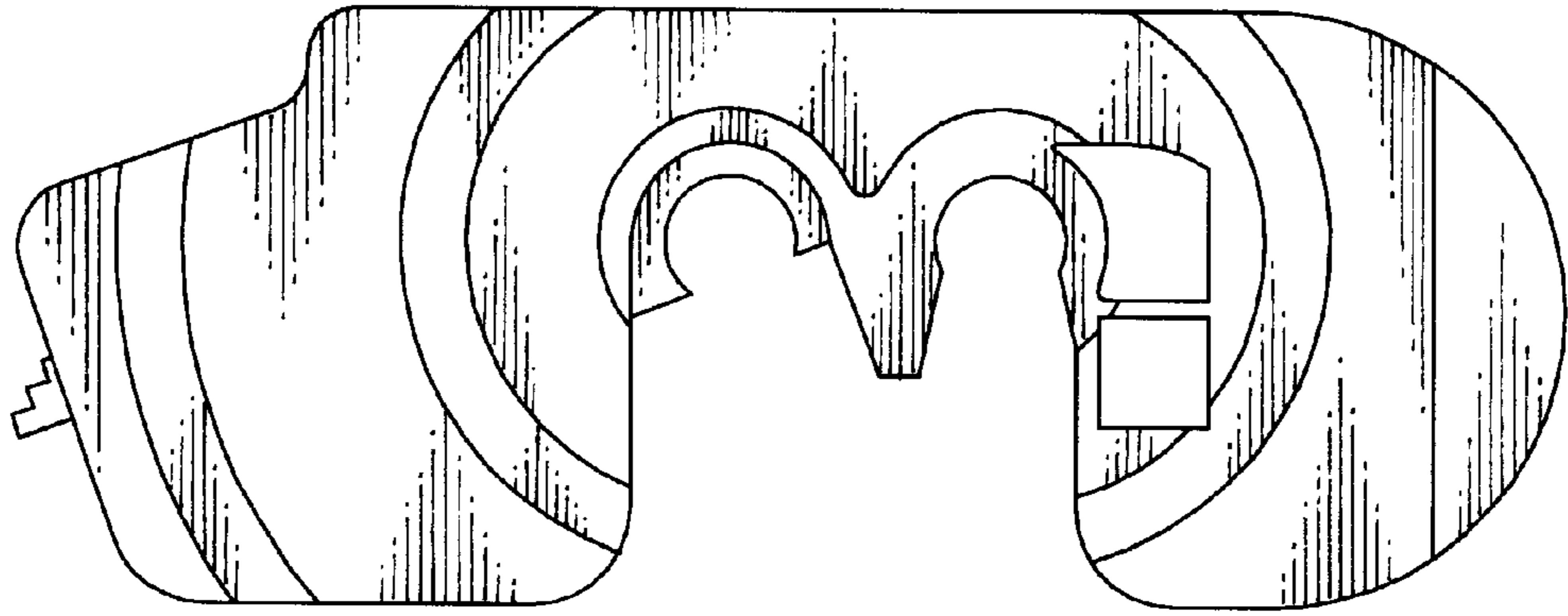
The ornamental design for a wiper adapter, as shown.

**DESCRIPTION**

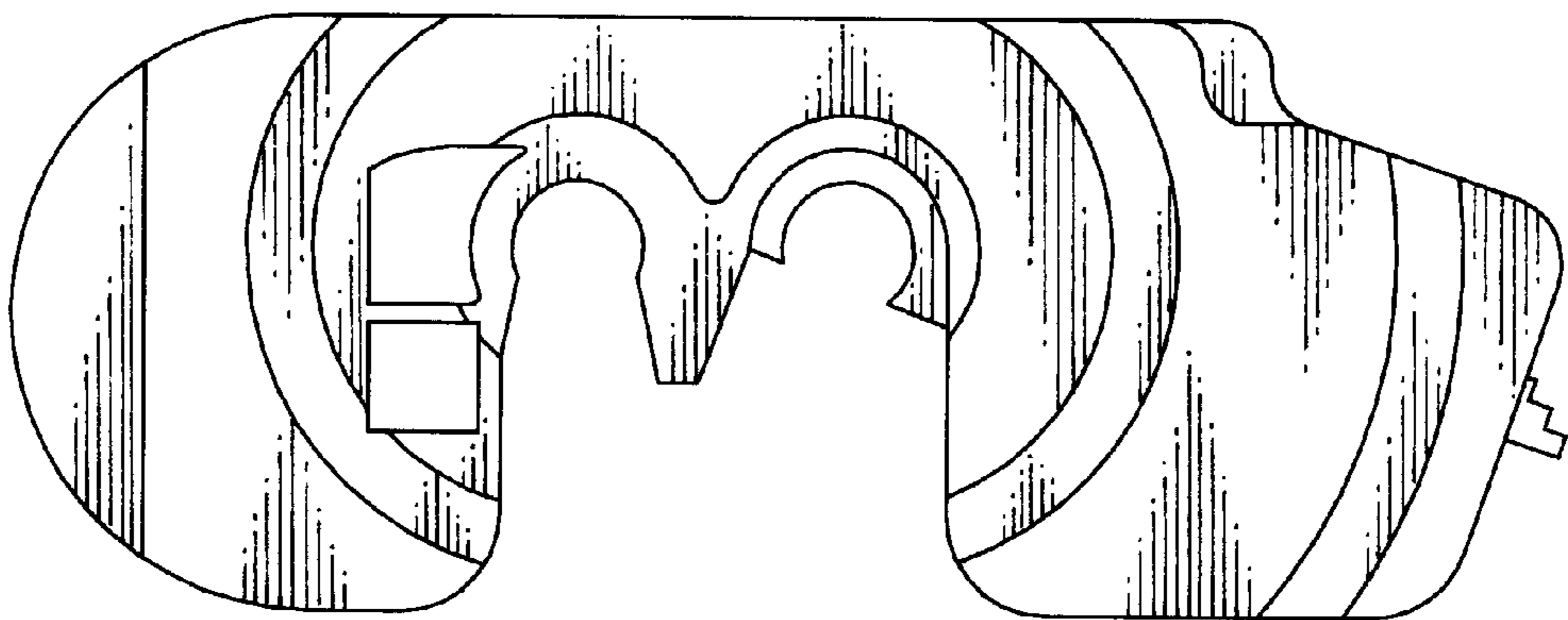
FIG. 1 is a front view thereof;  
FIG. 2 is a rear view thereof;  
FIG. 3 is a left view thereof;  
FIG. 4 is a right view thereof;  
FIG. 5 is a top view thereof;  
FIG. 6 is a bottom view thereof;  
FIG. 7 is a front perspective view thereof; and,  
FIG. 8 is a rear perspective view thereof.

**1 Claim, 4 Drawing Sheets**

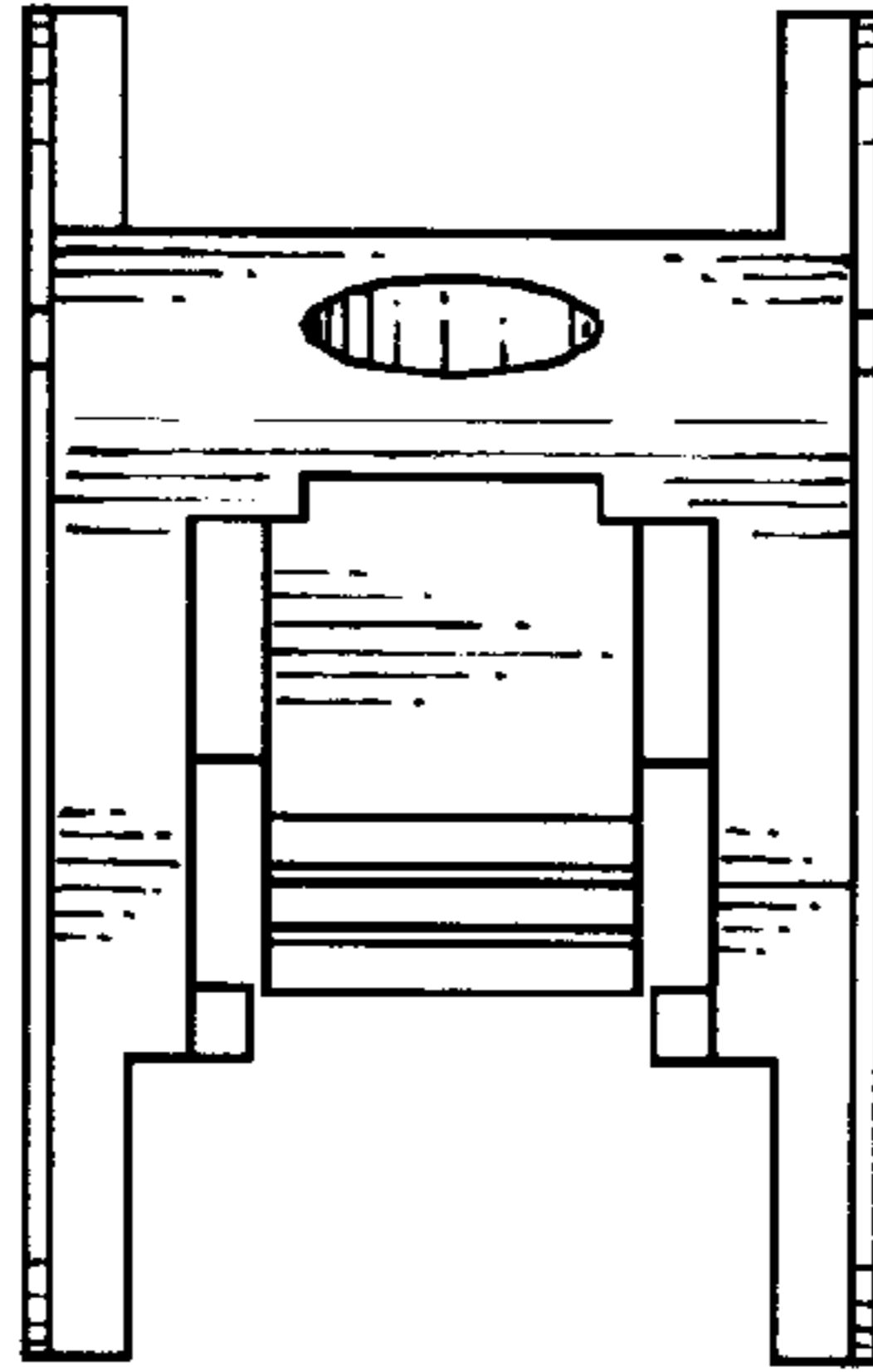




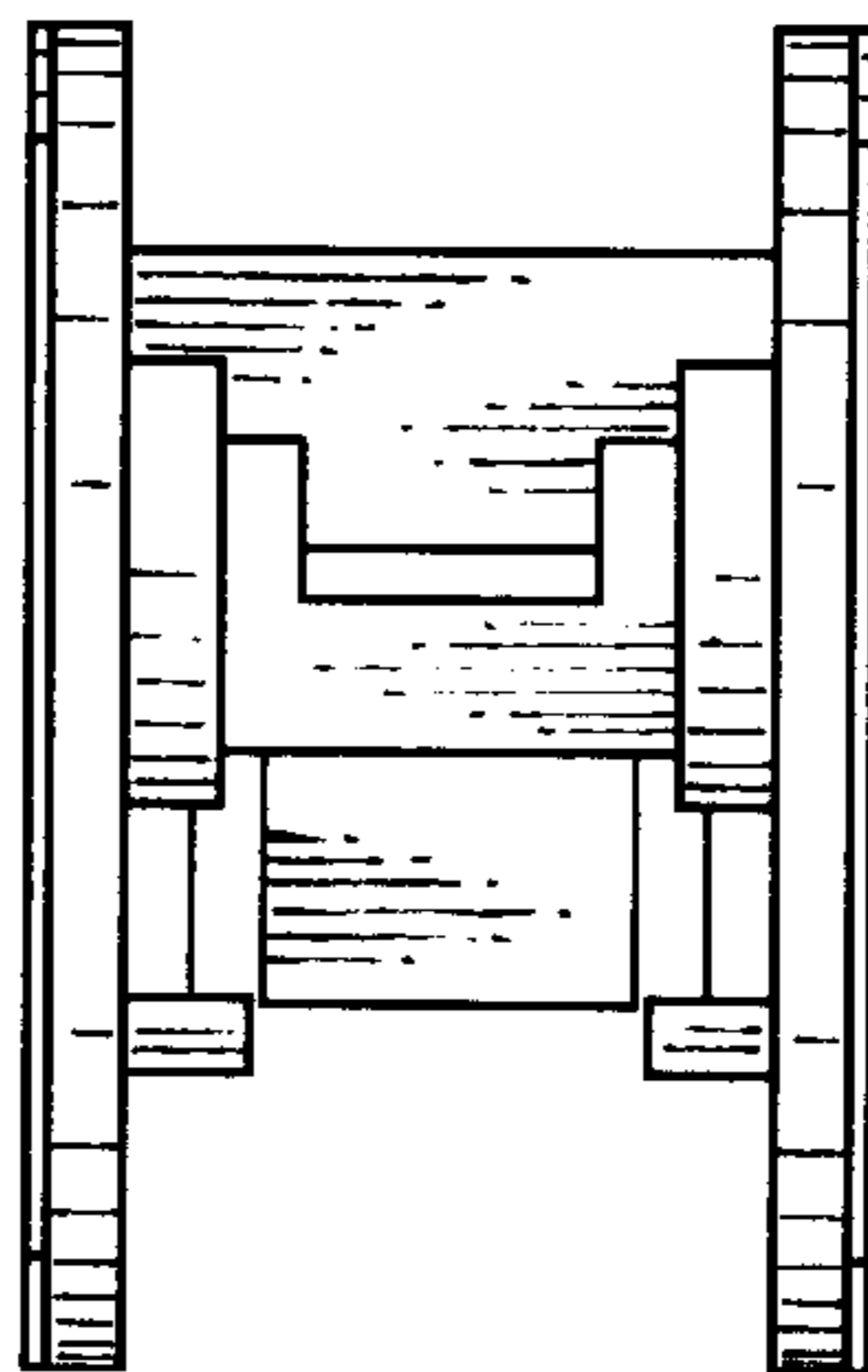
*Fig. 1*



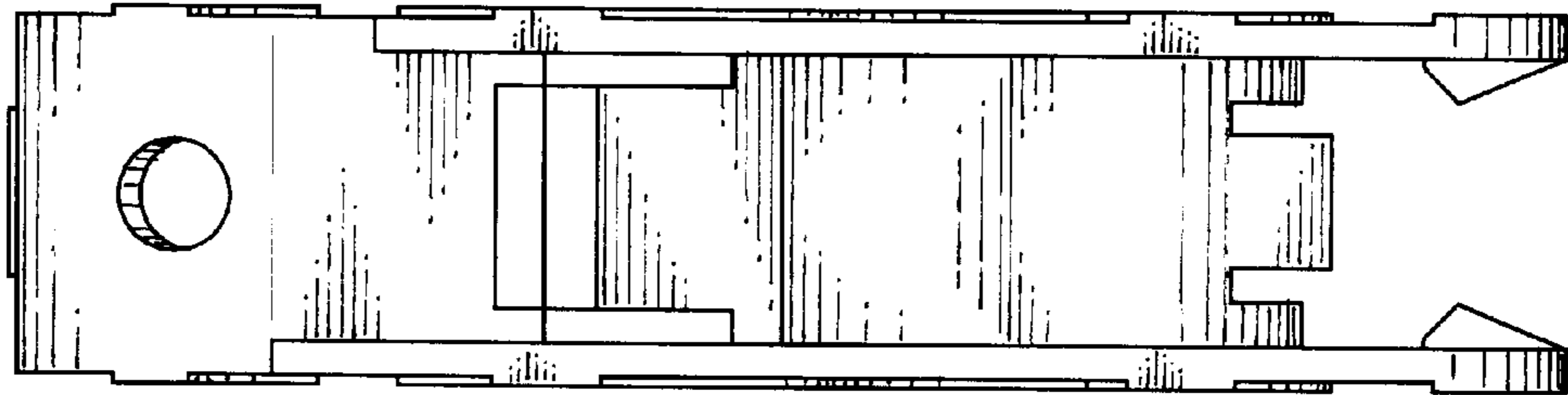
*Fig. 2*



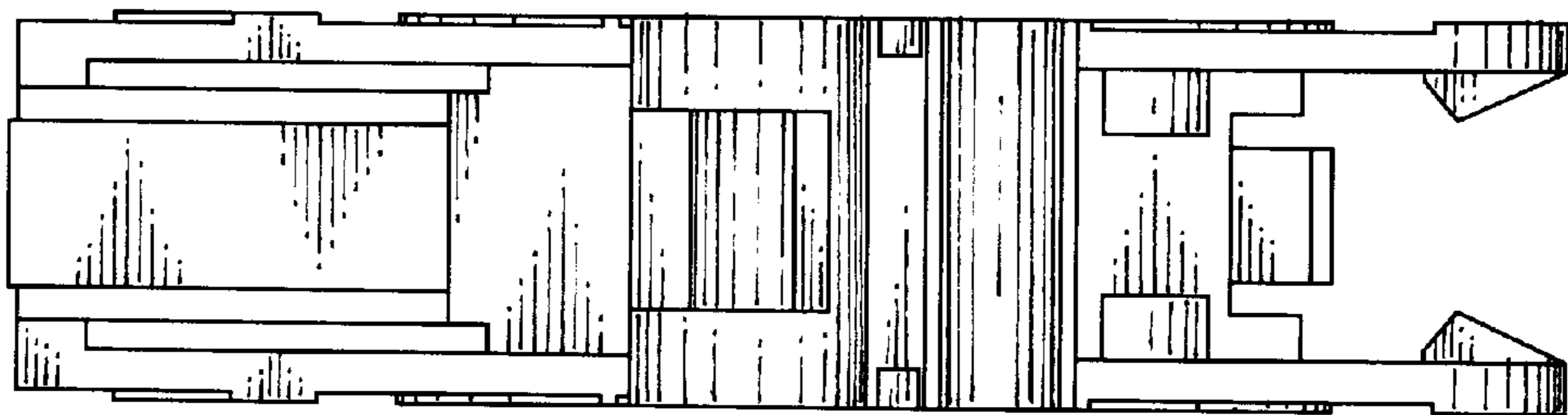
*Fig. 3*



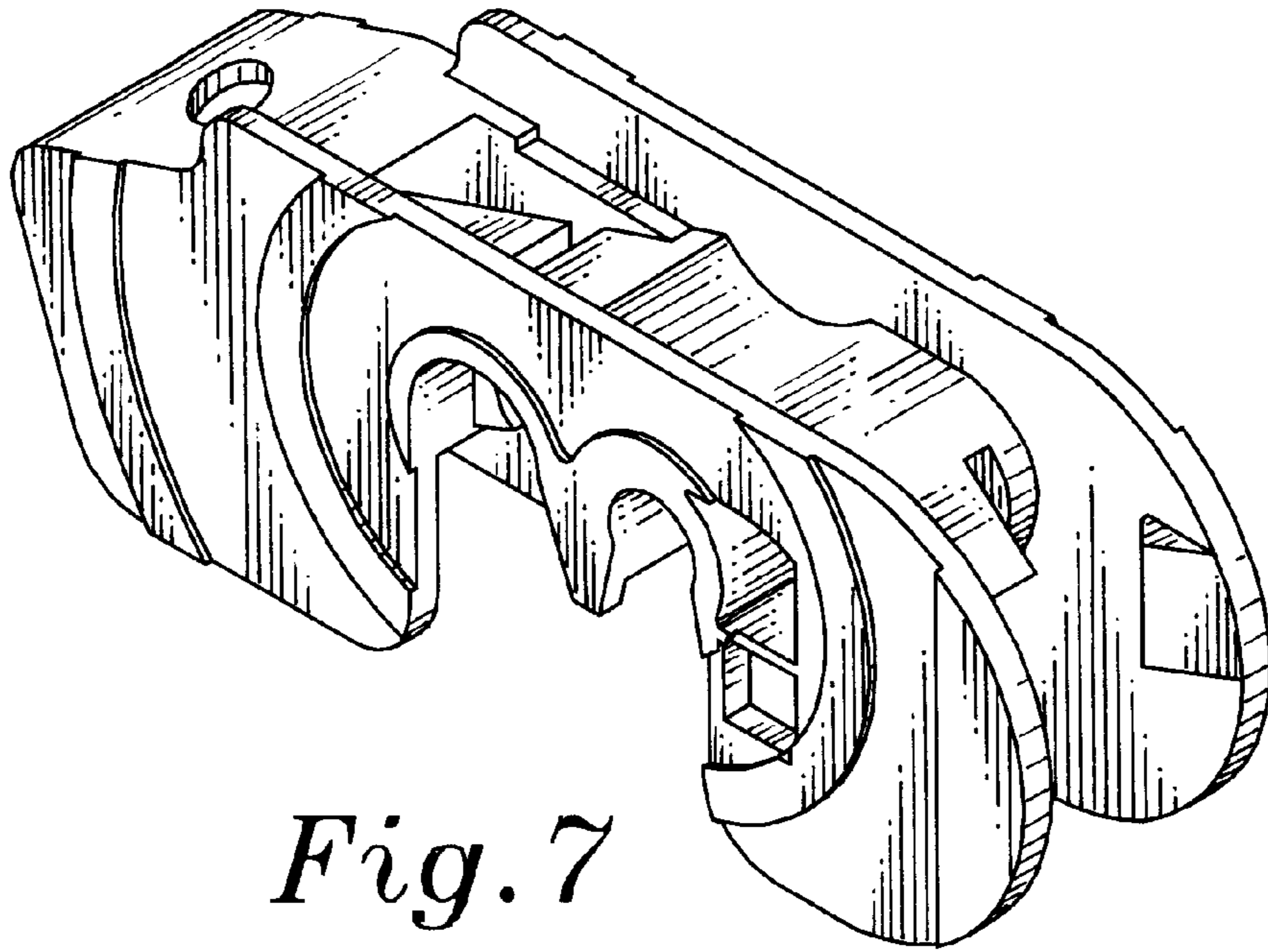
*Fig. 4*



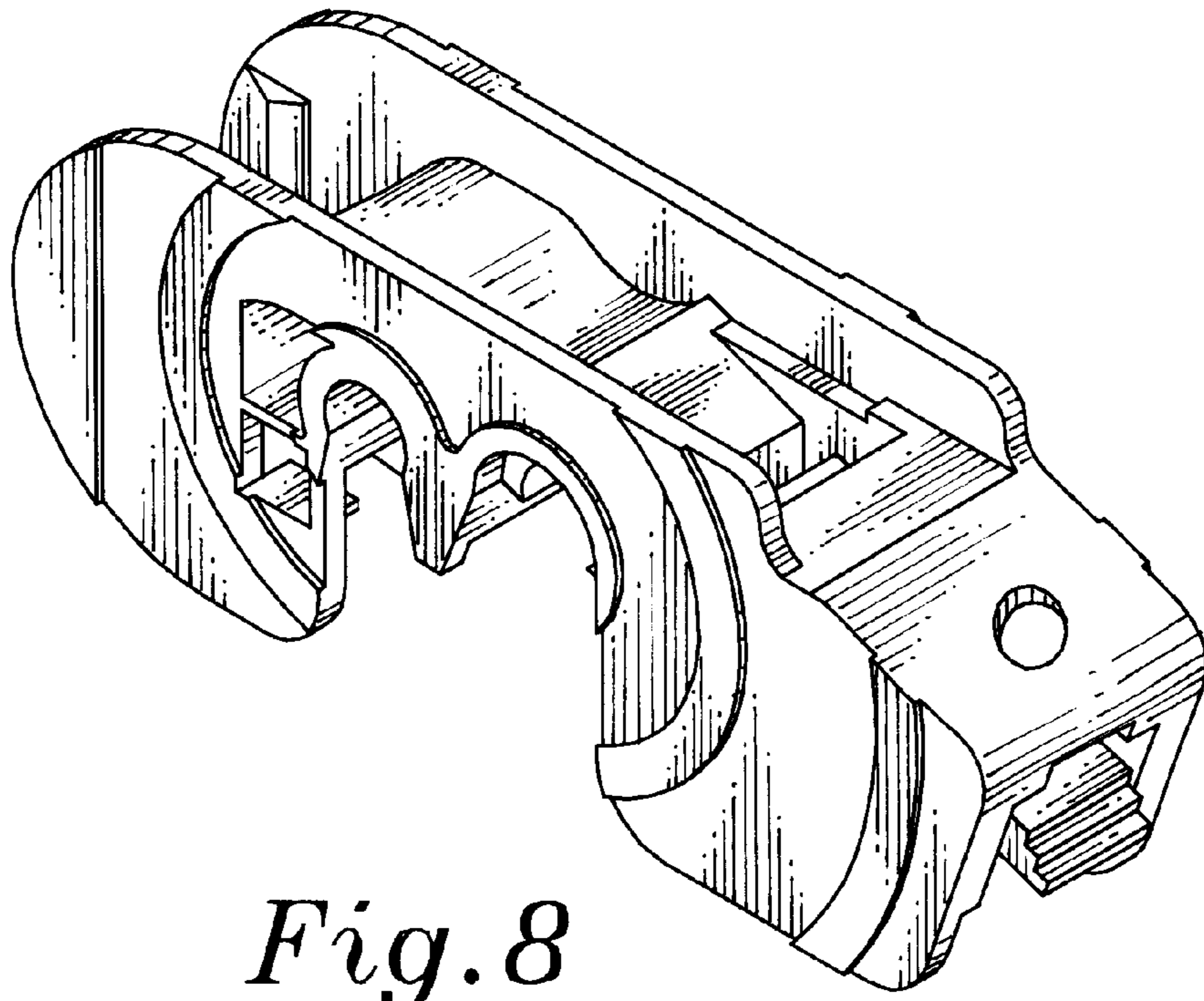
*Fig. 5*



*Fig. 6*



*Fig. 7*



*Fig. 8*