



US00D473506S

(12) **United States Design Patent**
Laengerer

(10) **Patent No.:** **US D473,506 S**

(45) **Date of Patent:** **** Apr. 22, 2003**

(54) **FRONT FACE OF A VEHICLE WHEEL**

(75) **Inventor:** **Marcus Laengerer, Renningen (DE)**

(73) **Assignee:** **DaimlerChrysler AG, Stuttgart (DE)**

(**) **Term:** **14 Years**

(21) **Appl. No.:** **29/165,864**

(22) **Filed:** **Aug. 20, 2002**

(30) **Foreign Application Priority Data**

Feb. 25, 2002 (DE) 402 01 598

(51) **LOC (7) Cl.** **12-16**

(52) **U.S. Cl.** **D12/211**

(58) **Field of Search** **D12/204-211;**
301/37.101, 64.101, 65

(56) **References Cited**

U.S. PATENT DOCUMENTS

| | | | | | |
|------------|---|---------|-----------------|-------|---------|
| D374,420 S | * | 10/1996 | Neeper | | D12/209 |
| D386,738 S | * | 11/1997 | Doyle | | D12/209 |
| D408,003 S | * | 4/1999 | Sacco et al. | | D12/209 |
| D425,470 S | * | 5/2000 | Pfeiffer et al. | | D12/209 |
| D425,847 S | * | 5/2000 | Iguchi | | D12/209 |
| D436,572 S | * | 1/2001 | Brown | | D12/209 |
| D440,933 S | * | 4/2001 | Vian | | D12/209 |
| D443,580 S | * | 6/2001 | Kubo | | D12/211 |
| D446,180 S | * | 8/2001 | Sulahian et al. | | D12/211 |

| | | | | | |
|------------|---|---------|-----------|-------|---------|
| D448,712 S | * | 10/2001 | Laengerer | | D12/209 |
| D450,030 S | * | 11/2001 | Pfeiffer | | D12/211 |
| D451,061 S | * | 11/2001 | Ishihara | | D12/209 |
| D451,062 S | * | 11/2001 | Yoshida | | D12/209 |
| D451,063 S | * | 11/2001 | Yoshida | | D12/209 |
| D451,065 S | * | 11/2001 | Braun | | D12/211 |
| D466,466 S | * | 12/2002 | Laengerer | | D12/211 |

* cited by examiner

Primary Examiner—Stacia Cadmus

(74) *Attorney, Agent, or Firm*—Crowell & Moring LLP

(57) **CLAIM**

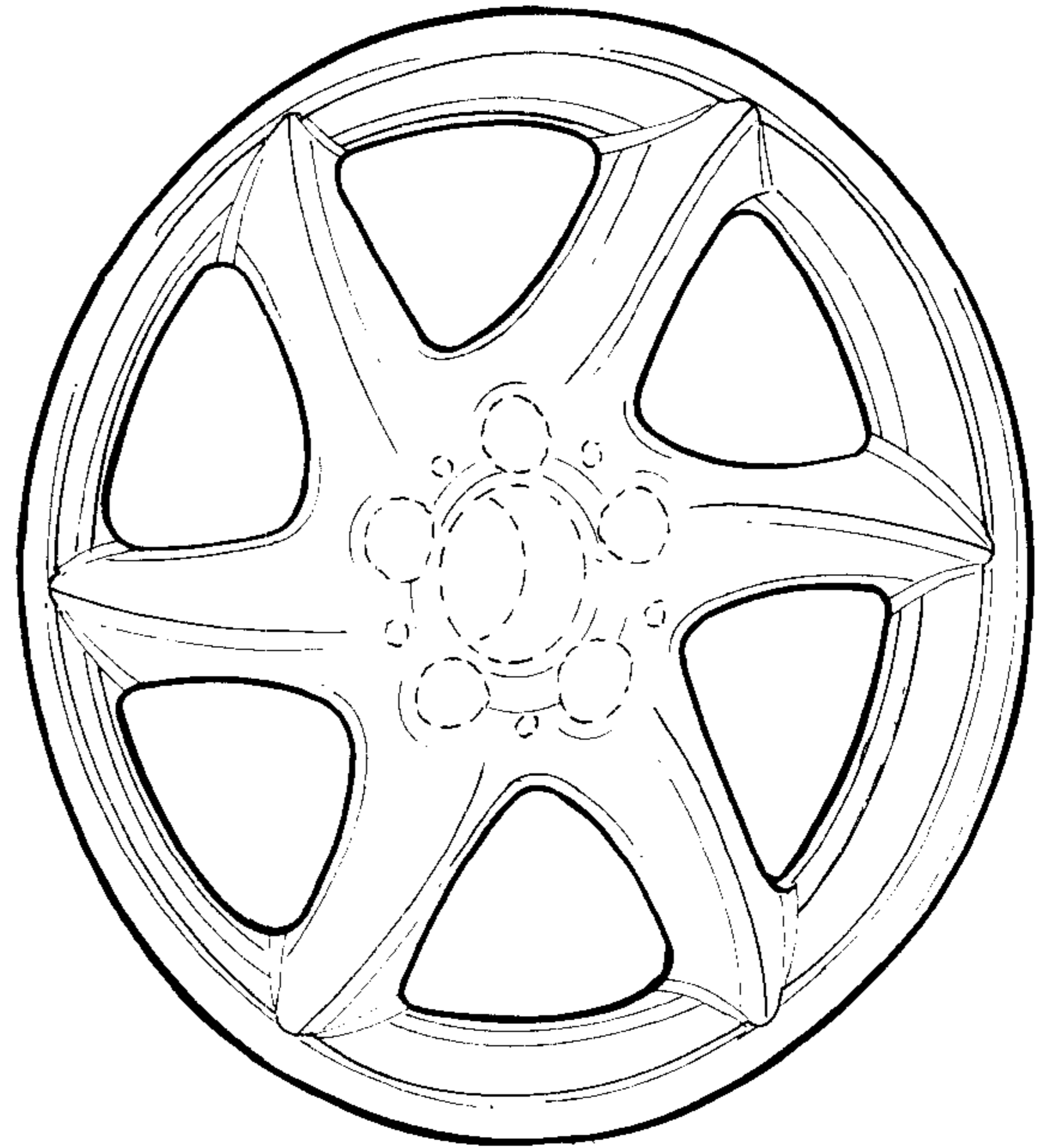
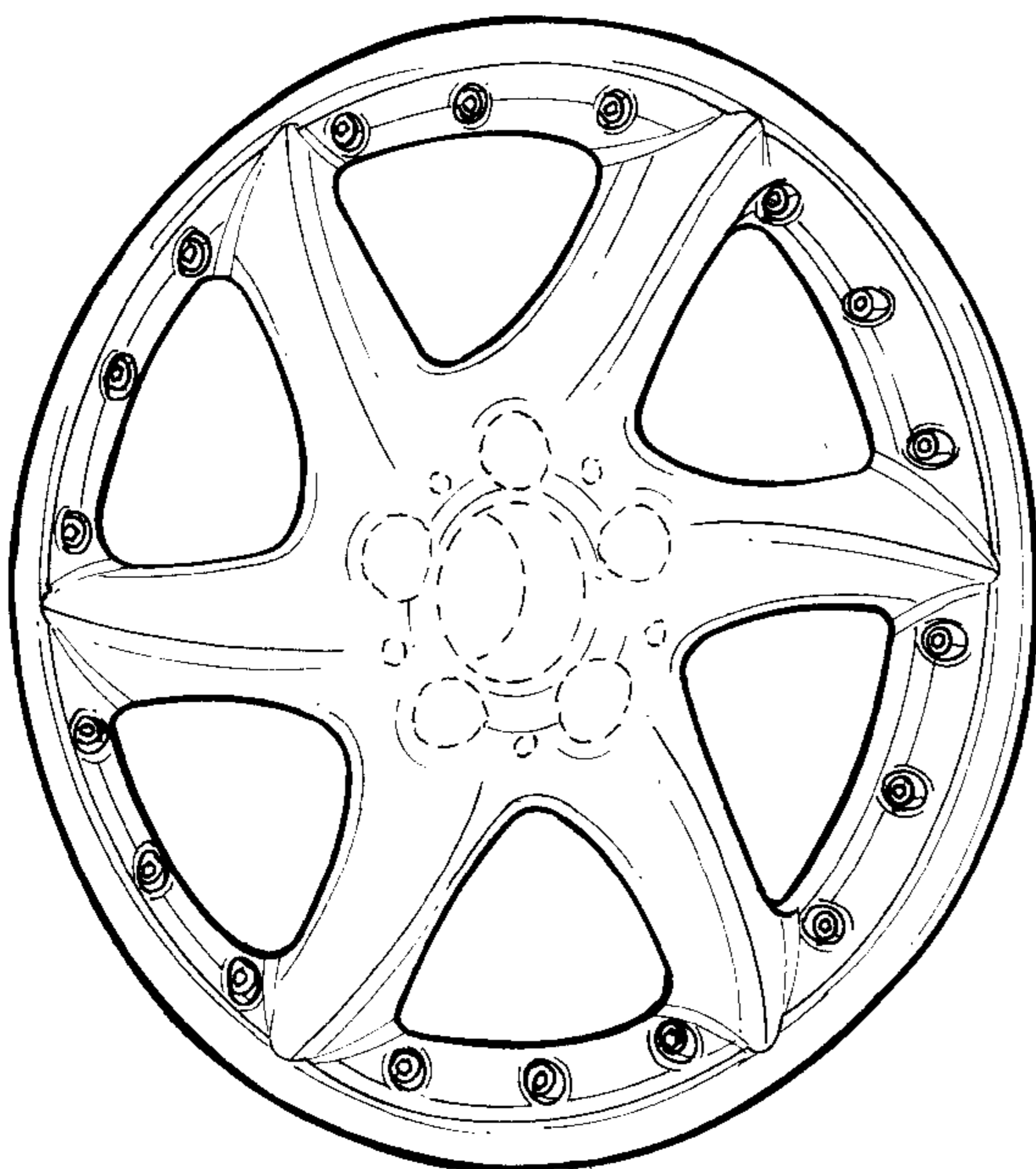
The ornamental design for a front face of a vehicle wheel, as shown and described.

DESCRIPTION

FIG. 1 is a front view of a first embodiment of a front face of a vehicle wheel according to my novel design; FIG. 2 is a perspective view of the first embodiment of the front face of a vehicle wheel according to my novel design; FIG. 3 is a front view of a second embodiment of the front face of a vehicle wheel according to my novel design; and, FIG. 4 is a perspective view of the second embodiment of the front face of a vehicle wheel according to my novel design.

The dash lines included depict environment and are not part of the claimed design.

1 Claim, 2 Drawing Sheets



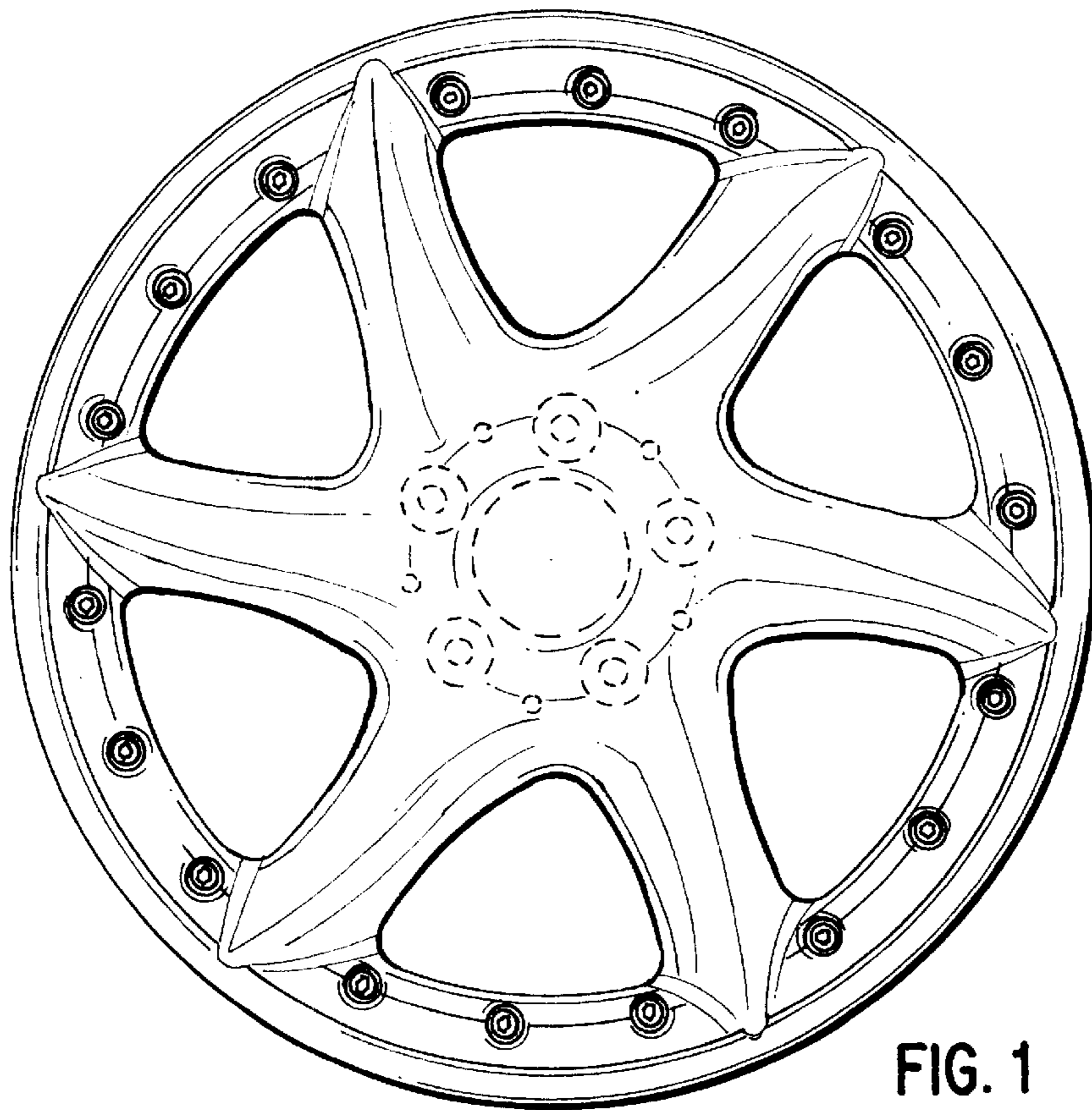


FIG. 1

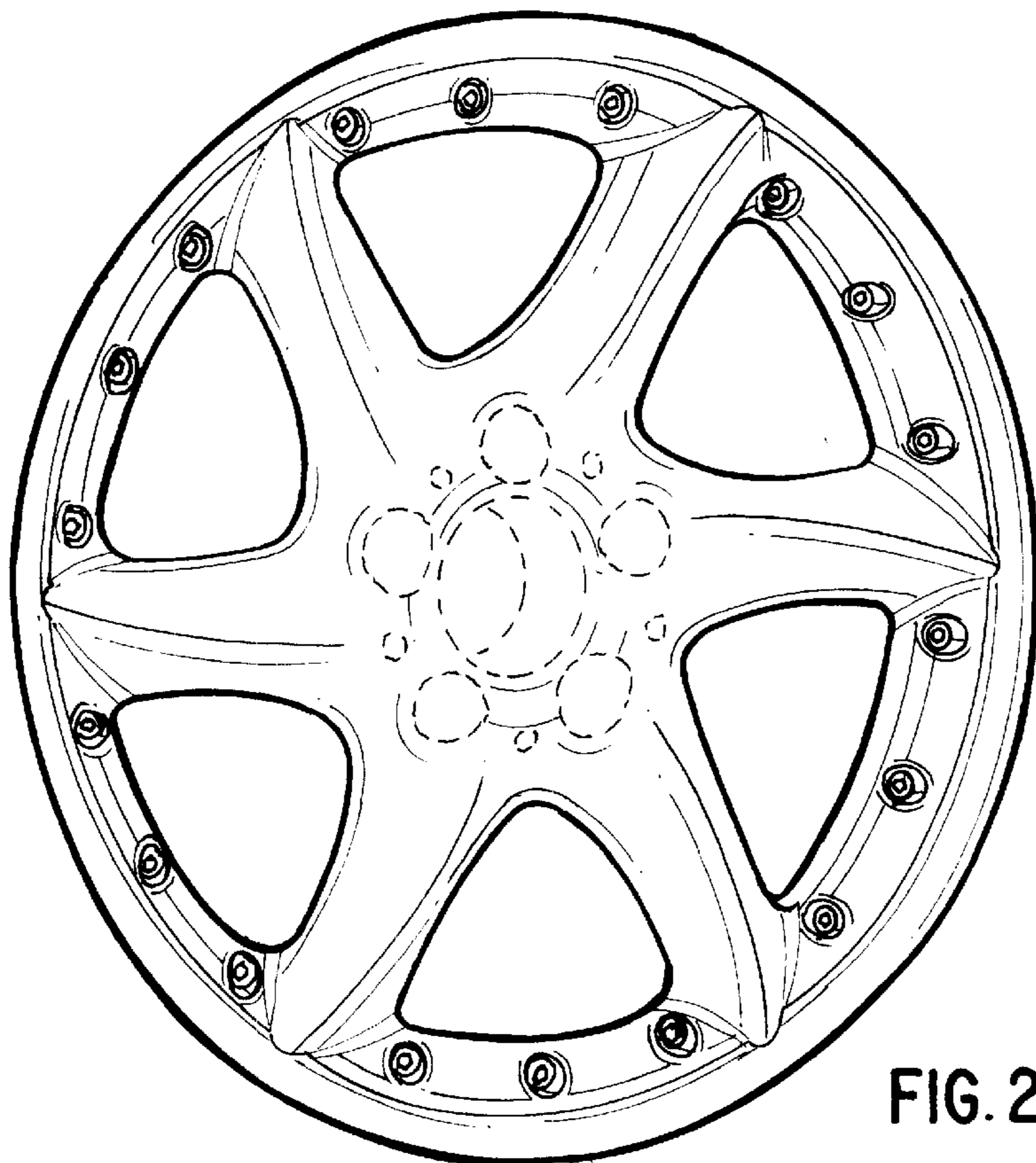


FIG. 2

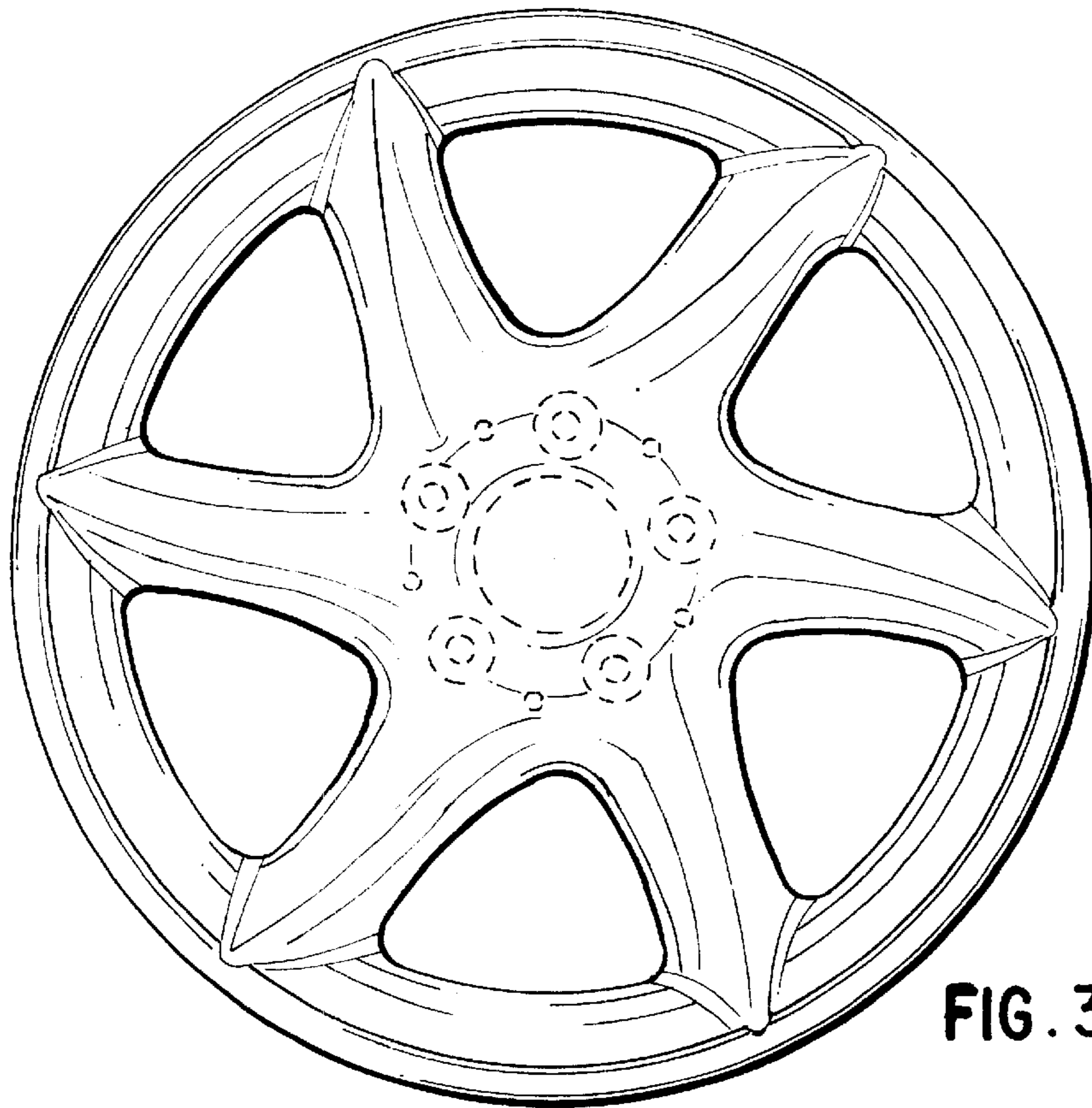


FIG. 3

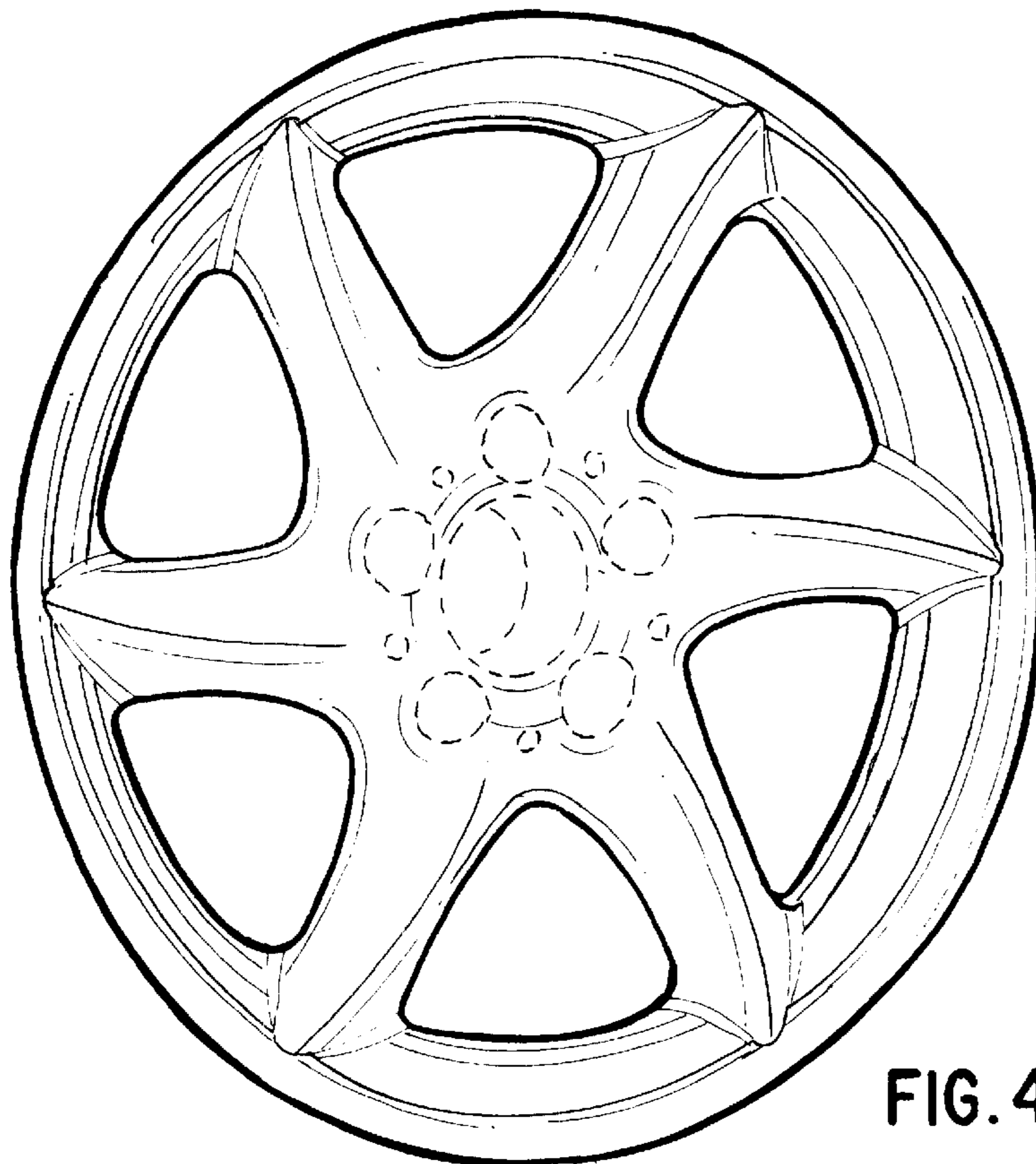


FIG. 4