



US00D473503S

(12) **United States Design Patent**  
**Byrne**

(10) **Patent No.:** **US D473,503 S**

(45) **Date of Patent:** **\*\* Apr. 22, 2003**

(54) **TRANSPARENT UNITED STATES FLAG LICENSE PLATE COVER**

*Primary Examiner*—Robert M. Spear  
(74) *Attorney, Agent, or Firm*—Dorsey & Whitney LLP

(76) **Inventor:** **Stephen M. Byrne**, 1781 S. Valentine Way, Lakewood, CO (US) 80228

(57) **CLAIM**

The ornamental design for a transparent United States flag license plate cover, as shown and described.

(\*\*) **Term:** **14 Years**

**DESCRIPTION**

(21) **Appl. No.:** **29/162,973**

FIG. 1 is a perspective view of a transparent United States flag license plate cover according to the present invention; FIG. 2 is a front view of the embodiment illustrated in FIG. 1;

(22) **Filed:** **Jun. 24, 2002**

(51) **LOC (7) Cl.** ..... **12-16**

FIG. 3 is a top view of the embodiment illustrated in FIG. 1;

(52) **U.S. Cl.** ..... **D12/193; D20/13**

FIG. 4 is a right side view of the embodiment illustrated in FIG. 1;

(58) **Field of Search** ..... D11/131, 132, D11/133, 138, 140, 157, 165, 167, 180; D12/193; D20/10, 11, 13, 14, 19, 24; 40/200, 204, 205, 206, 208, 209; 116/173-175; 428/914

FIG. 5 is a rear view of the embodiment illustrated in FIG. 1;

(56) **References Cited**

**U.S. PATENT DOCUMENTS**

102,267	A	*	4/1870	Holt	.....	116/173
1,534,652	A	*	4/1925	Lorenz	.....	116/173
D133,412	S	*	8/1942	Horn	.....	D20/13
D273,576	S	*	4/1984	Millan-Derichon	.....	D11/167
4,987,848	A	*	1/1991	Todd	.....	116/173
D354,455	S	*	1/1995	Hosker	.....	D11/132
D376,122	S	*	12/1996	Stine et al.	.....	D11/165
D454,244	S	*	3/2002	Scheff	.....	D99/34

FIG. 6 is a front view of an alternative embodiment of a transparent United States flag license plate cover according to the present invention;

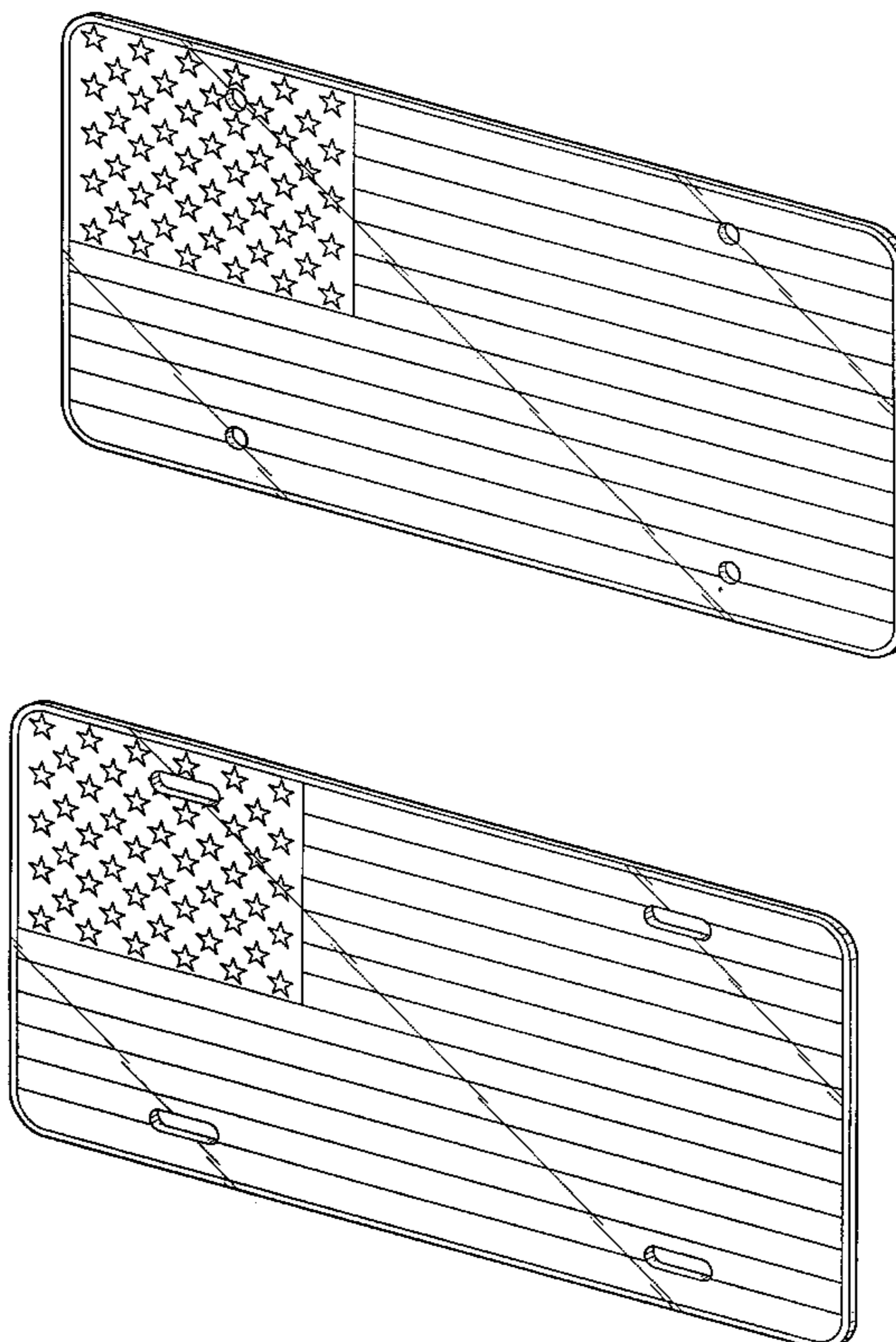
FIG. 7 is a top view of the embodiment illustrated in FIG. 1;

FIG. 8 is a right side view of the embodiment illustrated in FIG. 1; and,

FIG. 9 is a perspective view of an embodiment of the invention defining a plurality of mounting slots.

\* cited by examiner

**1 Claim, 5 Drawing Sheets**



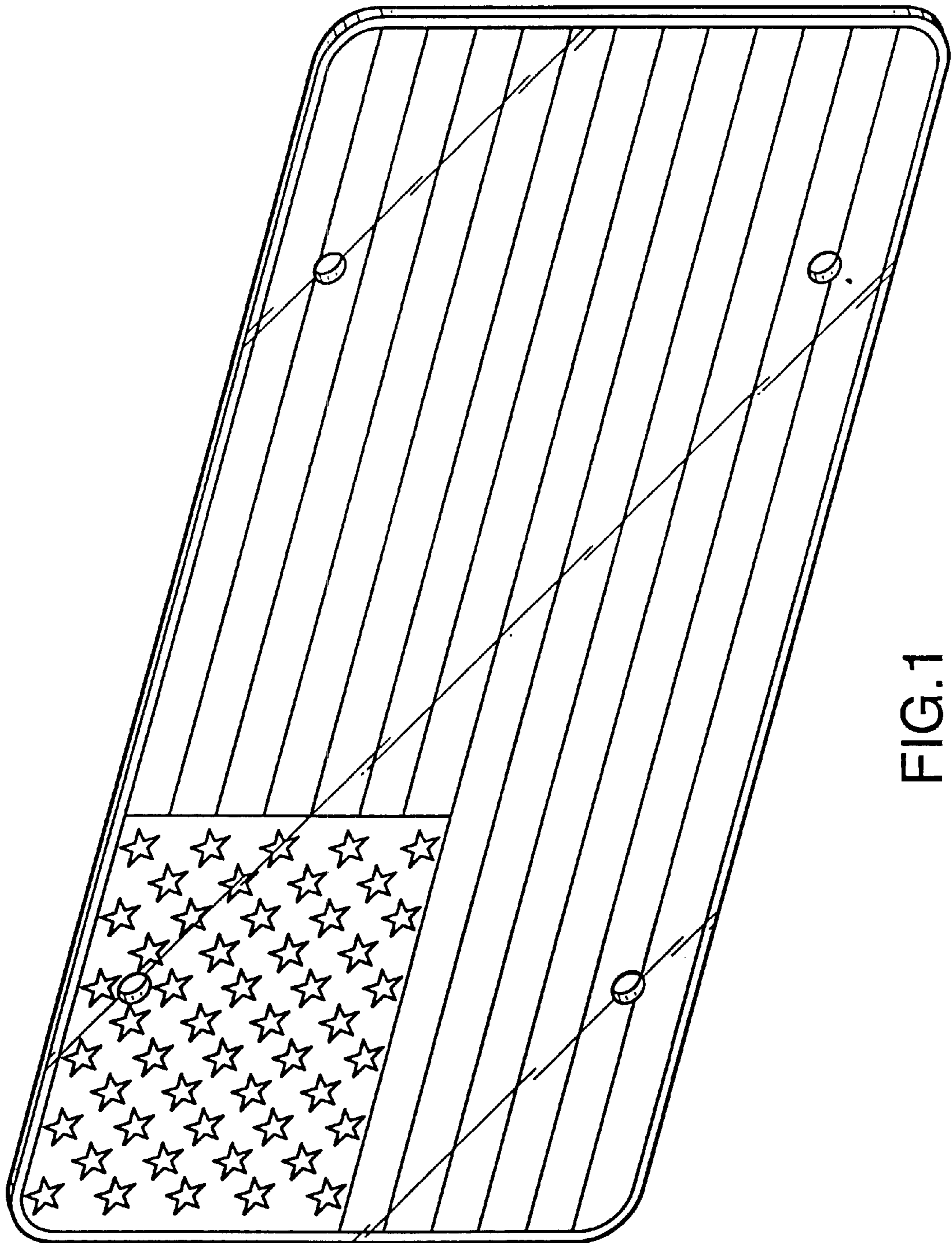


FIG.1



FIG.3

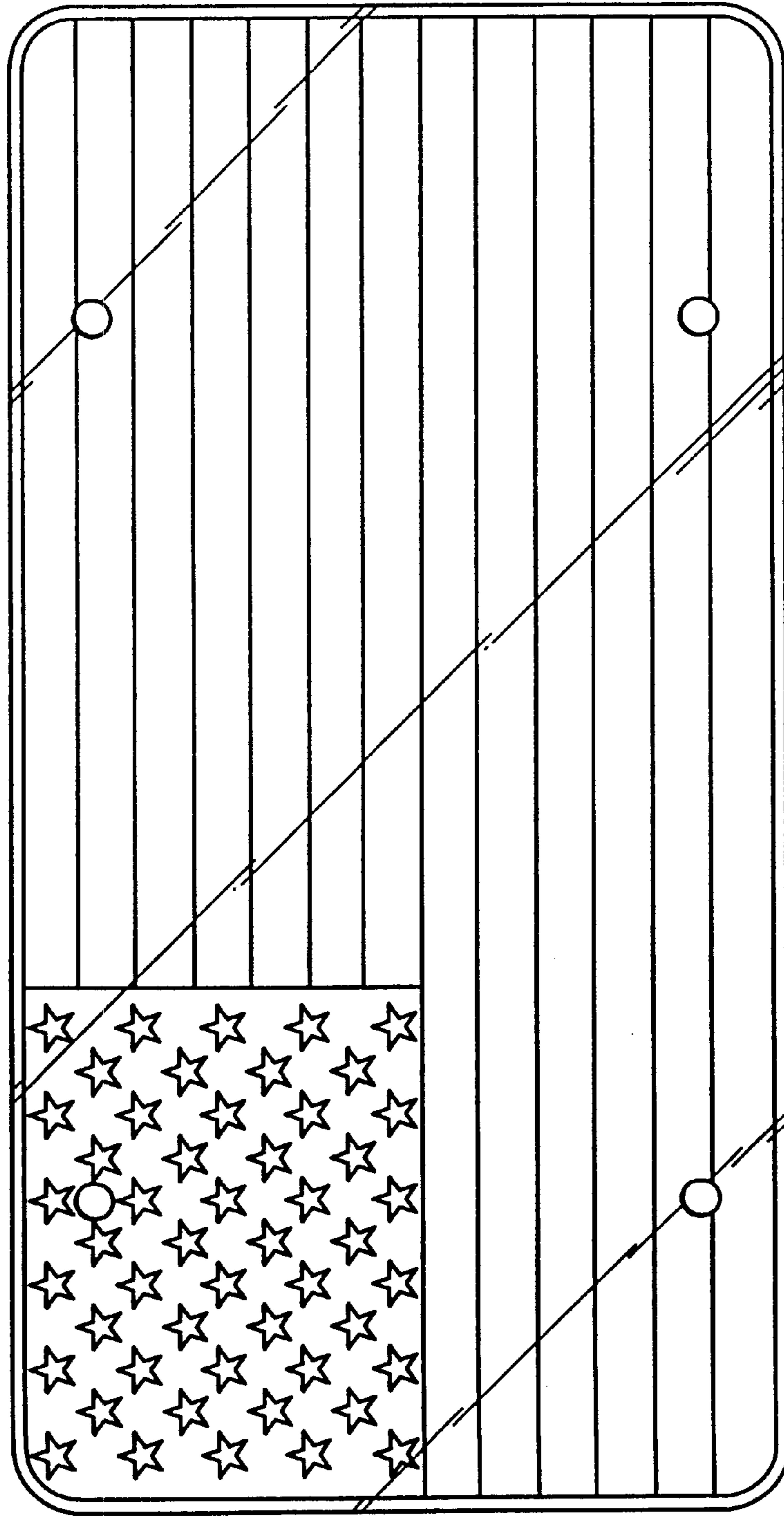


FIG.2



FIG.4

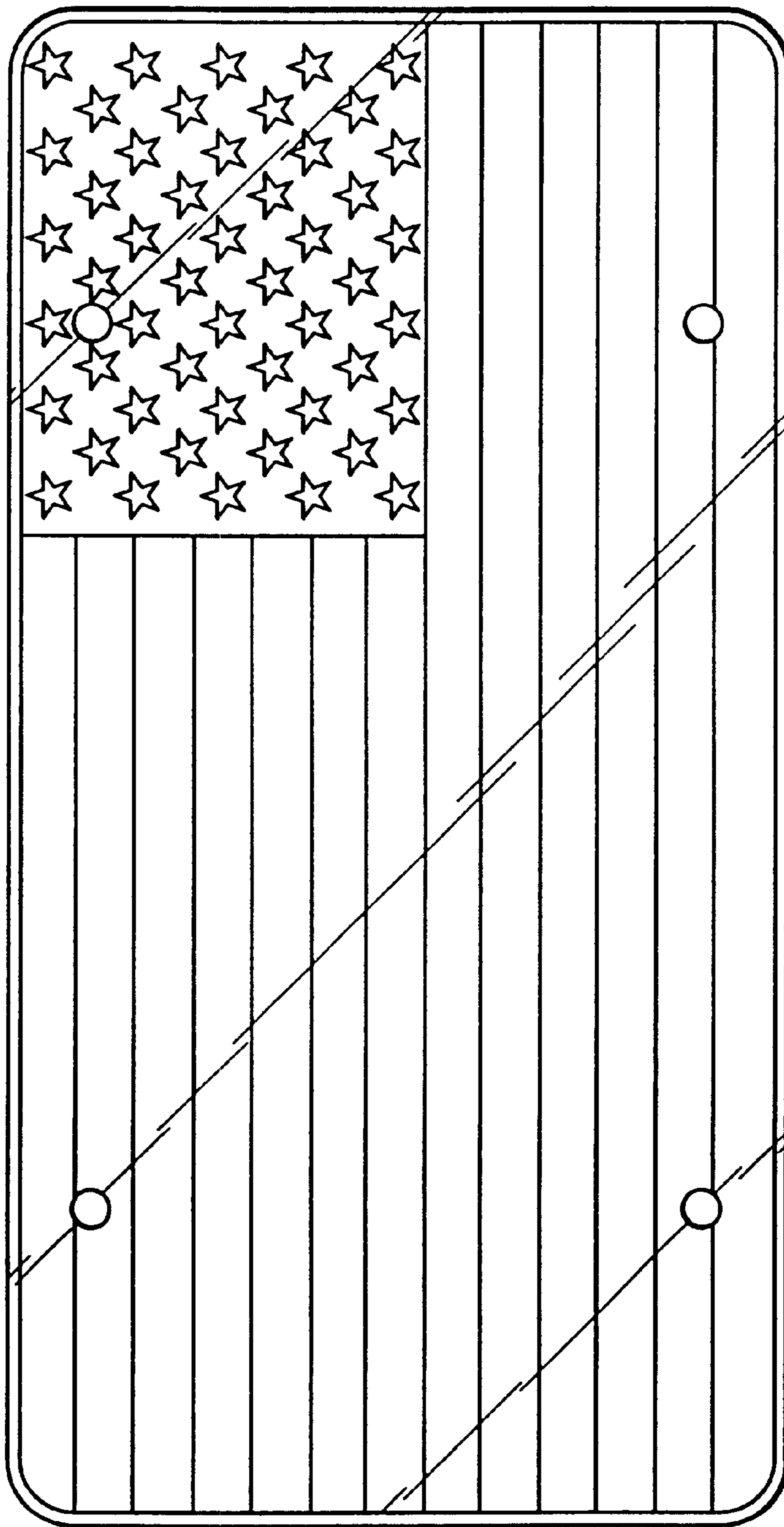


FIG.5



FIG. 7

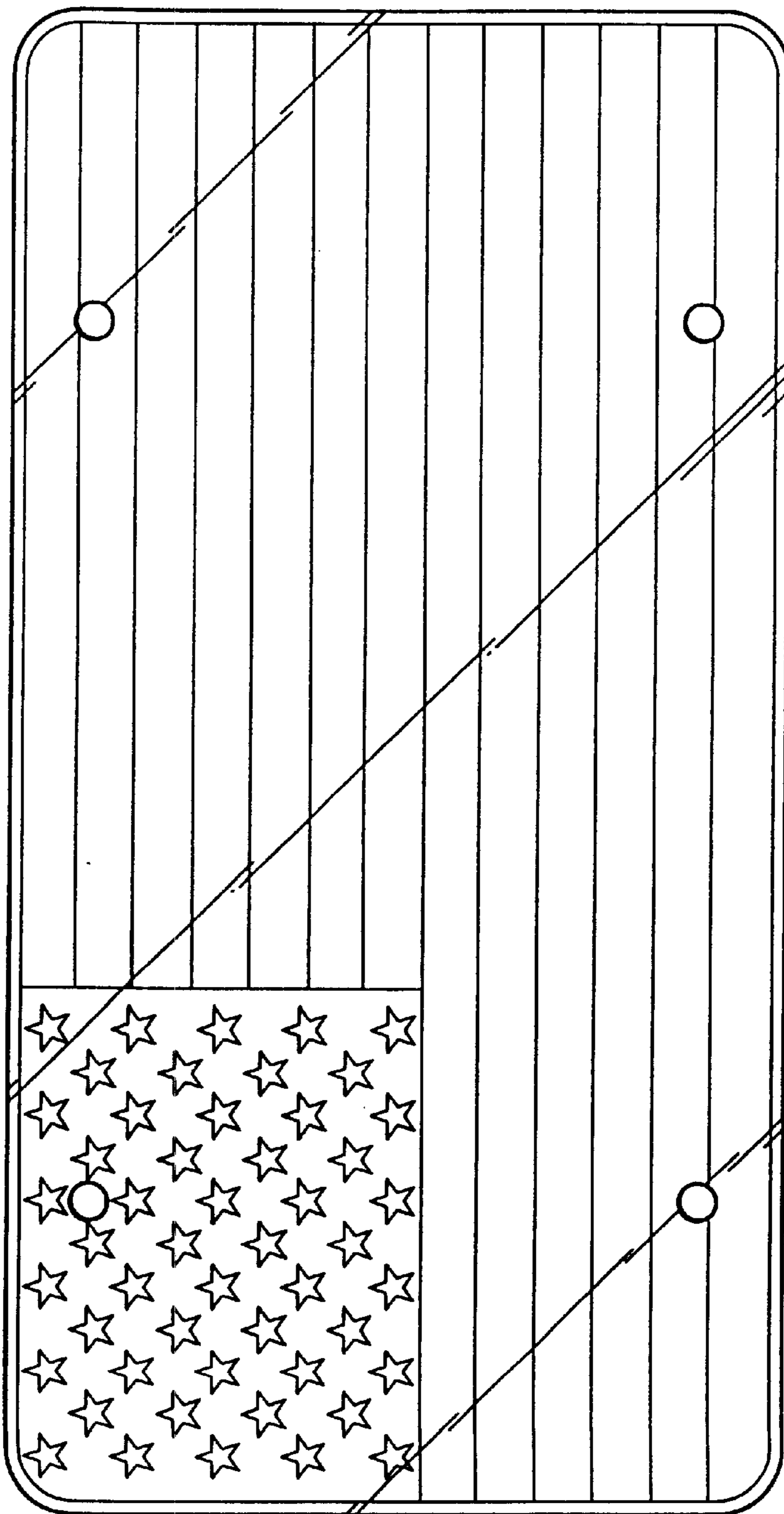


FIG. 6

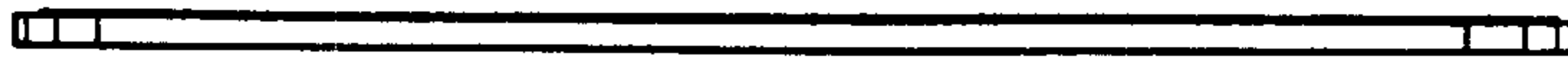


FIG. 8

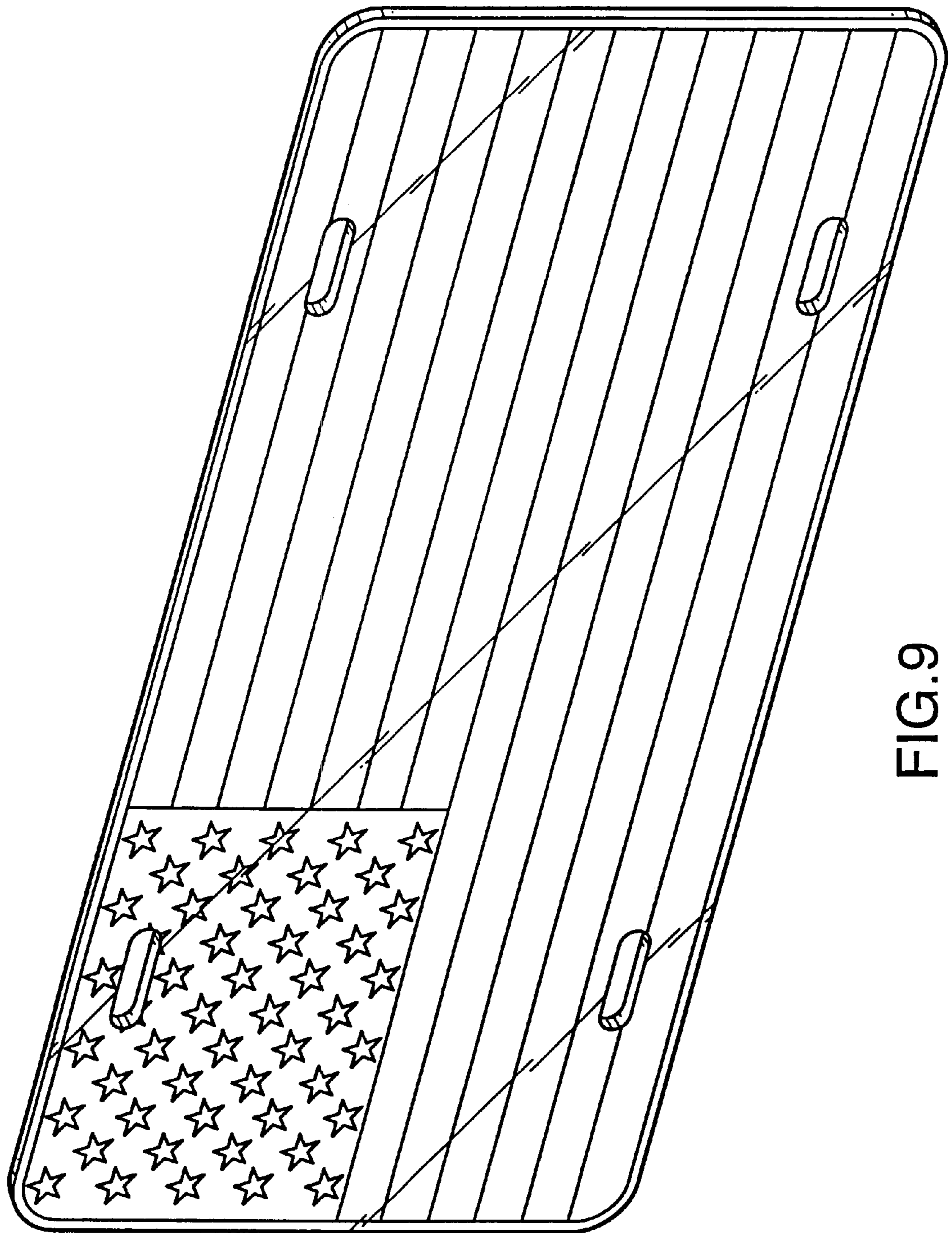


FIG.9