



US00D473502S

(12) **United States Design Patent**  
**Everett**

(10) **Patent No.:** **US D473,502 S**

(45) **Date of Patent:** **\*\* Apr. 22, 2003**

(54) **BRAKE SHOE FOR A BICYCLE**

(57) **CLAIM**

(76) Inventor: **Richard C. Everett**, 225 Sunshine La.,  
West Linn, OR (US) 97068

The ornamental design for a brake shoe for a bicycle, as  
shown and described.

(\*\*) Term: **14 Years**

**DESCRIPTION**

(21) Appl. No.: **29/149,631**

FIG. 1 is a perspective view of a brake shoe for a bicycle  
showing my new design;

(22) Filed: **Oct. 15, 2001**

FIG. 2 is front view of the brake shoe for a bicycle as  
depicted in FIG. 1;

(51) **LOC (7) Cl.** ..... **12-16**

FIG. 3 is a back view of the brake shoe for a bicycle as  
depicted in FIG. 1;

(52) **U.S. Cl.** ..... **D12/180**

(58) **Field of Search** ..... D12/180; 188/73.1,  
188/250 R, 24.11-24.22

FIG. 4 is a left side view of the brake shoe for a bicycle as  
depicted in FIG. 1;

FIG. 5 is a right side view of the brake shoe for a bicycle as  
depicted in FIG. 1;

(56) **References Cited**

**U.S. PATENT DOCUMENTS**

D426,181 S \* 6/2000 Everett ..... D12/180

FIG. 6 is a bottom view of the brake shoe for a bicycle as  
depicted in FIG. 1; and,

FIG. 7 is a top view of the brake shoe for a bicycle as  
depicted in FIG. 1.

\* cited by examiner

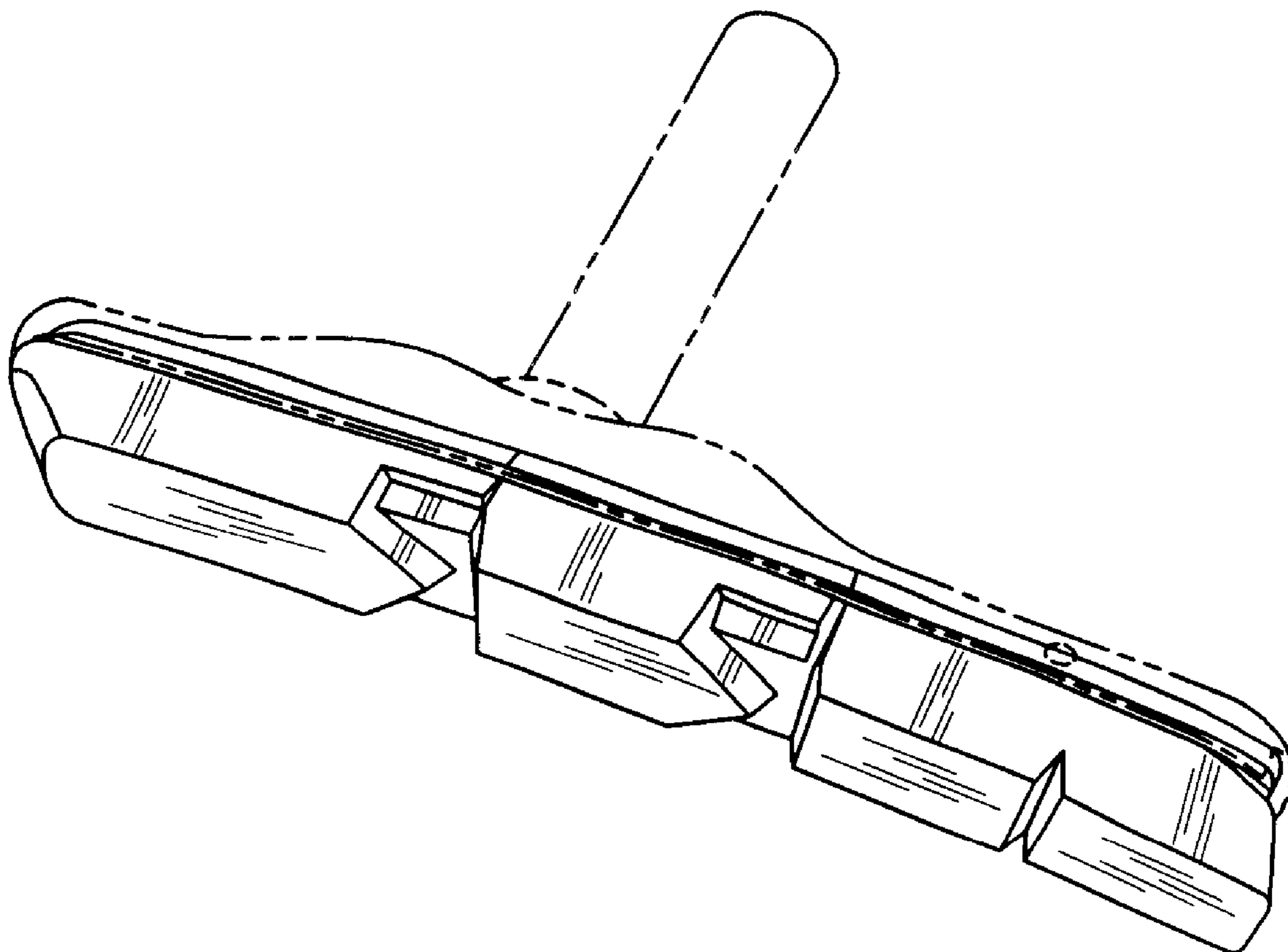
The broken lines shown in FIGS. 1-7 are for illustrative  
purposes only and form no part of the claimed design.

*Primary Examiner*—Alan P. Douglas

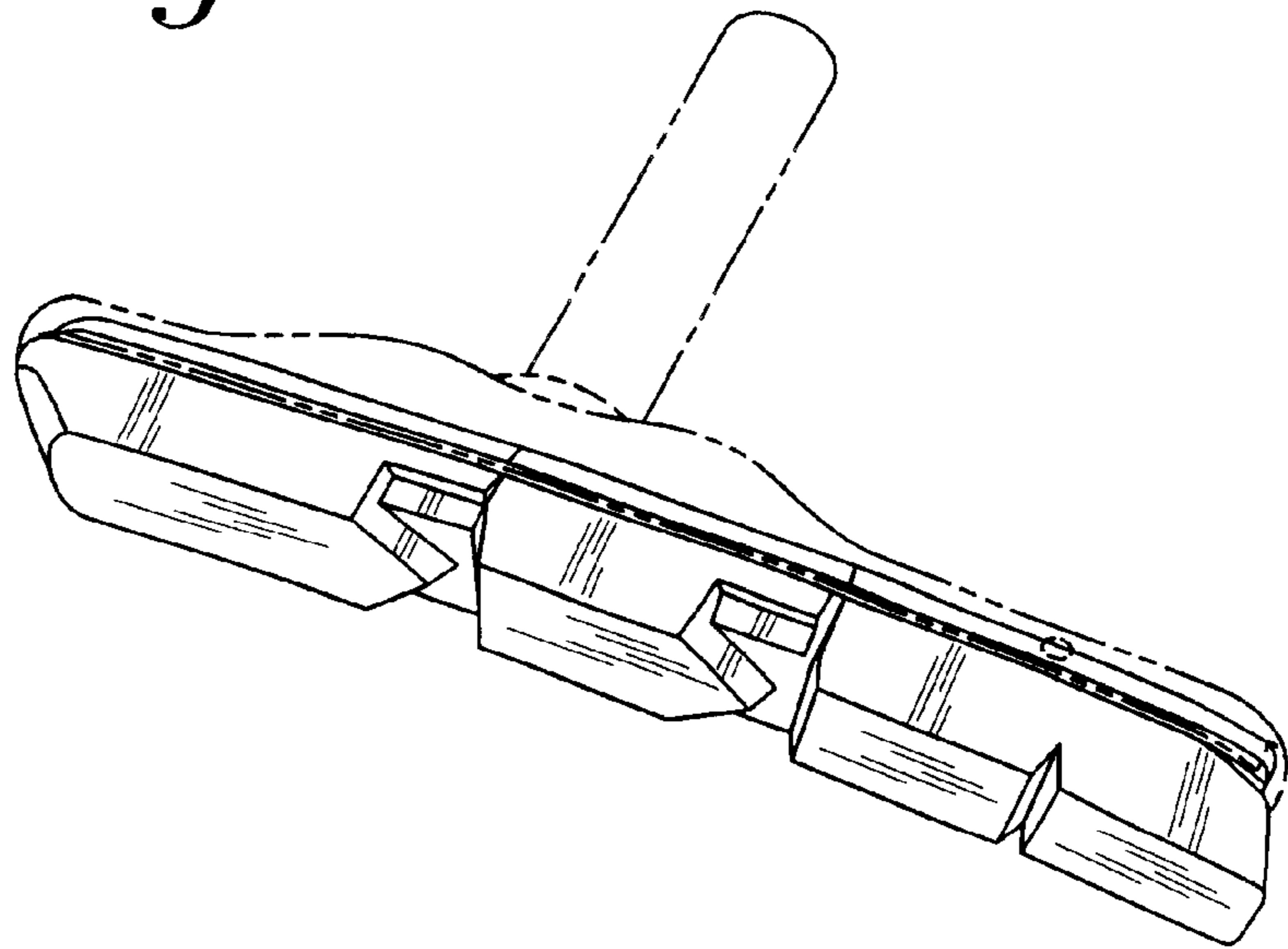
*Assistant Examiner*—Linda Brooks

(74) *Attorney, Agent, or Firm*—Edward E. Roberts

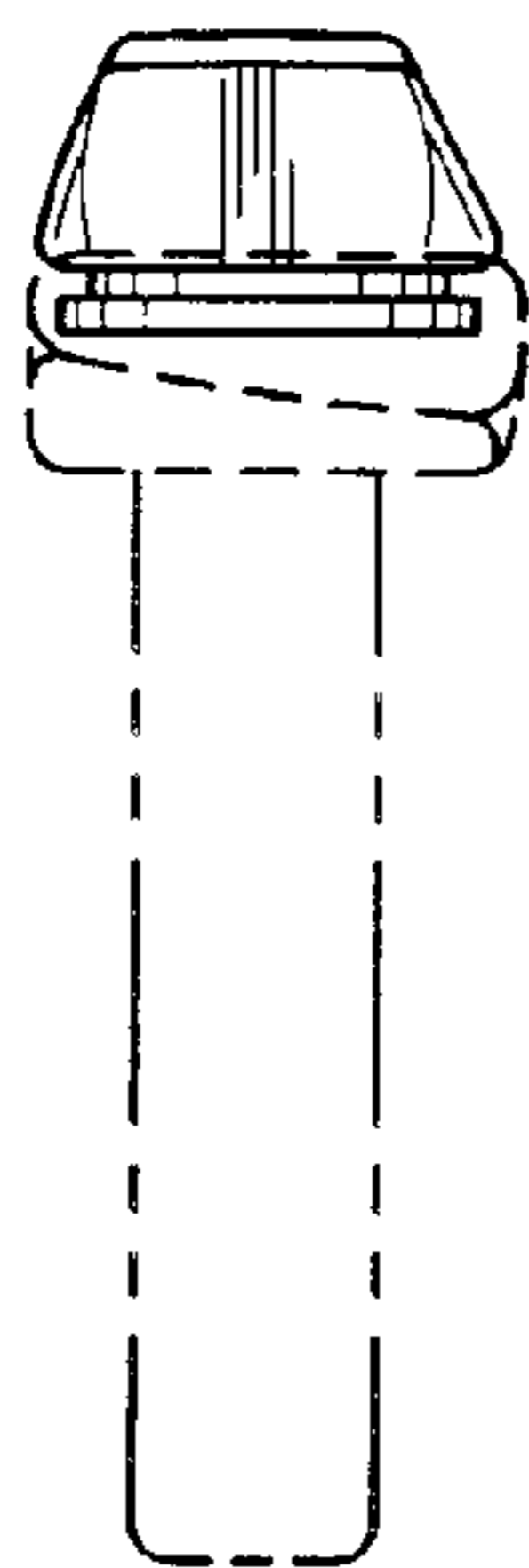
**1 Claim, 3 Drawing Sheets**



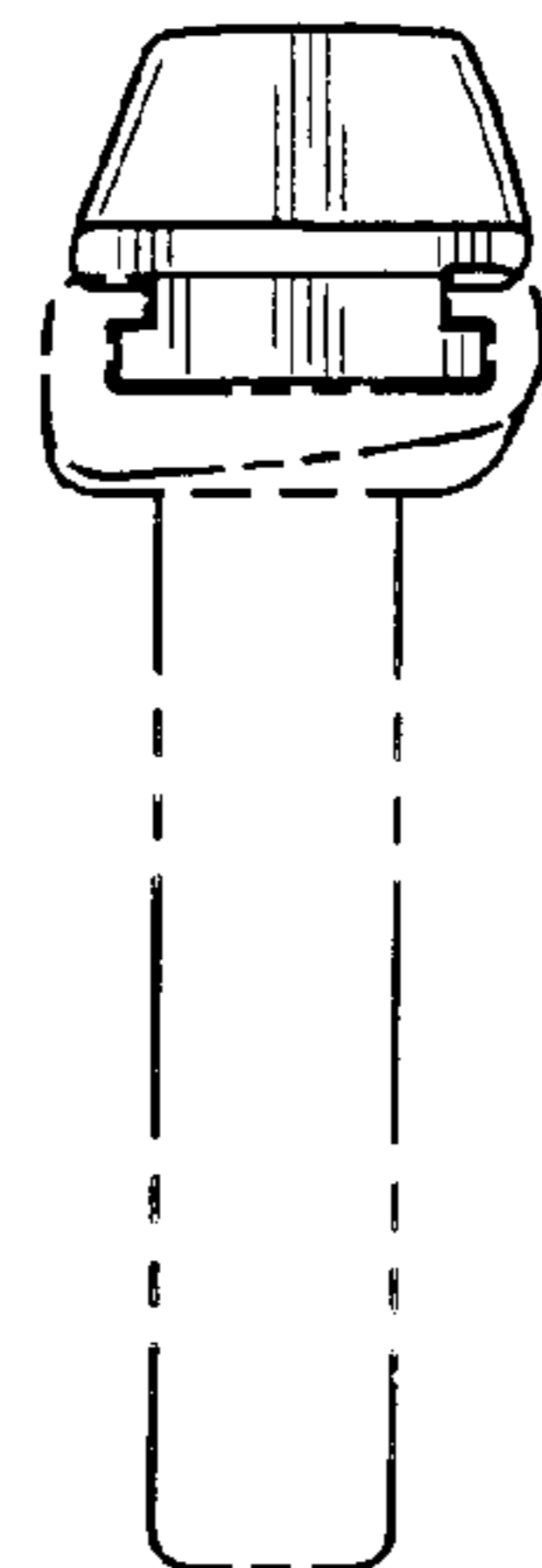
*Fig. 1*



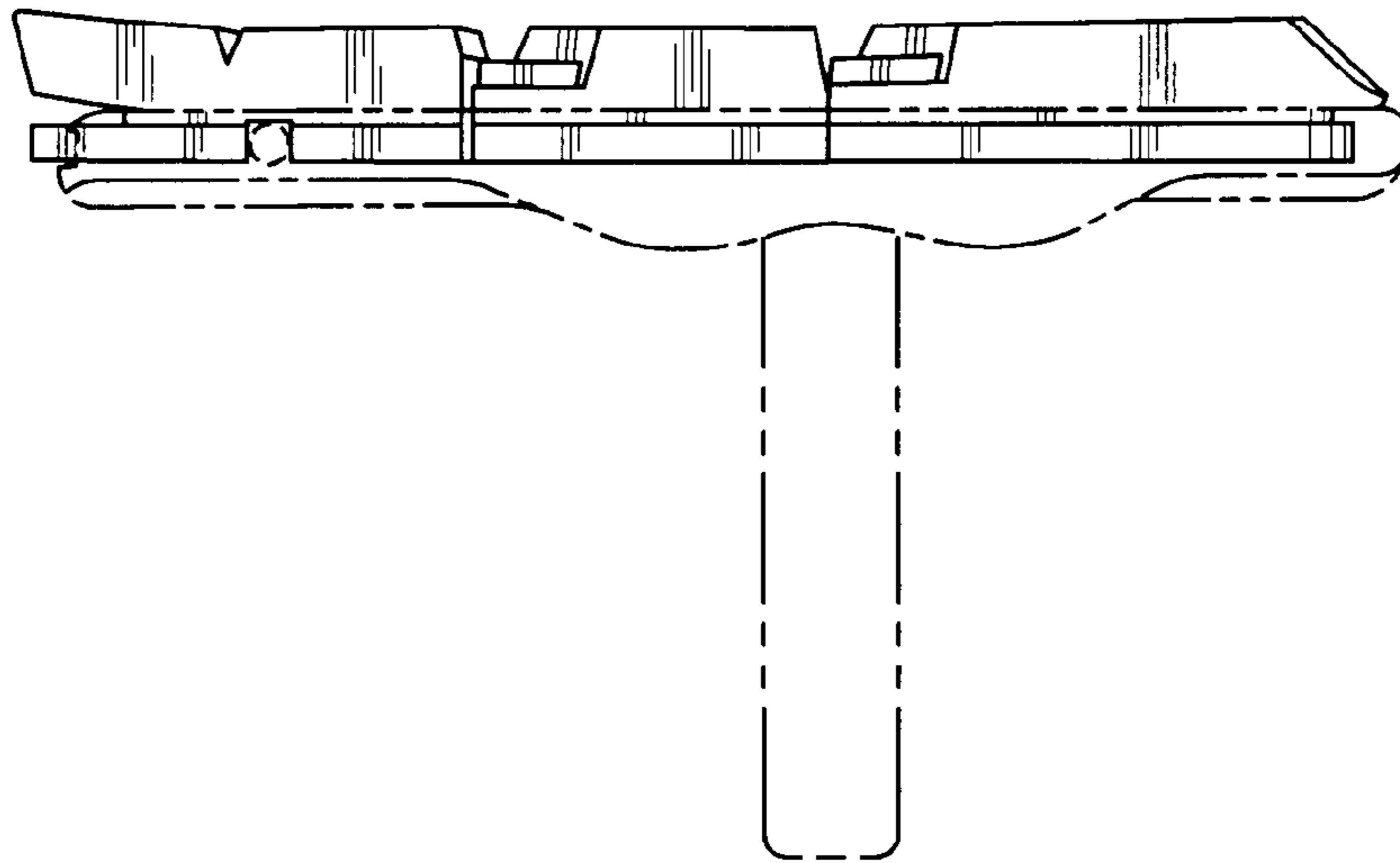
*Fig. 2*



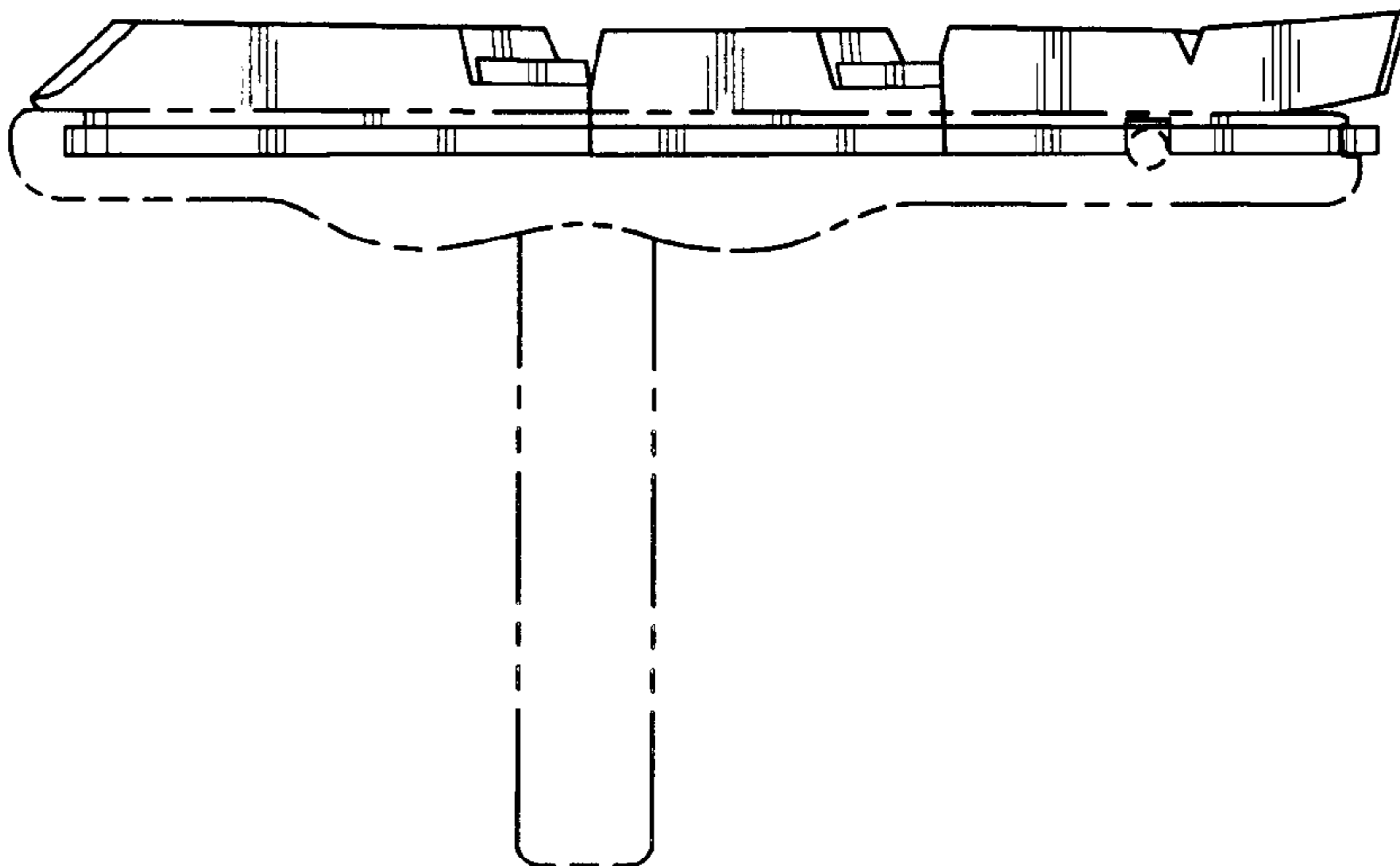
*Fig. 3*



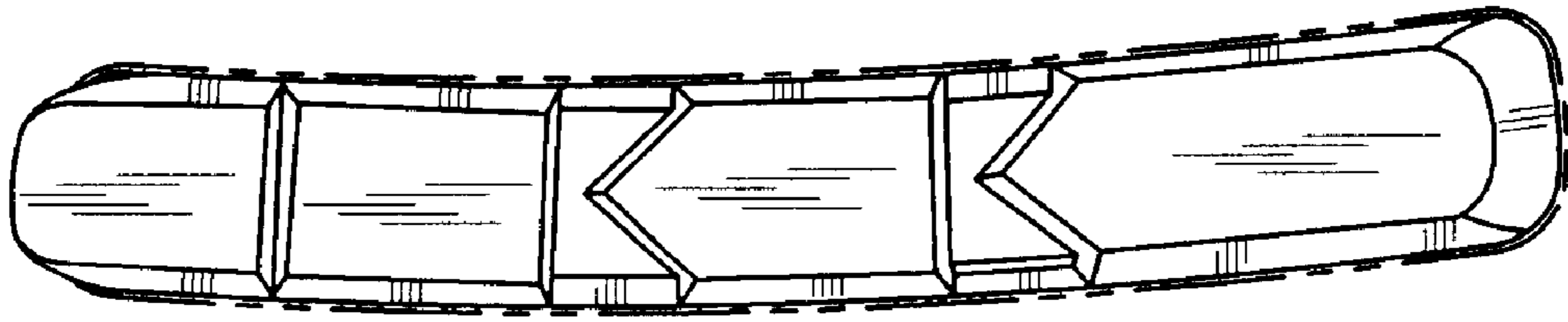
*Fig. 4*



*Fig. 5*



*Fig. 6*



*Fig. 7*

