



US00D473500S

(12) **United States Design Patent**
Okumoto et al.

(10) **Patent No.:** **US D473,500 S**

(45) **Date of Patent:** **** Apr. 22, 2003**

(54) **FRONT BUMPER OF AN AUTOMOBILE**

D452,207 S * 12/2001 Ishii et al. D12/169

D462,640 S * 9/2002 Sakae D12/169

D463,334 S * 9/2002 Koman D12/169

(75) Inventors: **Toshiyuki Okumoto**, Wako (JP);
Keisuke Morioka, Wako (JP);
Hirotsugu Nogami, Wako (JP);
Norihito Haguchi, Wako (JP)

* cited by examiner

(73) Assignee: **Honda Giken Kogyo Kabushiki Kaisha**, Tokyo (JP)

Primary Examiner—Melody N. Brown

(74) *Attorney, Agent, or Firm*—Arent Fox Kintner Plotkin & Kahn, PLLC

(**) Term: **14 Years**

(57) **CLAIM**

(21) Appl. No.: **29/162,962**

The ornamental design for a front bumper of an automobile, as shown and described.

(22) Filed: **Jun. 26, 2002**

DESCRIPTION

(30) **Foreign Application Priority Data**

Dec. 27, 2001 (JP) 2001-038577

FIG. 1 is a front view of a front bumper of an automobile showing our new design.

(51) **LOC (7) Cl.** **12-16**

FIG. 2 is a rear view thereof.

(52) **U.S. Cl.** **D12/169**

FIG. 3 is a top plan view thereof.

(58) **Field of Search** D12/169, 196,
D12/90-92; 296/180.1, 180.2; 293/102,
113, 115, 117, 120

FIG. 4 is a bottom view thereof.

FIG. 5 is a right side view thereof.

FIG. 6 is a left side view thereof; and,

FIG. 7 is a perspective view thereof.

(56) **References Cited**

U.S. PATENT DOCUMENTS

D449,027 S * 10/2001 Nakamuta D12/196

1 Claim, 3 Drawing Sheets

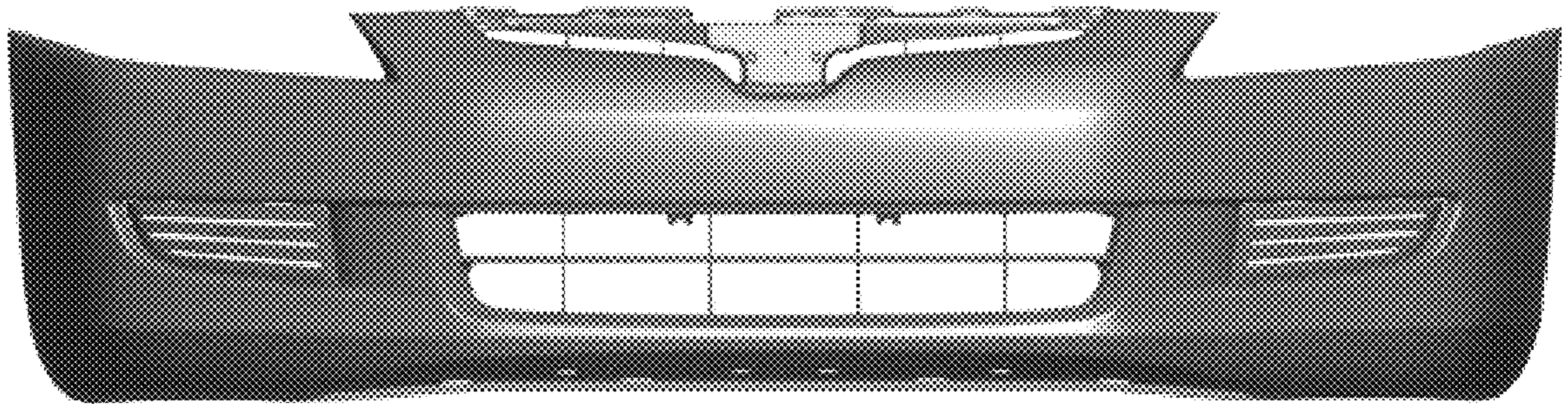


FIG.1

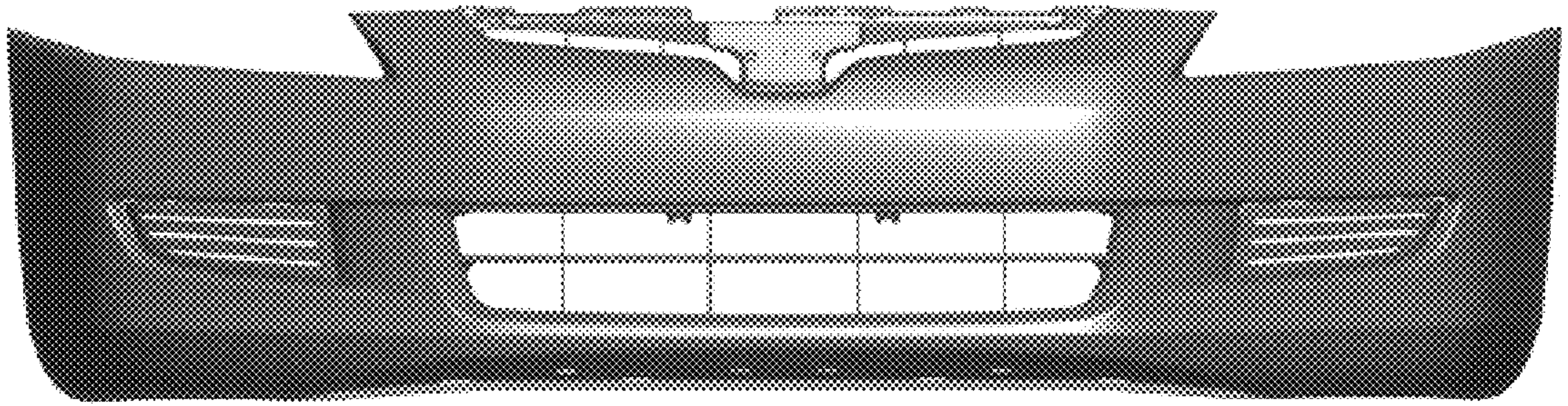


FIG.2

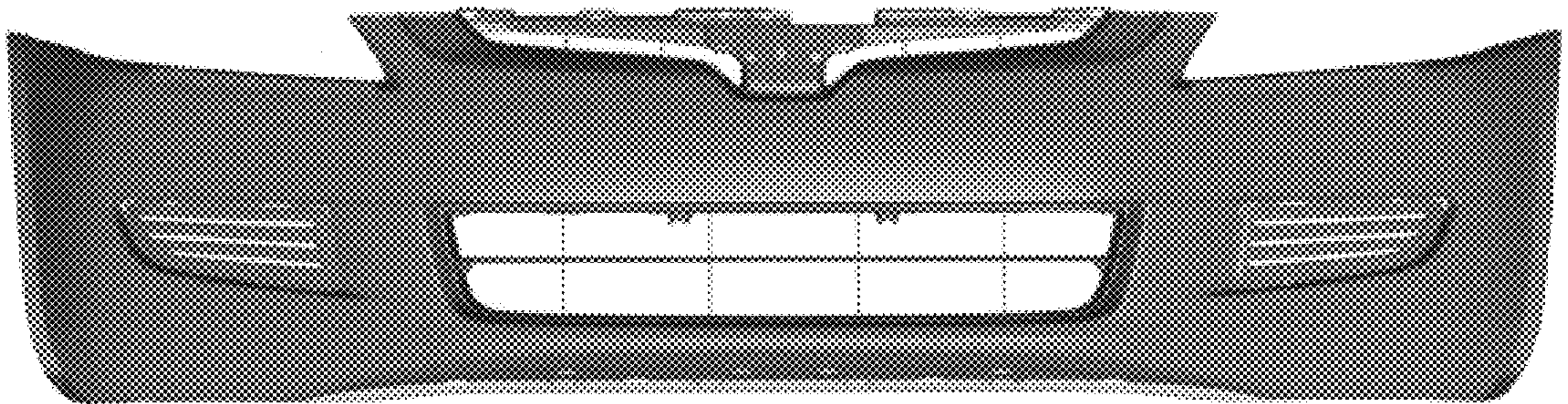


FIG.3

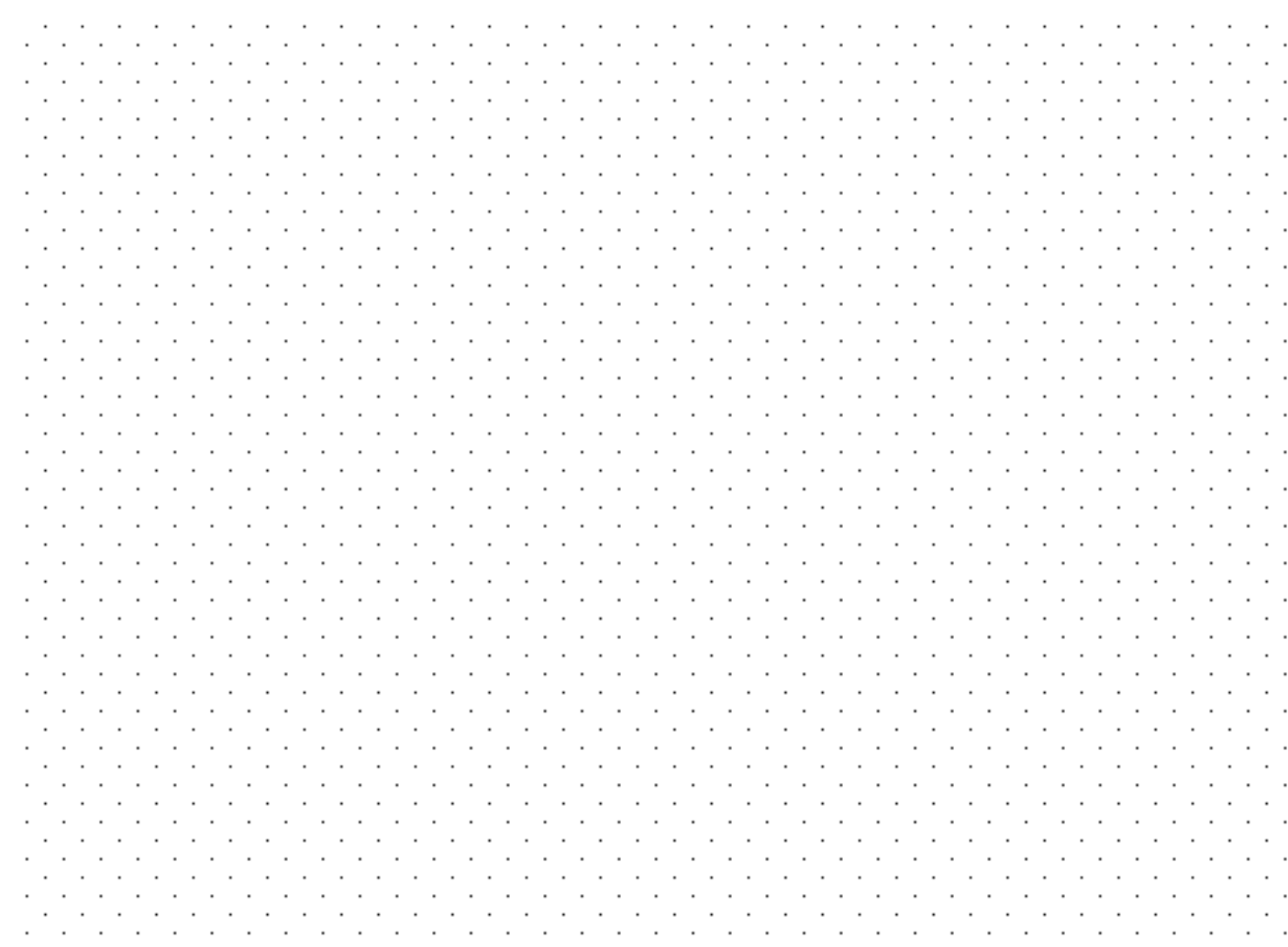
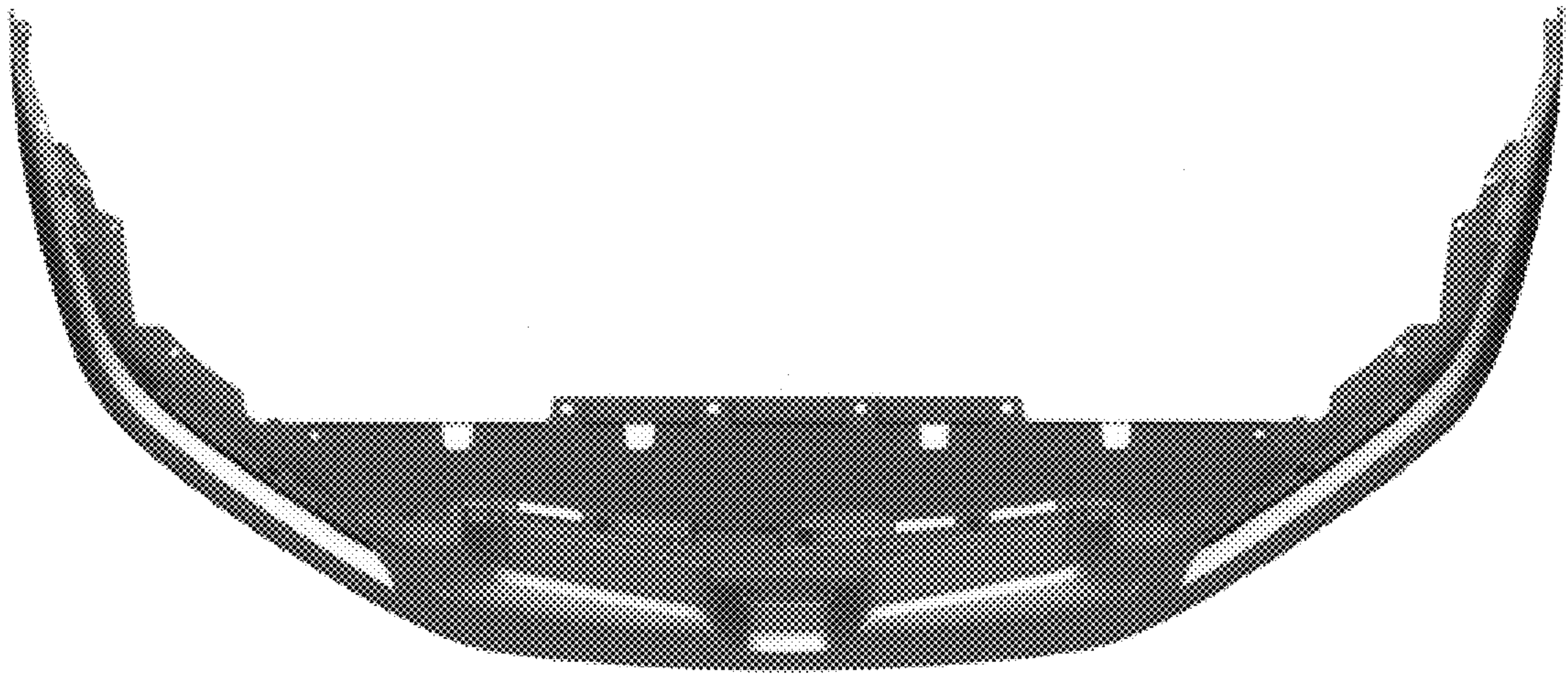


FIG.4

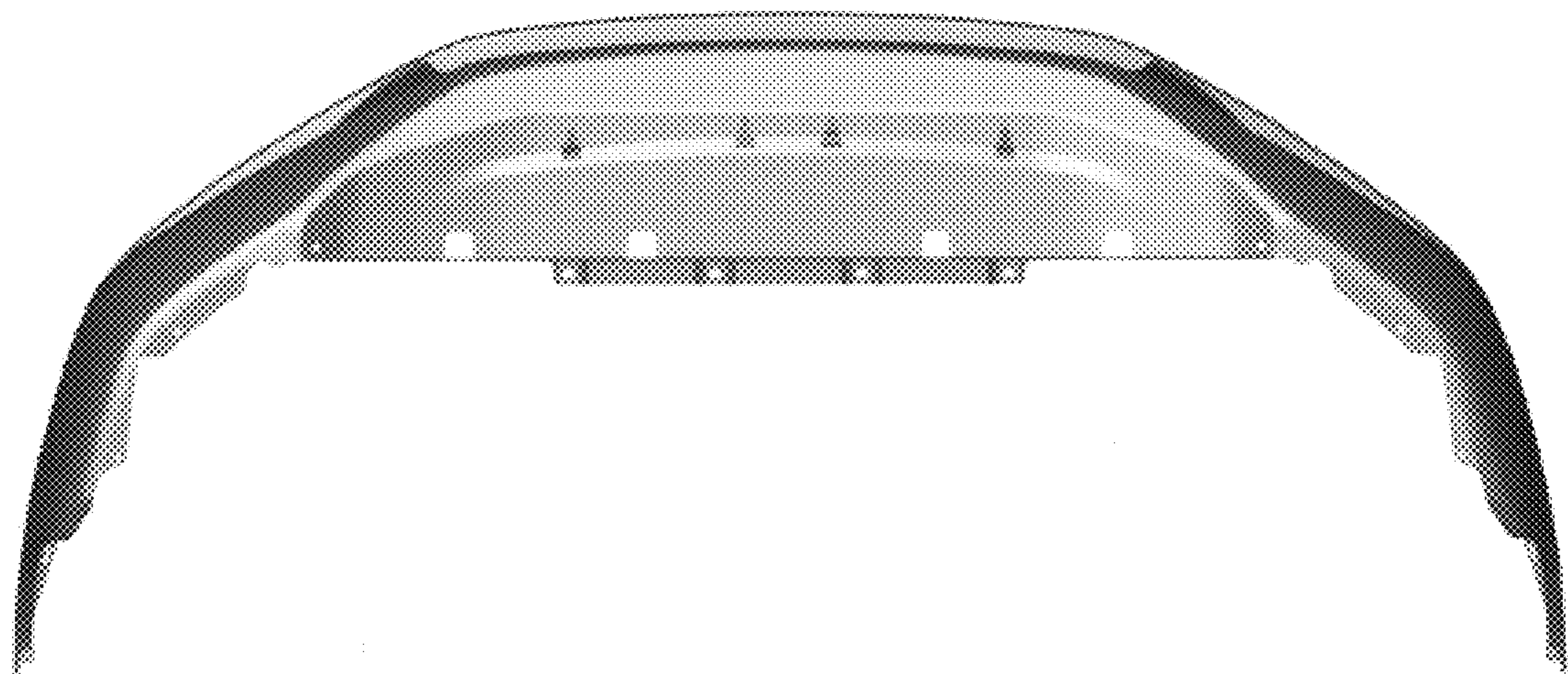


FIG.5

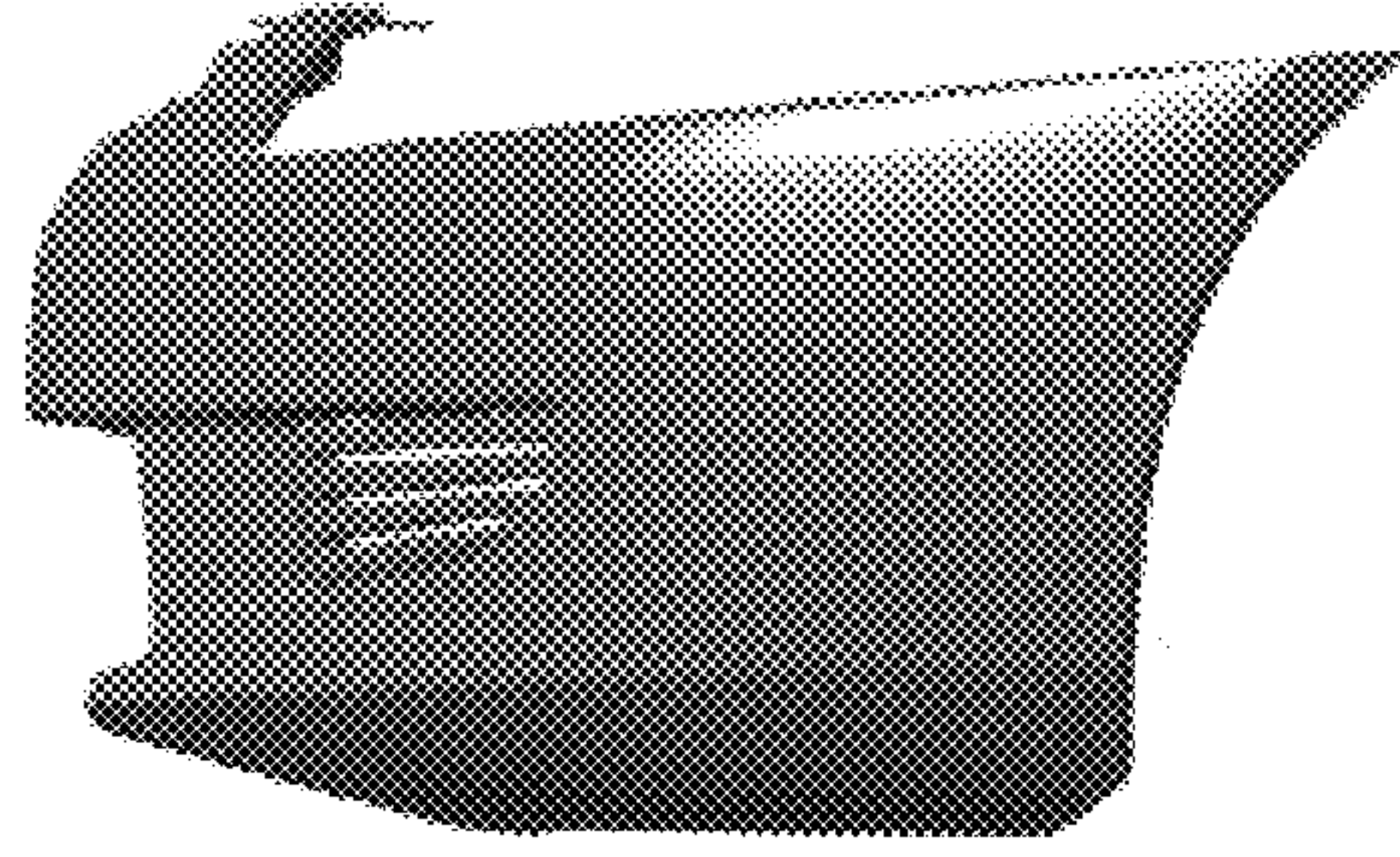


FIG.6

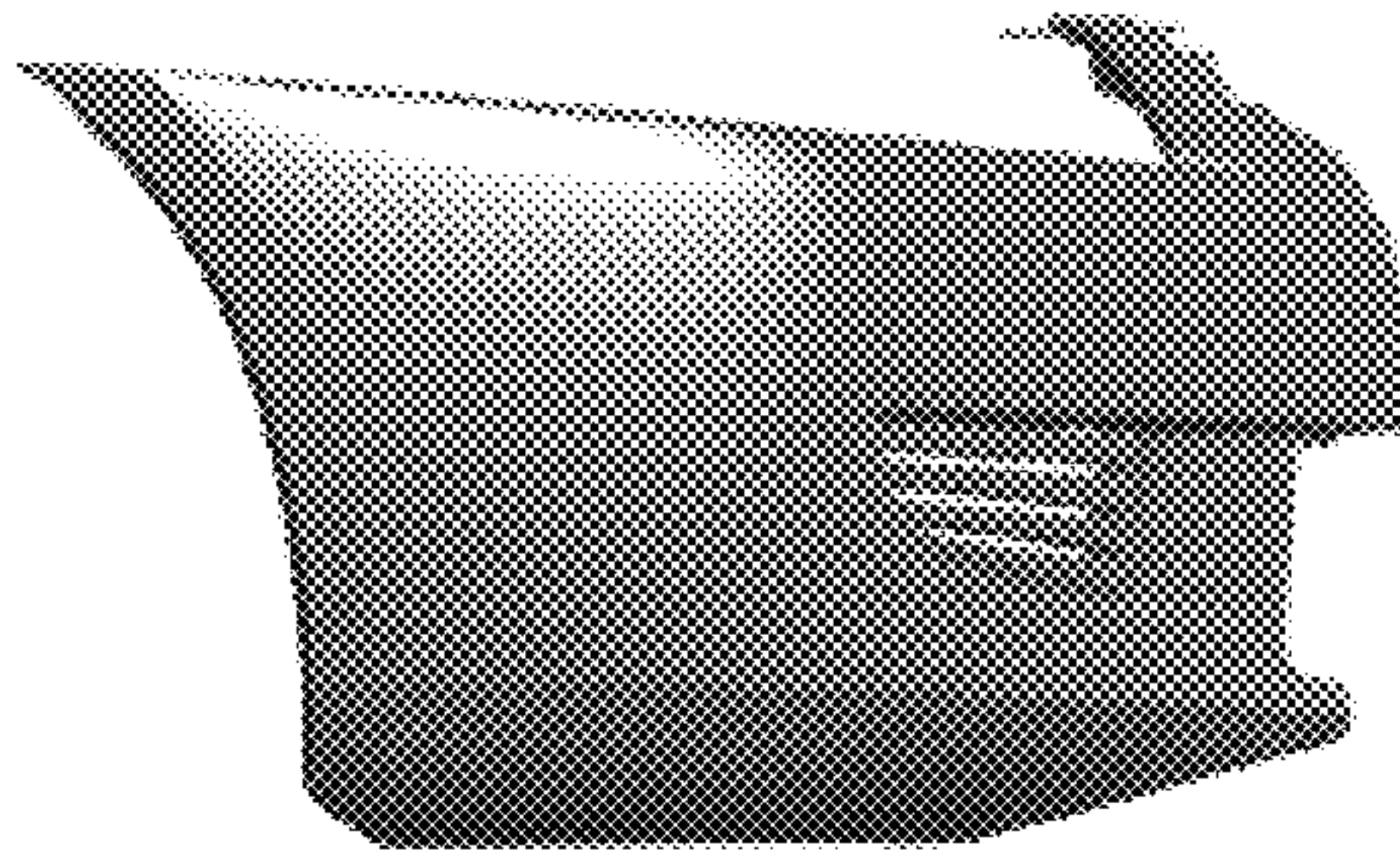


FIG.7

