



US00D473499S

(12) **United States Design Patent**  
**Tanabe et al.**

(10) **Patent No.:** **US D473,499 S**

(45) **Date of Patent:** **\*\* Apr. 22, 2003**

(54) **FRONT BUMPER OF AN AUTOMOBILE**

D452,207 S \* 12/2001 Ishii et al. .... D12/169

D462,640 S \* 9/2002 Sakae ..... D12/169

D463,334 S \* 9/2002 Koman ..... D12/169

(75) Inventors: **Junji Tanabe**, Wako (JP); **Hiroaki Nakamura**, Wako (JP); **Aoi Shoji**, Wako (JP); **Nobuyuki Takahashi**, Wako (JP)

\* cited by examiner

(73) Assignee: **Honda Giken Kogyo Kabushiki Kaisha**, Tokyo (JP)

*Primary Examiner*—Melody N. Brown

(74) *Attorney, Agent, or Firm*—Arent Fox Kintner Plotkin & Kahn, PLLC

(\*\*) Term: **14 Years**

(57) **CLAIM**

(21) Appl. No.: **29/162,960**

The ornamental design for a front bumper of an automobile, as shown and described.

(22) Filed: **Jun. 26, 2002**

**DESCRIPTION**

(30) **Foreign Application Priority Data**

Dec. 27, 2001 (JP) ..... 2001-038541

FIG. 1 is a front view of a front bumper of an automobile showing our new design.

(51) **LOC (7) Cl.** ..... **12-16**

FIG. 2 is a rear view thereof.

(52) **U.S. Cl.** ..... **D12/169**

FIG. 3 is a top plan view thereof.

(58) **Field of Search** ..... D12/169, 196;  
296/180.1, 180.2; 293/102, 113, 115, 117,  
120

FIG. 4 is a bottom view thereof.

FIG. 5 is a right side view thereof.

FIG. 6 is a left side view thereof; and,

FIG. 7 is a perspective view thereof.

(56) **References Cited**

**U.S. PATENT DOCUMENTS**

D449,027 S \* 10/2001 Nakamuta ..... D12/196

**1 Claim, 3 Drawing Sheets**

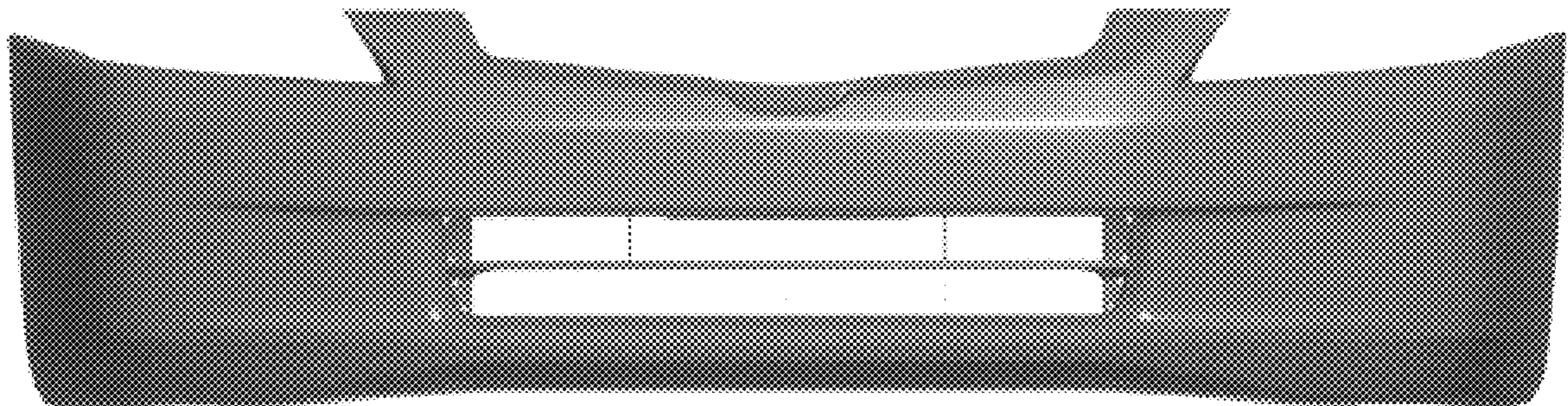


FIG.1

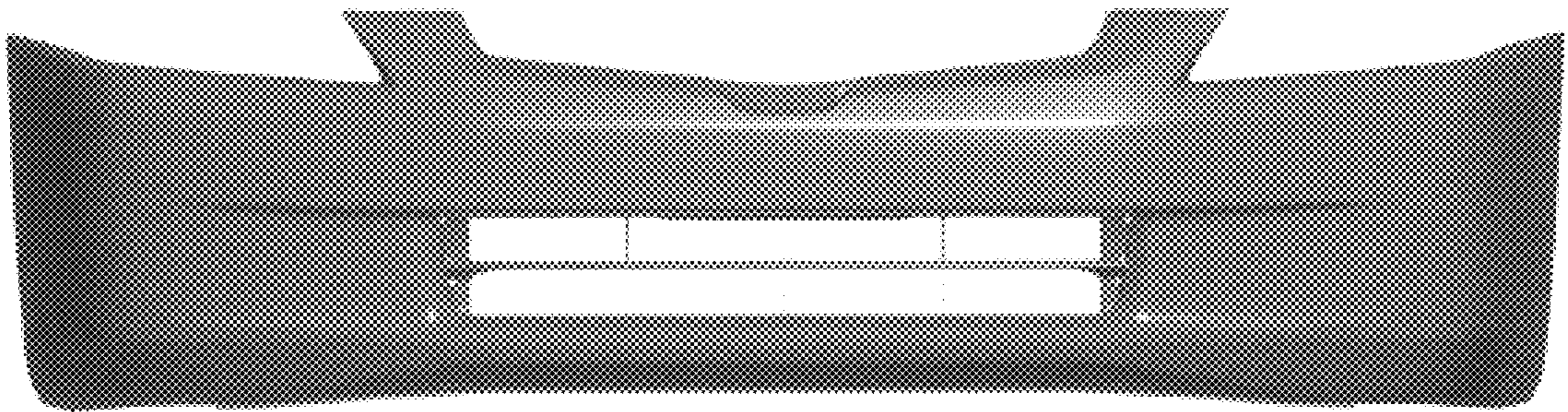


FIG.2

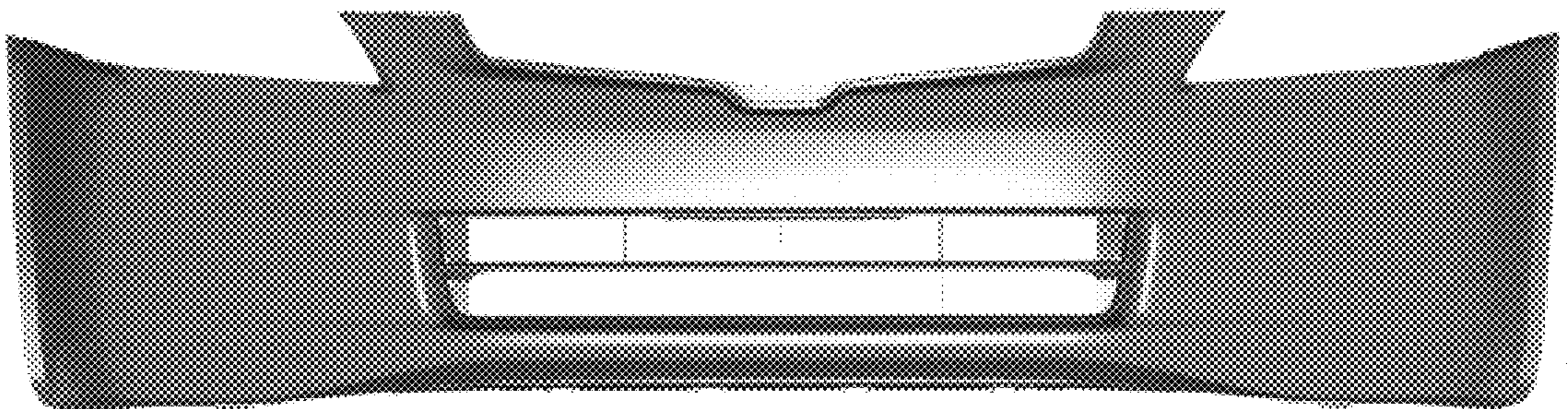


FIG.3

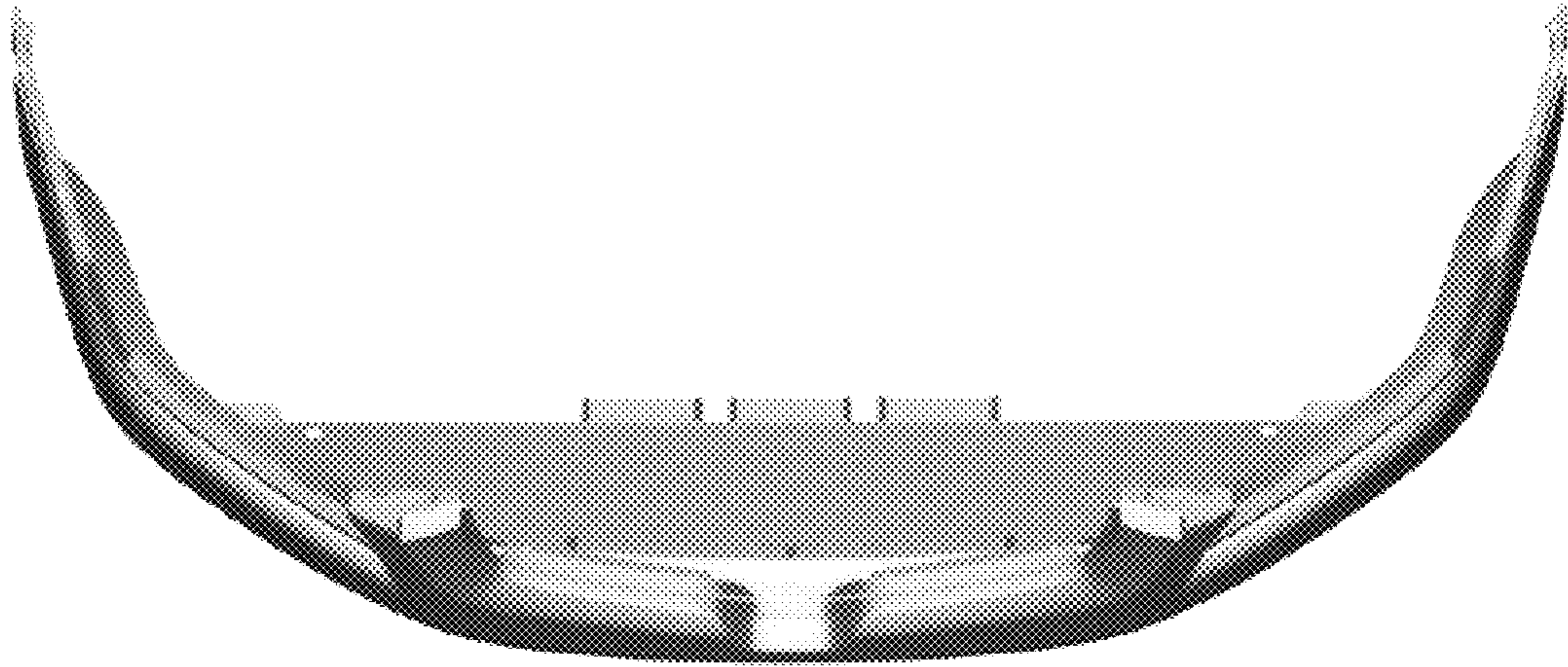


FIG.4

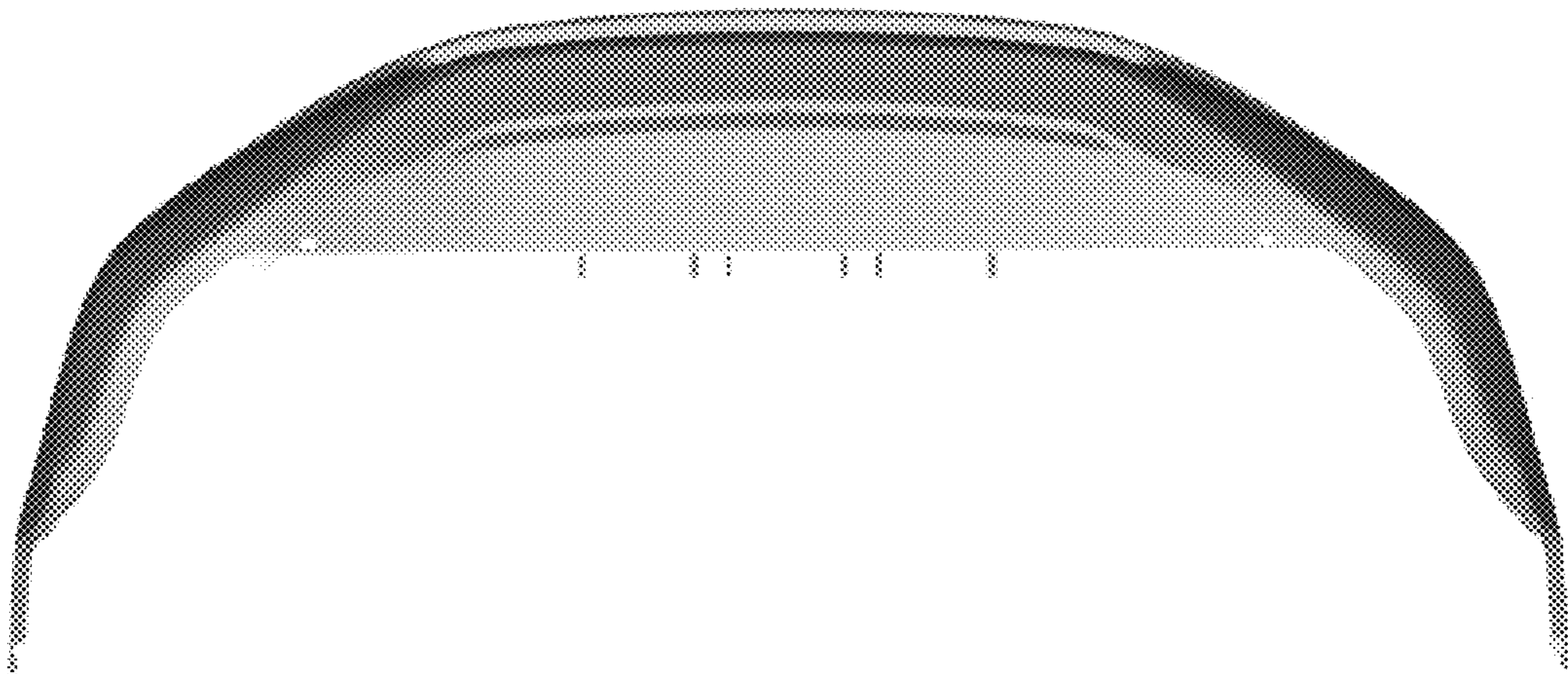


FIG.5

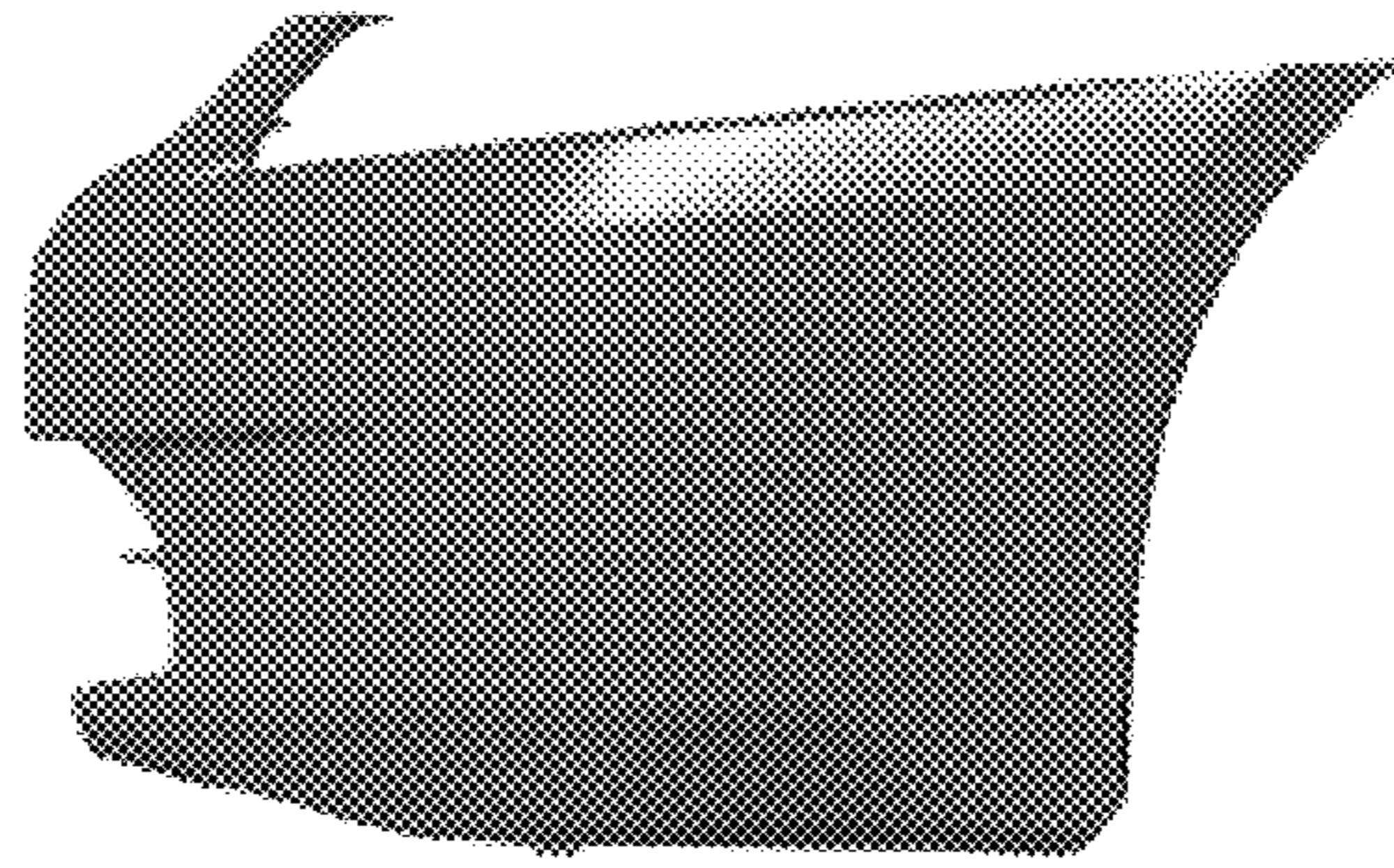


FIG.6

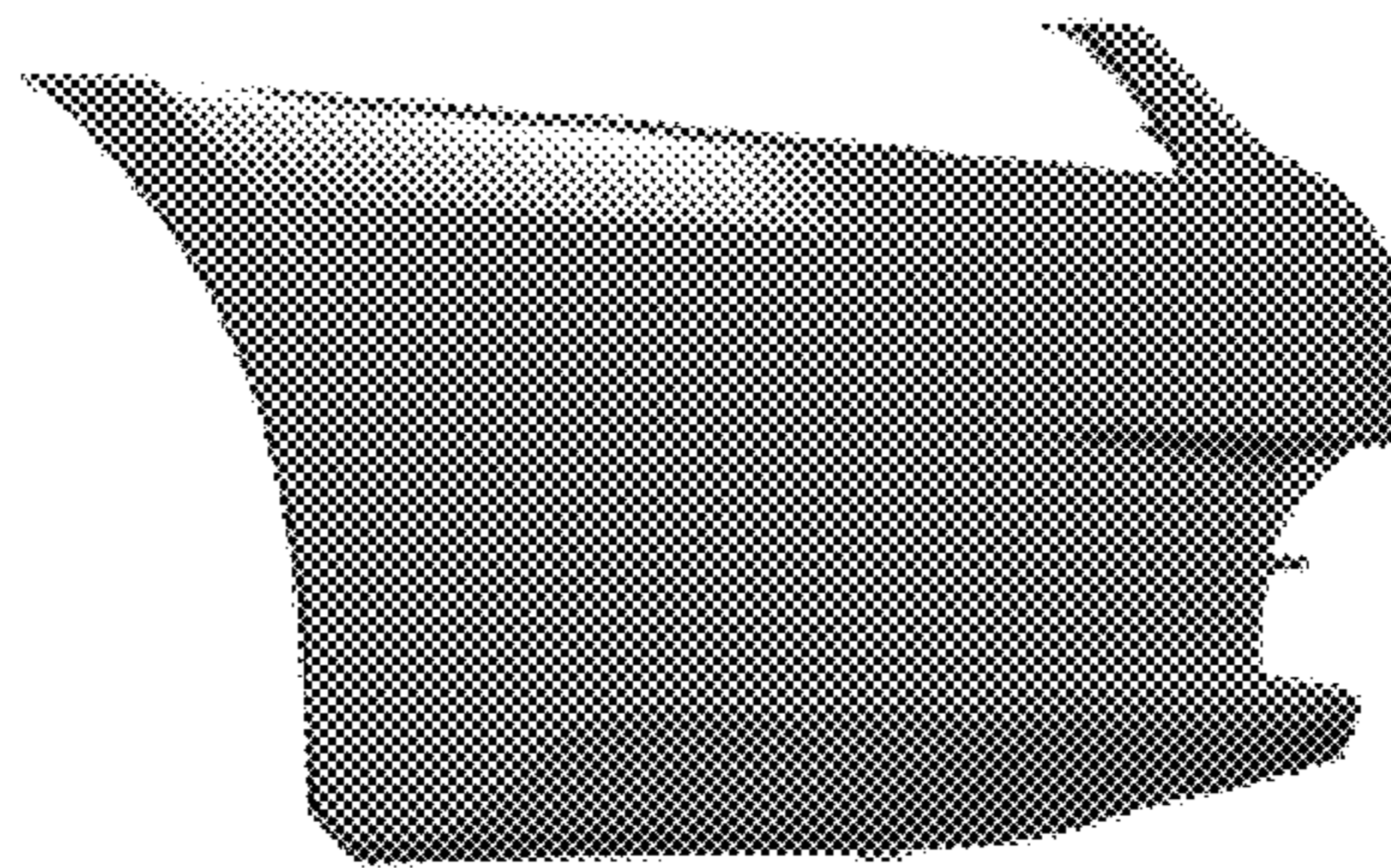


FIG.7

