



US00D473495S

(12) **United States Design Patent**
Niitsu et al.

(10) **Patent No.:** **US D473,495 S**

(45) **Date of Patent:** **** Apr. 22, 2003**

(54) **ELECTRIC POWER ASSIST CYCLE**

(75) Inventors: **Takuya Niitsu**, Tokyo (JP); **Shinpei Hirano**, Tokyo (JP); **Atsushi Mamiya**, Kanagawa (JP); **Satoru Takahashi**, Kanagawa (JP)

(73) Assignee: **Sony Corporation**, Tokyo (JP)

(**) Term: **14 Years**

(21) Appl. No.: **29/144,527**

(22) Filed: **Jul. 6, 2001**

(51) **LOC (7) Cl.** **12-11**

(52) **U.S. Cl.** **D12/111**

(58) **Field of Search** **D12/110, 111;**
280/274-280, 281.1, 267, 282-288, 288.1-288.3,
220, 230, 236, 252; 180/219, 220, 205

(56) **References Cited**

U.S. PATENT DOCUMENTS

- 3,280,932 A * 10/1966 Moulton 180/205
- D406,253 S * 3/1999 Yamashita et al. D12/110
- D414,721 S * 10/1999 Nakamura D12/111

OTHER PUBLICATIONS

“Sports Style Book/Folding Bike 2000”, pp. 22, 23, 36, 37, 44, 45, 62-71, Shogakukan Inc., (Jul. 2002).
Web page, “New Vivo”, <http://www.tk.xaxon.ne.jp/endout/vivo.html>, 1 sheet, (Jun. 2000).

Web page, “Traincle 6500/7500”, <http://www.tk.xaxon.ne.jp/endout/trenkul.html>, 1 sheet, (Jun. 2000).

Web page, “Access Gear”, <http://www.tk.xaxon.ne.jp/endout/akusesu.html>, 1 sheet, (Jun. 2000).

Web page, “Folding Bicycles Korner”, <http://www.fm-cycle.co.jp/folding.html>, 64 sheets, (Feb. 2002).

* cited by examiner

Primary Examiner—Alan P. Douglas

Assistant Examiner—Linda Brooks

(74) *Attorney, Agent, or Firm*—Rader, Fishman & Grauer PLLC

(57) **CLAIM**

The ornamental design for an electric power assist cycle, as shown and described.

DESCRIPTION

FIG. 1 is a perspective view of an electric power assist cycle showing our new design;

FIG. 2 is a front elevational view thereof;

FIG. 3 is a rear elevational view thereof;

FIG. 4 is a right side elevational view thereof;

FIG. 5 is a left side elevational view thereof;

FIG. 6 is a top plan view thereof; and,

FIG. 7 is a bottom plan view thereof.

1 Claim, 6 Drawing Sheets

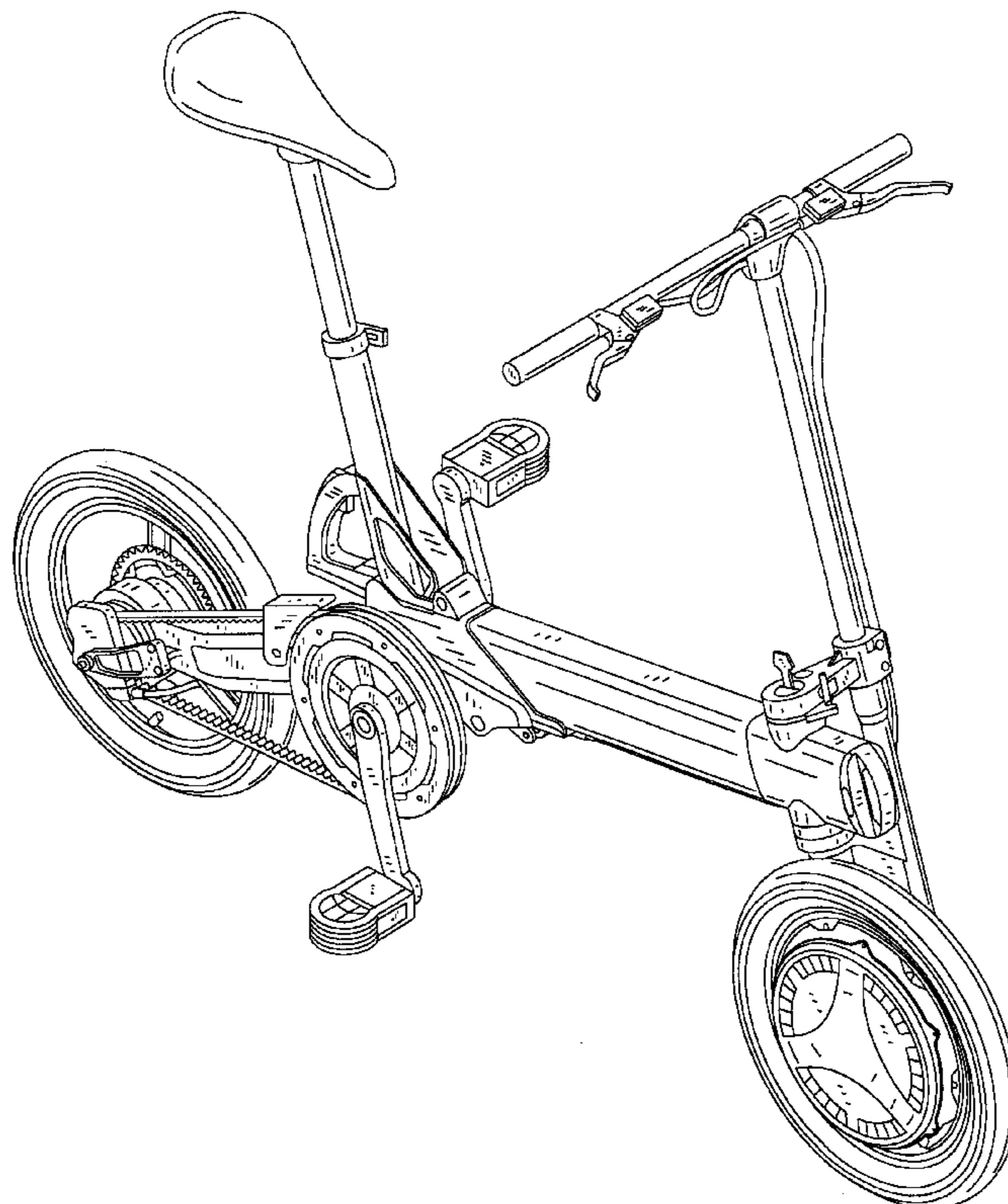


FIG. 1

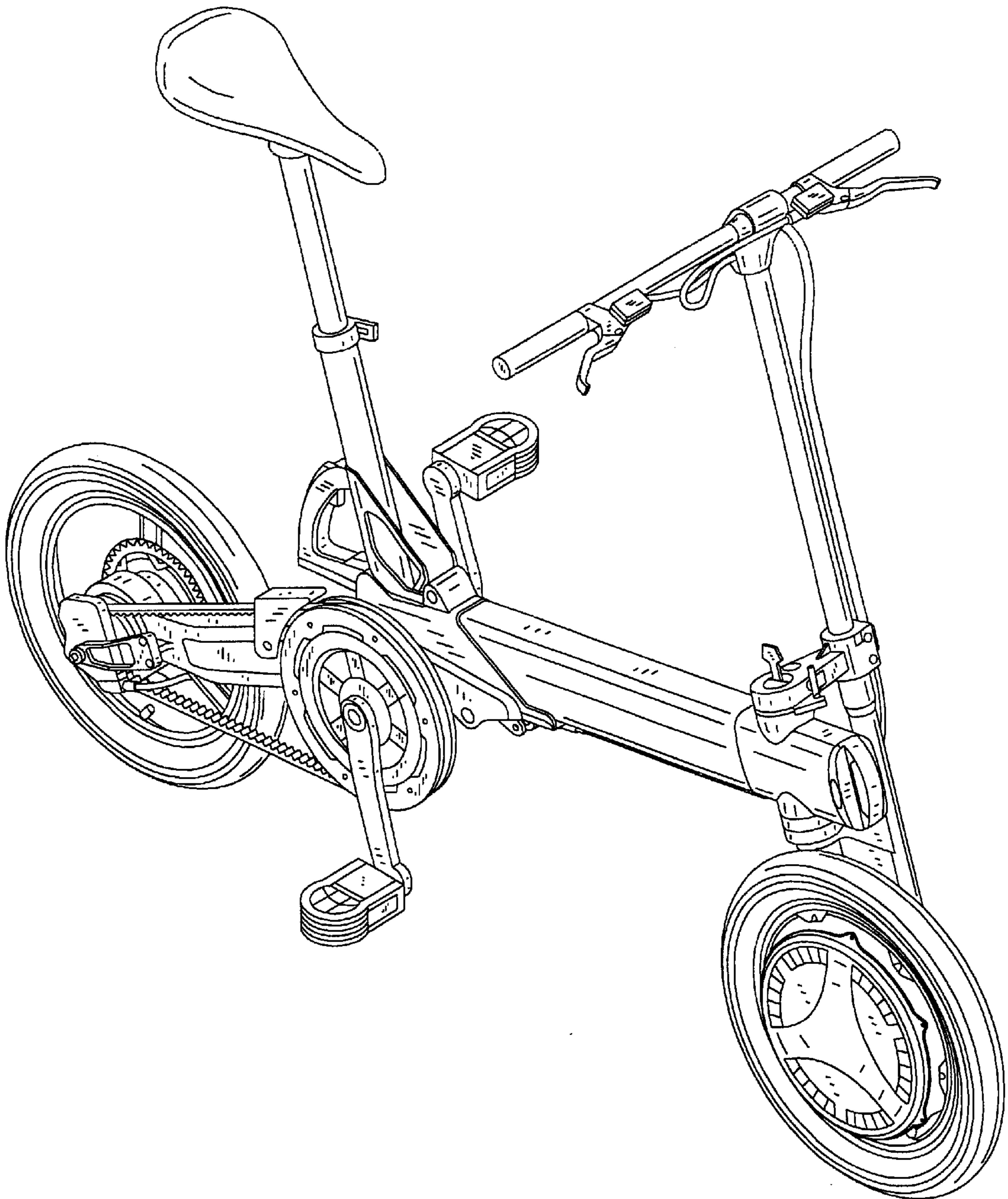


FIG. 3

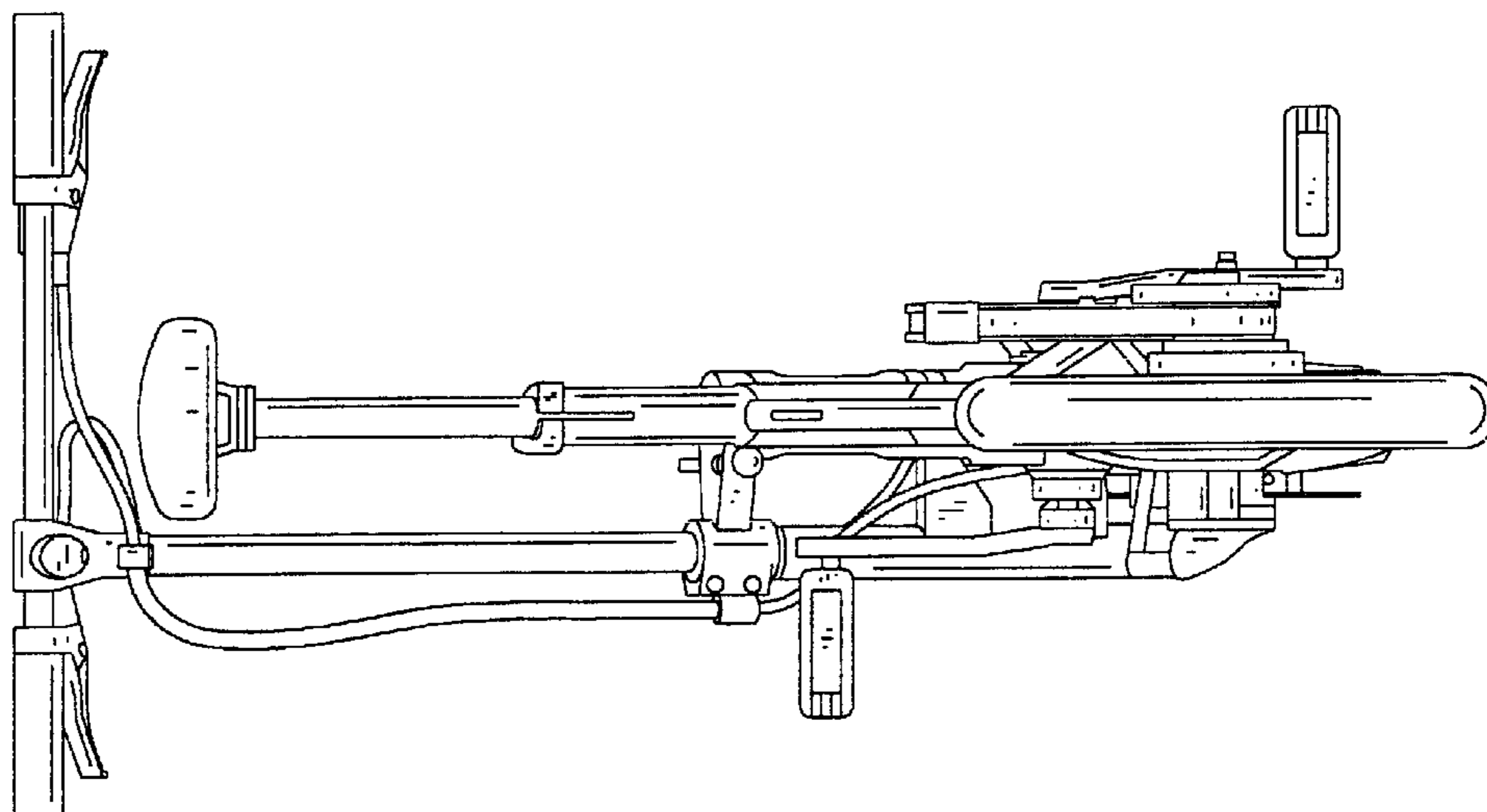


FIG. 2

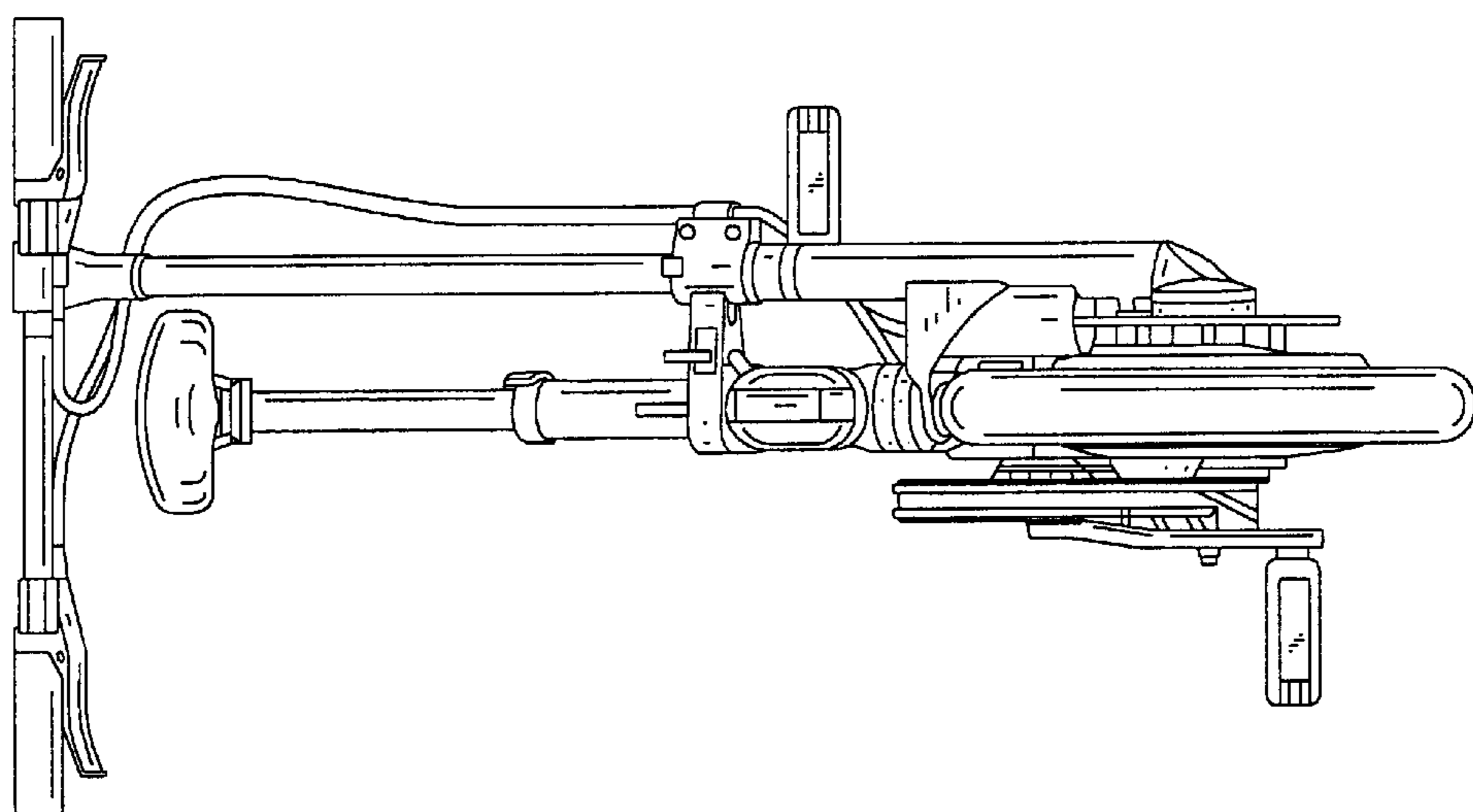


FIG. 4

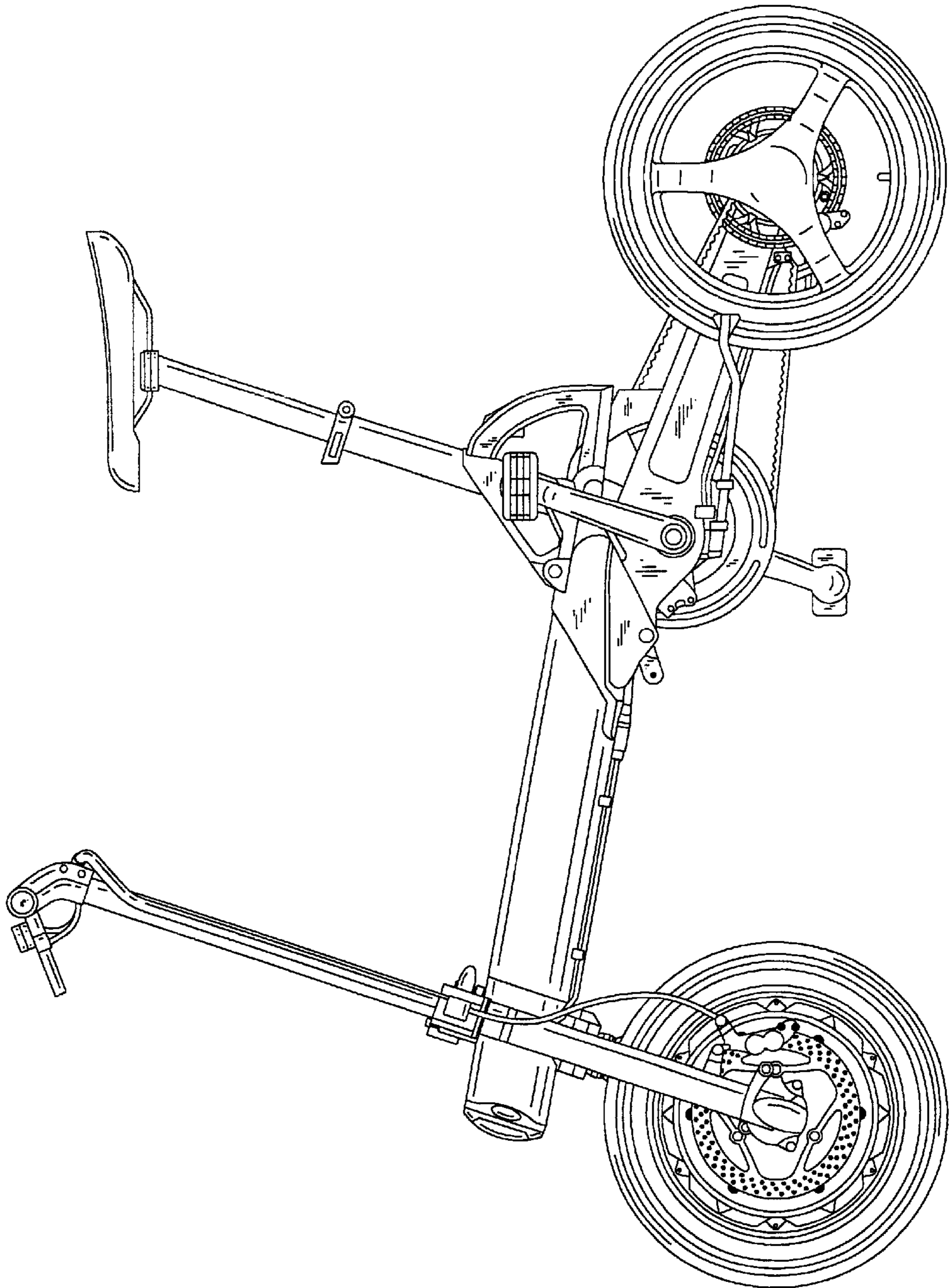


FIG. 5

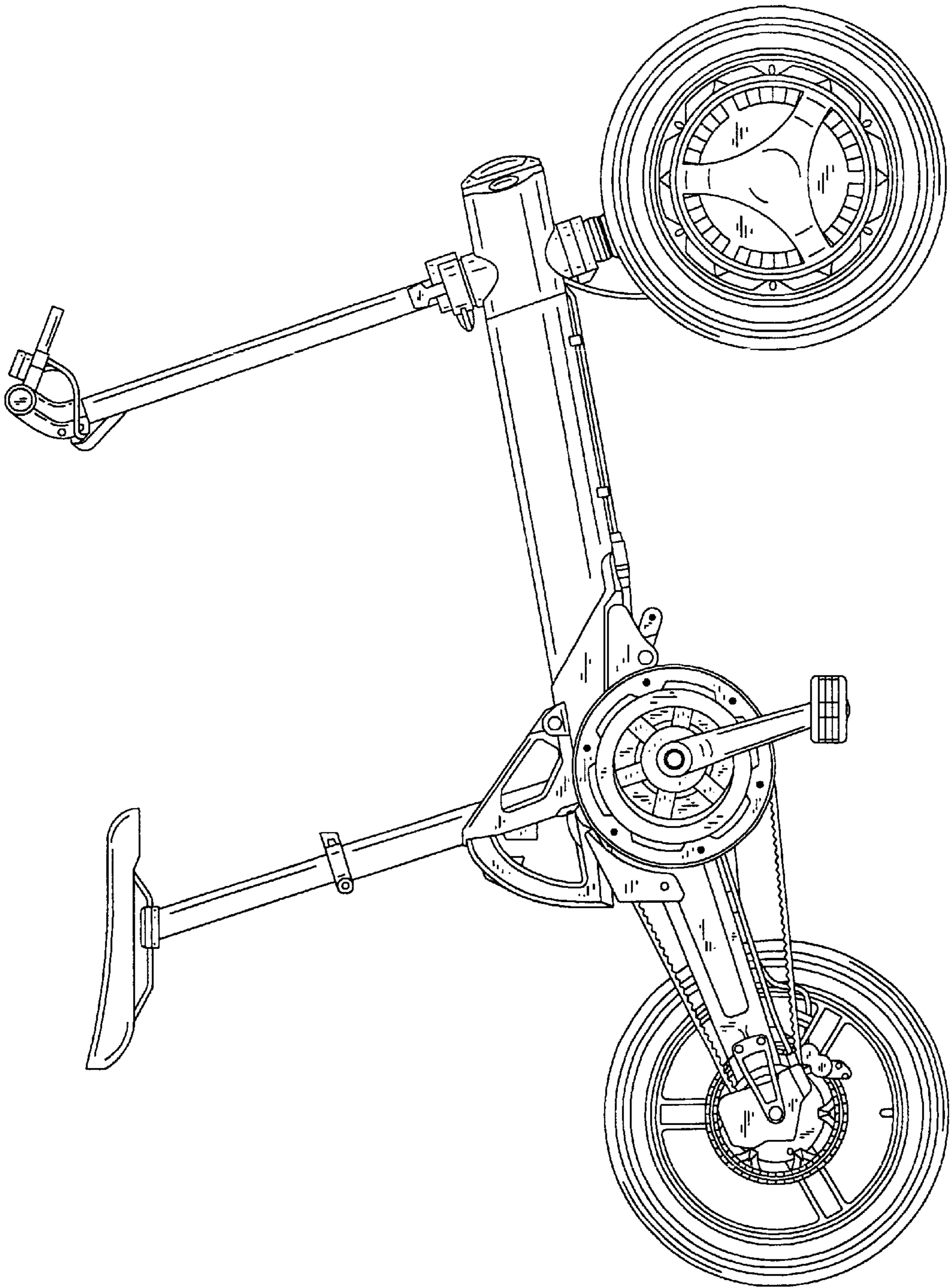


FIG. 6

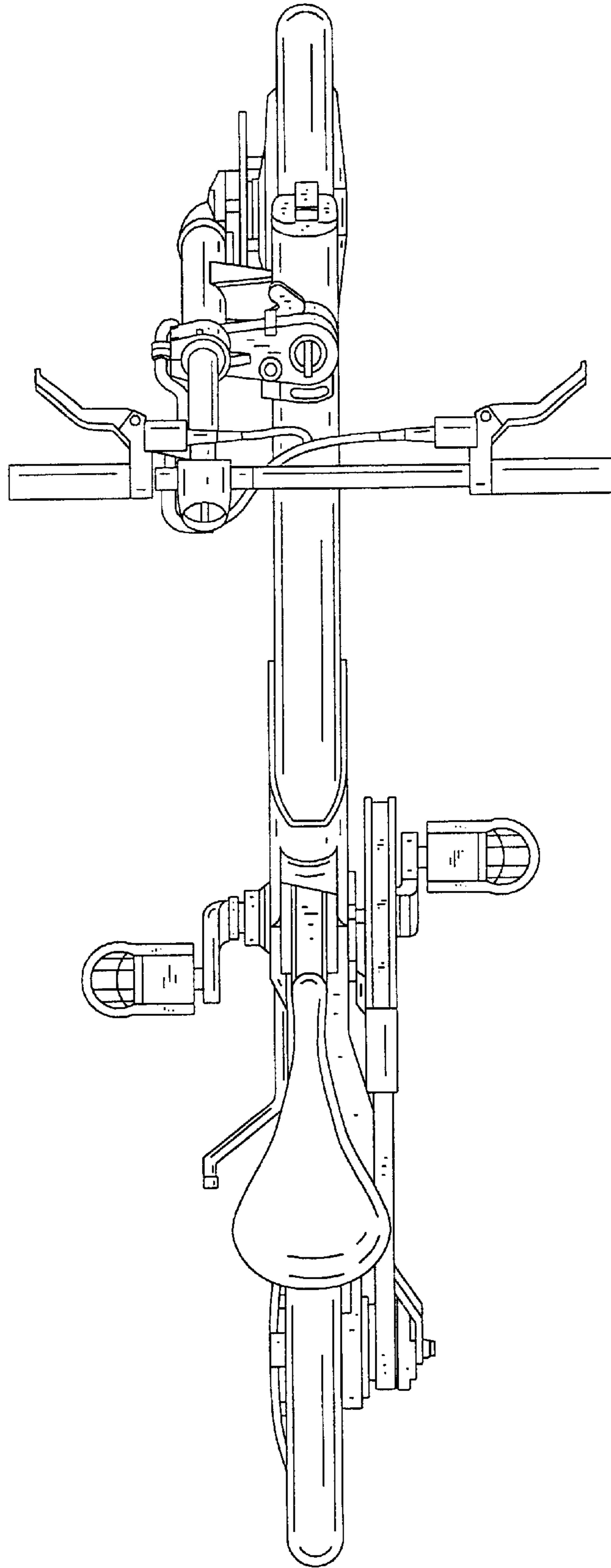


FIG. 7

