



US00D473490S

(12) **United States Design Patent** (10) **Patent No.:** **US D473,490 S**
Mallette et al. (45) **Date of Patent:** **** Apr. 22, 2003**

(54) **SNOWMOBILE SKI MOUNT**
(75) Inventors: **Bertrand Mallette**, Rock Forest (CA);
Mario Cote, Bedford (CA); **Guillaume Longpre**, Farnham (CA)
(73) Assignee: **Bombardier Inc.**, Valcourt (CA)
(**) Term: **14 Years**

CA 1007274 3/1977
CA 46647 3/1980
CA 50740 1/1983
CA 1287658 8/1991
CA 2095872 11/1994
CA 2109241 2/1995
CA 2244520 1/2000

(21) Appl. No.: **29/166,008**
(22) Filed: **Aug. 22, 2002**

Related U.S. Application Data

(62) Division of application No. 29/137,155, filed on Feb. 15, 2001.
(51) **LOC (7) Cl.** **12-14**
(52) **U.S. Cl.** **D12/7**
(58) **Field of Search** D12/7; D21/760,
D21/766; 280/22, 21.1, 600, 602, 607,
609, 805, 28, 13, 16, 18; 180/184, 186,
190, 196, 182

(56) **References Cited**

U.S. PATENT DOCUMENTS

780,149 A 1/1905 Anderson
905,704 A 12/1908 Johnson
1,802,116 A 4/1931 Kinsley
D95,466 S 4/1935 Stone
1,998,702 A 4/1935 Boline
2,404,402 A 7/1946 Porter
2,961,362 A * 11/1960 Landes 280/28 X
3,374,003 A 3/1968 Fulsom
3,482,849 A 12/1969 Puetz
3,632,126 A 1/1972 Shorrock

(List continued on next page.)

FOREIGN PATENT DOCUMENTS

CA 335547 9/1933
CA 36493 4/1973
CA 936197 10/1973
CA 954566 9/1974
CA 960729 1/1975
CA 987707 4/1976

OTHER PUBLICATIONS

Sno–Stuff 2000–2001 Catalog, Dec. 2000, front cover, p. 89, back cover.

Primary Examiner—Nelson C. Holtje
(74) *Attorney, Agent, or Firm*—Pillsbury Winthrop LLP

(57) **CLAIM**

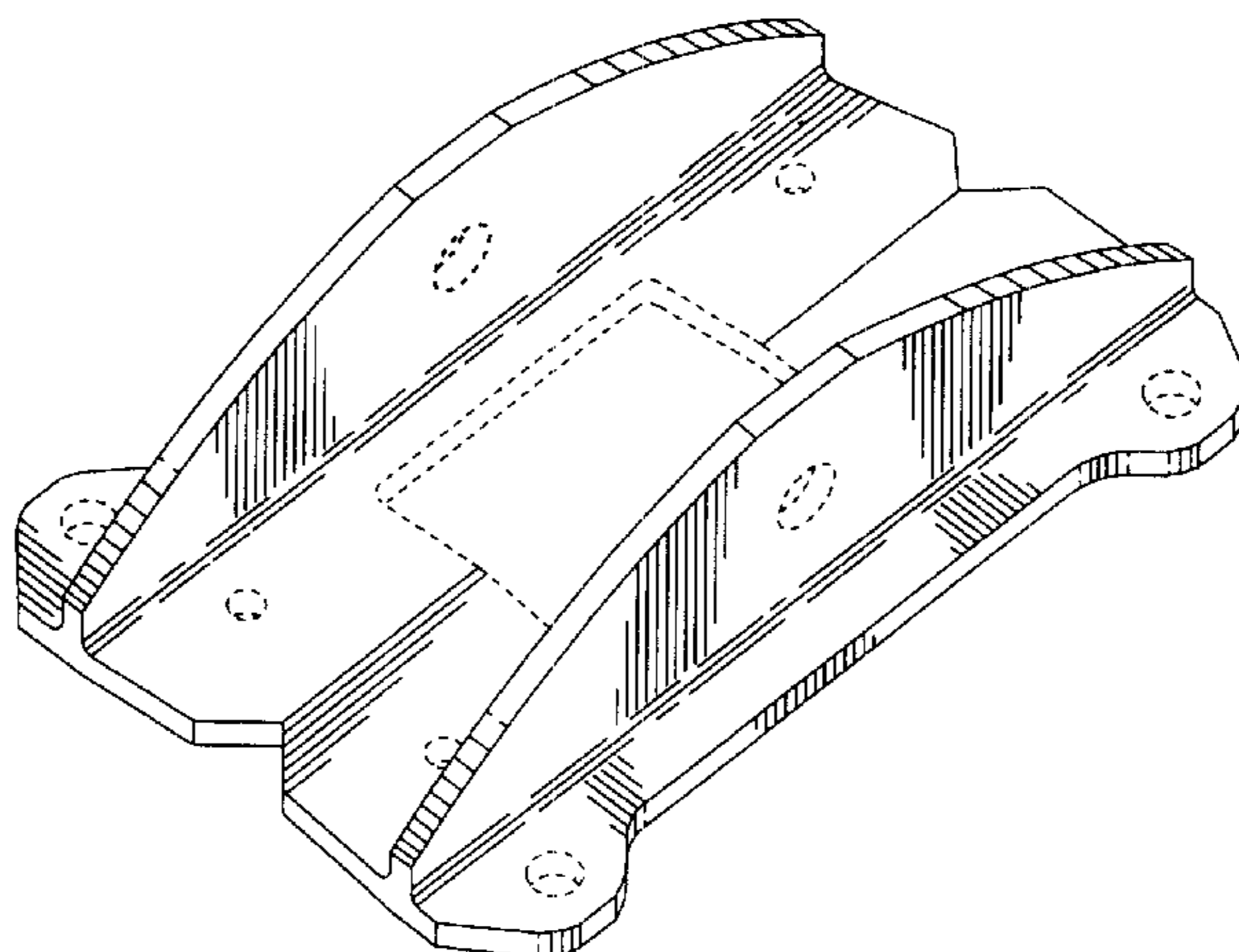
The ornamental design for a snowmobile ski mount, as shown and described.

DESCRIPTION

FIG. 1 is a perspective illustration, from the front and left side of a first variation of the snowmobile ski mount of the design;
FIG. 2 is a top view thereof;
FIG. 3 is a left side view thereof, the right side view being a mirror image;
FIG. 4 is a front view thereof, the rear view being a mirror image;
FIG. 5 is a bottom view thereof;
FIG. 6 is a perspective illustration, from the front and left side, of a second variation of the snowmobile ski mount of the design;
FIG. 7 is a top view thereof;
FIG. 8 is a left side view thereof, the right side view being a mirror image;
FIG. 9 is a front view thereof, the rear view being a mirror image; and,
FIG. 10 is a bottom view thereof.

Where included, broken lines showing environment or structure are for illustrative purposes only and form no part of the claimed design.

1 Claim, 4 Drawing Sheets



US D473,490 S

Page 2

U.S. PATENT DOCUMENTS

3,643,979 A	2/1972	Richards		D257,052 S	9/1980	Schrishuhn, Jr.	
3,645,347 A *	2/1972	Brant	280/608	4,221,394 A	9/1980	Campbell	
3,675,939 A	7/1972	Vik		4,320,905 A	3/1982	Andrew et al.	
3,711,109 A	1/1973	Hofbauer		4,340,241 A	7/1982	Crocket	
3,720,421 A	3/1973	Clemmer		4,577,876 A	3/1986	Harris	
3,734,523 A	5/1973	Field		4,869,336 A *	9/1989	Nakasaki et al.	180/196
3,785,448 A	1/1974	Merenheimo et al.		5,040,818 A	8/1991	Metheny	
3,785,665 A	1/1974	Merenheimo et al.		5,145,201 A	9/1992	Metheny	
3,817,544 A	6/1974	Labelle		5,360,220 A *	11/1994	Simmons	280/28
3,844,367 A	10/1974	Flohr		5,836,594 A	11/1998	Simmons	
4,007,946 A	2/1977	Sarver		5,853,061 A *	12/1998	Yamamoto et al.	180/190
4,085,947 A	4/1978	Sarver		D403,988 S	1/1999	Chapdelaine	
4,116,455 A	9/1978	Dotson et al.		D408,759 S	4/1999	Chapdelaine	
4,194,753 A	3/1980	Schrishuhn, Jr.		6,308,966 B1 *	10/2001	Cook et al.	280/28.11
D256,224 S	8/1980	Fritz		6,331,008 B2	12/2001	Cormican	

* cited by examiner

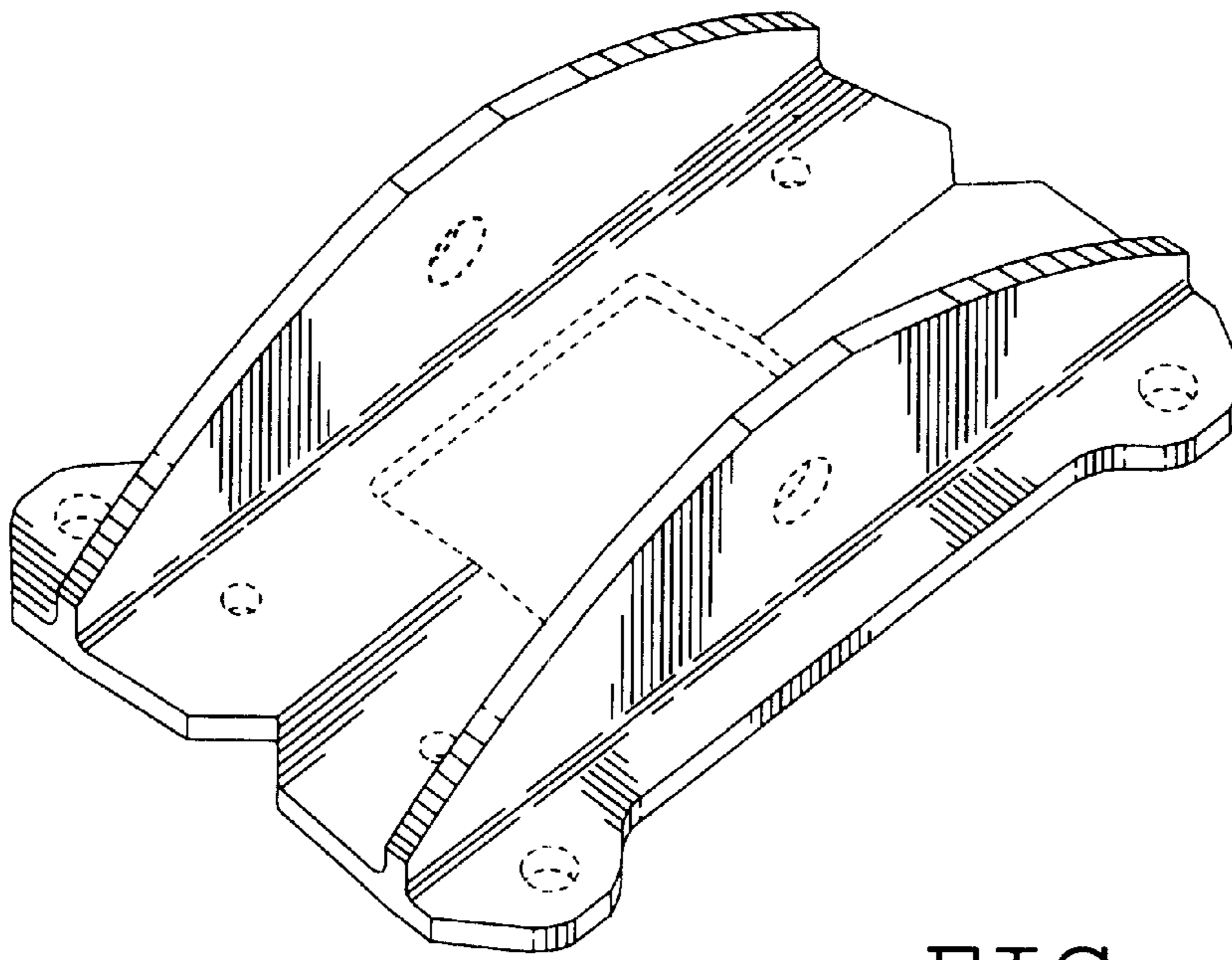


FIG. 1

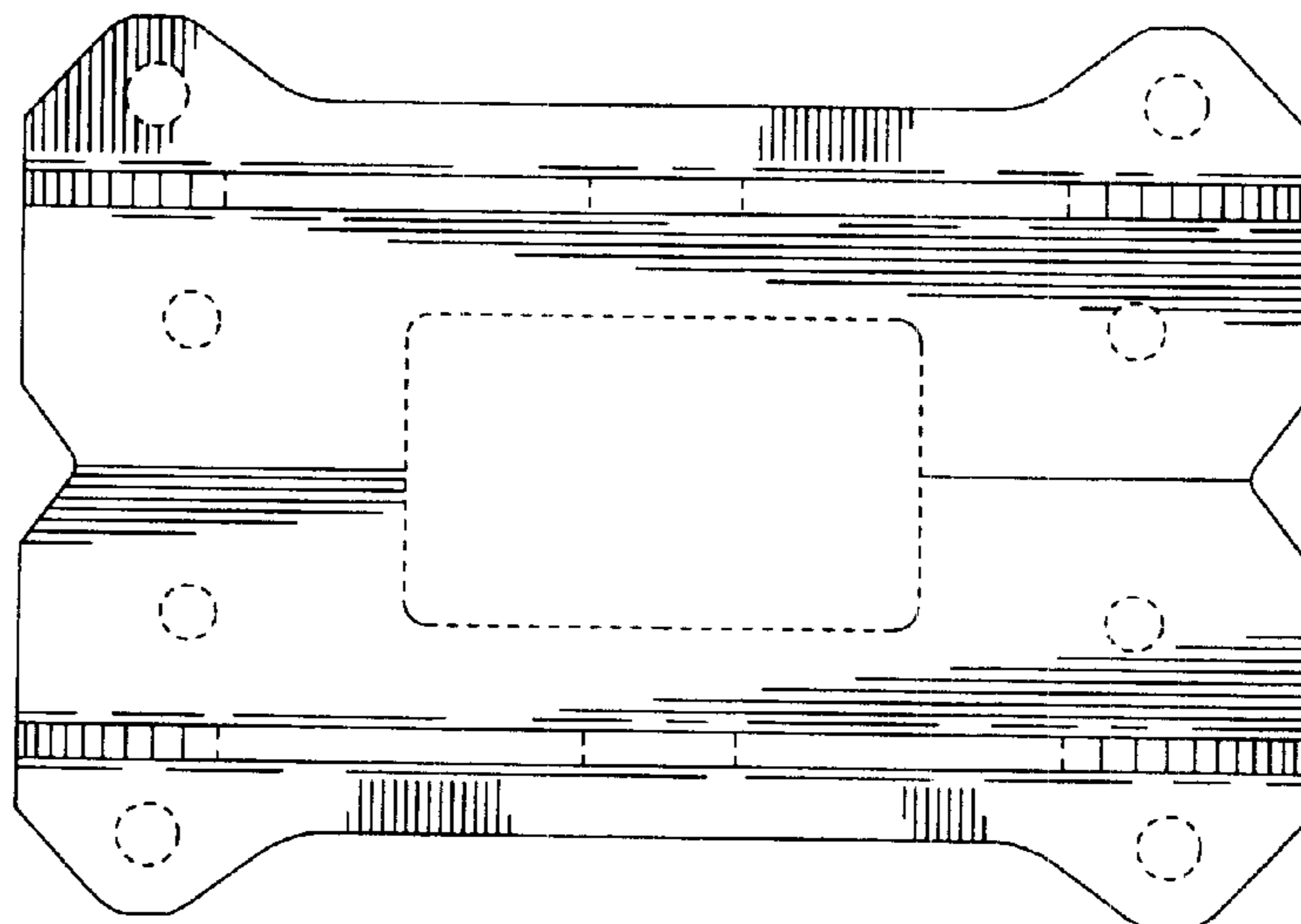


FIG. 2

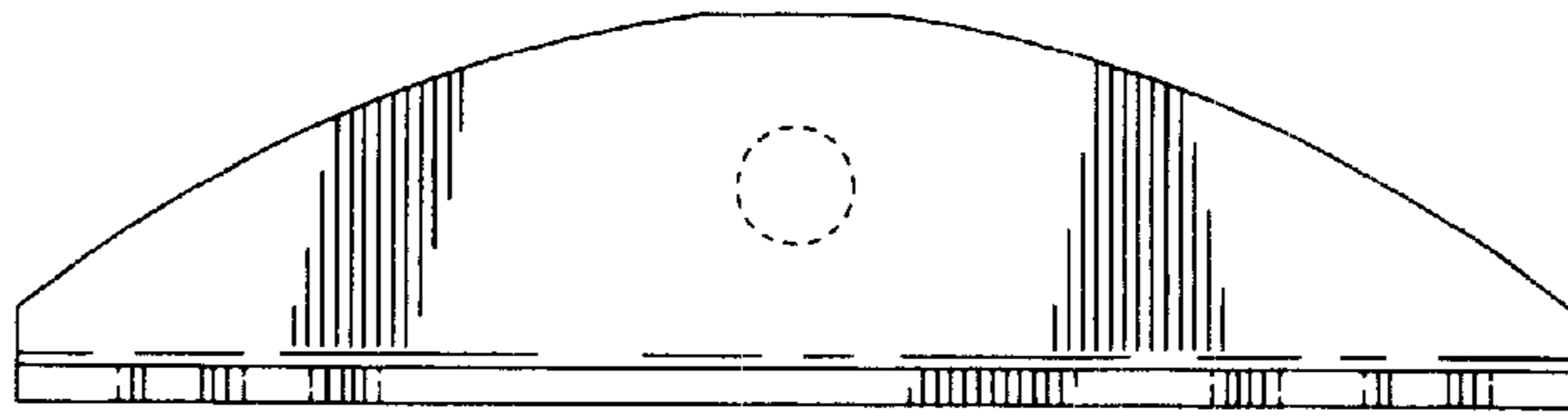


FIG. 3

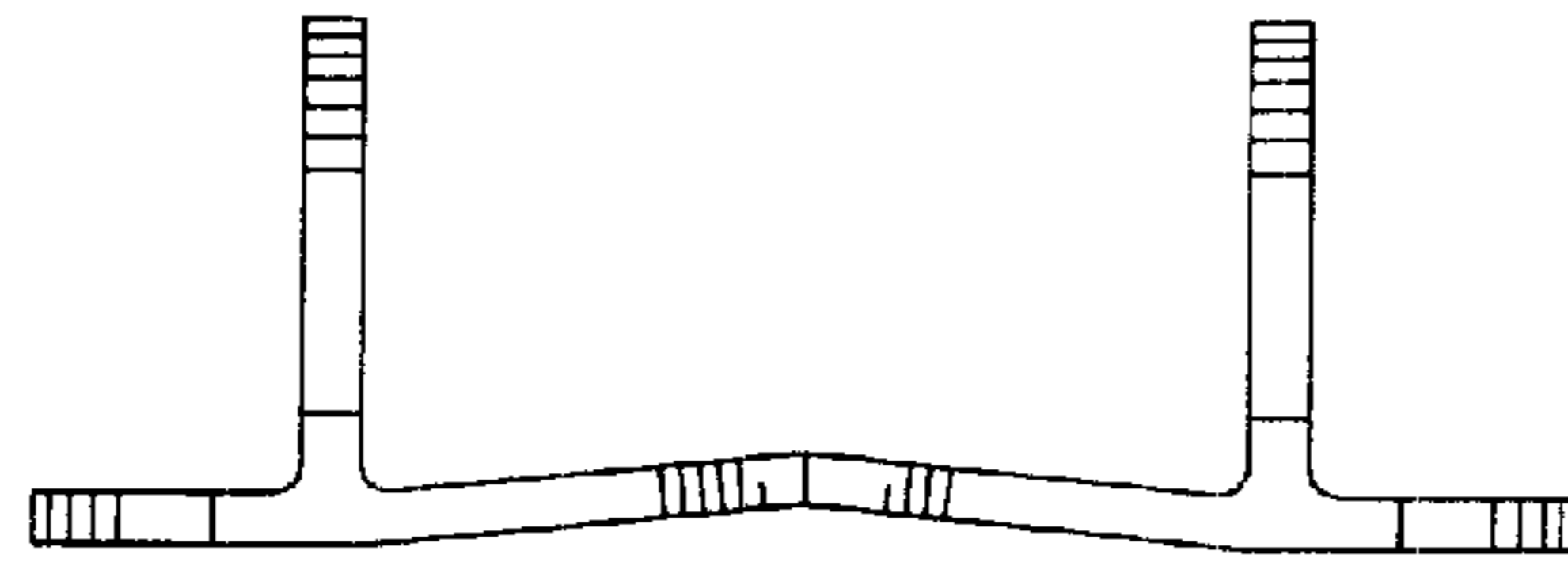


FIG. 4

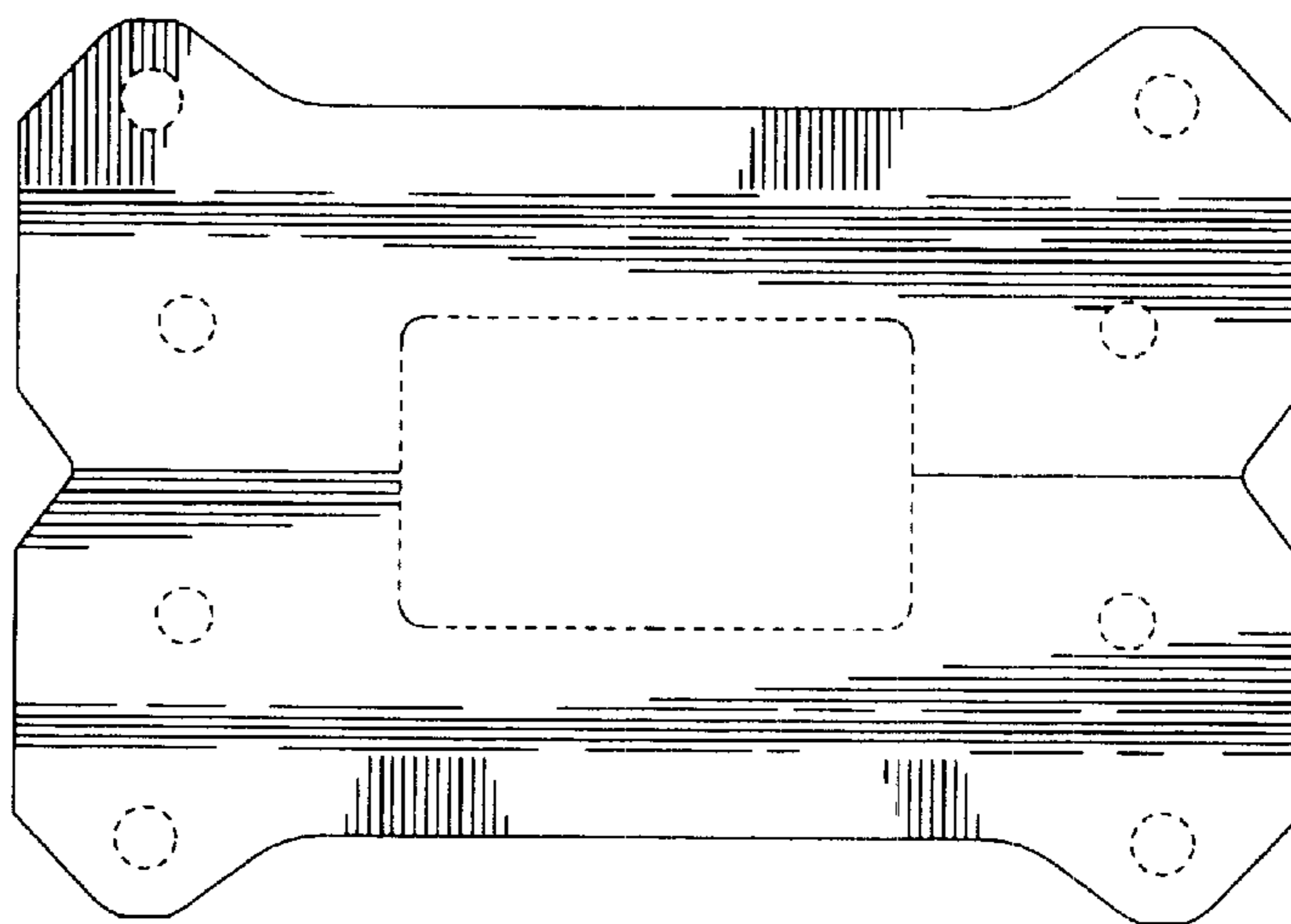


FIG. 5

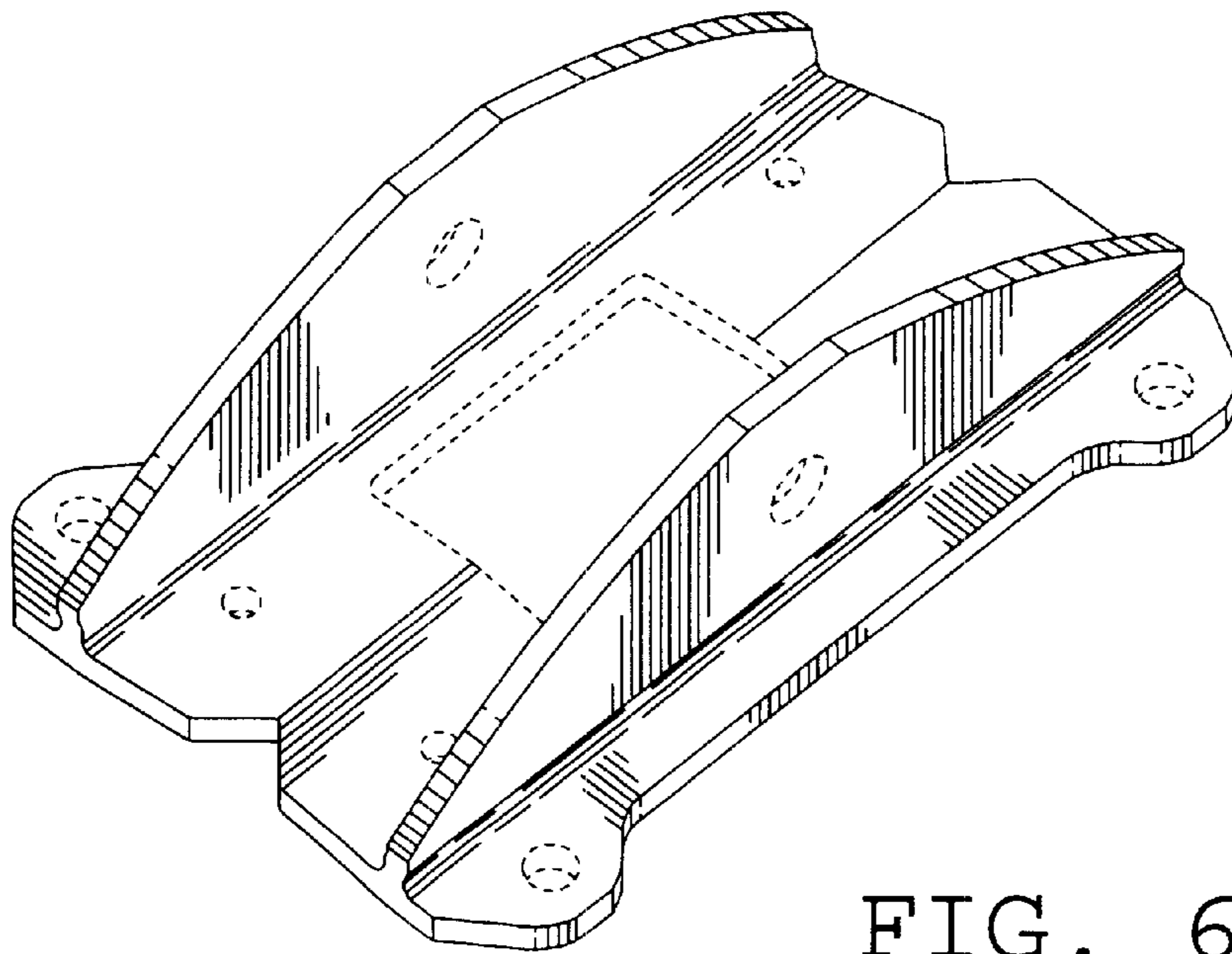


FIG. 6

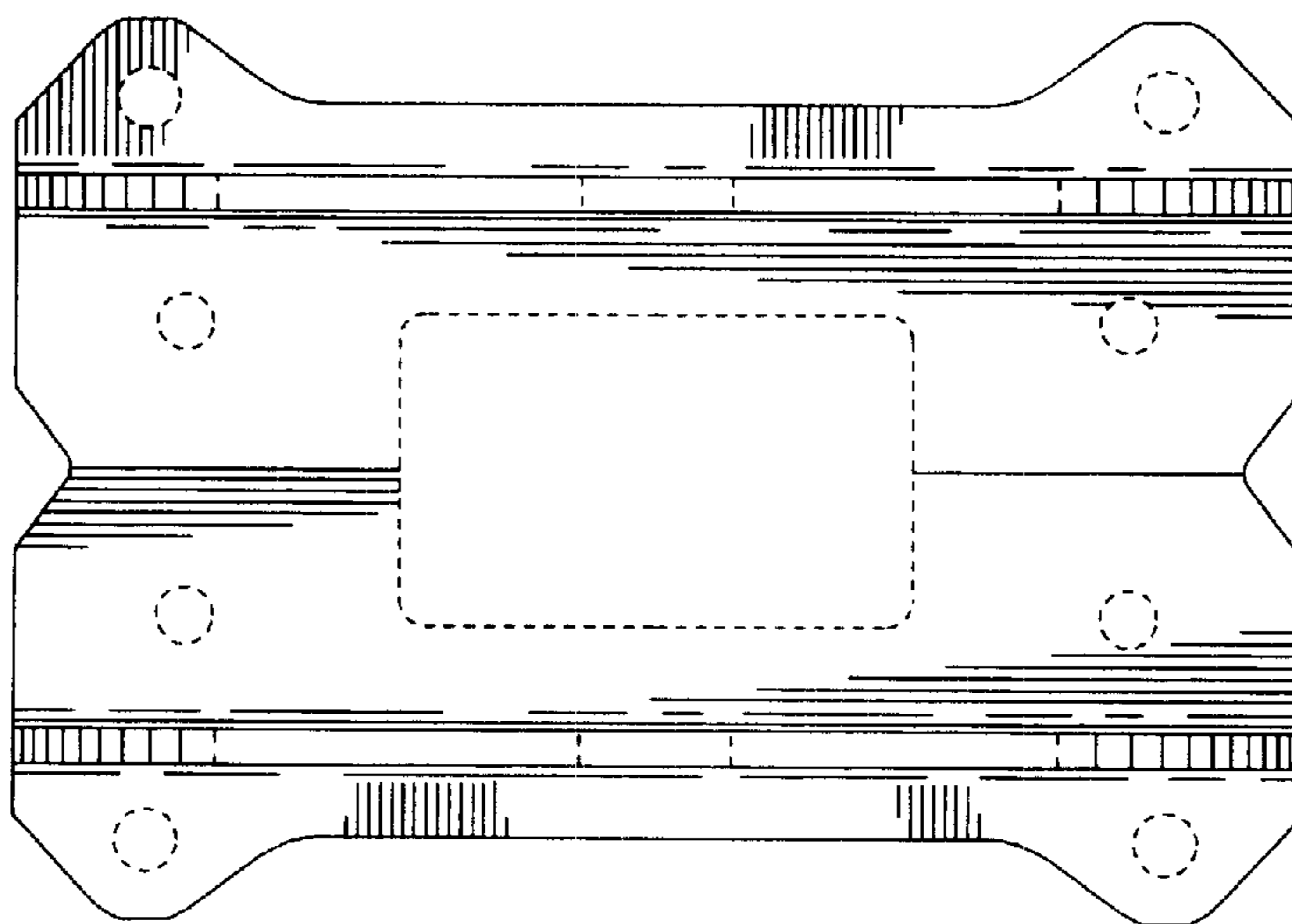


FIG. 7

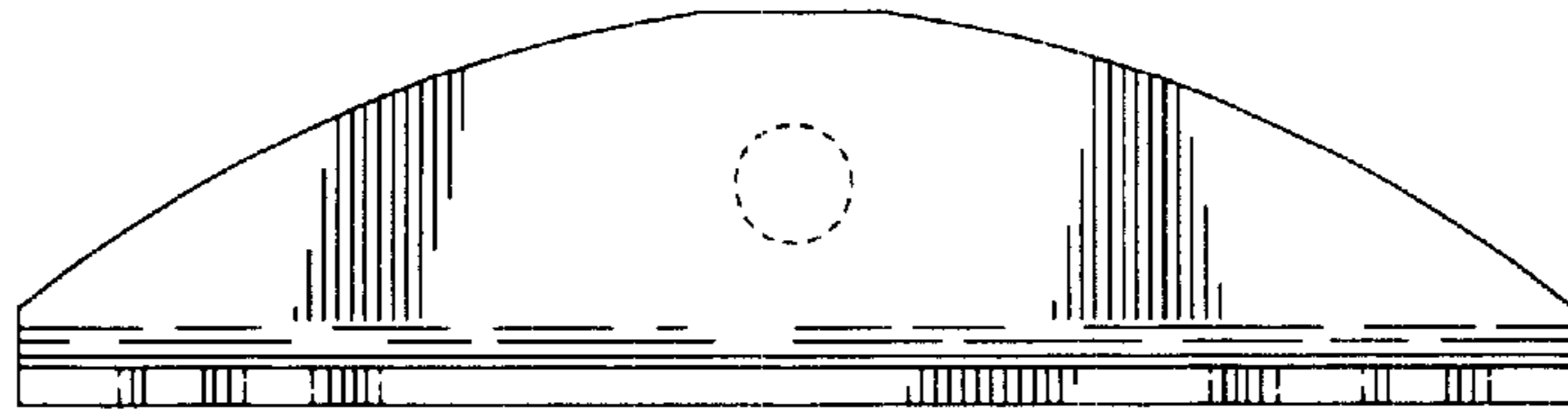


FIG. 8

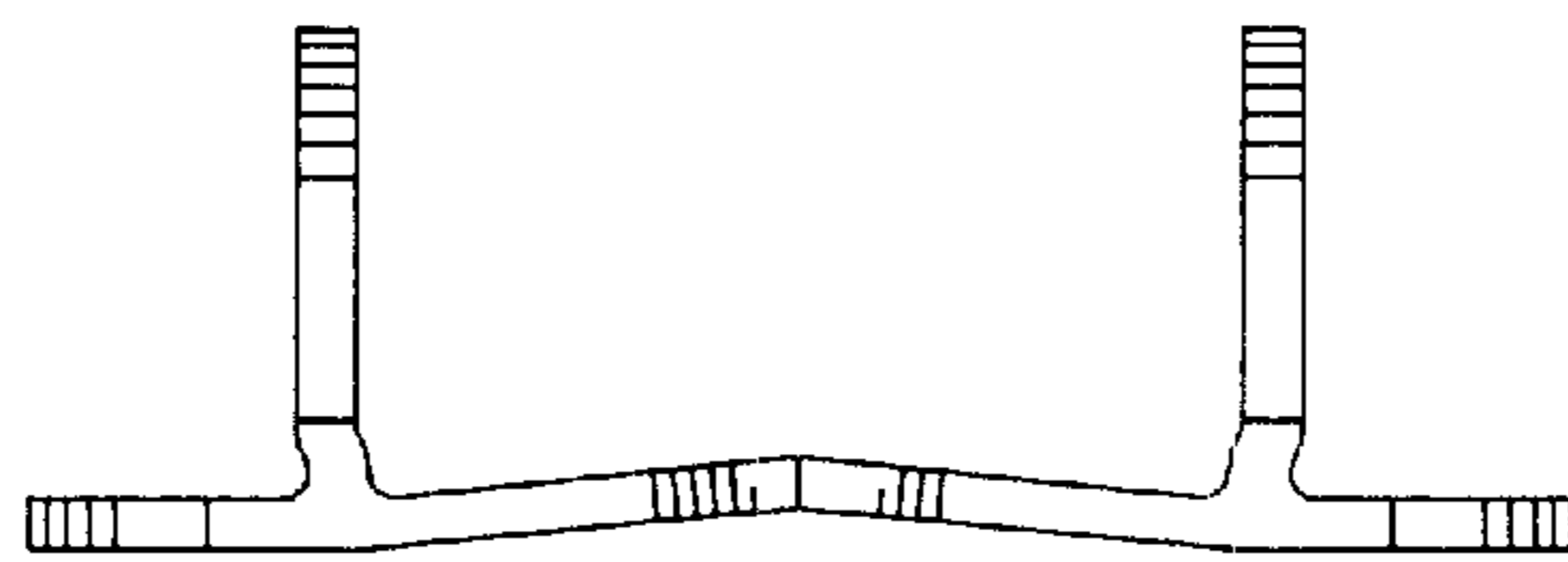


FIG. 9

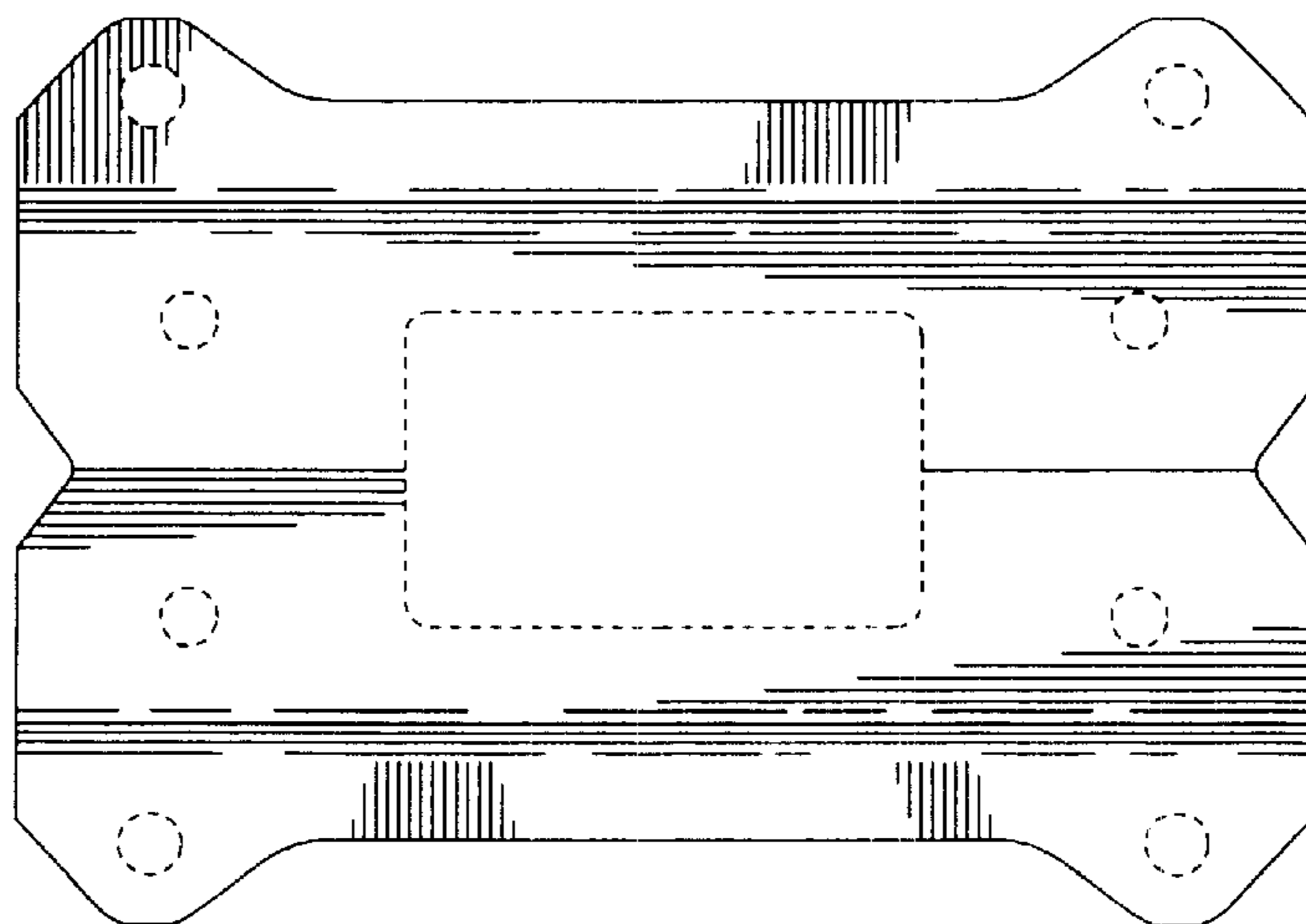


FIG. 10