



US00D473489S

(12) **United States Design Patent**
Mallette et al.

(10) **Patent No.:** **US D473,489 S**

(45) **Date of Patent:** **** Apr. 22, 2003**

(54) **SNOWMOBILE SKI**

(75) Inventors: **Bertrand Mallette**, Rock Forest (CA);
Mario Cote, Bedford (CA); **Guillaume Longpre**, Farnham (CA)

(73) Assignee: **Bombardier Inc.**, Valcourt (CA)

(**) Term: **14 Years**

(21) Appl. No.: **29/166,007**

(22) Filed: **Aug. 22, 2002**

Related U.S. Application Data

(62) Division of application No. 29/137,155, filed on Feb. 15, 2001.

(51) **LOC (7) Cl.** **12-14**

(52) **U.S. Cl.** **D12/7**

(58) **Field of Search** D12/7; D21/760,
D21/766; 280/22, 21.1, 600, 602, 607,
609, 805, 28, 13, 16, 18; 180/184, 186,
190, 196, 182

(56) **References Cited**

U.S. PATENT DOCUMENTS

780,149 A	1/1905	Anderson
905,704 A	12/1908	Johnson
1,802,116 A	4/1931	Kinsley
D95,466 S	4/1935	Stone
1,998,702 A	4/1935	Boline
2,404,402 A	7/1946	Porter
3,374,003 A	3/1968	Fulsom
3,482,849 A	12/1969	Puetz
3,632,126 A	1/1972	Shorrocks
3,643,979 A	2/1972	Richards
3,675,939 A	7/1972	Vik
3,711,109 A	1/1973	Hofbauer
3,720,421 A	3/1973	Clemmer
3,734,523 A	5/1973	Field
3,785,448 A	1/1974	Merenheimo et al.
3,785,665 A	1/1974	Merenheimo et al.
3,817,544 A	6/1974	Labelle
3,844,367 A	10/1974	Flohr

D243,264 S	*	2/1977	Koblick	D21/766
4,007,946 A		2/1977	Sarver		
4,085,947 A		4/1978	Sarver		

(List continued on next page.)

FOREIGN PATENT DOCUMENTS

CA	335547	9/1933
CA	36493	4/1973
CA	936197	10/1973
CA	954566	9/1974
CA	960729	1/1975
CA	987707	4/1976
CA	1007274	3/1977
CA	46647	3/1980
CA	50740	1/1983
CA	1287658	8/1991
CA	2095872	11/1994
CA	2109241	2/1995
CA	2244520	1/2000

OTHER PUBLICATIONS

Sno-Stuff 2000-2001 Catalog, Dec. 2000, front cover, p. 89, back cover.

Primary Examiner—Nelson C. Holtje

(74) *Attorney, Agent, or Firm*—Pillsbury Winthrop LLP

(57) **CLAIM**

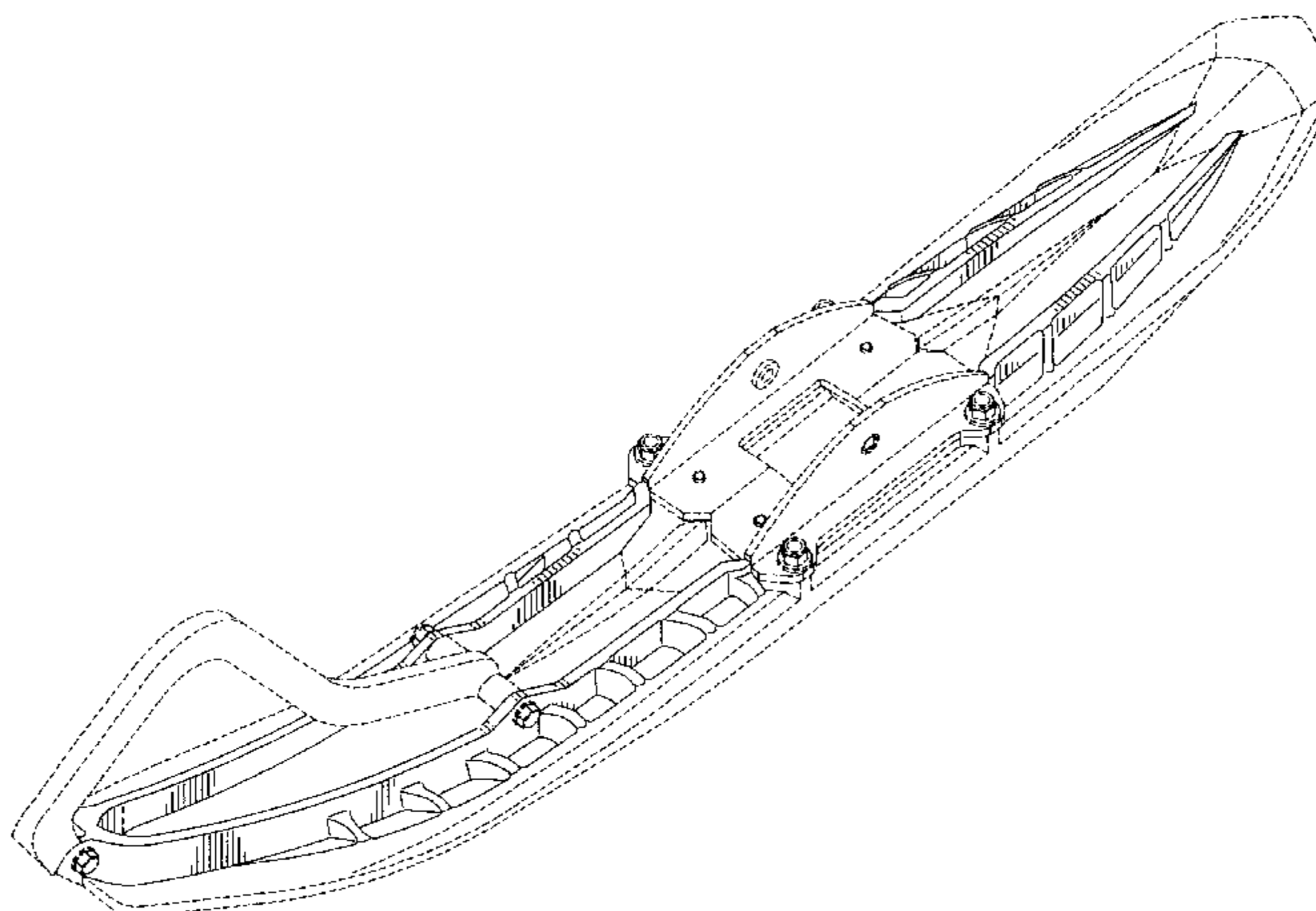
The ornamental design for a snowmobile ski, as shown and described.

DESCRIPTION

FIG. 1 is perspective illustration, from the front and the left side, of the snowmobile ski of our design;
FIG. 2 is a front view thereof;
FIG. 3 is a rear view thereof;
FIG. 4 is a left side view thereof;
FIG. 5 is a right side view thereof;
FIG. 6 is a top view thereof; and,
FIG. 7 is a bottom view thereof.

Where included, broken lines showing environment or structure are for illustrative purposes only and form no part of the claimed design.

1 Claim, 3 Drawing Sheets



US D473,489 S

Page 2

U.S. PATENT DOCUMENTS		
4,116,455 A	9/1978	Dotson et al.
4,194,753 A	3/1980	Schrishuhn, Jr.
D256,224 S	8/1980	Fritz
D257,052 S	9/1980	Schrishuhn, Jr.
4,221,394 A	9/1980	Campbell
4,320,905 A	3/1982	Andrew et al.
4,340,241 A	7/1982	Crocket
4,577,876 A	3/1986	Harris
4,869,336 A	9/1989	Nakasaki et al.
5,040,818 A	8/1991	Metheny
5,145,201 A	9/1992	Metheny
D342,044 S	* 12/1993	Hornai D12/7 * cited by examiner
5,344,168 A	* 9/1994	Olson et al. 280/28
5,360,220 A	11/1994	Simmons
5,443,278 A	* 8/1995	Berto 280/28
D367,018 S	* 2/1996	Bernat D12/7
5,836,594 A	11/1998	Simmons
D403,988 S	1/1999	Chapdelaine
D408,759 S	4/1999	Chapdelaine
6,039,136 A	* 3/2000	Kanan 180/182
6,308,966 B1	10/2001	Cook et al.
6,331,008 B2	12/2001	Cormican
6,431,561 B1	* 8/2002	Hedlund 280/28

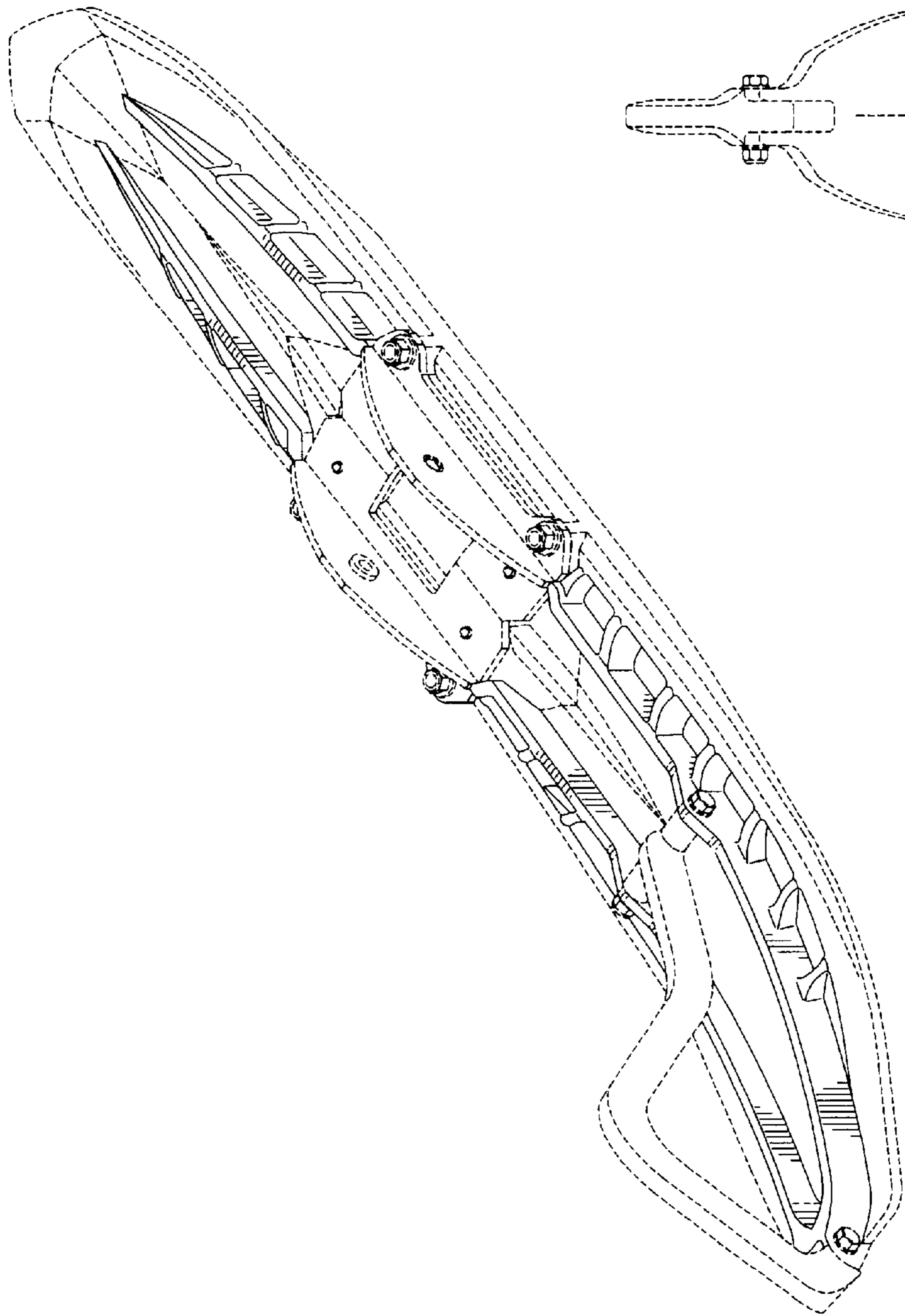


FIG. 1

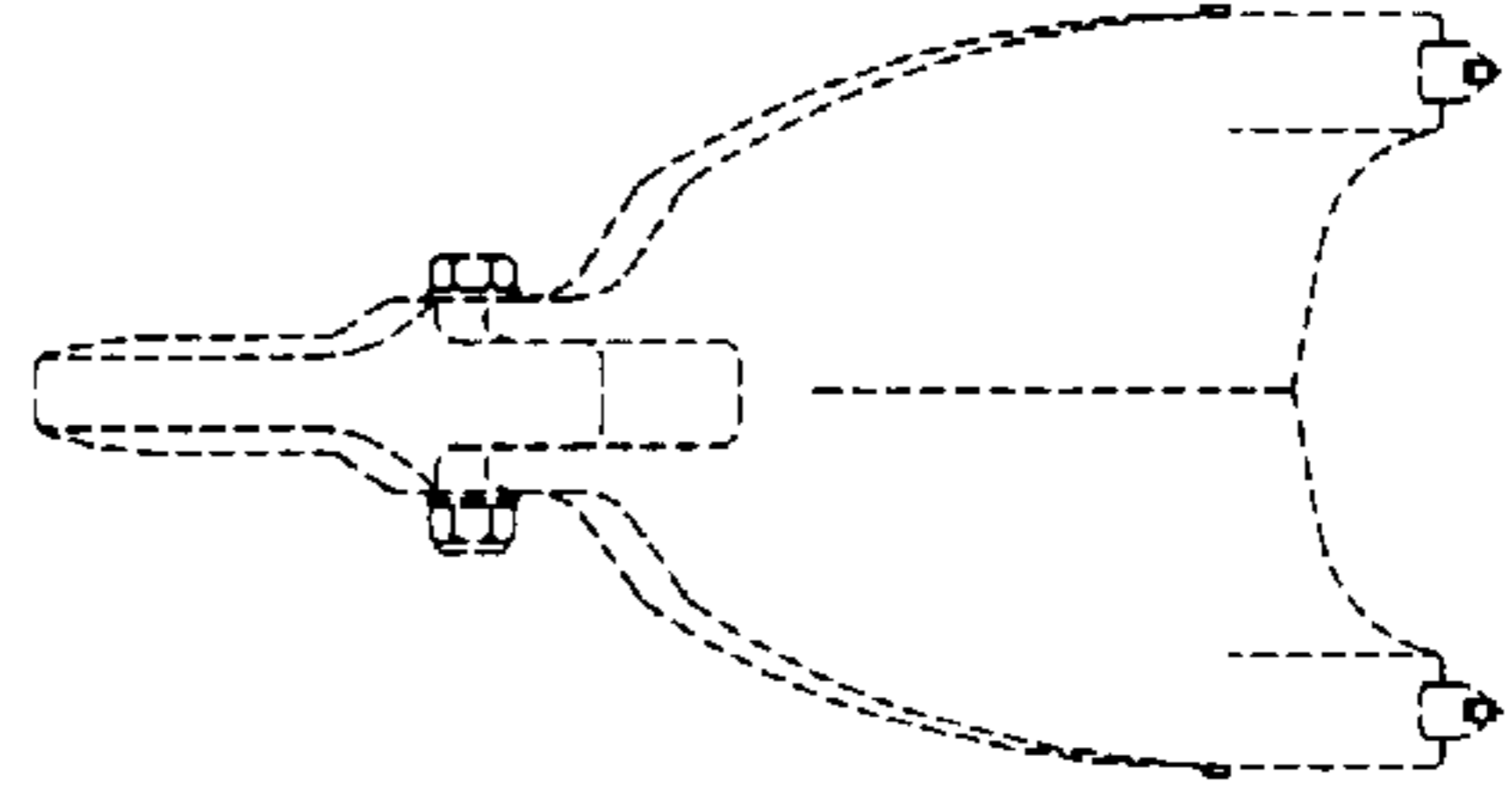


FIG. 2

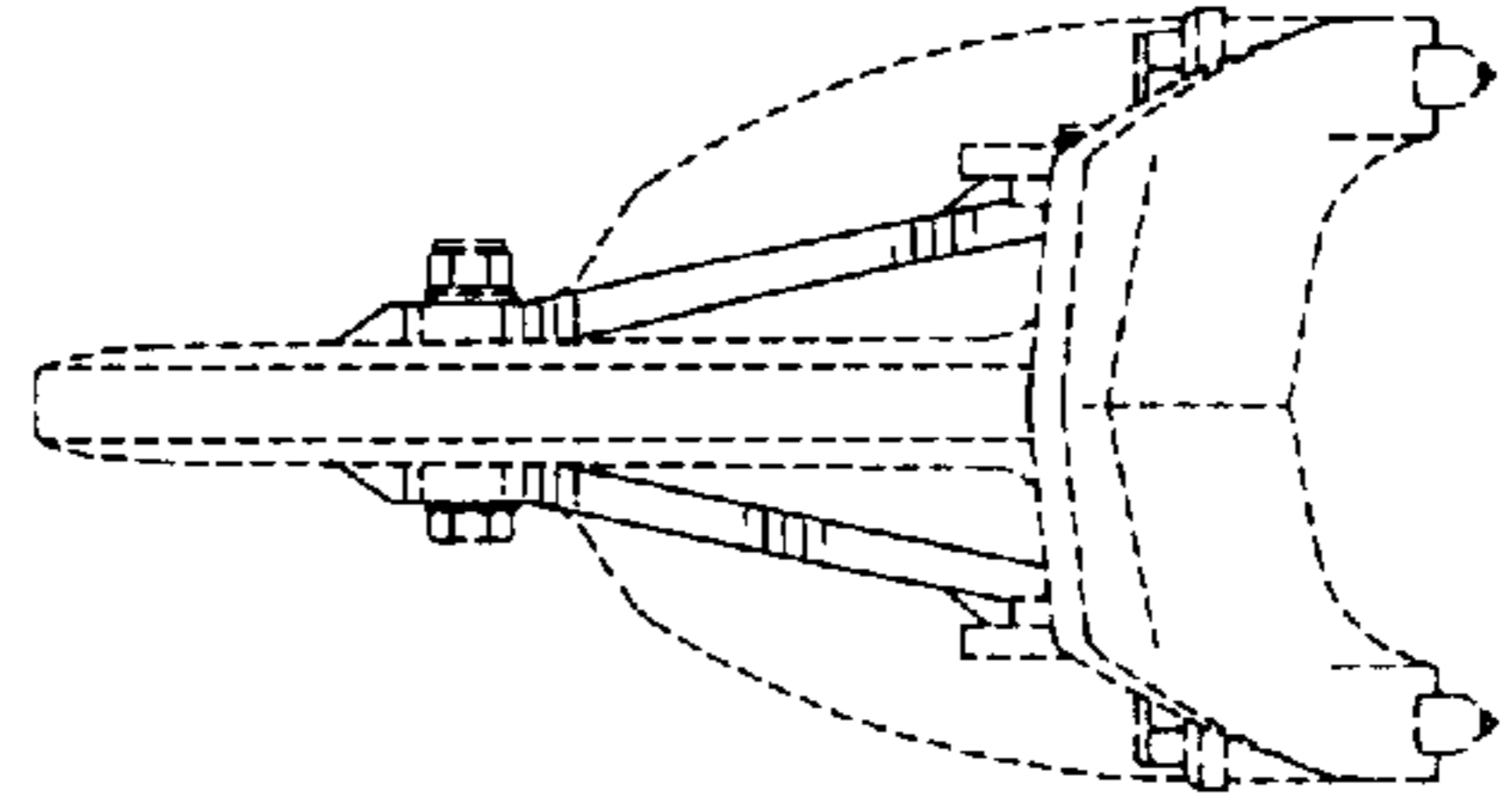


FIG. 3

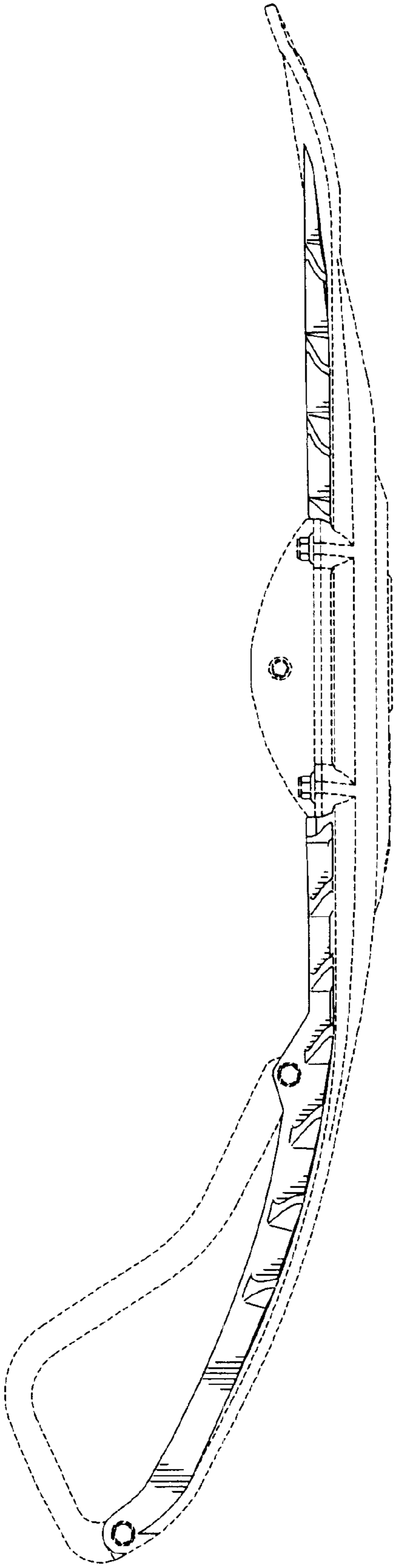


FIG. 4

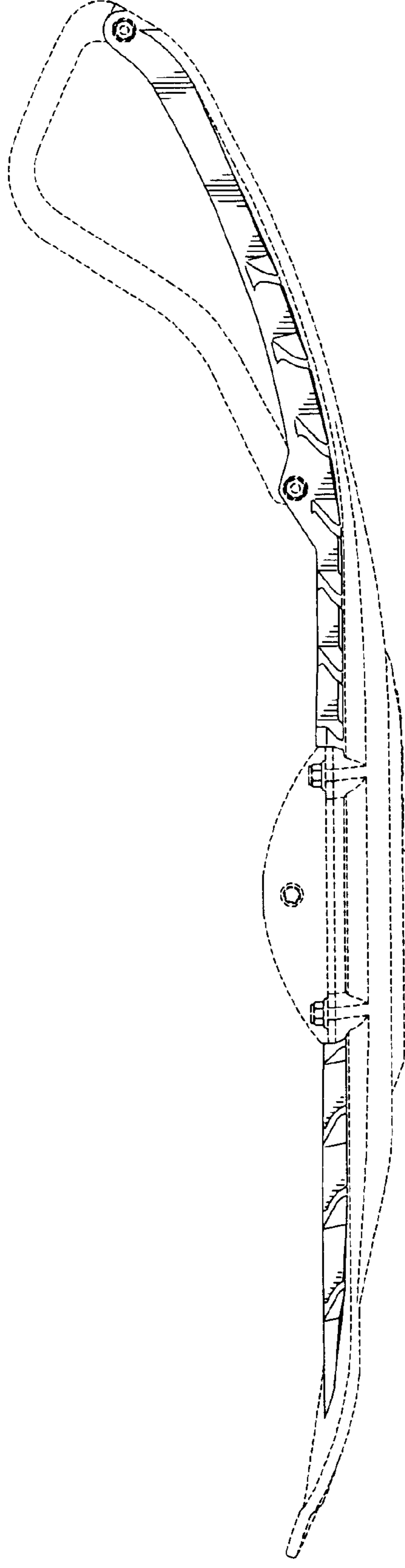


FIG. 5

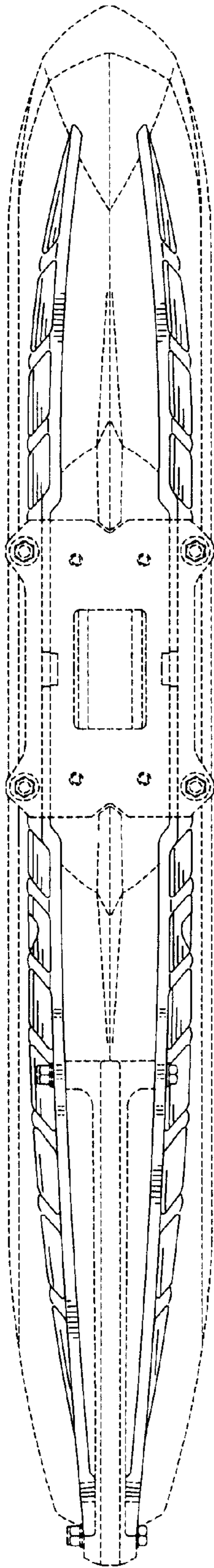


FIG. 6

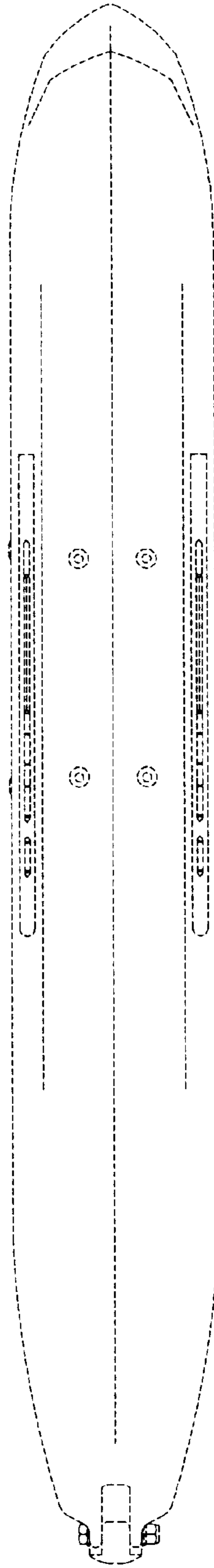


FIG. 7