



US00D473488S

(12) **United States Design Patent** (10) **Patent No.:** **US D473,488 S**
Mallette et al. (45) **Date of Patent:** **** Apr. 22, 2003**

(54) **SNOWMOBILE SKI**

4,007,946 A 2/1977 Sarver
4,085,947 A 4/1978 Sarver

(75) Inventors: **Bertrand Mallette**, Rock Forest (CA);
Mario Cote, Bedford (CA); **Guillaume Longpre**, Farnham (CA)

(List continued on next page.)

FOREIGN PATENT DOCUMENTS

(73) Assignee: **Bombardier Inc.**, Valcourt (CA)

CA	335547	9/1933
CA	36493	4/1973
CA	936197	10/1973
CA	954566	9/1974
CA	960729	1/1975
CA	987707	4/1976
CA	1007274	3/1977
CA	46647	3/1980
CA	50740	1/1983
CA	1287658	8/1991
CA	2095872	11/1994
CA	2109241	2/1995
CA	2244520	1/2000

(**) Term: **14 Years**

(21) Appl. No.: **29/166,005**

(22) Filed: **Aug. 22, 2002**

Related U.S. Application Data

(62) Division of application No. 29/137,155, filed on Feb. 15, 2001.

(51) **LOC (7) Cl.** **12-14**

(52) **U.S. Cl.** **D12/7**

(58) **Field of Search** D12/7; D21/760,
D21/766; 280/22, 21.1, 600, 602, 607,
609, 805, 28, 13, 16, 18; 180/184, 186,
190, 196, 182

OTHER PUBLICATIONS

Sno–Stuff 2000–2001 Catalog, Dec. 2000, front cover, p. 89, back cover.

Primary Examiner—Nelson C. Holtje

(74) *Attorney, Agent, or Firm*—Pillsbury Winthrop LLP

(56) **References Cited**

(57) **CLAIM**

U.S. PATENT DOCUMENTS

The ornamental design for a snowmobile ski, as shown and described.

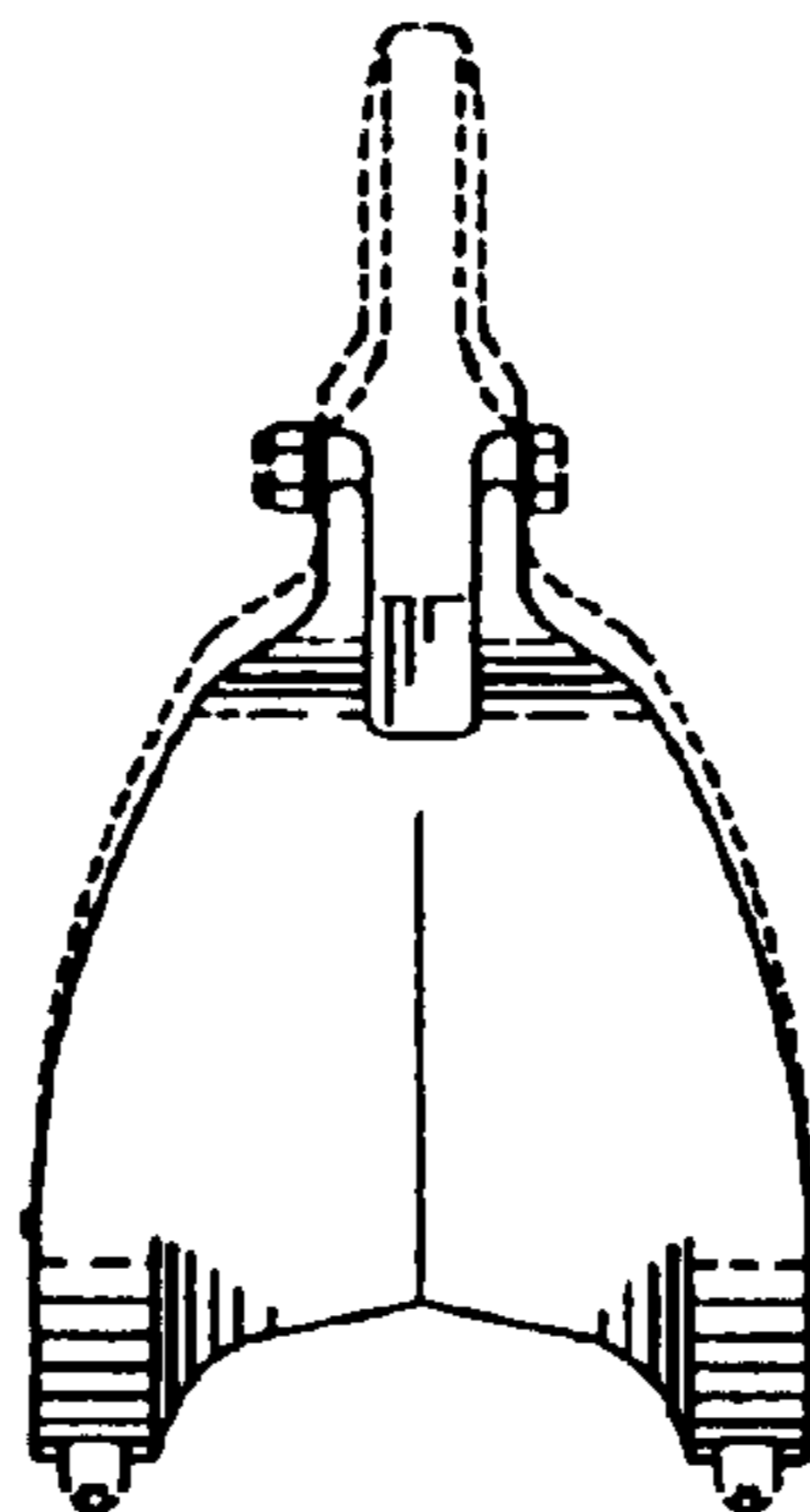
780,149 A	1/1905	Anderson	
905,704 A	12/1908	Johnson	
1,802,116 A	4/1931	Kinsley	
D95,466 S	4/1935	Stone	
1,998,702 A	4/1935	Boline	
2,404,402 A	7/1946	Porter	
3,374,003 A	3/1968	Fulsom	
3,482,849 A	* 12/1969	Puetz	280/28
3,632,126 A	1/1972	Shorroch	
3,643,979 A	2/1972	Richards	
3,675,939 A	7/1972	Vik	
3,711,109 A	1/1973	Hofbauer	
3,720,421 A	3/1973	Clemmer	
3,734,523 A	5/1973	Field	
3,785,448 A	1/1974	Merenheimo et al.	
3,785,665 A	1/1974	Merenheimo et al.	
3,817,544 A	* 6/1974	Labelle	280/28
3,844,367 A	* 10/1974	Flohr	280/28

DESCRIPTION

FIG. 1 is a perspective illustration, from the front and the left side, of the snowmobile ski of our design;
FIG. 2 is a front view thereof;
FIG. 3 is a rear view thereof;
FIG. 4 is a left side view thereof;
FIG. 5 is a right side view thereof;
FIG. 6 is a top view thereof; and,
FIG. 7 is a bottom view thereof.

Where included, broken lines showing environment or structure are for illustrative purposes only and form no part of the claimed design.

1 Claim, 3 Drawing Sheets



US D473,488 S

Page 2

U.S. PATENT DOCUMENTS

4,116,455 A	9/1978	Dotson et al.	5,040,818 A	8/1991	Metheny	
4,194,753 A	3/1980	Schrishuhn, Jr.	5,145,201 A	9/1992	Metheny	
D256,224 S	8/1980	Fritz	5,360,220 A	11/1994	Simmons	
D257,052 S	9/1980	Schrishuhn, Jr.	5,836,594 A	11/1998	Simmons	
4,221,394 A	9/1980	Campbell	D403,988 S	1/1999	Chapdelaine	
4,320,905 A	3/1982	Andrew et al.	D408,759 S	4/1999	Chapdelaine	
4,340,241 A	7/1982	Crocket	6,276,699 B1 *	8/2001	Simmons et al. 280/28
4,577,876 A	3/1986	Harris	6,308,966 B1	10/2001	Cook et al.	
4,869,336 A	9/1989	Nakasaki et al.	6,331,008 B2	12/2001	Cormican	

* cited by examiner

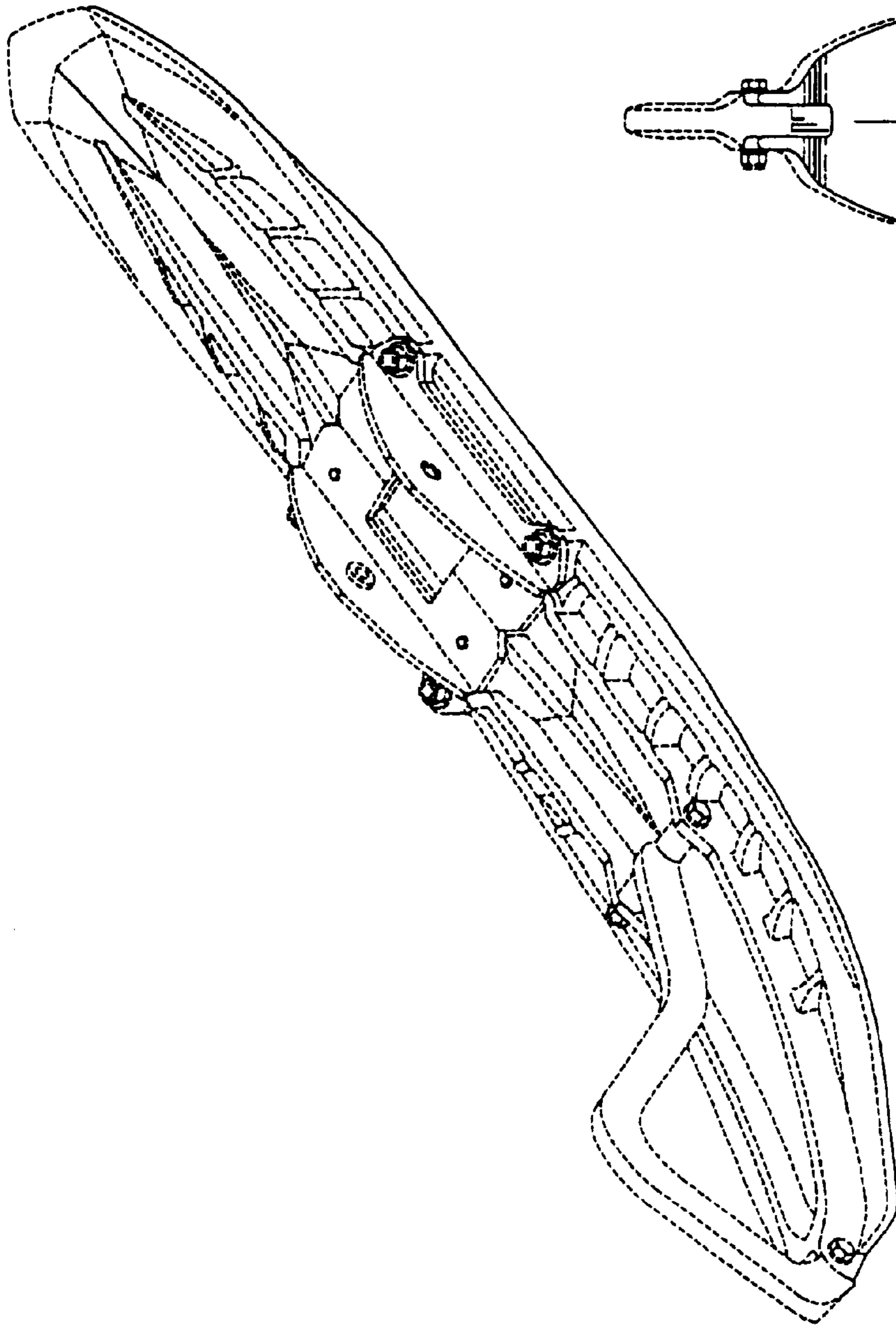


FIG. 1

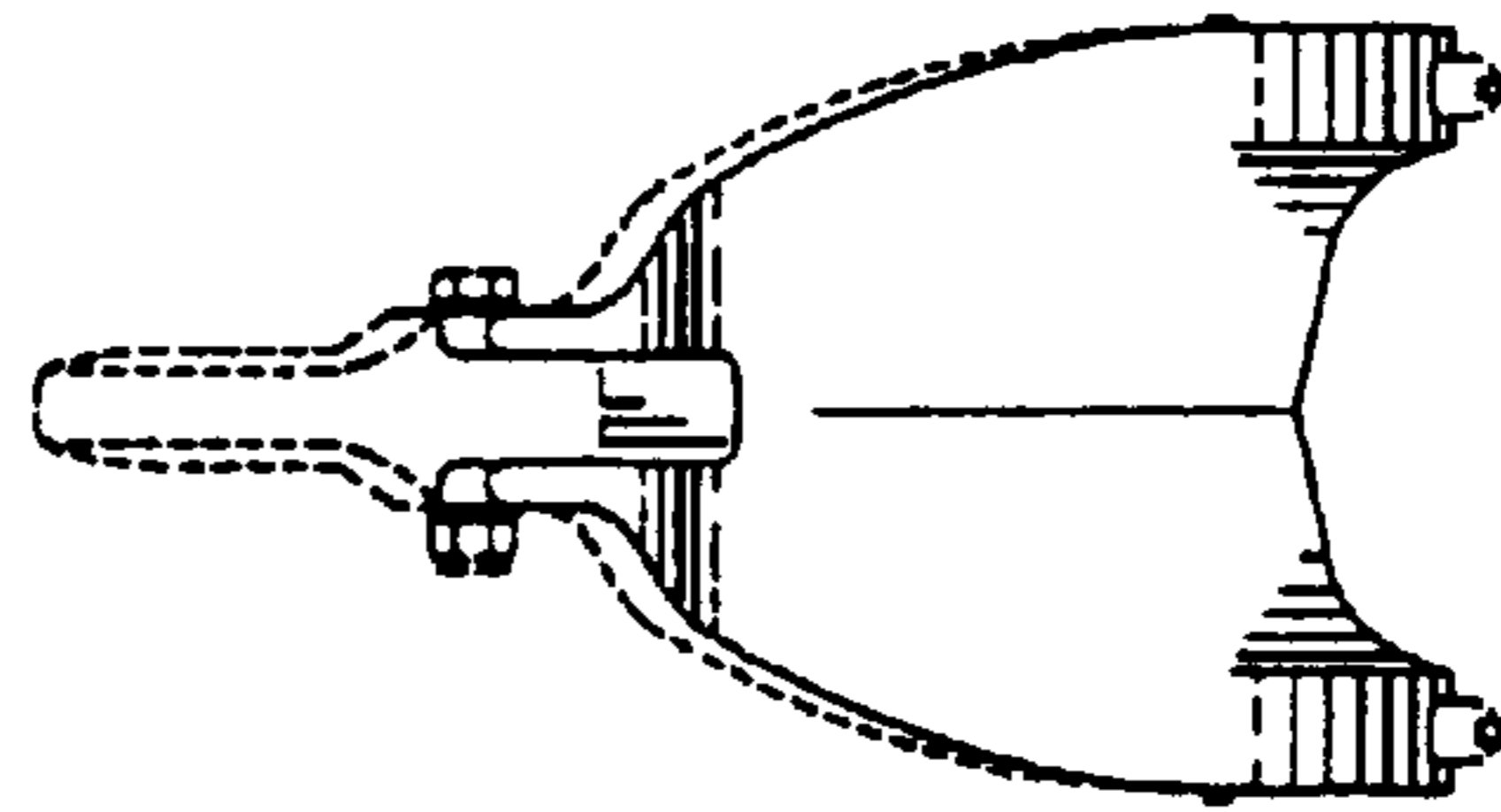


FIG. 2

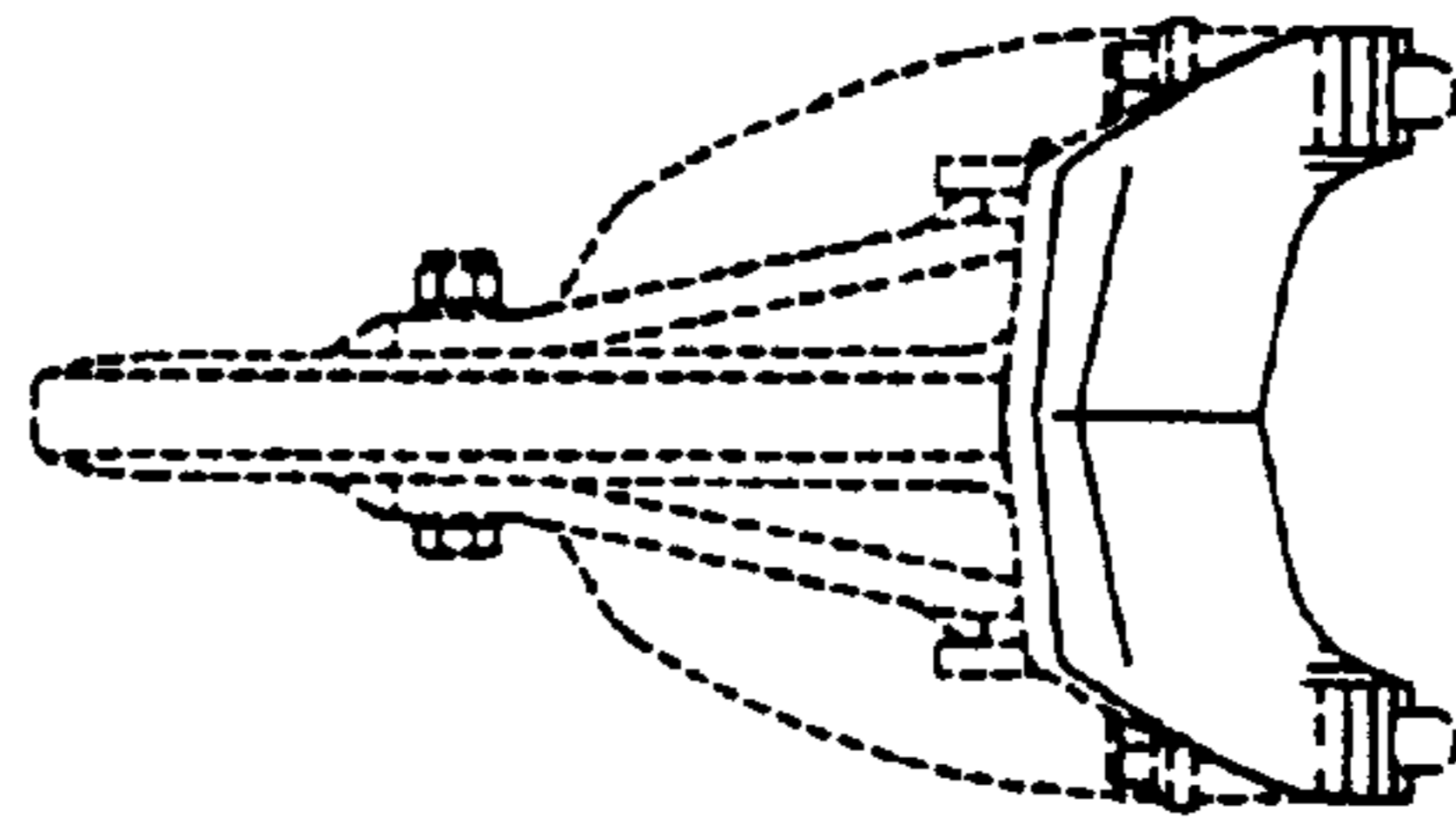


FIG. 3

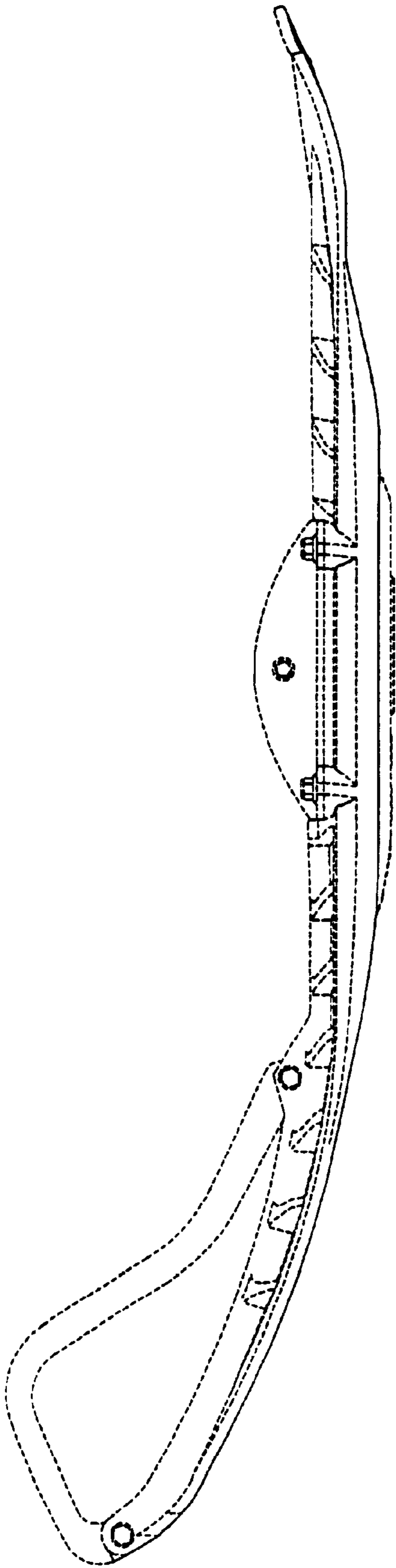


FIG. 4

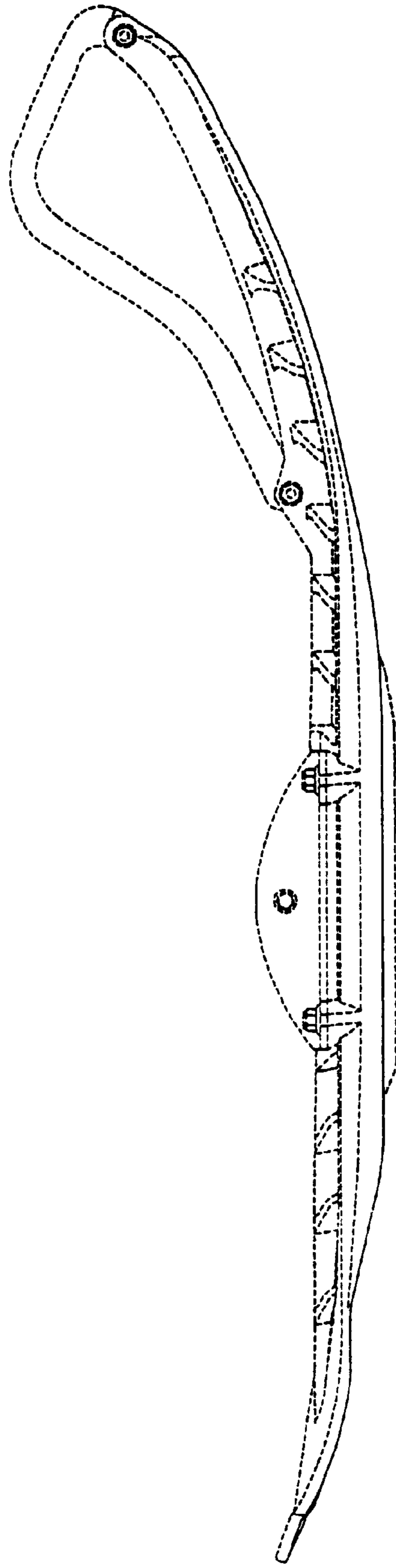


FIG. 5

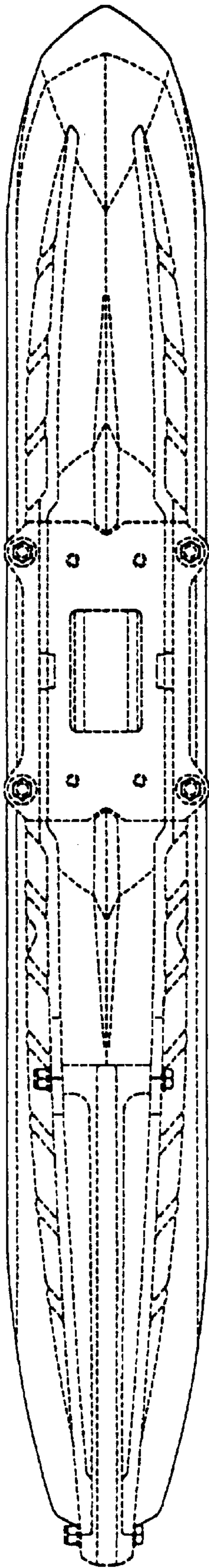


FIG. 6

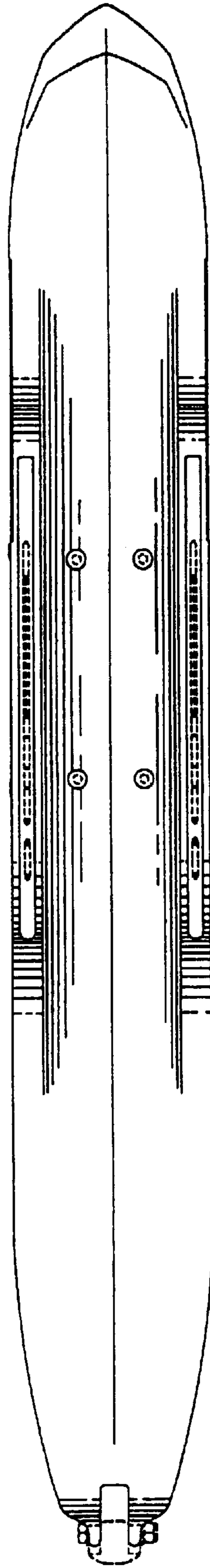


FIG. 7