



US00D473482S

(12) **United States Design Patent**
Felmingham

(10) **Patent No.:** **US D473,482 S**

(45) **Date of Patent:** **** Apr. 22, 2003**

(54) **BUOYANCY DEVICE**

(75) Inventor: **Malcolm Felmingham**, Weybourne
(GB)

(73) Assignee: **Scholle Europe Limited**, Norfolk (GB)

(**) Term: **14 Years**

(21) Appl. No.: **29/147,353**

(22) Filed: **Aug. 28, 2001**

(30) **Foreign Application Priority Data**

Feb. 28, 2001 (GB) 2099889
Feb. 28, 2001 (GB) 2099890

(51) **LOC (7) Cl.** **10-05**

(52) **U.S. Cl.** **D10/107; D34/28**

(58) **Field of Search** D34/28, 33, 35,
D34/39; 441/1, 2, 133, 7, 136, 9; 405/195.1;
D10/107

(56) **References Cited**

U.S. PATENT DOCUMENTS

325,162 A * 8/1885 Delany 441/1
2,411,202 A * 11/1946 Gardner 441/1
3,071,787 A * 1/1963 Burkner 441/2
3,451,079 A * 6/1969 Kagan 441/133
3,860,983 A * 1/1975 Furth et al. 441/133
5,902,163 A * 5/1999 Baruzzi et al. 441/1
6,074,259 A * 6/2000 Lastrajoli et al. 441/1

6,206,742 B1 * 3/2001 Bull et al. 441/1
6,309,269 B1 * 10/2001 Fulton et al. 441/1
6,431,931 B2 * 8/2002 Johnson 441/1

* cited by examiner

Primary Examiner—Cynthia E. Ramirez

(74) *Attorney, Agent, or Firm*—Alan Kamrath; Rider,
Bennett, Egan & Arundel, LLP

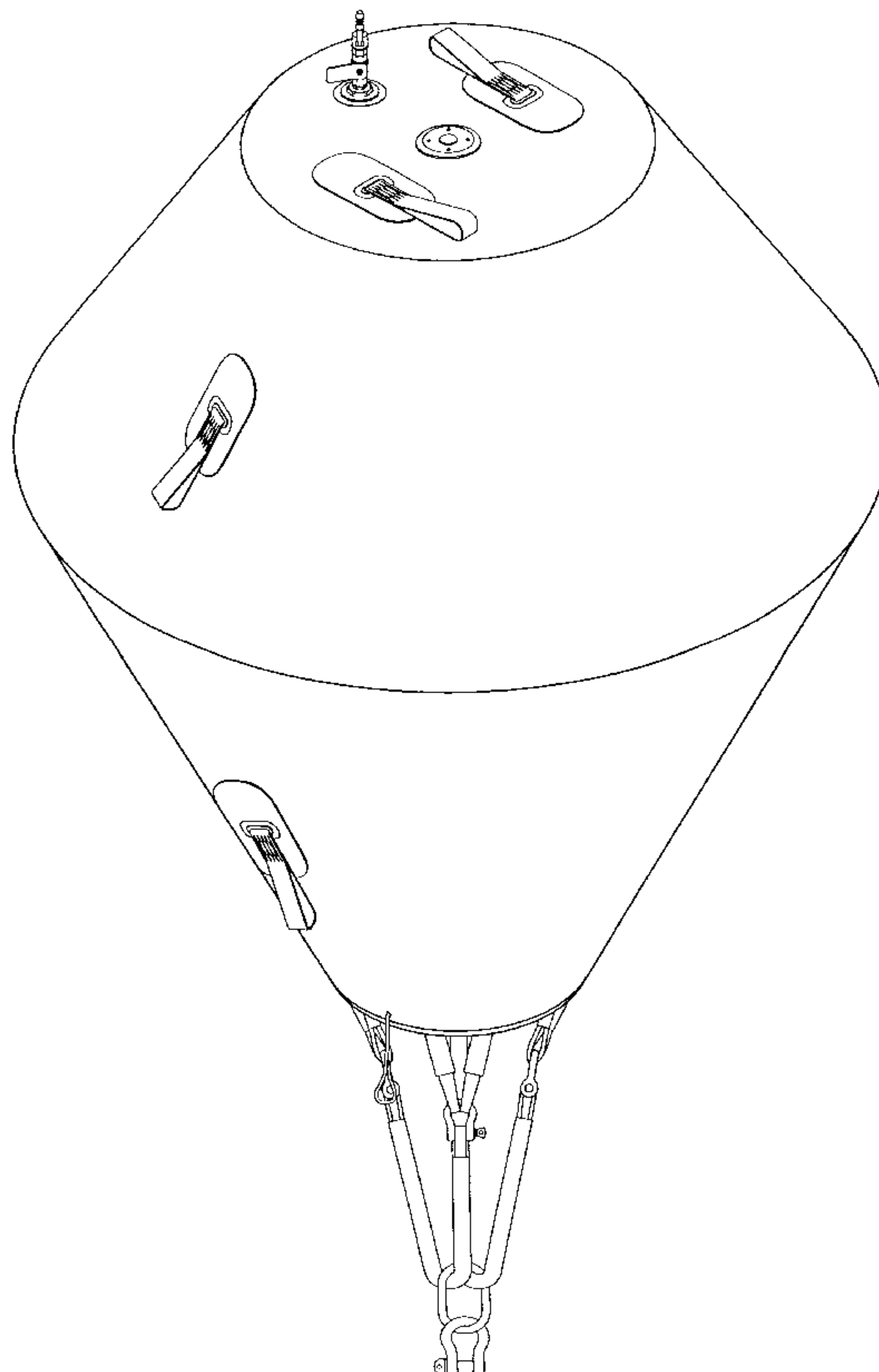
(57) **CLAIM**

The ornamental design for a buoyancy device, as shown and described.

DESCRIPTION

FIG. 1 illustrates a perspective view showing my new design;
FIG. 2 illustrates a side view thereof;
FIG. 3 illustrates a top plan view thereof;
FIG. 4 illustrates a flat, internal view of one of two panels forming the lower portion of my design;
FIG. 5 illustrates a perspective view showing an alternate embodiment of my new design;
FIG. 6 illustrates a side view of FIG. 5;
FIG. 7 illustrates a top plan view of FIG. 5; and,
FIG. 8 illustrates a flat, internal view of one of four panels forming the lower portion of FIG. 5.
The other elements of the buoyancy device are not being shown in FIGS. 4 and 8 for convenience of illustration.

1 Claim, 6 Drawing Sheets



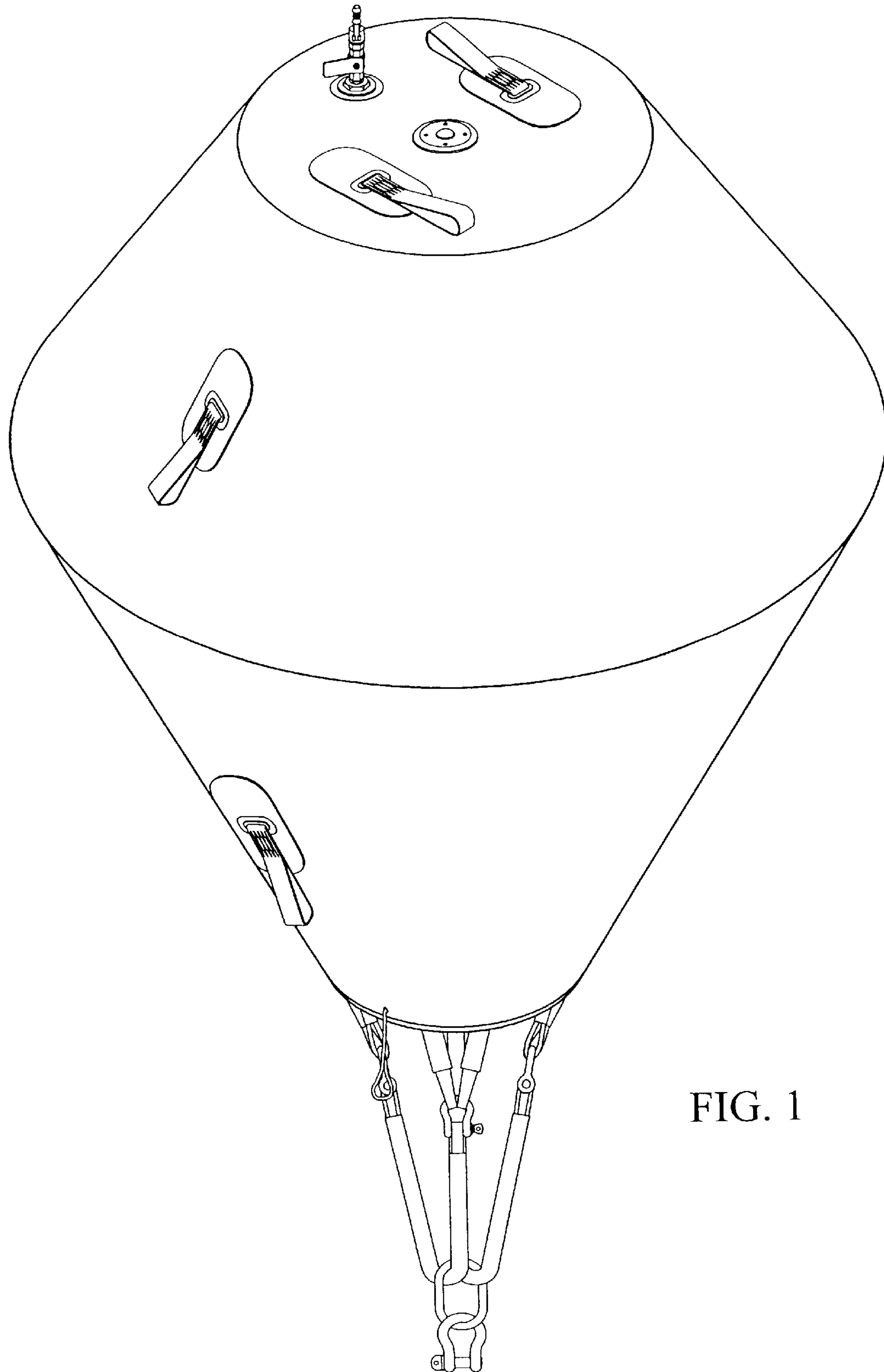


FIG. 1

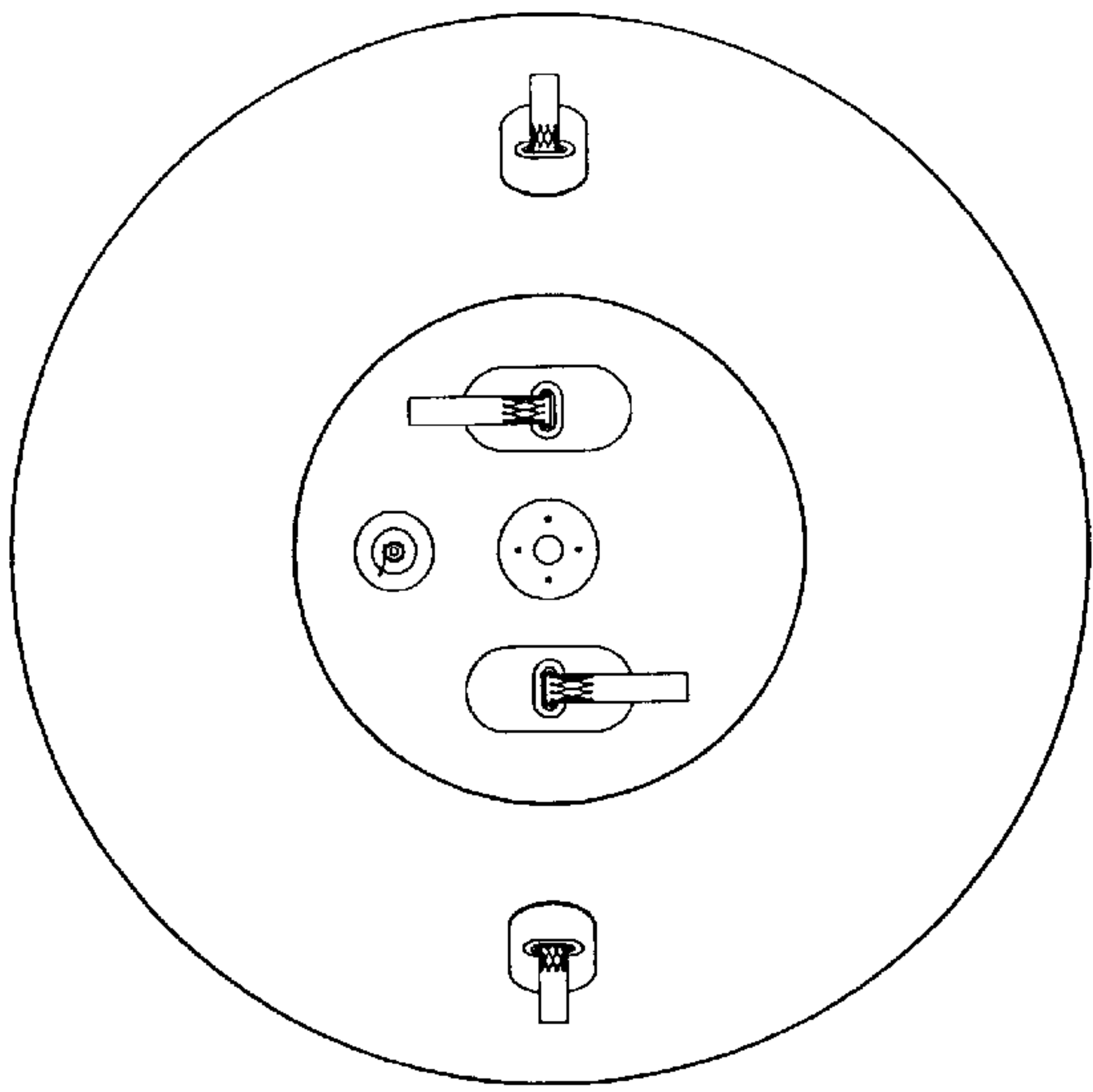


FIG. 3

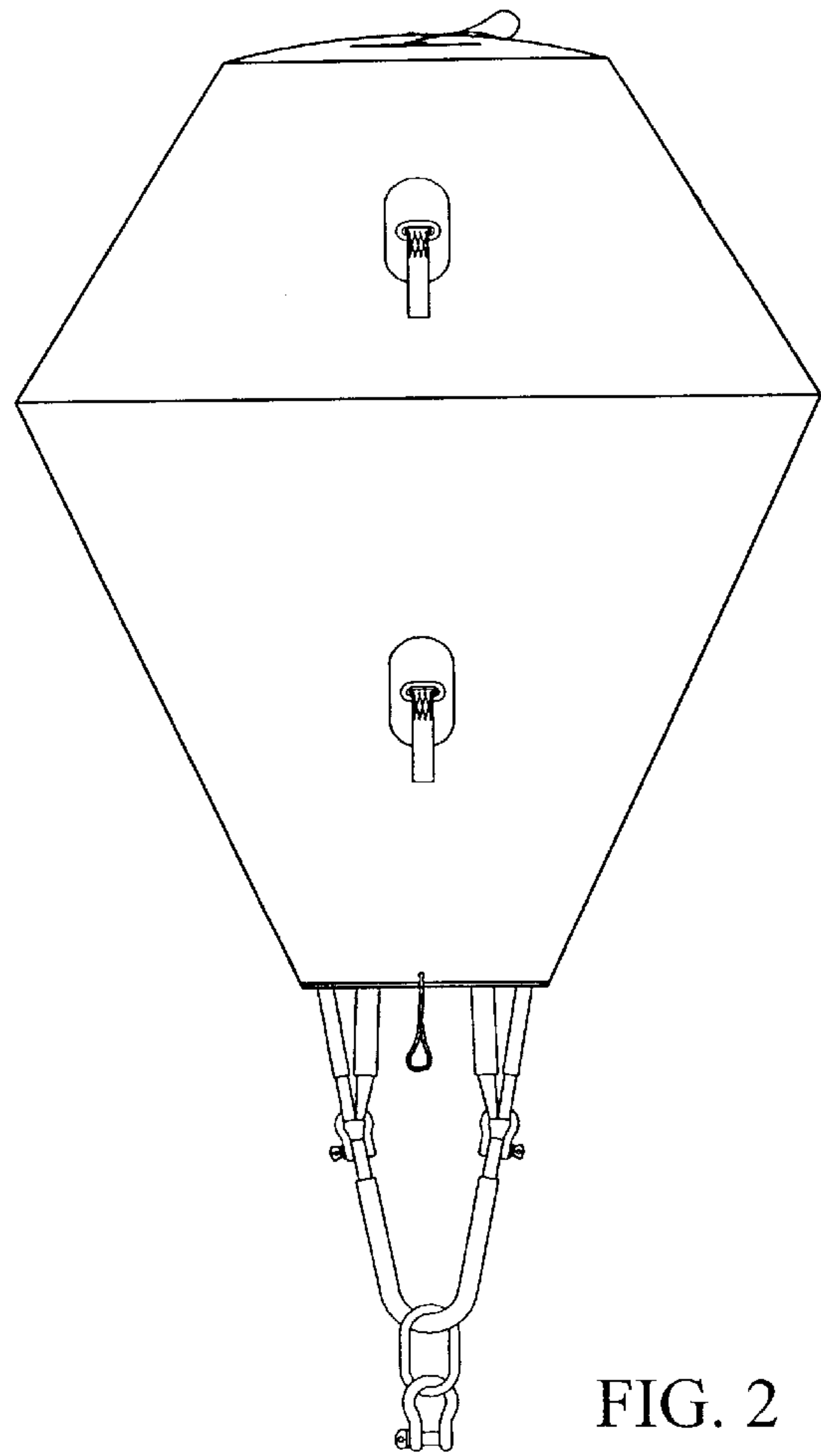


FIG. 2

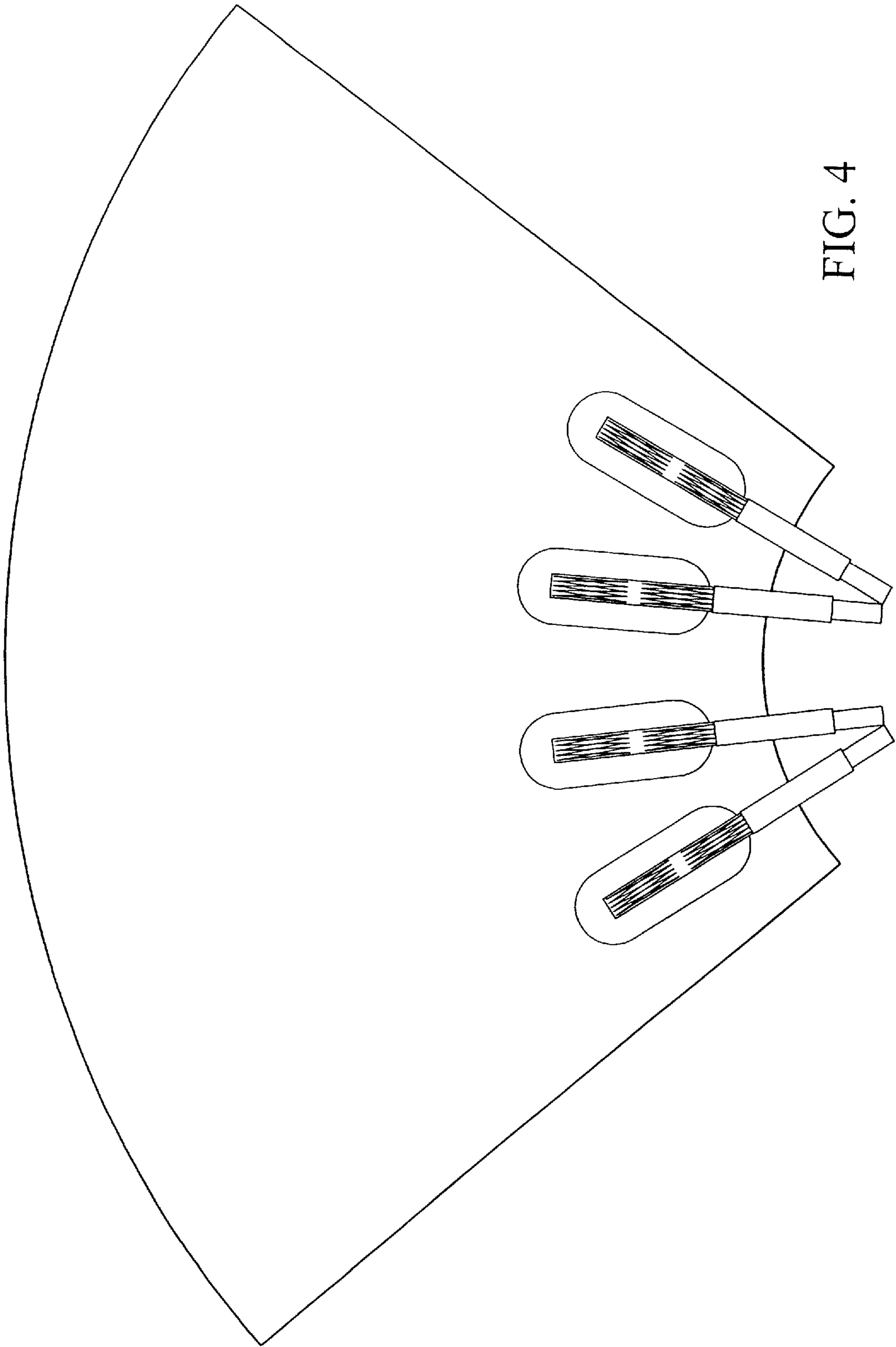


FIG. 4

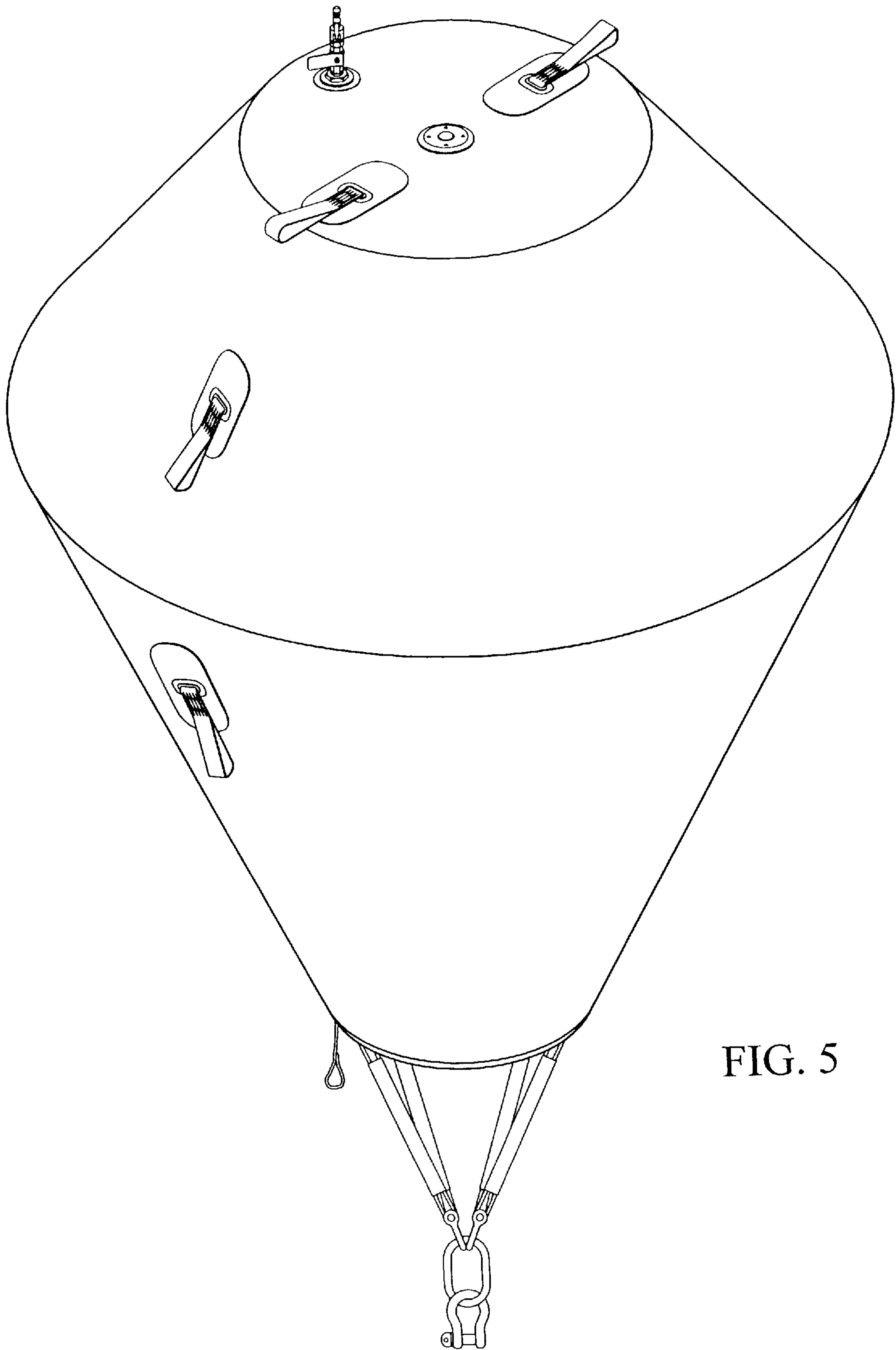


FIG. 5

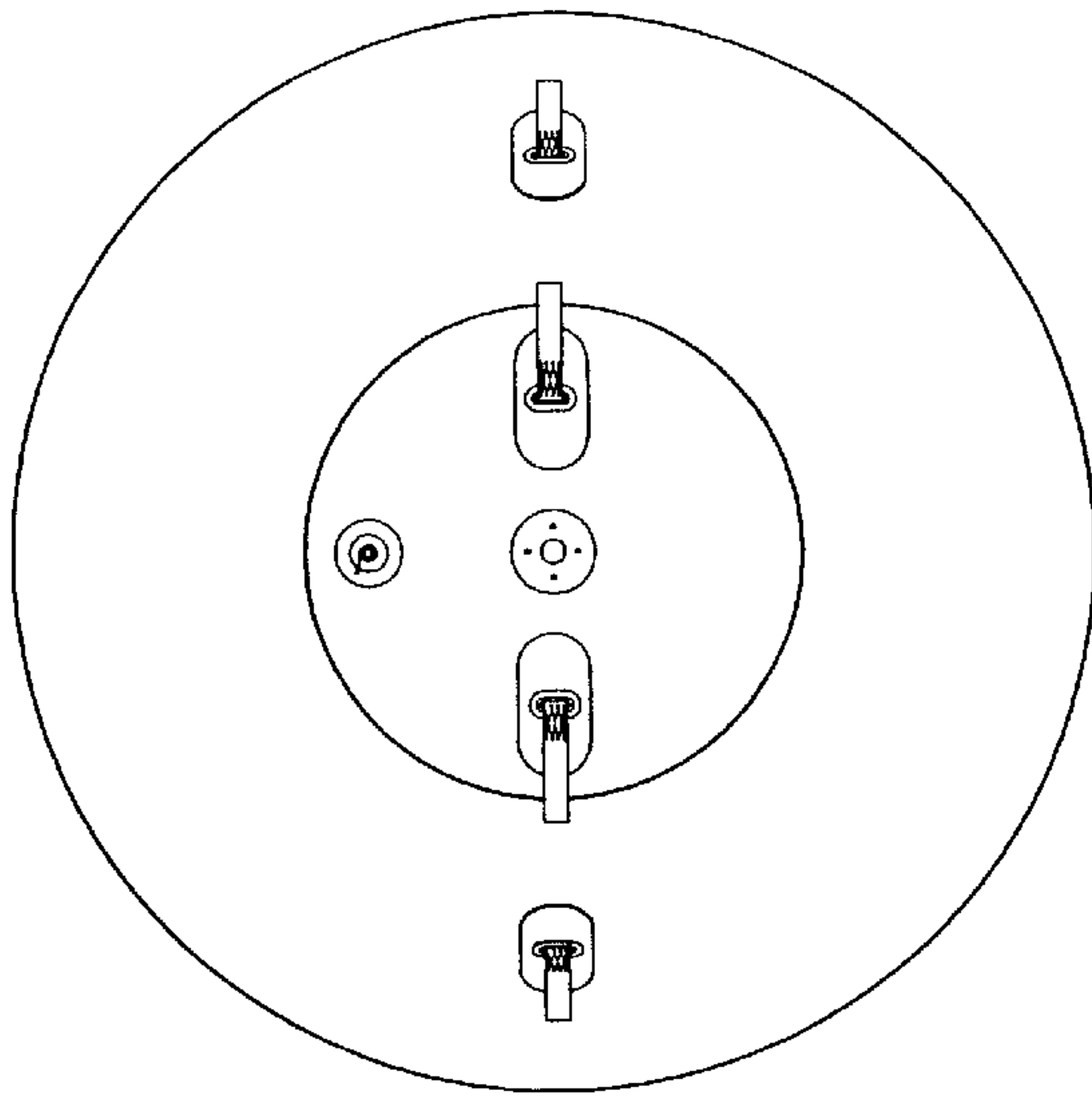


FIG. 7

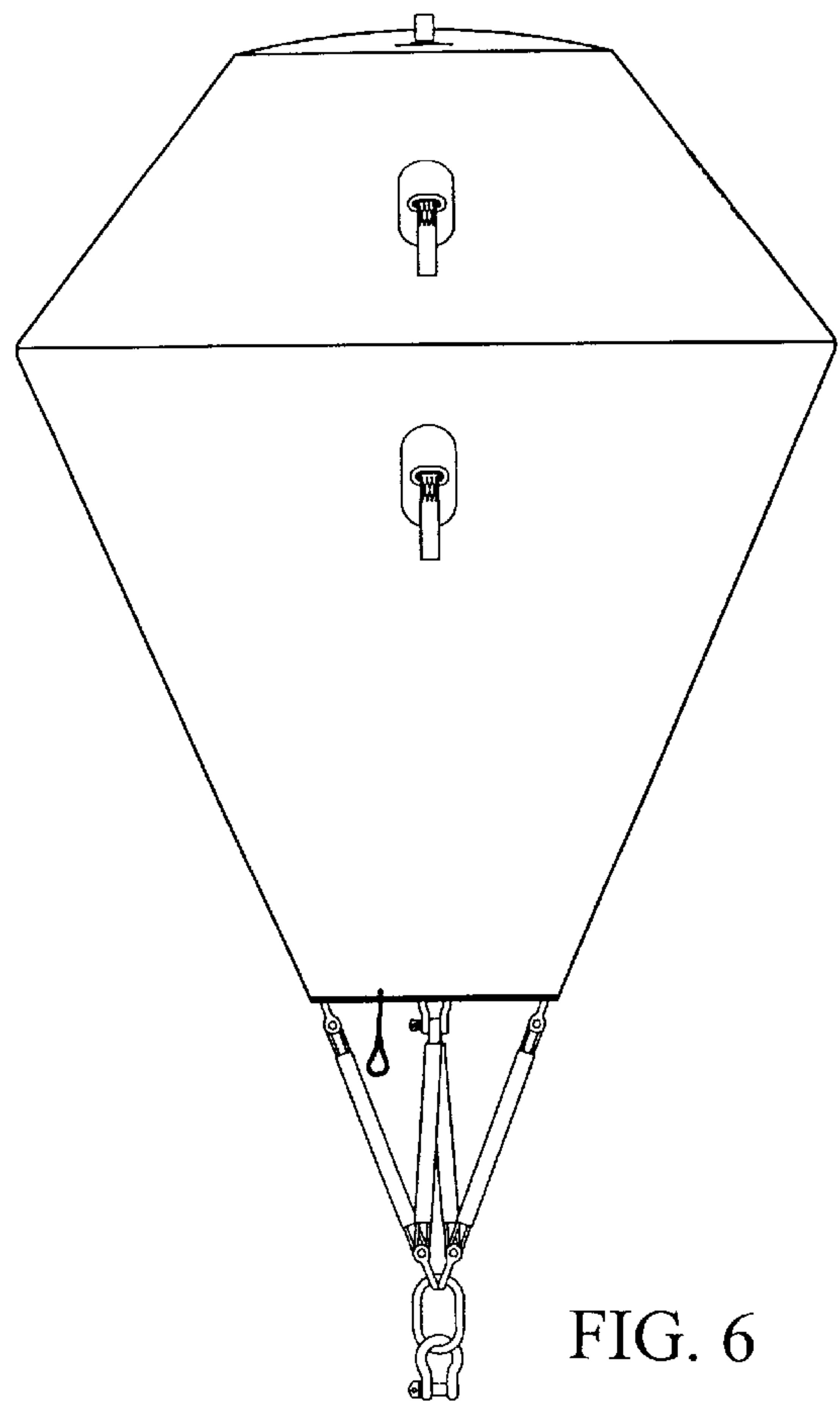


FIG. 6

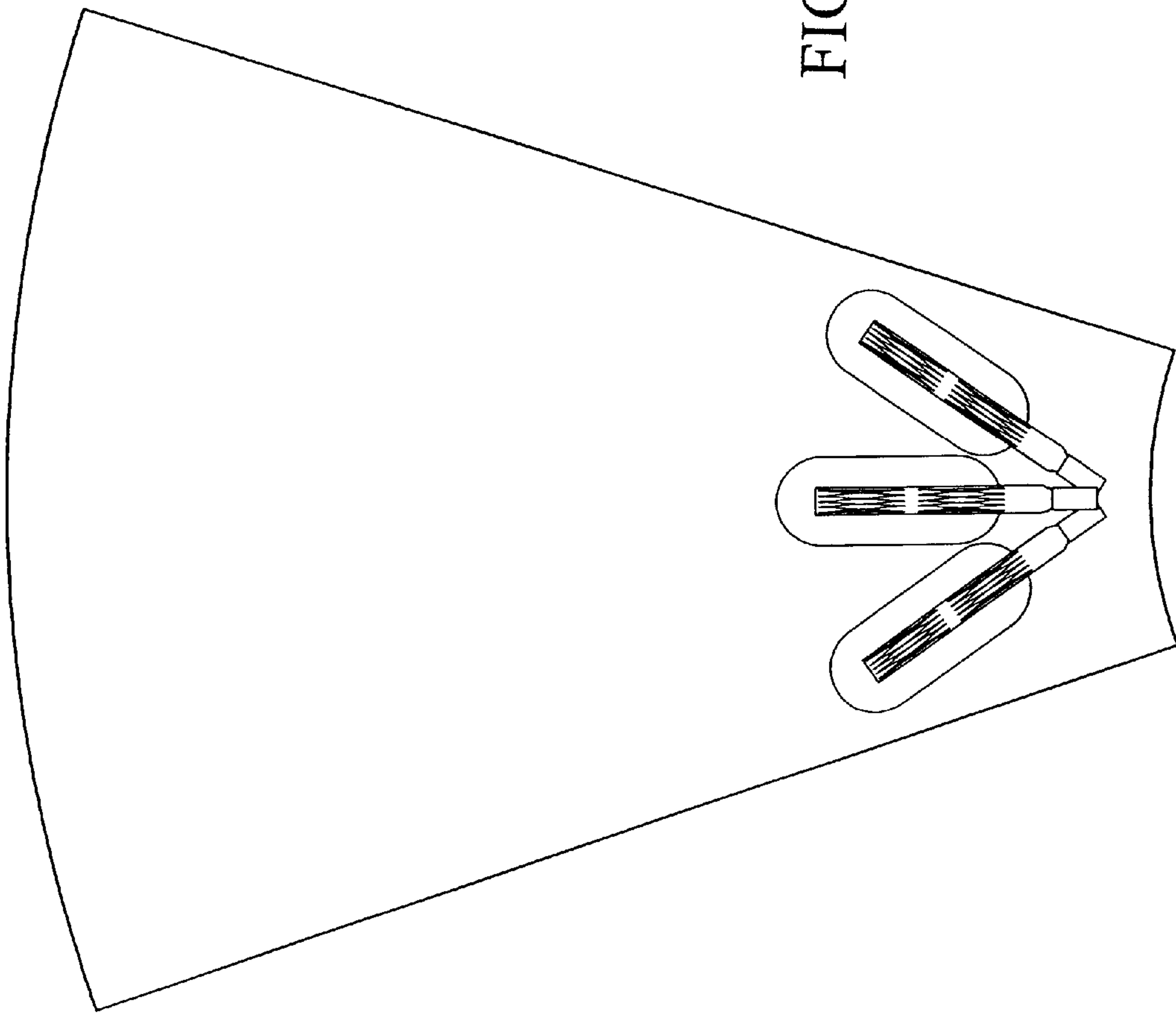


FIG. 8