



US00D473481S

(12) **United States Design Patent** (10) **Patent No.:** **US D473,481 S**  
**So** (45) **Date of Patent:** **\*\* Apr. 22, 2003**

(54) **ANIMAL TRAINING DEVICE**

(76) Inventor: **Ho Yun So**, 8-1006 Kwangiang, Apt.,  
28 Youido-dong, Yongdungpo-gu, Seoul  
150-762 (KR)

(\*\*) Term: **14 Years**

(21) Appl. No.: **29/159,922**

(22) Filed: **Apr. 29, 2002**

(30) **Foreign Application Priority Data**

Jan. 30, 2002 (KR) ..... 02-3000

(51) **LOC (7) Cl.** ..... **10-04**

(52) **U.S. Cl.** ..... **D10/104**

(58) **Field of Search** ..... D10/104, 106;  
119/720, 719, 900; 340/541, 548, 551,  
552, 555, 561, 571-573.3

(56) **References Cited**

**U.S. PATENT DOCUMENTS**

D380,692 S	*	7/1997	Heun	.....	D10/104
5,666,908 A	*	9/1997	So	.....	119/720
D410,206 S	*	5/1999	Slater	.....	D10/104
6,073,589 A	*	6/2000	Curen et al.	.....	119/720

\* cited by examiner

*Primary Examiner*—Antoine Duval Davis  
(74) *Attorney, Agent, or Firm*—Sheridan Ross PC

(57) **CLAIM**

The ornamental design for an animal training device, as shown and described.

**DESCRIPTION**

FIG. 1 is a perspective view of an animal training device, showing my new design;  
 FIG. 2 is a top plan view of the invention shown in FIG. 1;  
 FIG. 3 is a bottom plan view of the invention shown in FIG. 1;  
 FIG. 4 is a right elevational view of the invention shown in FIG. 1;  
 FIG. 5 is a left elevational view of the invention shown in FIG. 1;  
 FIG. 6 is a rear elevation view of the invention shown in FIG. 1;  
 FIG. 7 is a front elevation view of the invention shown in FIG. 1; and,  
 FIG. 8 is a front perspective view of the animal training device shown in FIG. 1, the broken lines representing environment and forming no part of the claimed design.

**1 Claim, 5 Drawing Sheets**

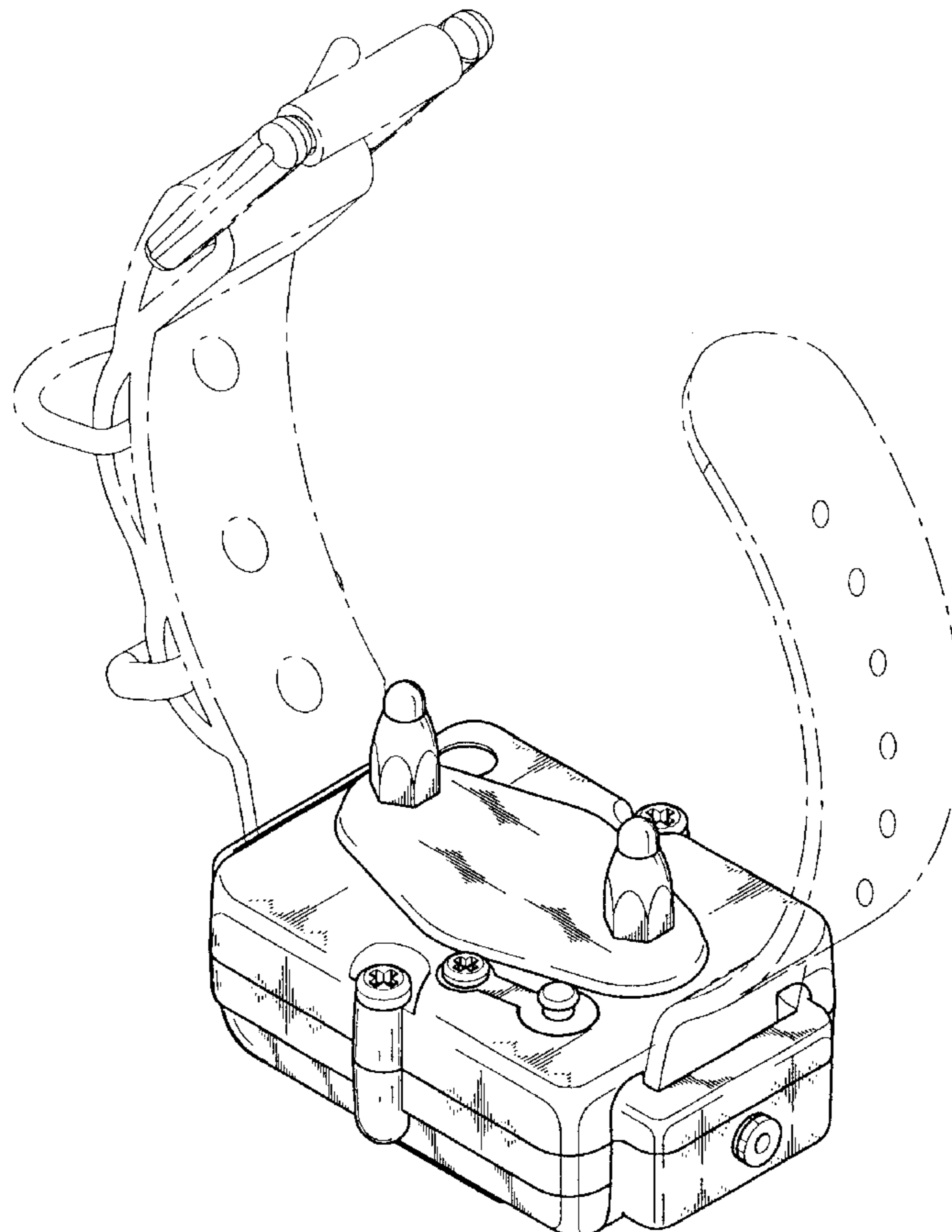


FIG. 1

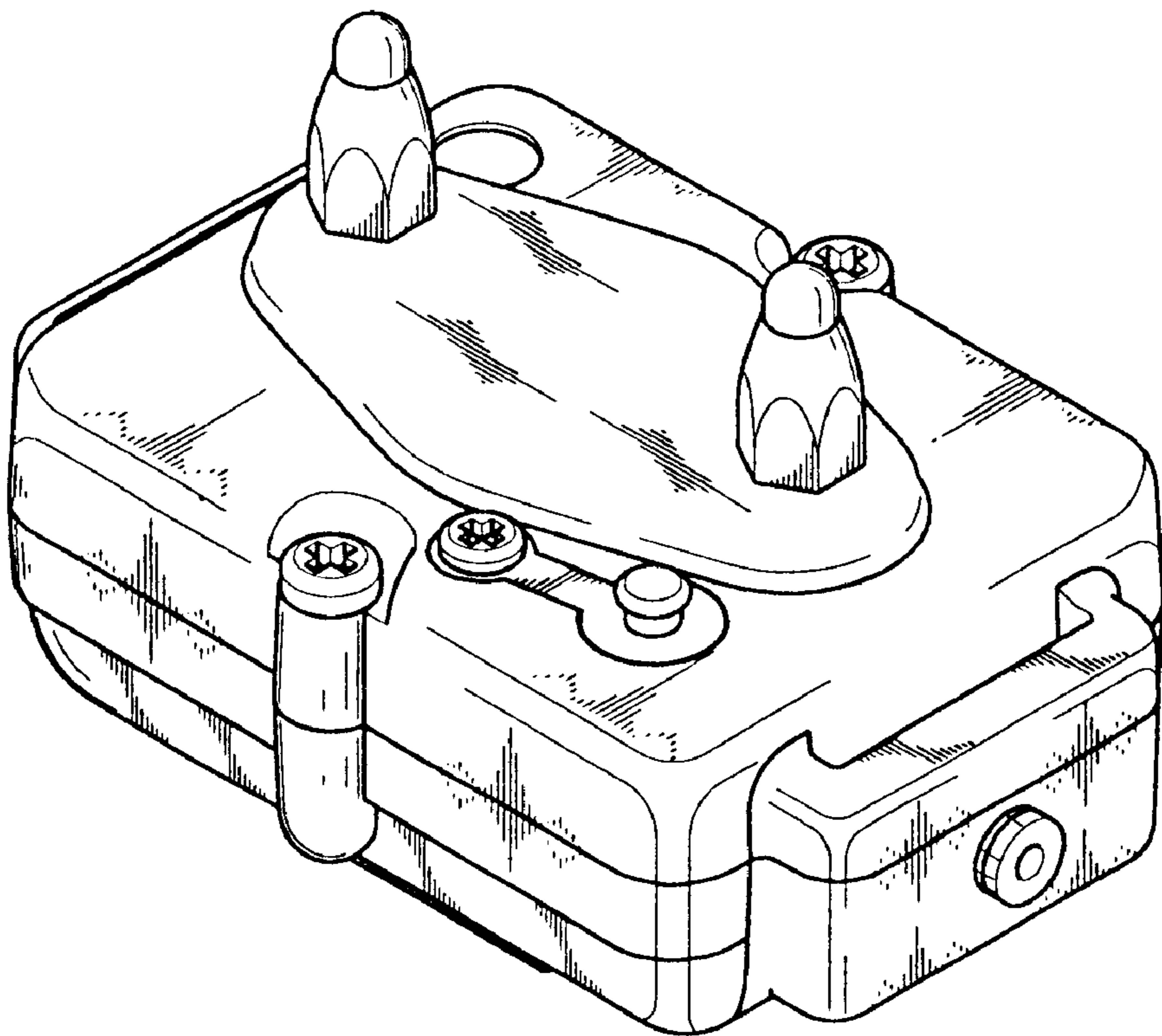


FIG. 2

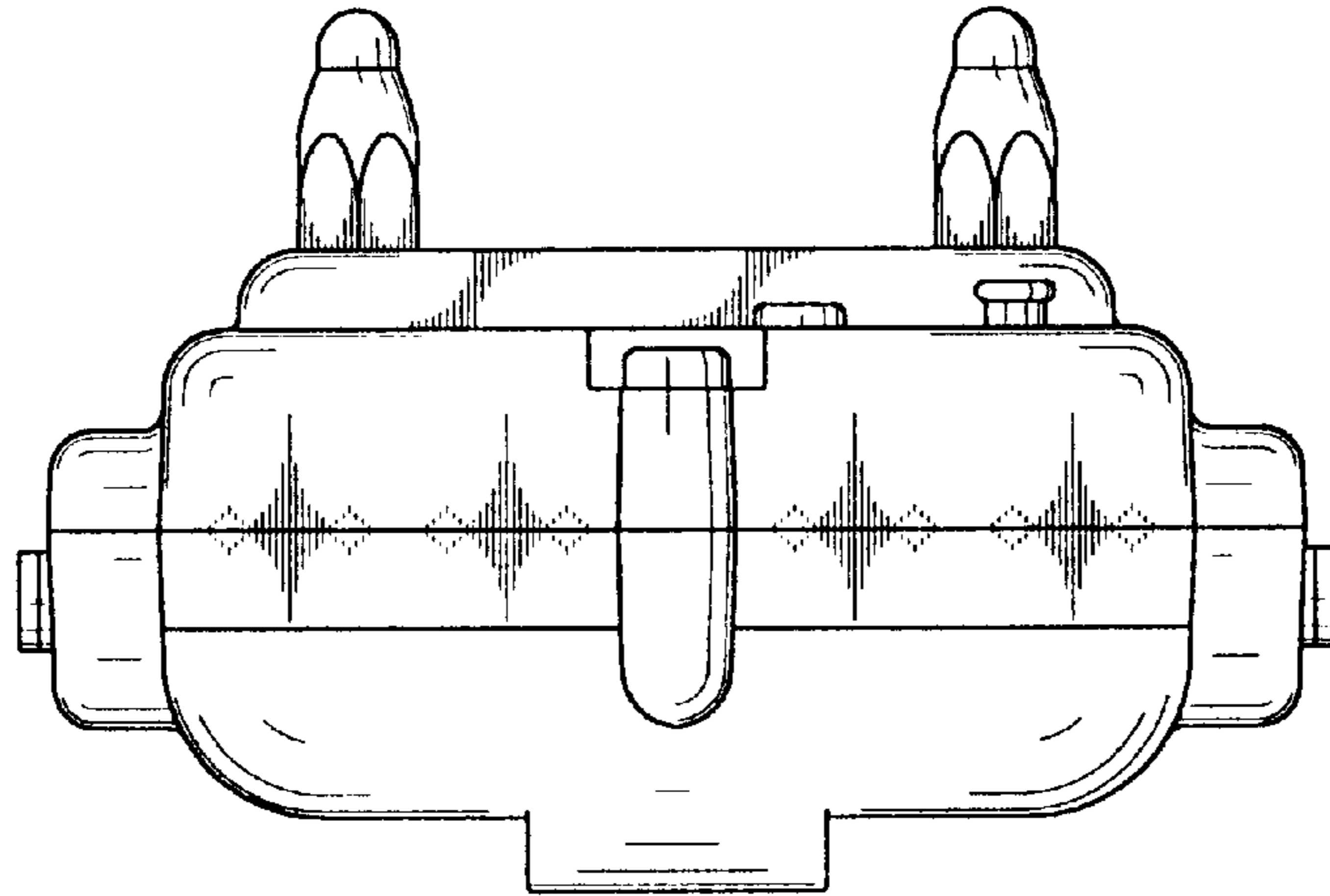


FIG. 3

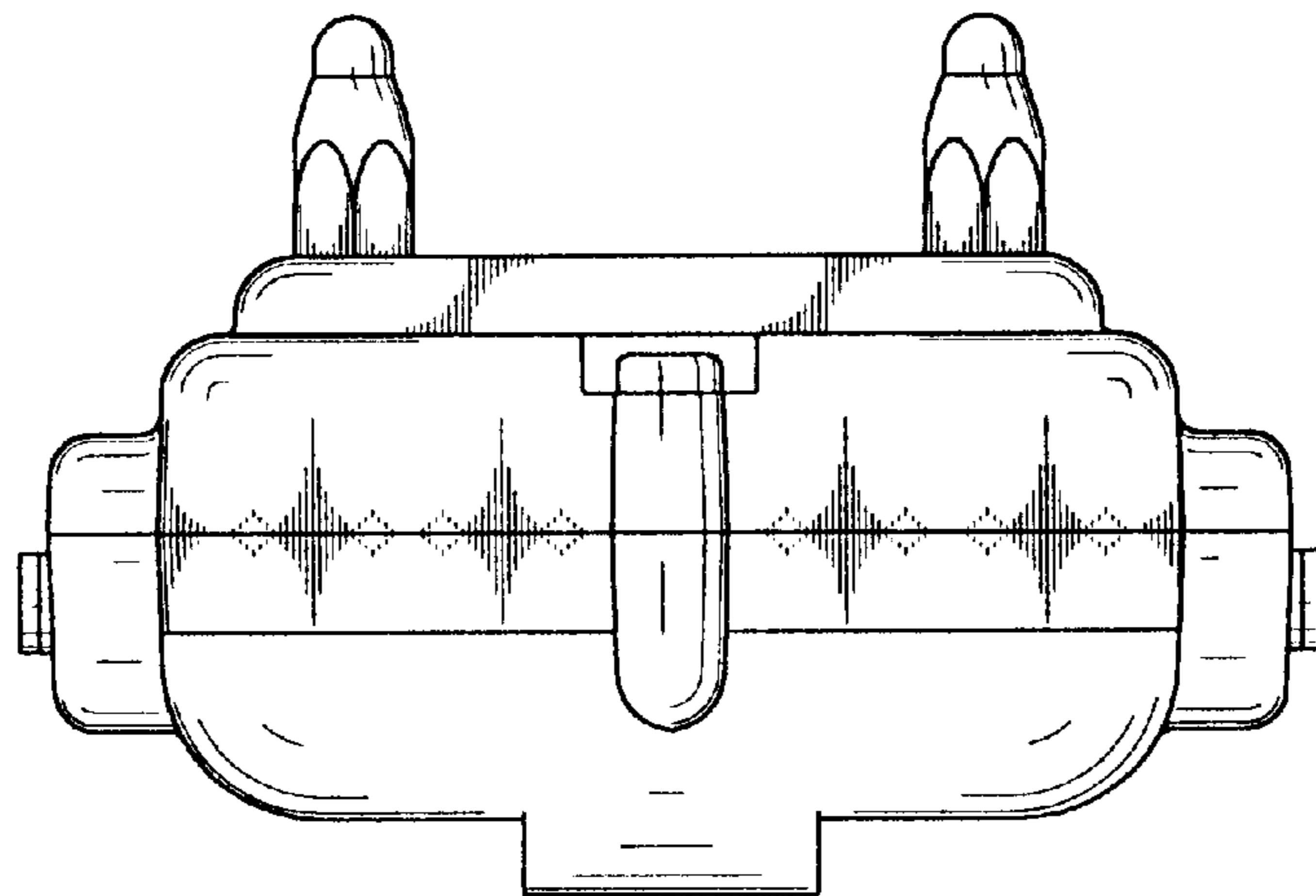


FIG. 4

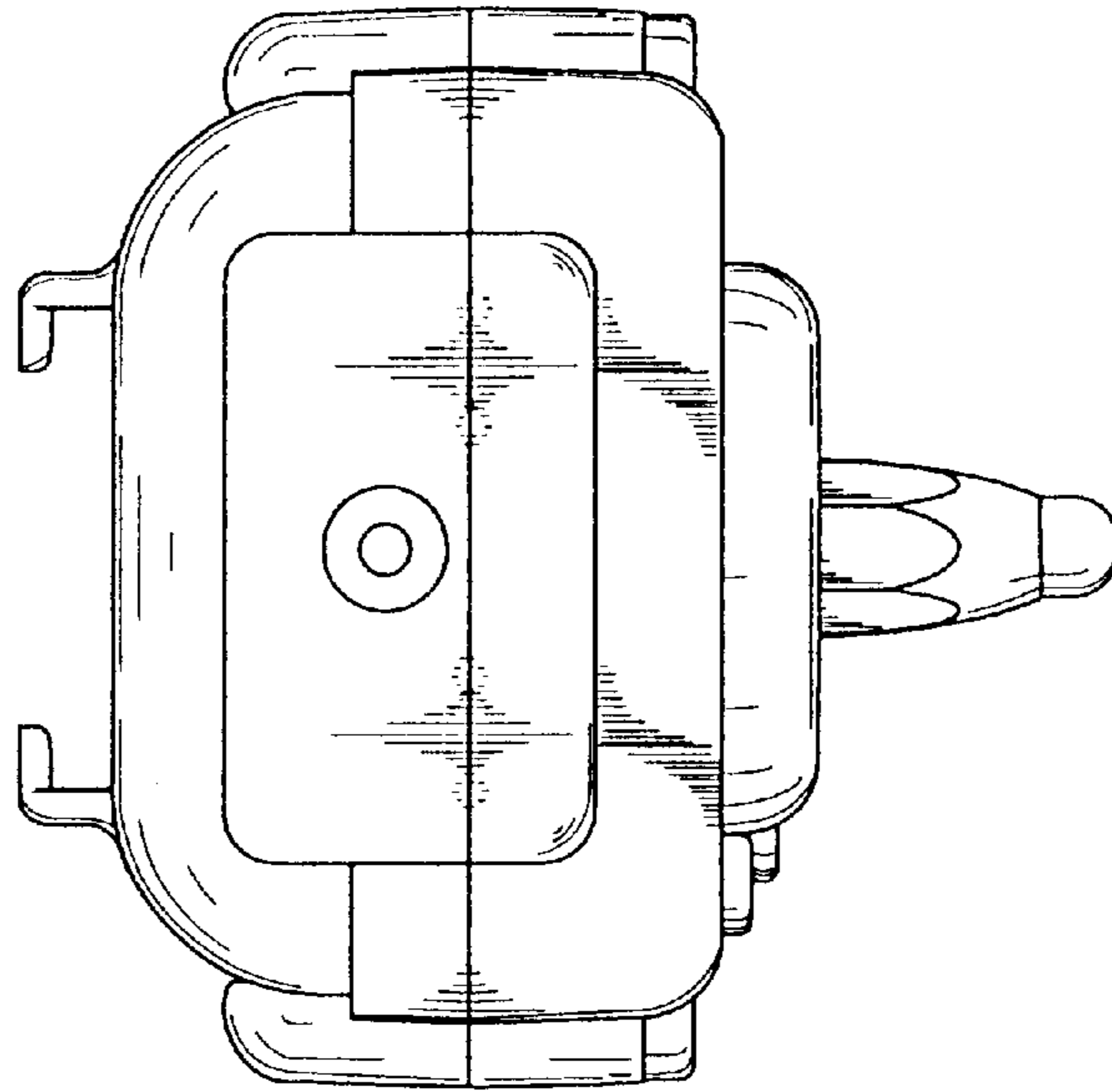


FIG. 5

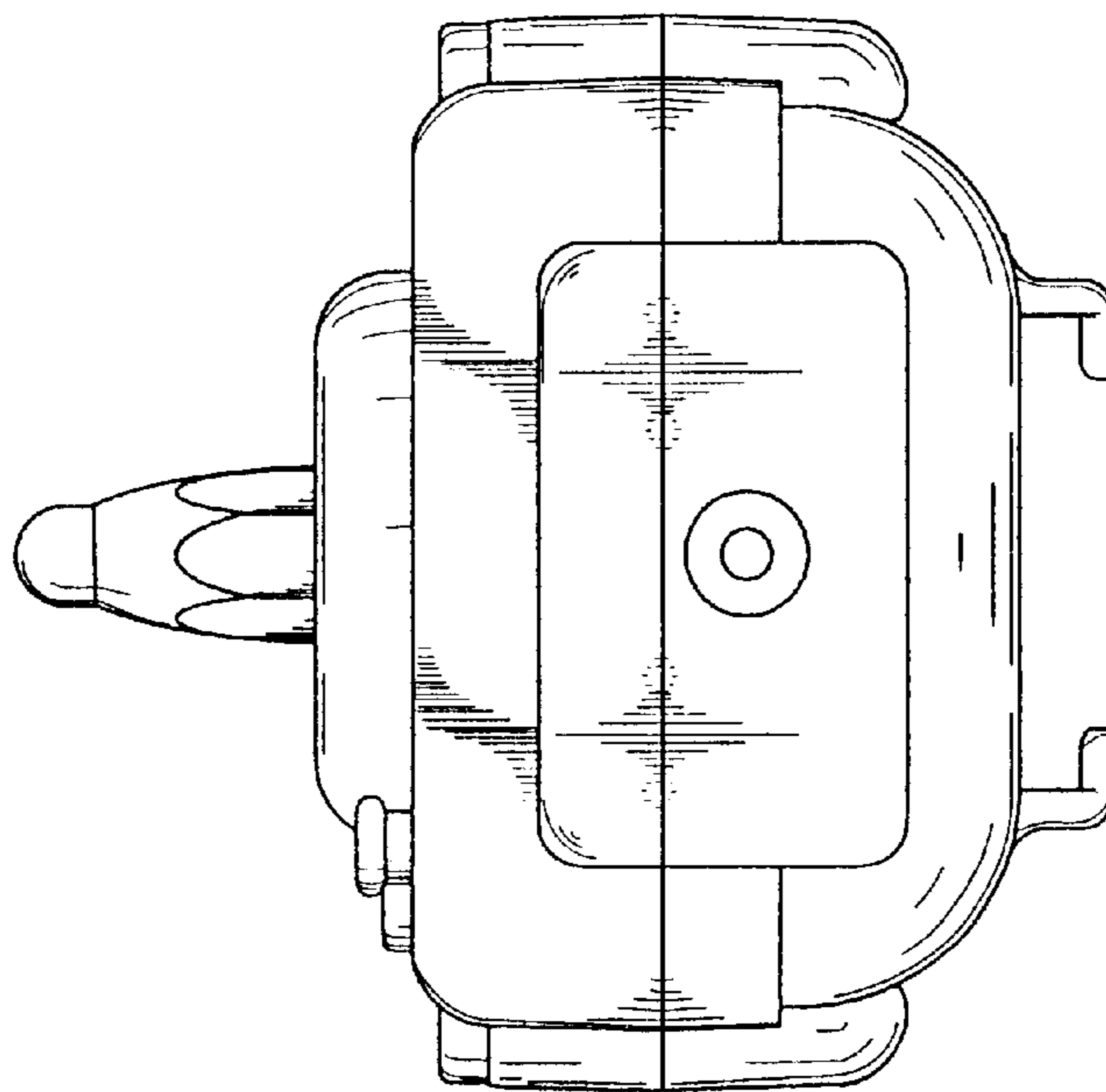


FIG. 6

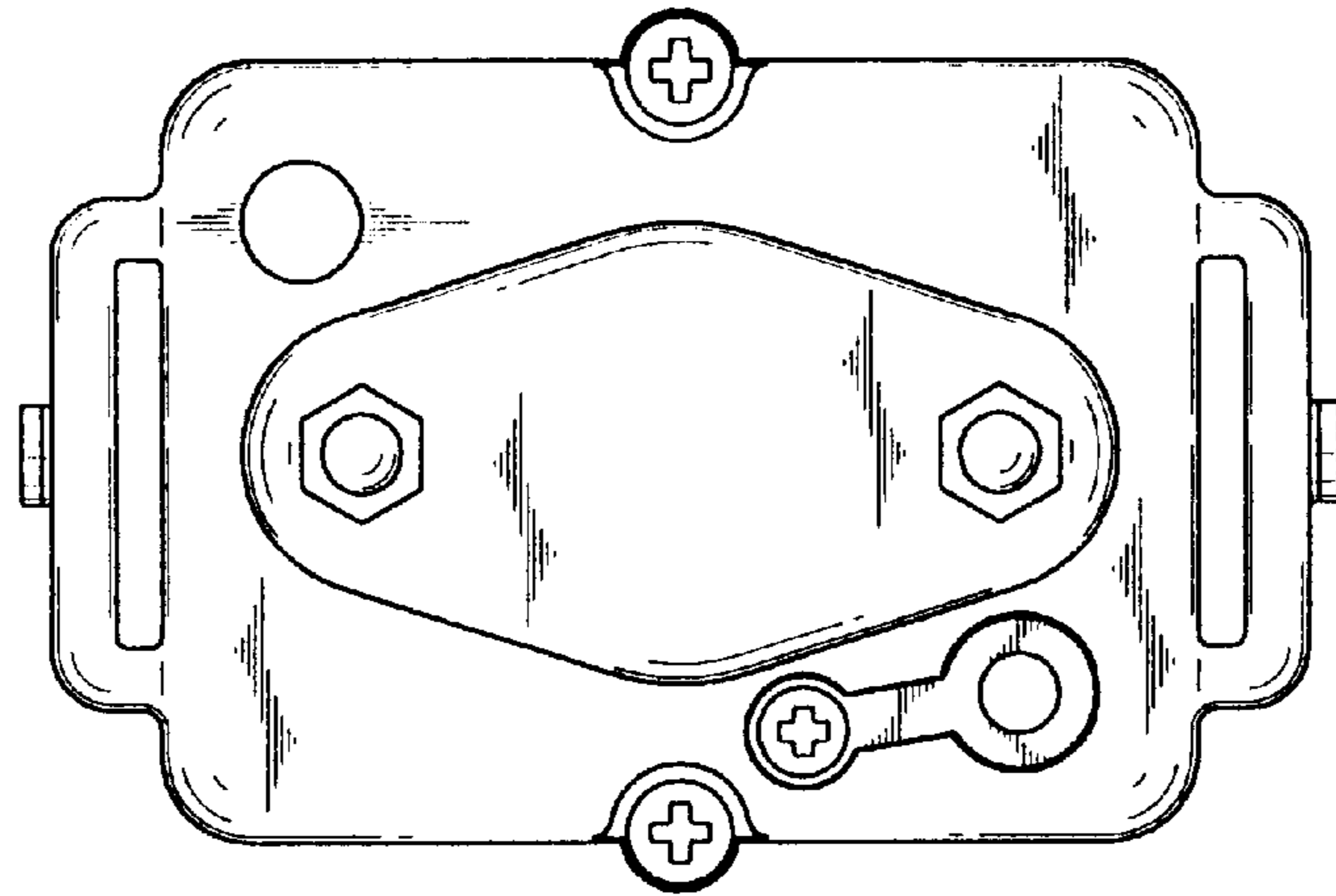


FIG. 7

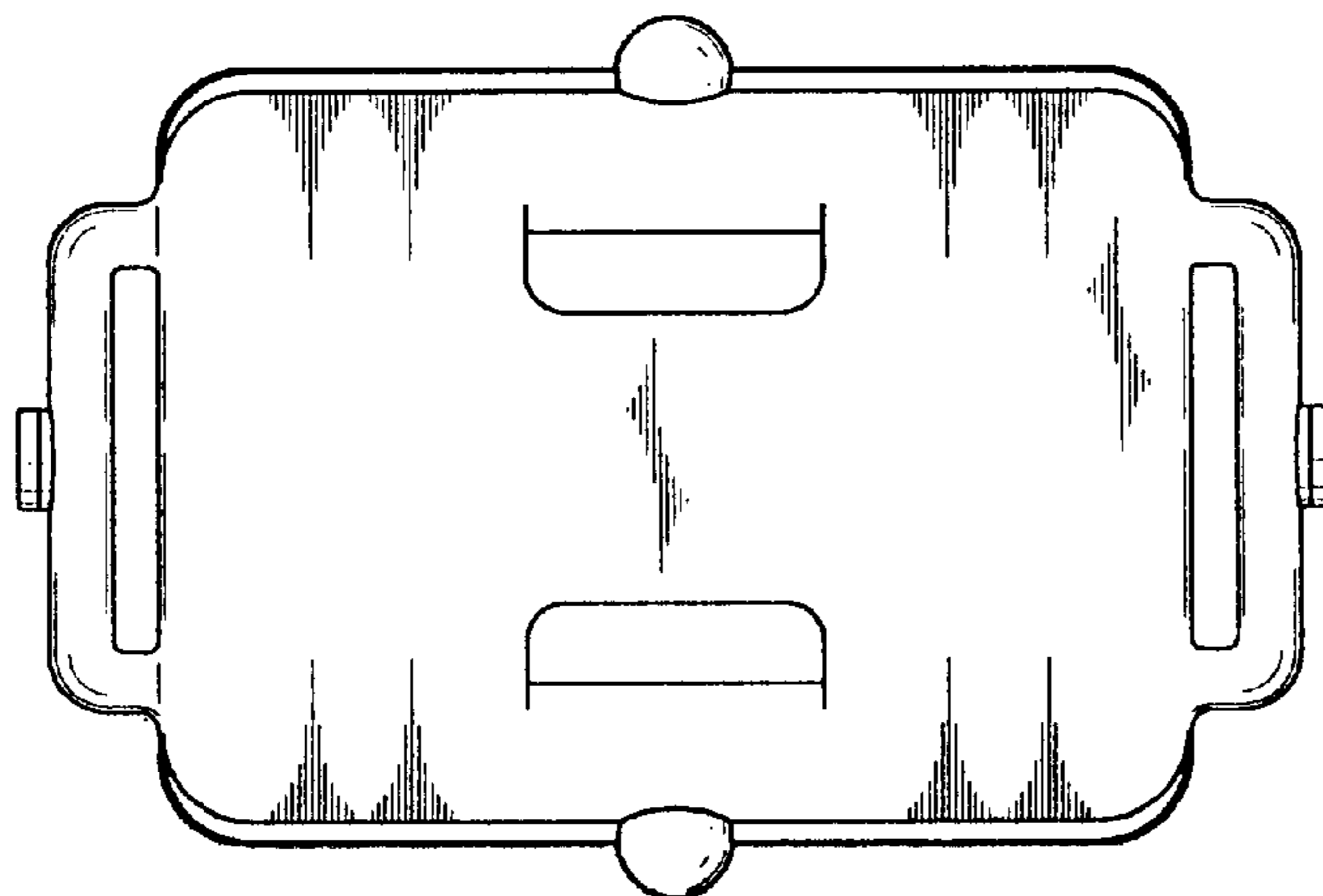


FIG. 8

