



US00D473480S

(12) **United States Design Patent**
Jarvis

(10) **Patent No.:** **US D473,480 S**

(45) **Date of Patent:** **** Apr. 22, 2003**

(54) **CLIP-ON COMPASS**

D421,395 S 3/2000 Paredes
D457,072 S 5/2002 Lai

(75) Inventor: **Steve Jarvis**, Naugatuck, CT (US)

* cited by examiner

(73) Assignee: **Timex Group B.V.** (NL)

Primary Examiner—Antoine Duval Davis

(**) Term: **14 Years**

(74) *Attorney, Agent, or Firm*—Carmody & Torrance LLP

(21) Appl. No.: **29/163,115**

(57) **CLAIM**

(22) Filed: **Jun. 27, 2002**

The ornamental design for a clip-on compass, as shown and described.

(51) **LOC (7) Cl.** **10-04**

DESCRIPTION

(52) **U.S. Cl.** **D10/68; D10/30**

(58) **Field of Search** D10/1-40, 122-132,
D10/68; 33/348, 355 D, 355 R, 361, 365;
368/41-44, 82-84, 28-30, 239-242, 276-277,
280-282, 285

FIG. 1 is a perspective view of a clip-on compass showing my new design;

FIG. 2 is a left side elevational view thereof;

FIG. 3 is a top plan view thereof;

FIG. 4 is a right side elevational view thereof;

FIG. 5 is a first end elevational view thereof;

FIG. 6 is a second end elevational view thereof; and,

FIG. 7 is a bottom plan view.

The broken-line showings are environmental only and form no part of the claimed design.

(56) **References Cited**

U.S. PATENT DOCUMENTS

D220,209 S * 3/1971 Brigham D10/68
D243,072 S * 1/1977 Spinosa et al. D10/68
D288,668 S * 3/1987 Flury D10/68
D379,314 S 5/1997 Houlihan

1 Claim, 3 Drawing Sheets

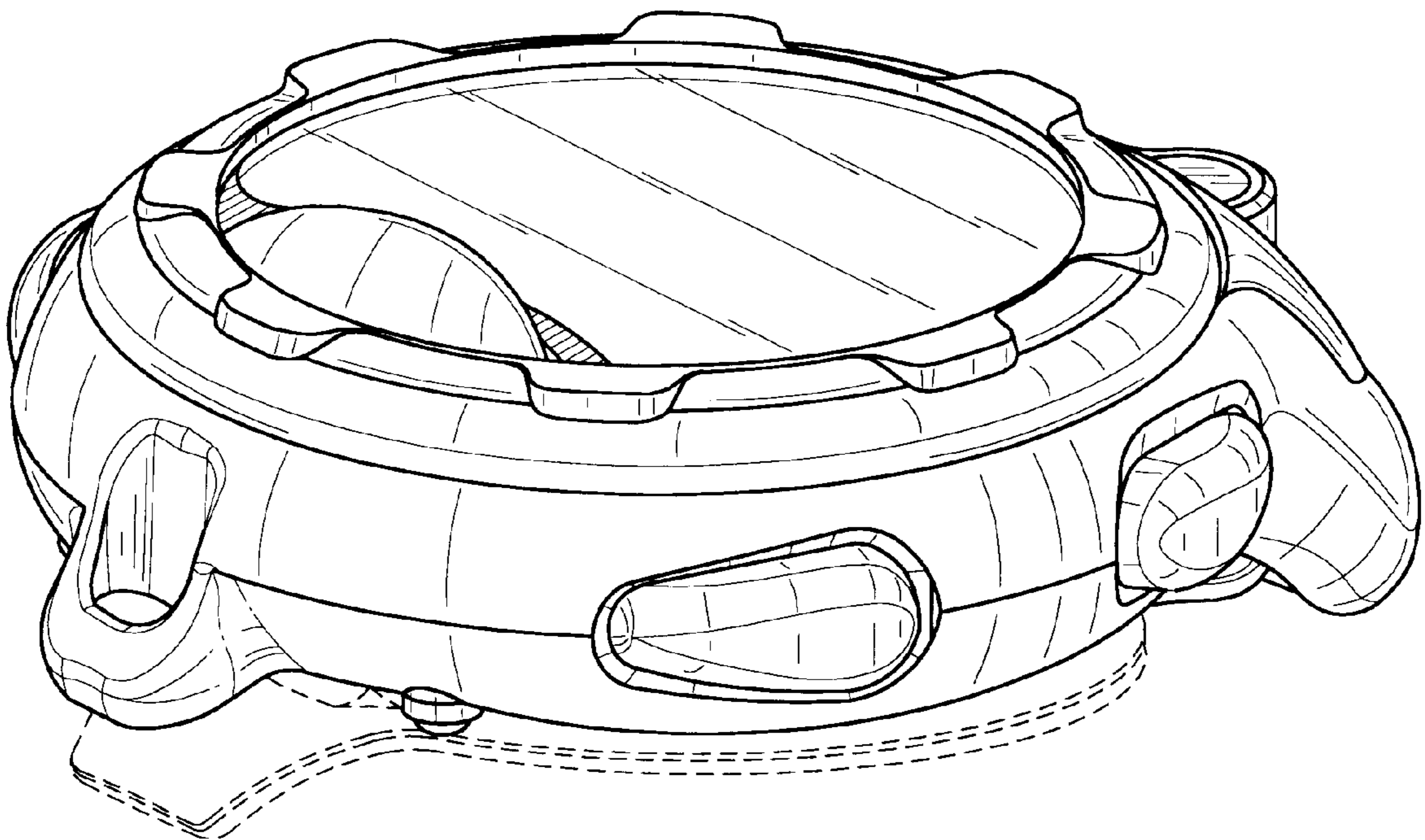


FIG.1

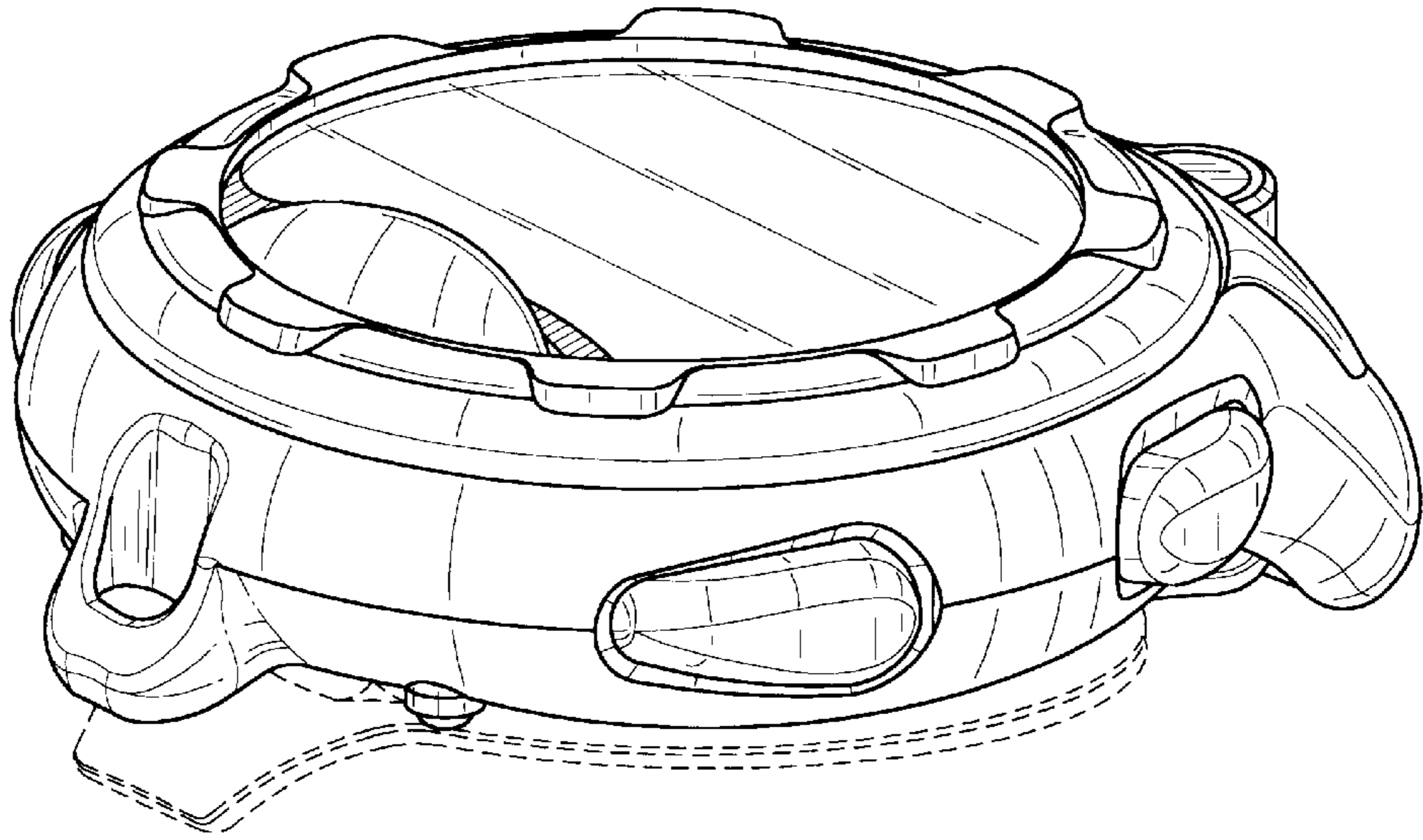


FIG.7

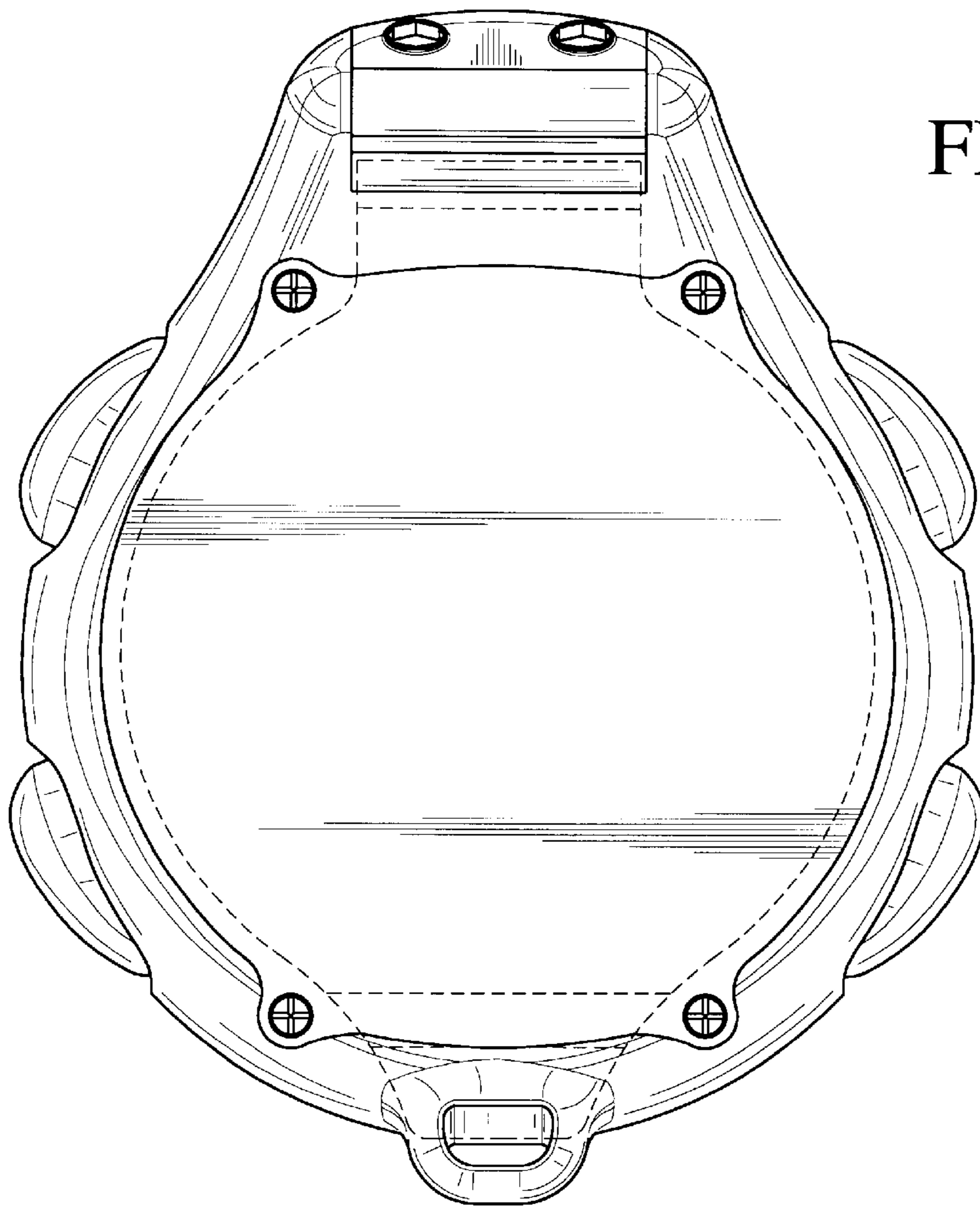


FIG.3

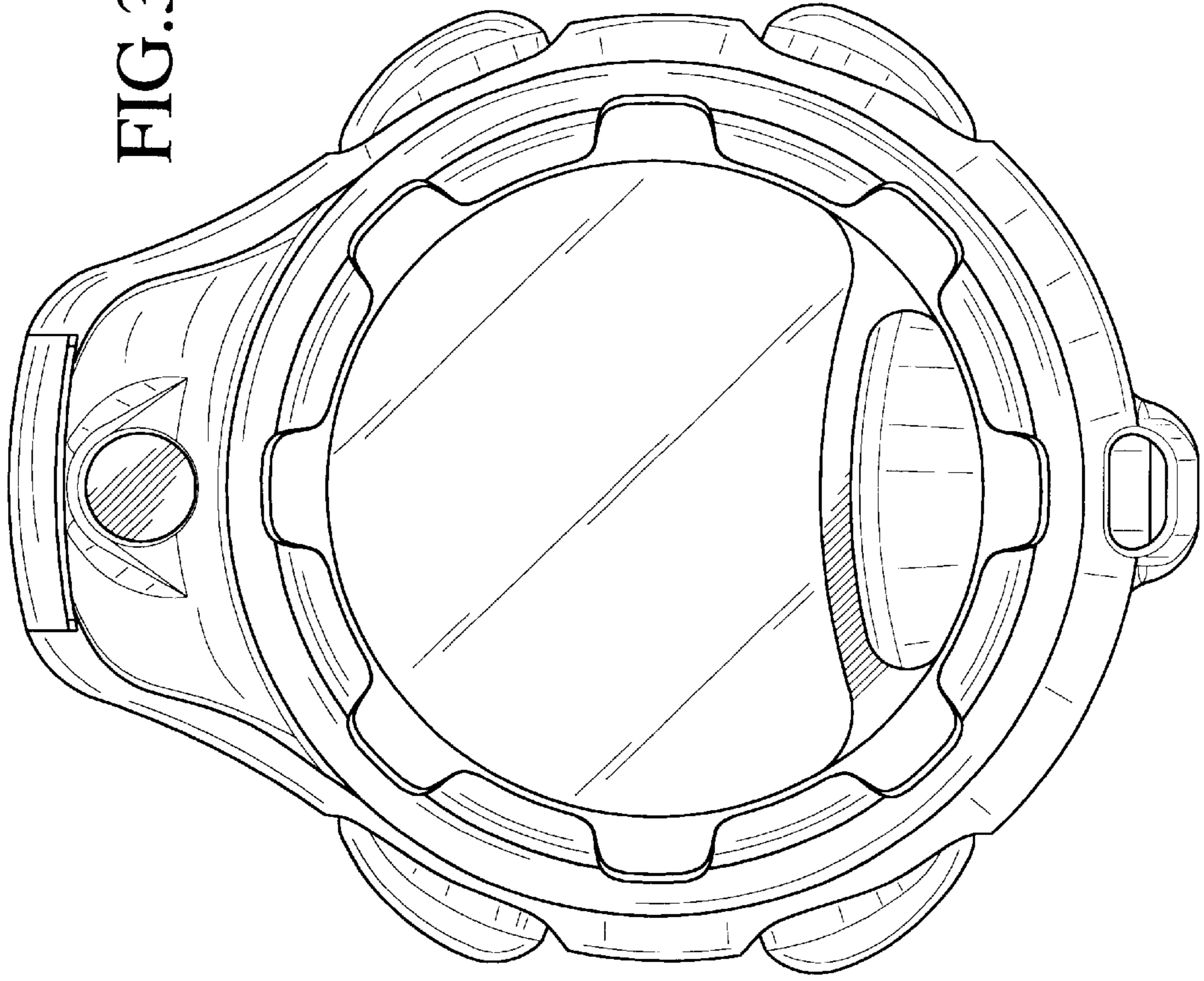
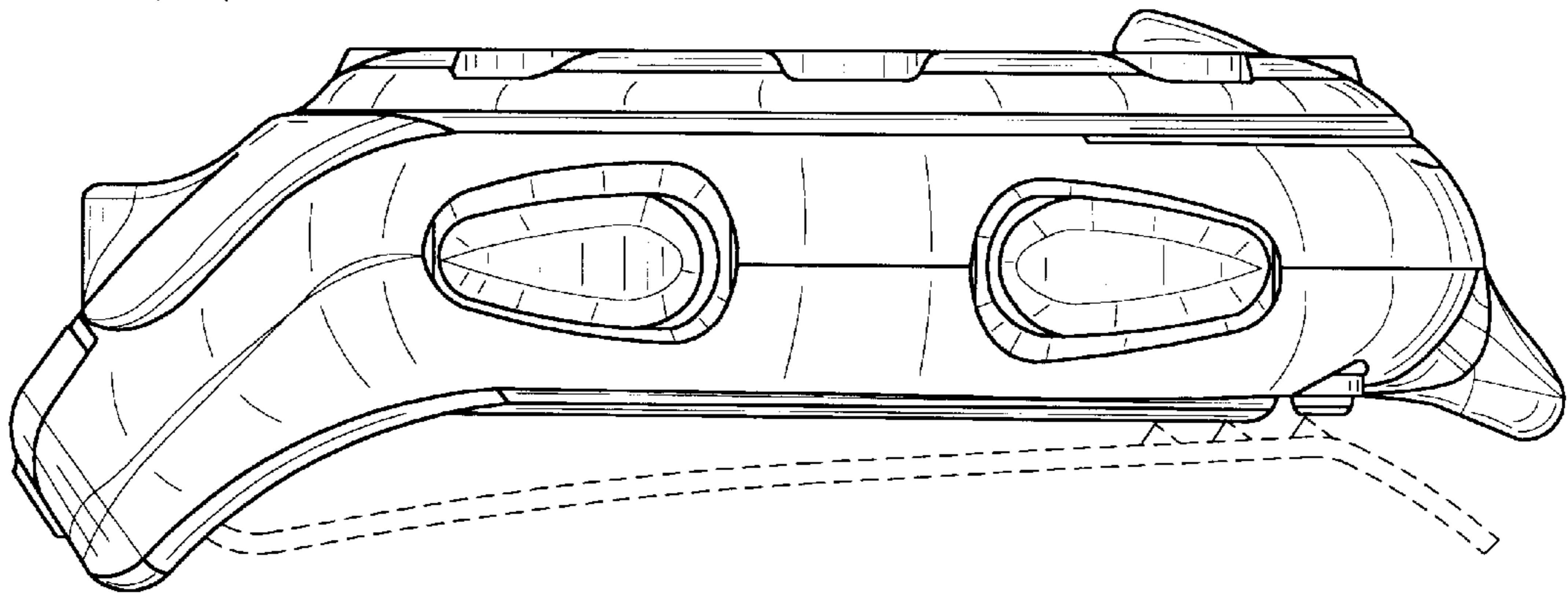


FIG.2



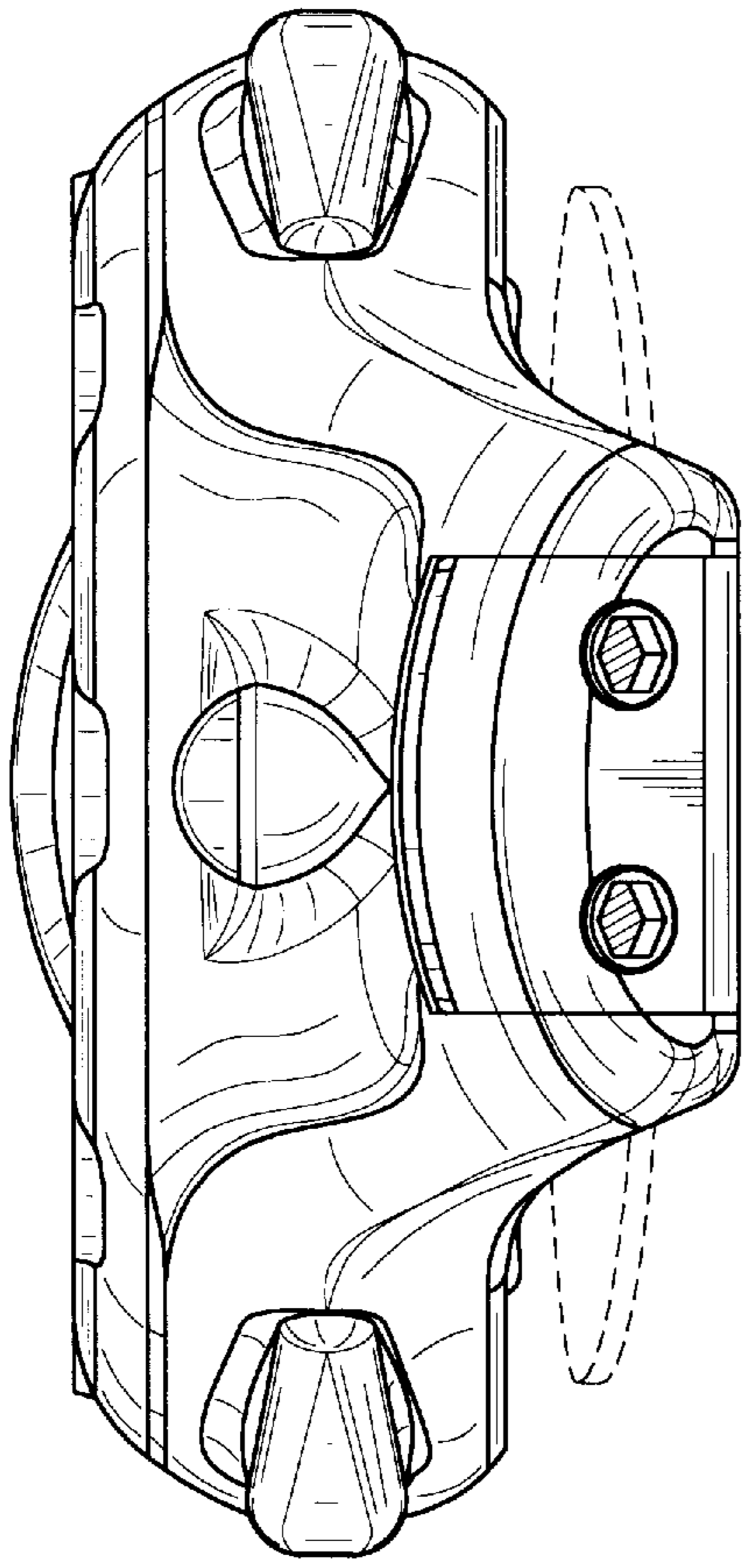


FIG.5

FIG.6

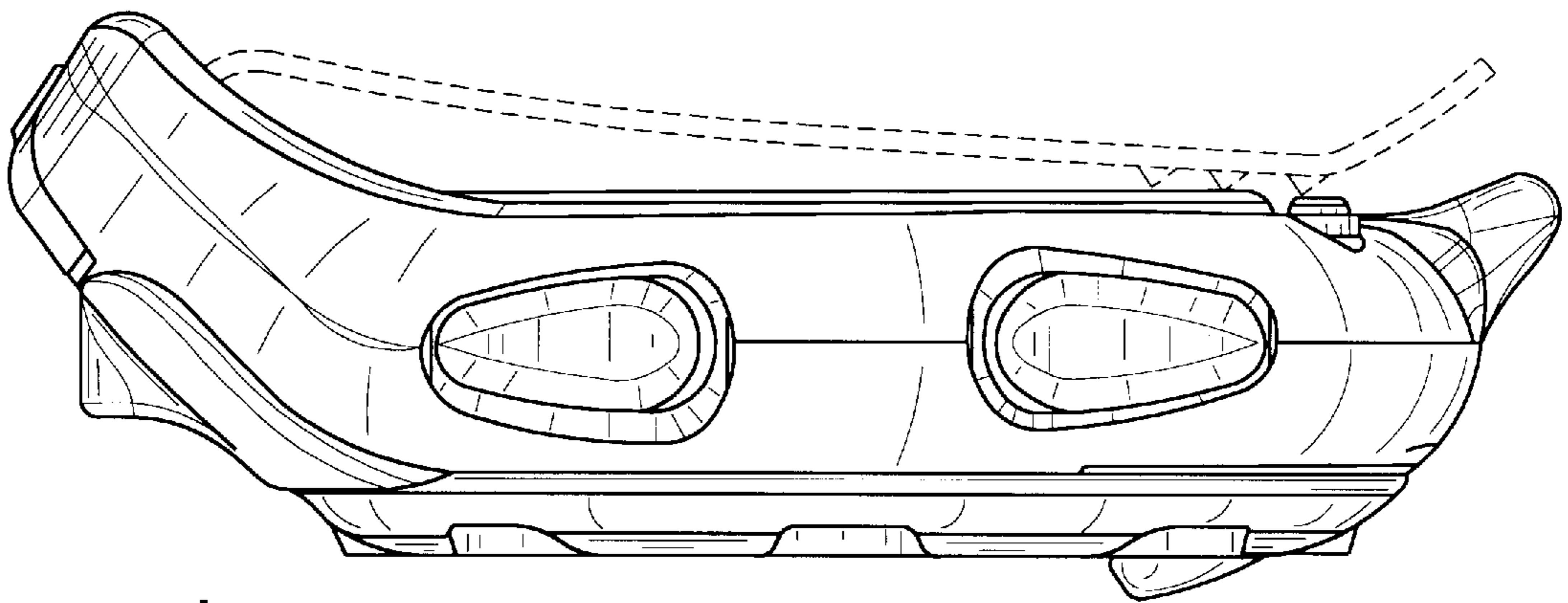
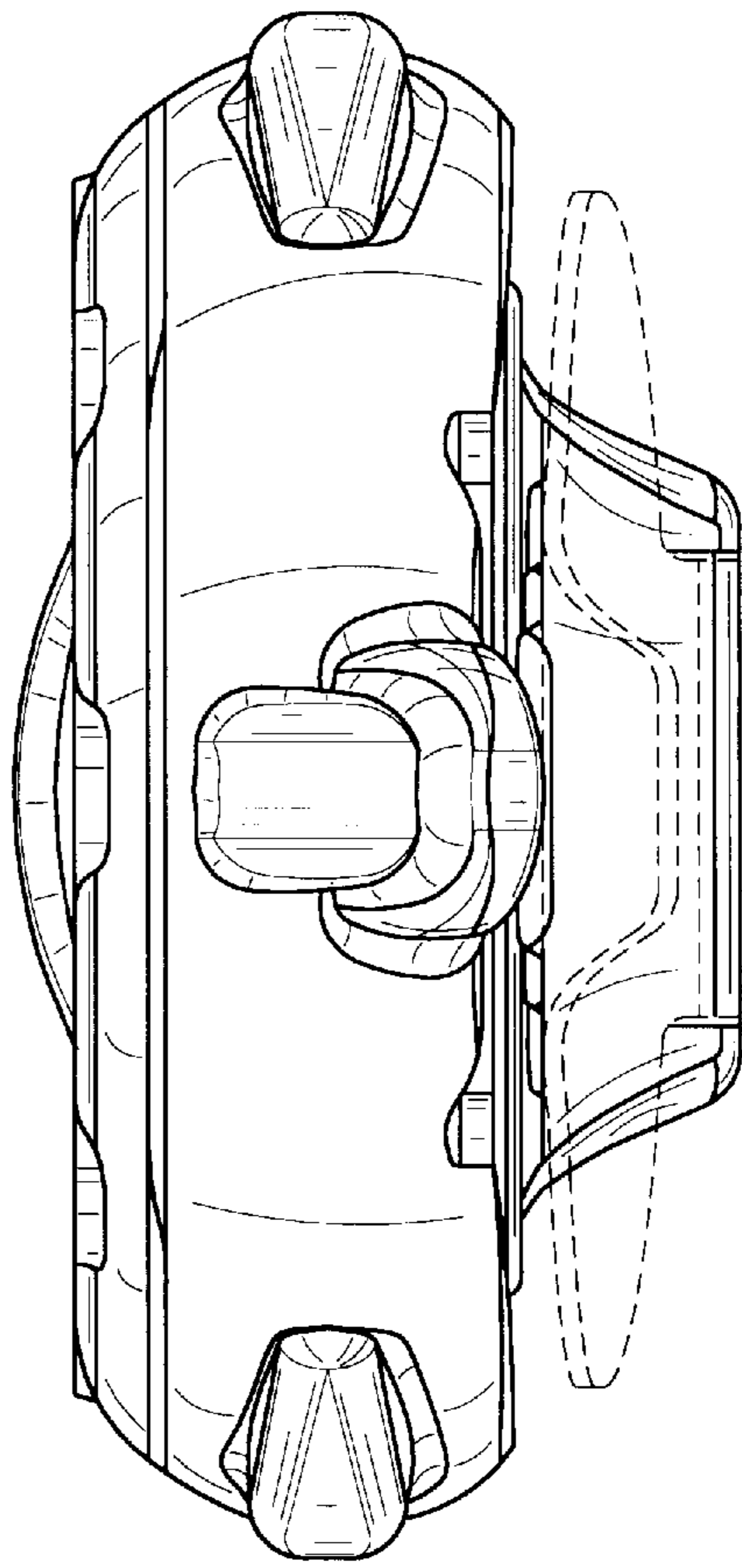


FIG.4