



US00D473470S

(12) **United States Design Patent**
Nussbaum

(10) **Patent No.:** **US D473,470 S**

(45) **Date of Patent:** **** Apr. 22, 2003**

(54) **WATCH CASE**

D463,986 S * 10/2002 de Coupigny D10/30
D464,273 S * 10/2002 Nussbaum D10/30

(75) Inventor: **Augustin Nussbaum**, Neuchâtel (CH)

* cited by examiner

(73) Assignee: **Swatch AG (Swatch SA) (Swatch Ltd)**, Bienne (CH)

Primary Examiner—Nelson C. Holtje
(74) *Attorney, Agent, or Firm*—Collen IP; Robert McDermott

(**) Term: **14 Years**

(21) Appl. No.: **29/163,666**

(57) **CLAIM**

(22) Filed: **Jul. 10, 2002**

The ornamental design for a watch case, as shown and described.

(30) **Foreign Application Priority Data**

DESCRIPTION

Jan. 16, 2002 (XH) DM/058 583

(51) **LOC (7) Cl.** **10-02**

(52) **U.S. Cl.** **D10/30**

(58) **Field of Search** D10/1-40, 122-132;
368/280-282, 276-277, 285

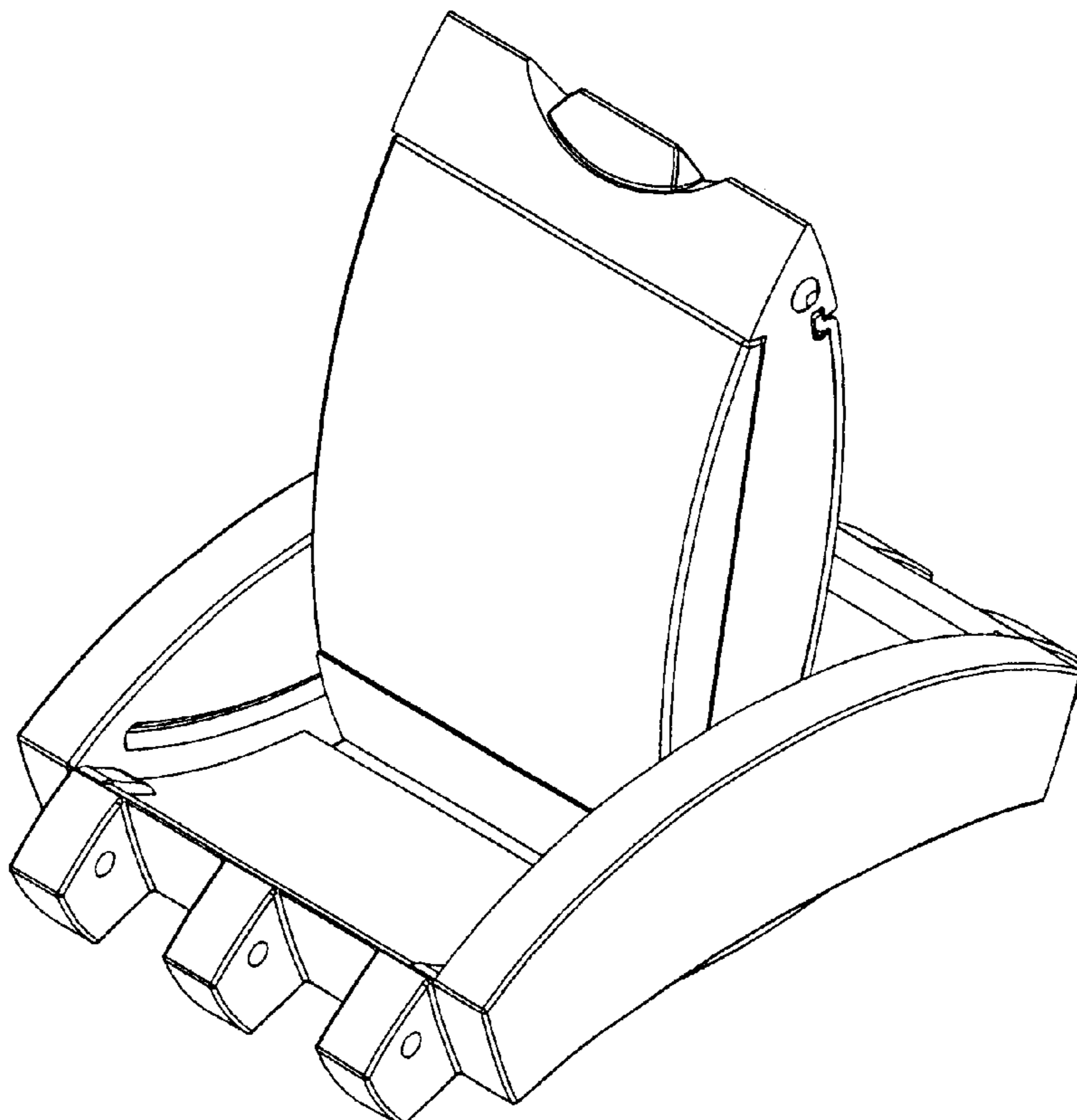
FIG. 1 is a front view of my new and ornamental design for a watch case;
FIG. 2 is a back view thereof;
FIG. 3 is a top view;
FIG. 4 is a bottom view;
FIG. 5 is a right side view;
FIG. 6 is a left side view;
FIG. 7 is a bottom perspective view thereof;
FIG. 8 is a top perspective view thereof;
FIG. 9 is a perspective view with watch body being slipped into the support so as to reach second face; and,
FIG. 10 is a perspective view of the 2 parts: support and watch body.

(56) **References Cited**

U.S. PATENT DOCUMENTS

- 2,188,471 A * 1/1940 Brindler 368/282 X
- 4,236,239 A * 11/1980 Imgruth et al. 368/72
- 5,363,351 A * 11/1994 Carney 368/282
- D386,094 S * 11/1997 Ventrella D10/30
- D423,375 S * 4/2000 Dumas D10/33
- D432,434 S * 10/2000 Hysek D10/30
- D445,697 S * 7/2001 Hysek D10/30

1 Claim, 10 Drawing Sheets



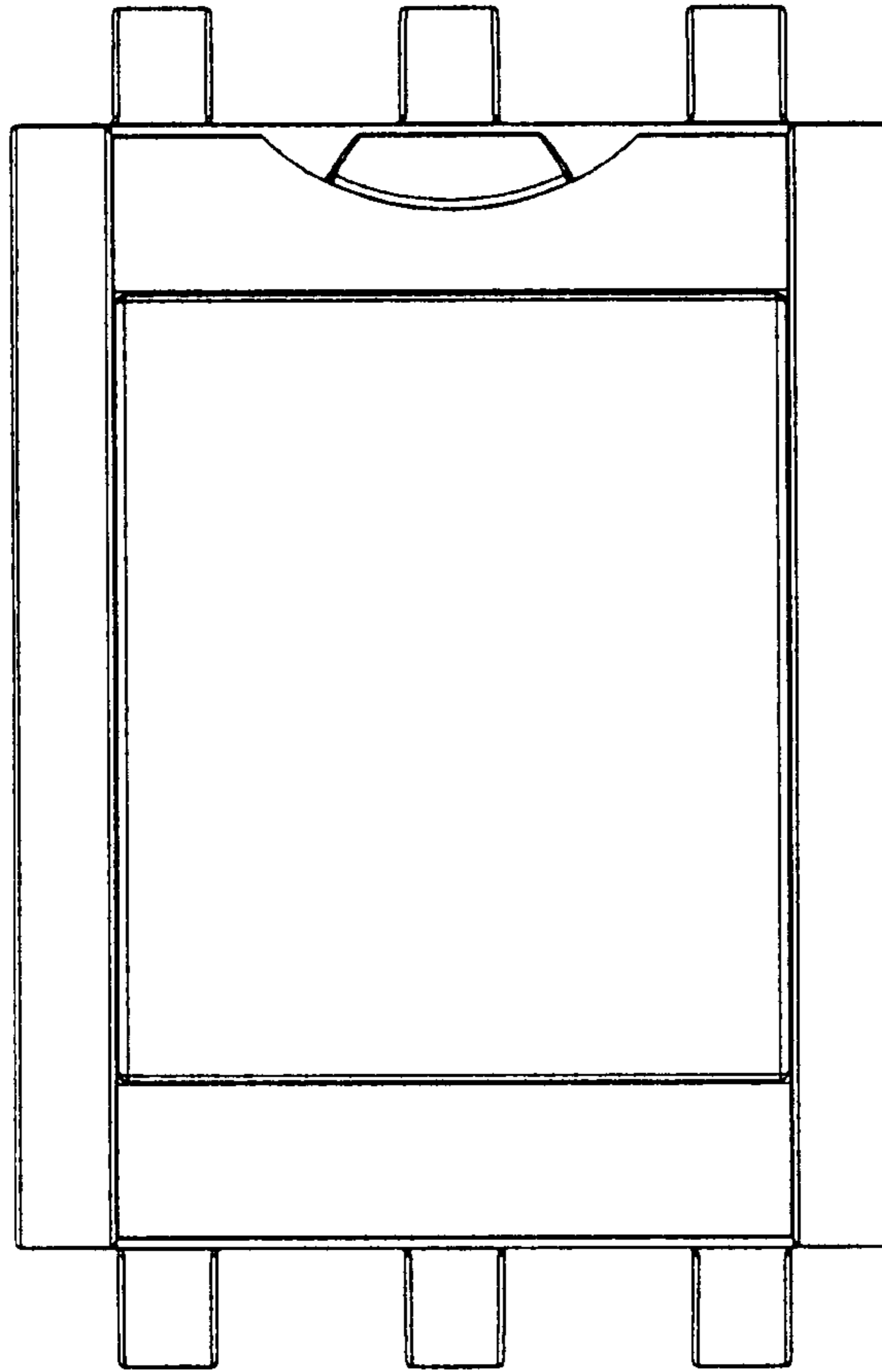


Figure 1

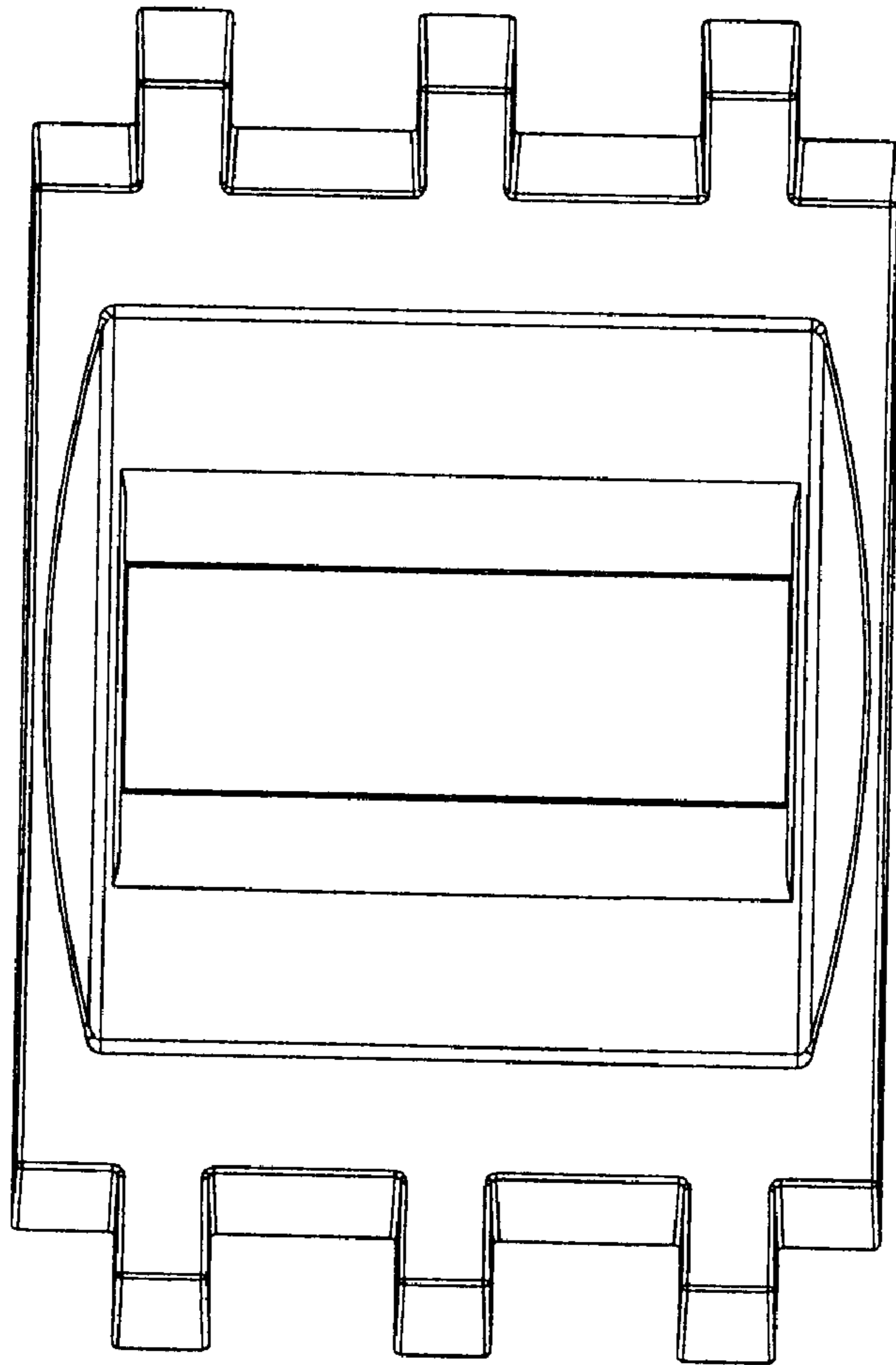


Figure 2

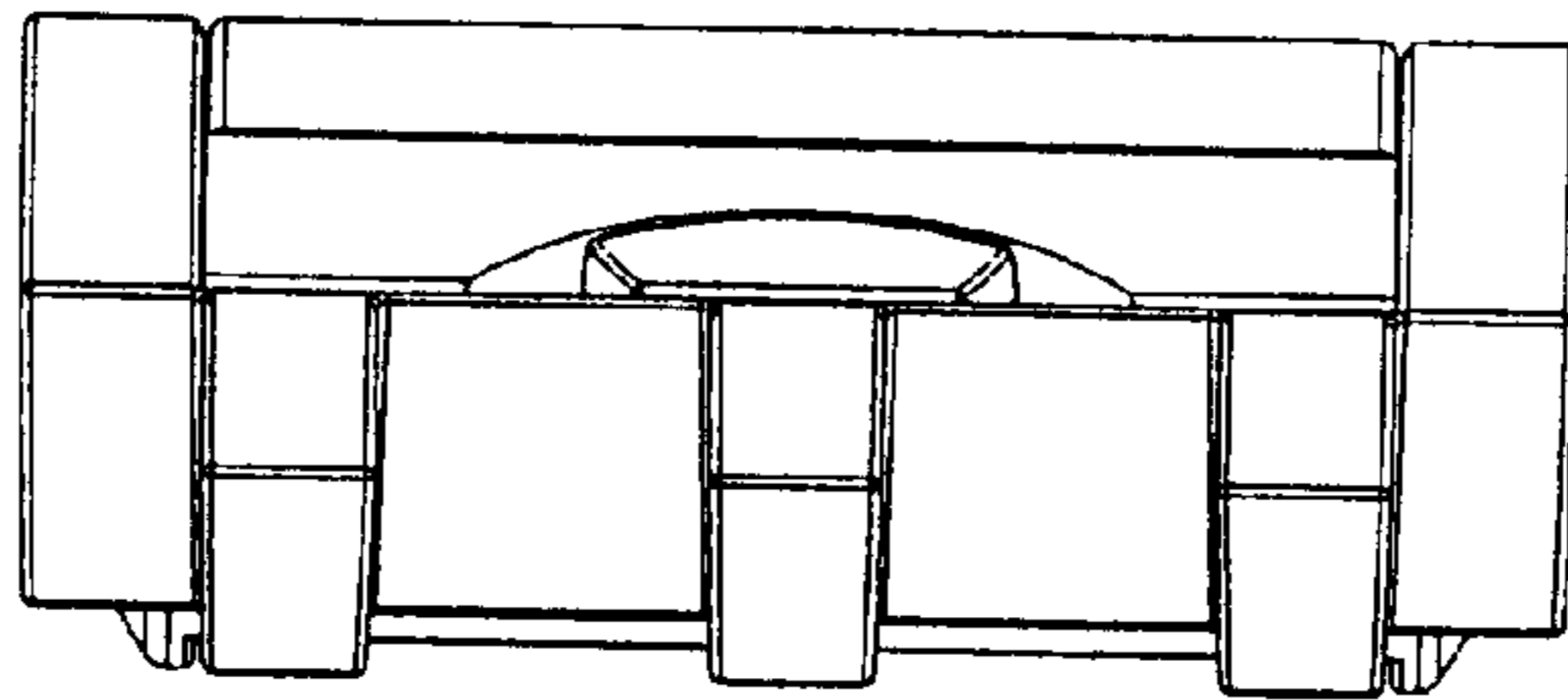


Figure 3

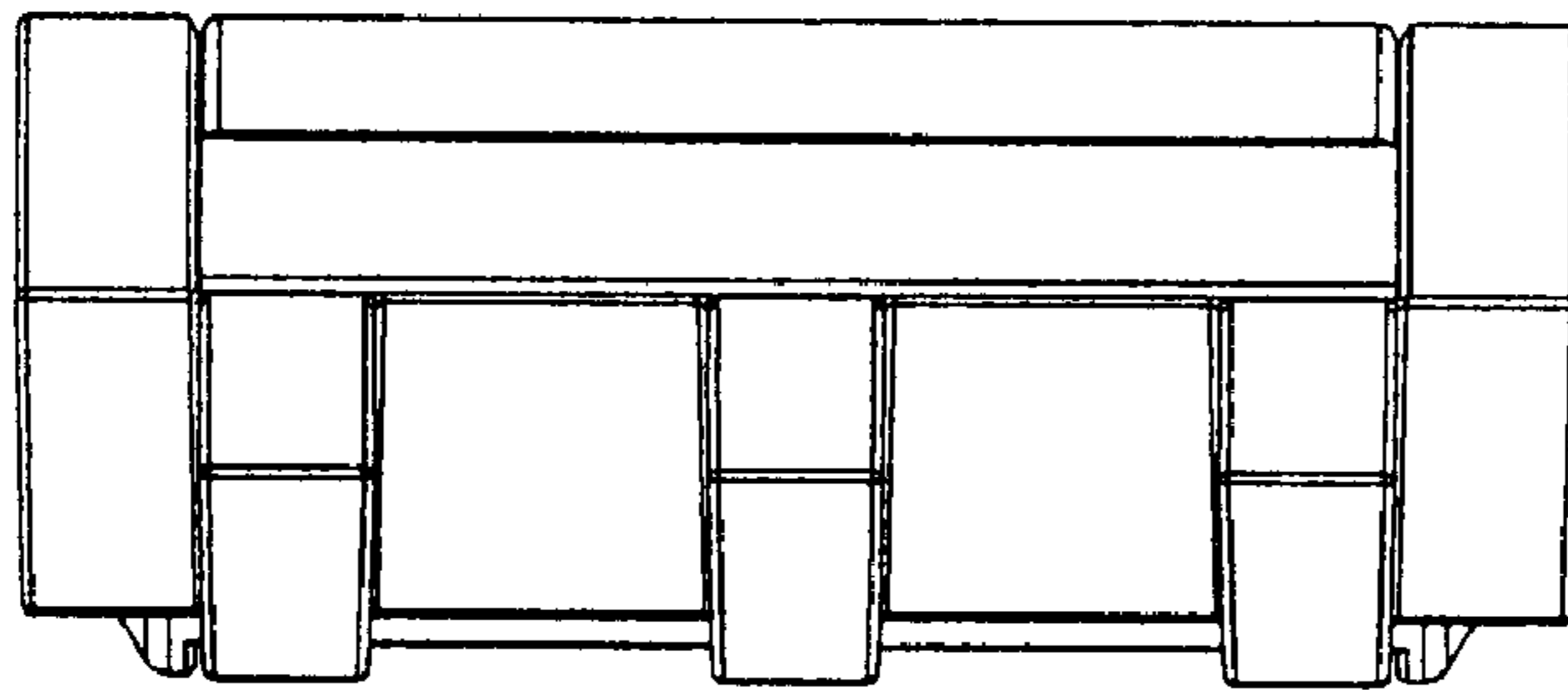


Figure 4

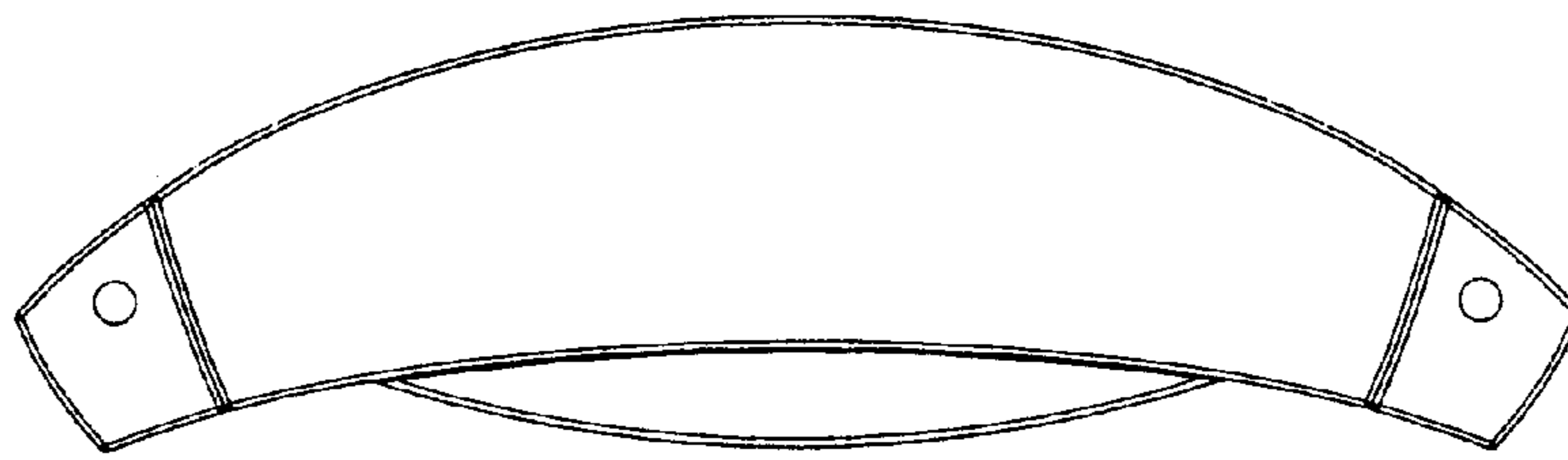


Figure 5

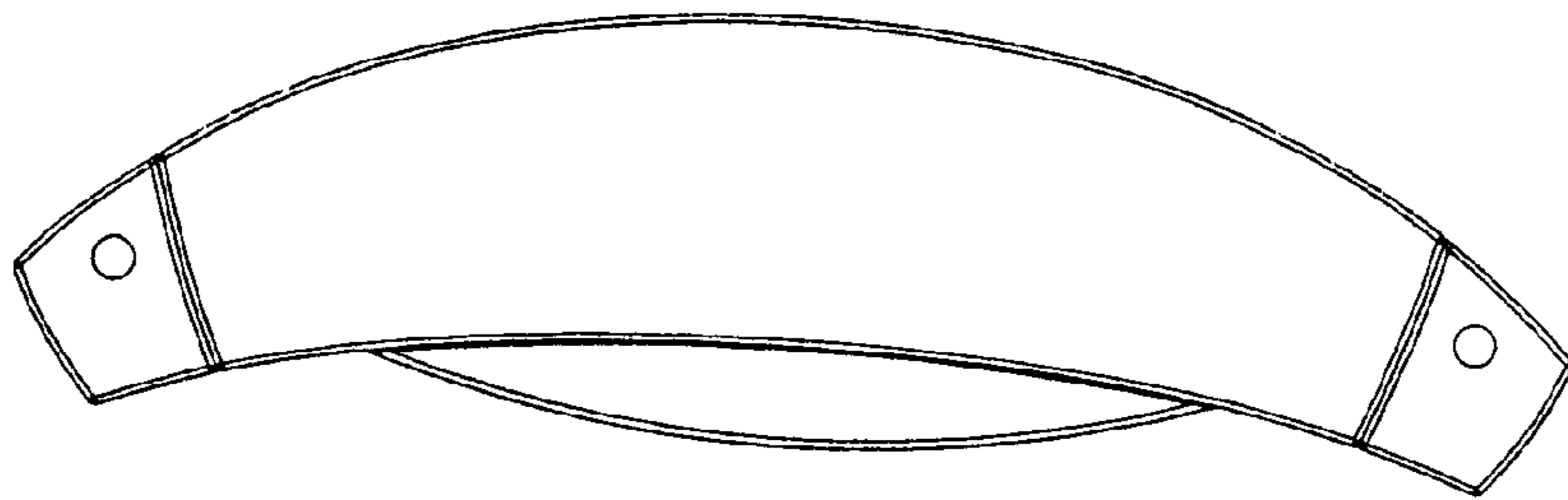


Figure 6

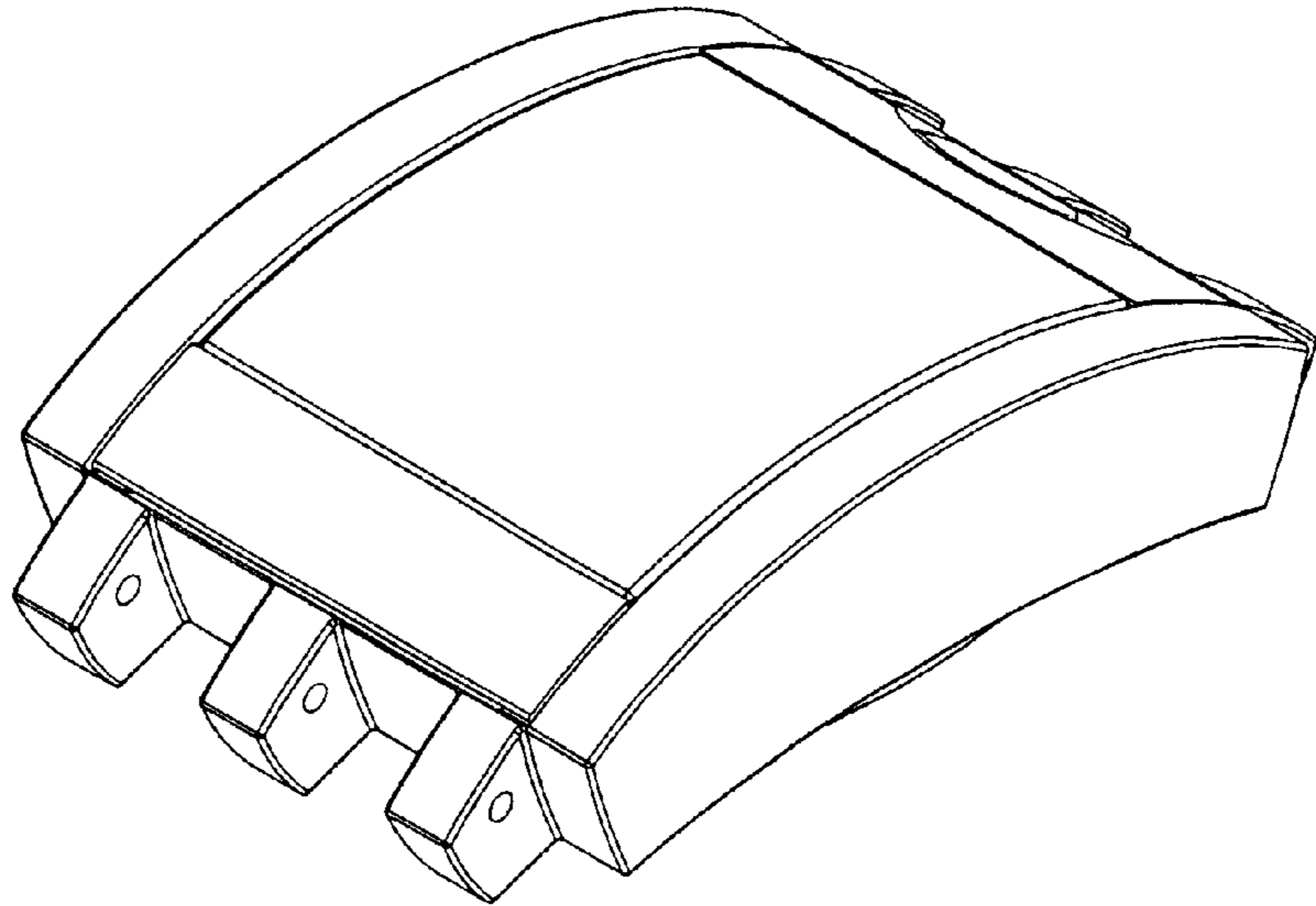


Figure 7

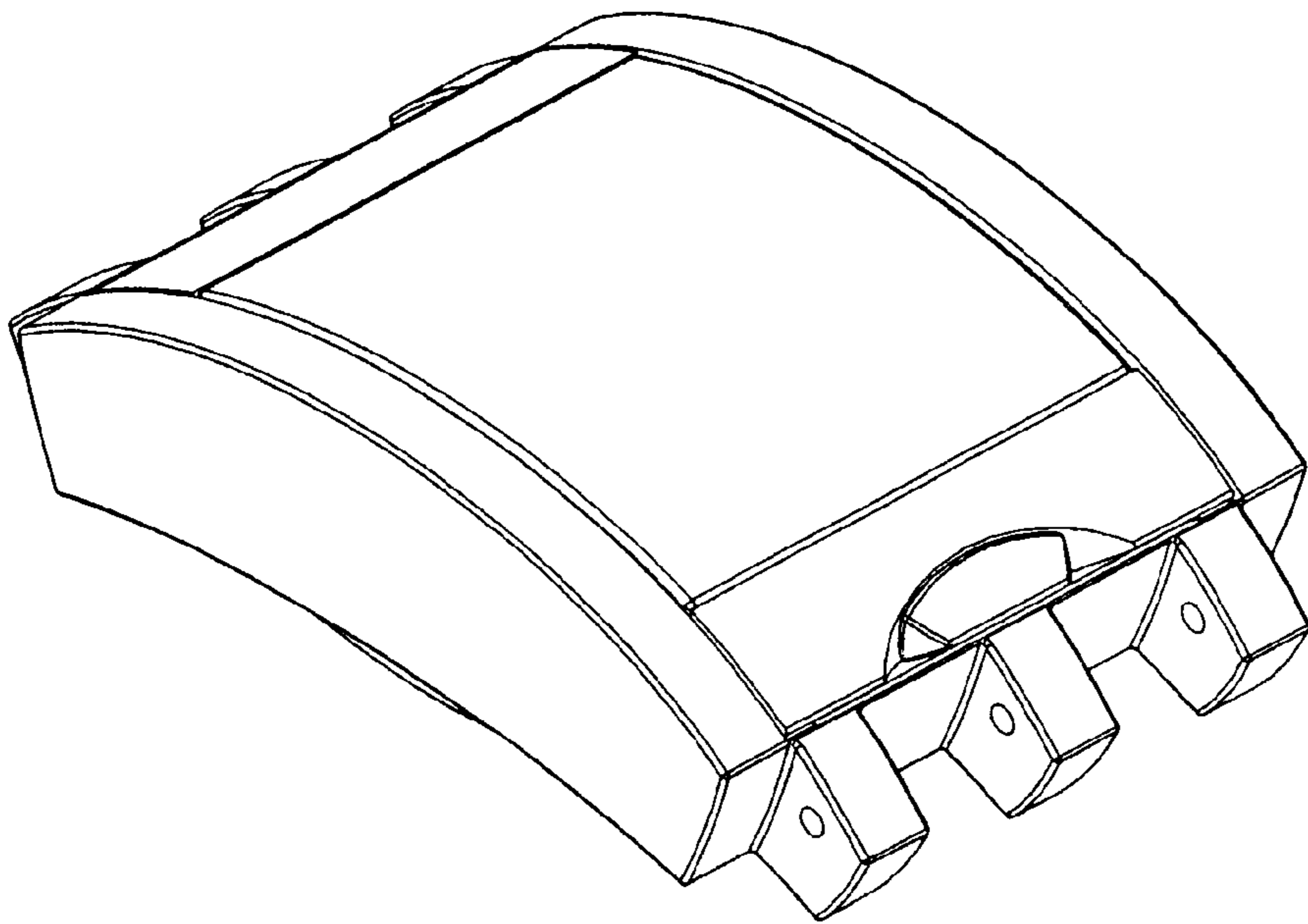


Figure 8

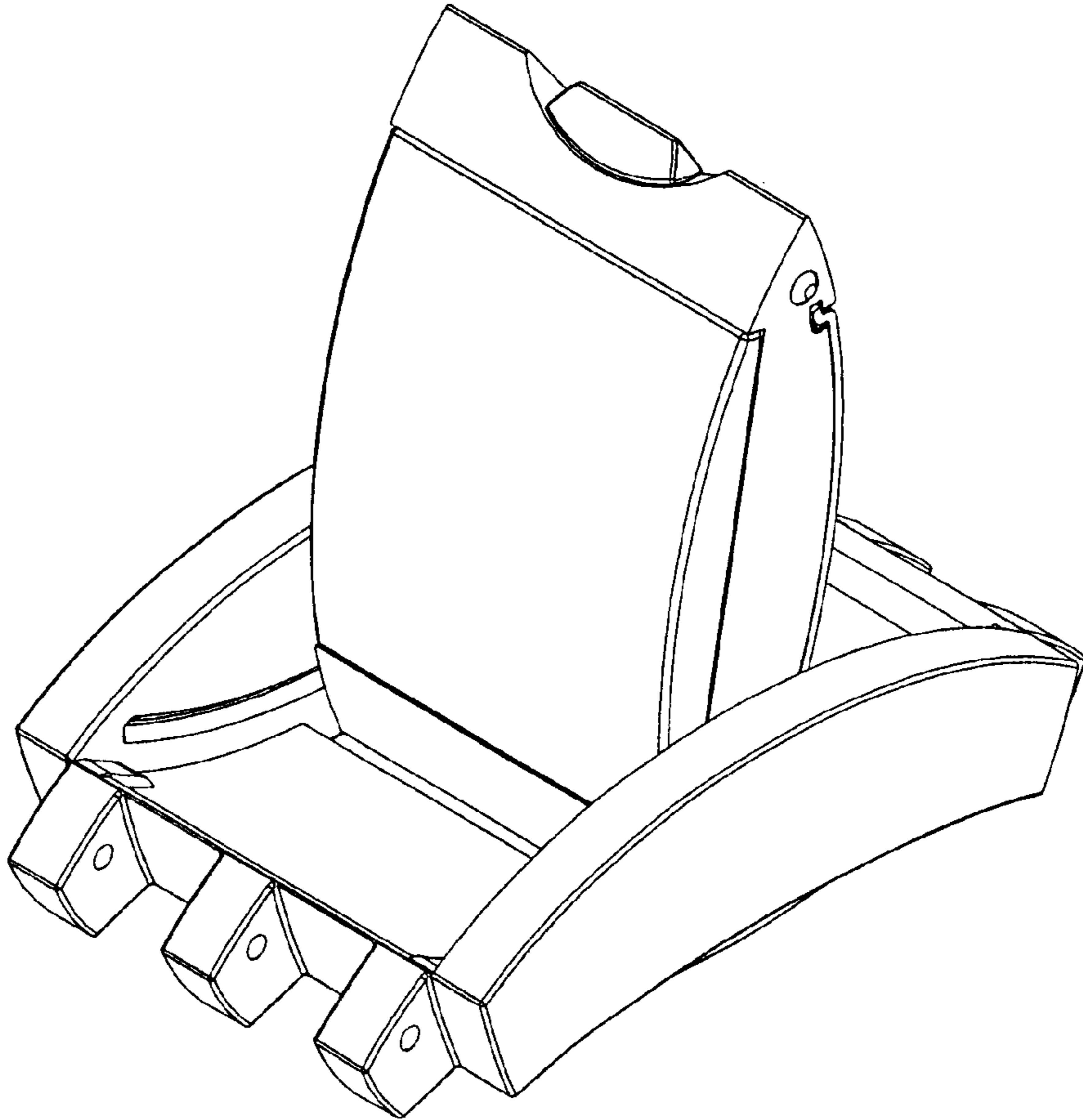


Figure 9

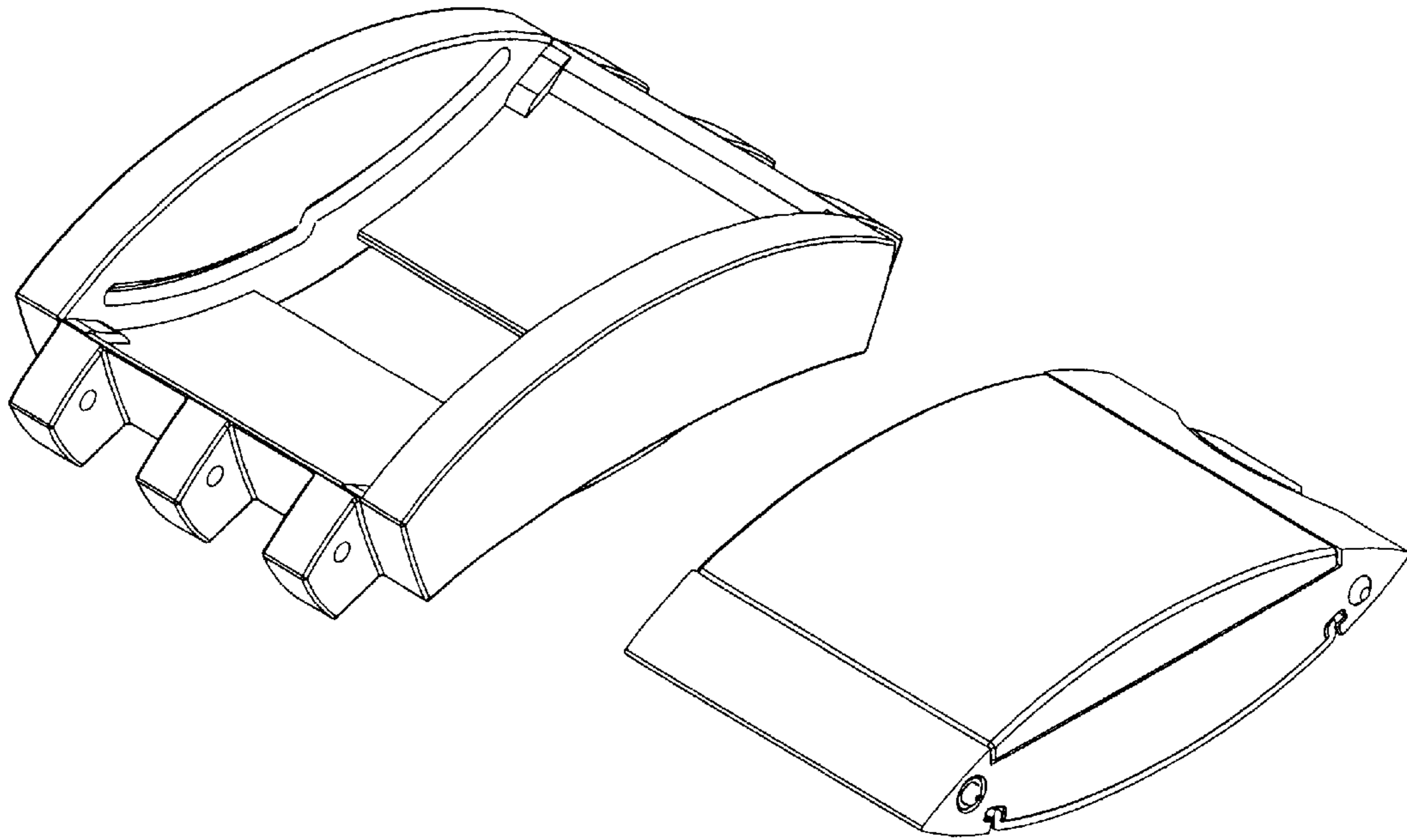


Figure 10