



US00D473469S

(12) **United States Design Patent**  
**Claessen**

(10) **Patent No.:** **US D473,469 S**

(45) **Date of Patent:** **\*\* Apr. 22, 2003**

(54) **BOTTLE**

(75) **Inventor:** **Markus Claessen, Moers (DE)**

(73) **Assignee:** **Dortmunder Union-Ritter Brauerei GmbH, Dortmund (DE)**

(\*\*) **Term:** **14 Years**

(21) **Appl. No.:** **29/146,269**

(22) **Filed:** **Aug. 8, 2001**

(30) **Foreign Application Priority Data**

Feb. 8, 2001 (DE) ..... 401 01 442

(51) **LOC (7) Cl.** ..... **09-01**

(52) **U.S. Cl.** ..... **D9/537; D9/539**

(58) **Field of Search** ..... D3/202; D6/542;  
D7/306; D9/338, 500, 502-504, 516, 521-523,  
525-531, 537-540, 541-546, 549, 551,  
556-558, 569, 570, 574-575; D24/121,  
224; D32/25, 30, 45, 10; 215/382-384,  
396, 398, 400

(56) **References Cited**

**U.S. PATENT DOCUMENTS**

D58,203 S \* 6/1921 Anderson ..... D9/500  
D60,556 S \* 3/1922 Marble ..... D9/502  
D75,426 S \* 6/1928 Jasper ..... D9/554  
D75,504 S \* 6/1928 Mas ..... D9/538

D76,731 S \* 10/1928 Alchinger et al. .... D9/556  
D85,233 S \* 9/1931 Fuerst ..... D9/500  
D85,369 S \* 10/1931 Egizio ..... D9/332  
D97,218 S \* 8/1935 Wise ..... D9/502  
D308,335 S \* 6/1990 Rubinoff ..... D9/557  
D324,821 S \* 3/1992 Solomon ..... D9/540  
D328,420 S \* 8/1992 Miller ..... D9/502  
D333,434 S \* 2/1993 Sosenko ..... D9/539  
5,385,250 A \* 1/1995 Pasquale ..... 215/400 X  
D363,026 S \* 10/1995 Sillince et al. .... D9/500  
D386,674 S \* 11/1997 Corcoran et al. .... D9/307  
D455,351 S \* 4/2002 Bailey ..... D9/549

\* cited by examiner

*Primary Examiner*—Ted Shooman

*Assistant Examiner*—Carol Rademaker

(74) *Attorney, Agent, or Firm*—Fitzpatrick, Cella, Harper & Scinto

(57) **CLAIM**

The ornamental design for a bottle, as shown and described.

**DESCRIPTION**

FIG. 1 is a side elevational view of the bottle of the claimed design;

FIG. 2 is an elevational view of the opposite side thereof; and,

FIG. 3 is a top plan view thereof.

The broken lines shown in the drawings are for illustrative purposes only and form no part of the claimed design.

**1 Claim, 3 Drawing Sheets**

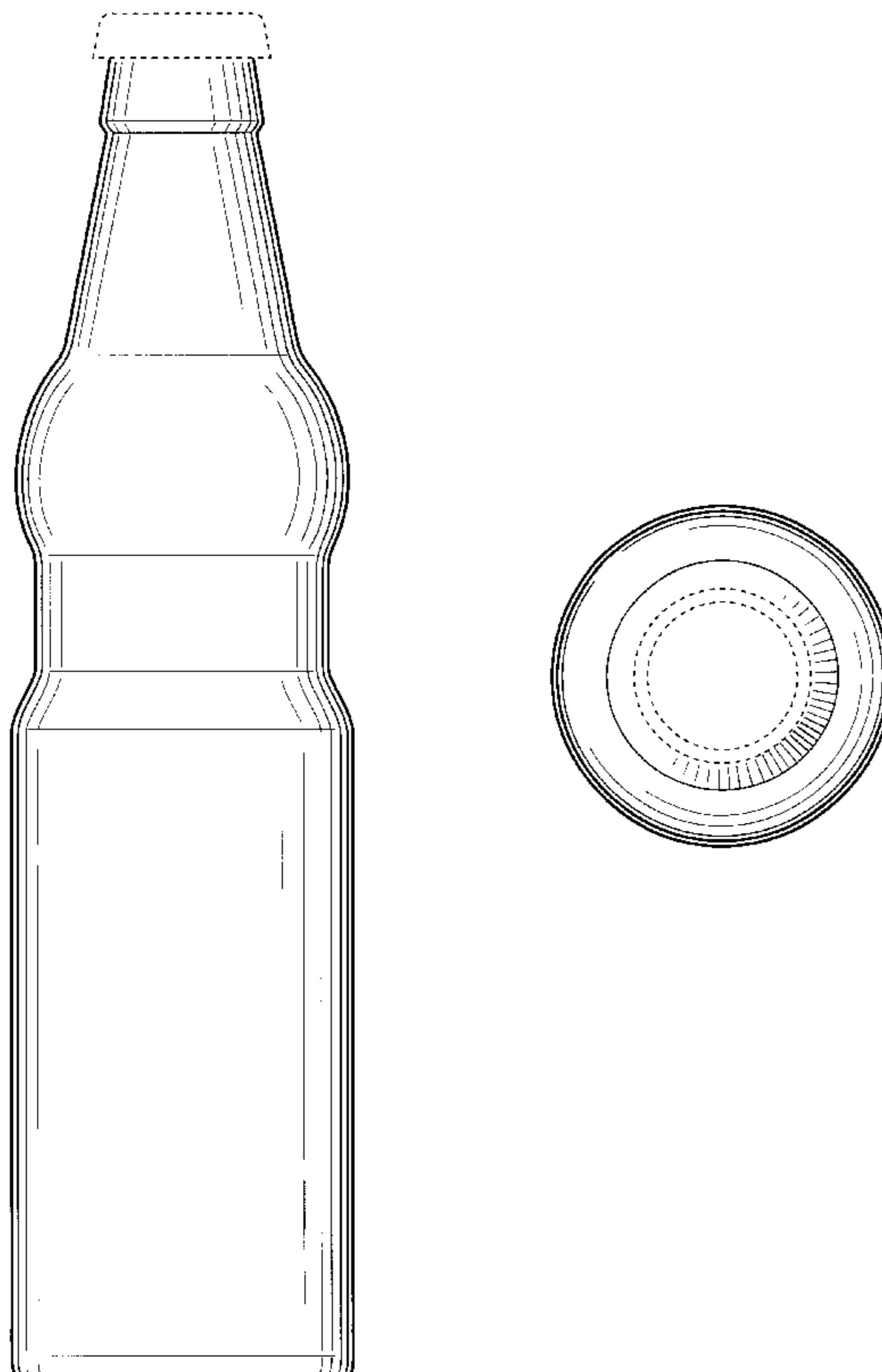


FIG. 1

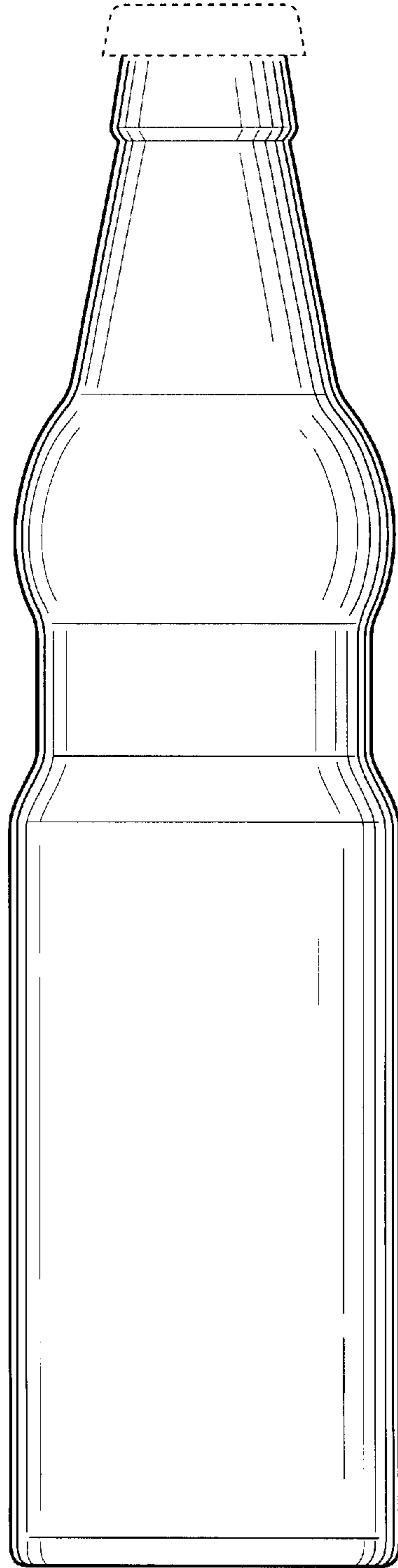
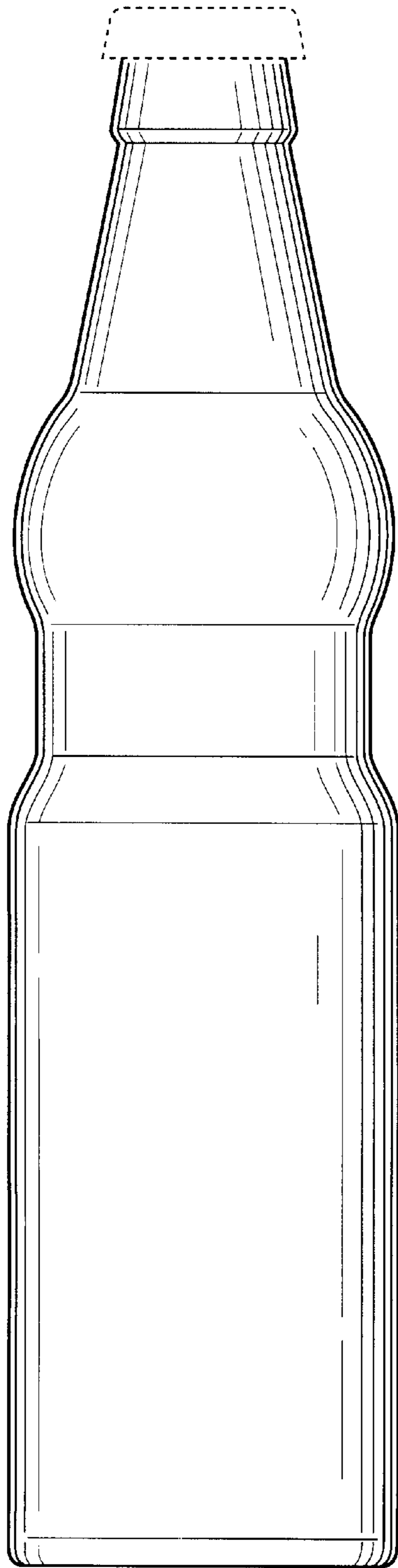


FIG. 2



**FIG. 3**

