



US00D473468S

(12) **United States Design Patent**
Gilmore et al.

(10) **Patent No.: US D473,468 S**

(45) **Date of Patent: ** Apr. 22, 2003**

(54) **CONTAINER**

(75) Inventors: **Arthur Gilmore**, Centerport, NY (US);
Louis Lombardi, Briarwood, NY (US);
Klaus Rosburg, Brooklyn, NY (US)

(73) Assignee: **Texaco, Inc.**, White Plains, NY (US)

(**) Term: **14 Years**

(21) Appl. No.: **29/167,278**

(22) Filed: **Sep. 12, 2002**

Related U.S. Application Data

(60) Division of application No. 29/159,588, filed on Apr. 25, 2002, which is a division of application No. 29/142,536, filed on May 30, 2001, now Pat. No. Des. 461,415, which is a continuation-in-part of application No. 29/134,353, filed on Dec. 21, 2000.

(51) **LOC (7) Cl. 09-01**

(52) **U.S. Cl. D9/528; D9/570; D9/575**

(58) **Field of Search D9/516, 520, 523,**
D9/530, 531, 538, 540, 541, 543, 549,
551, 557, 564, 570, 574, 575, 528; 215/381-385,
396, 398

(56) **References Cited**

U.S. PATENT DOCUMENTS

D60,342 S	2/1922	Haskell
D97,825 S	12/1935	Smith
D99,650 S	5/1936	Robinson
D103,520 S	3/1937	Smith
D192,268 S	2/1962	Sterges et al.
D193,030 S	6/1962	Douglas et al.
D195,064 S	4/1963	Dike
D195,367 S	6/1963	Lonker
D195,600 S	7/1963	Neyman
D196,002 S	8/1963	Koenigsberg
D196,752 S	10/1963	Koenigsberg
D200,013 S	1/1965	Lorenzen
D225,395 S	12/1972	Jacob
D249,229 S	9/1978	Schacher et al.
D250,572 S	12/1978	Sneeden et al.
D266,095 S	9/1982	Hara

D275,078 S	8/1984	Wassergord et al.
D291,063 S	7/1987	Prince et al.
D292,968 S	12/1987	Darr
D293,653 S	1/1988	Peters
D294,802 S	3/1988	Beaver
D295,955 S	5/1988	LeFevre
D304,158 S	10/1989	Kleinert
D304,159 S	10/1989	Kleinert
4,877,142 A	10/1989	Doering
D308,332 S	6/1990	Haworth
4,949,861 A	8/1990	Cochran
D315,671 S	3/1991	Zaragoza
D318,615 S	7/1991	Martin
D334,343 S	3/1993	Leslie et al.
D337,275 S	7/1993	Tutssel
D342,678 S	12/1993	Warner et al.
D349,056 S	7/1994	Jaramillo
D352,904 S	11/1994	Kearse et al.
D354,000 S	1/1995	Hoyt
D354,230 S	1/1995	Hoyt
D354,916 S	1/1995	Park

(List continued on next page.)

Primary Examiner—Ted Shooman

Assistant Examiner—Carol Rademaker

(74) *Attorney, Agent, or Firm*—Pennie & Edmonds LLP

(57) **CLAIM**

The ornamental design for a container, as shown and described.

DESCRIPTION

FIG. 1 is a front, perspective view of a container of the present invention;

FIG. 2 is a side view thereof;

FIG. 3 is an opposite side view thereof;

FIG. 4 is a rear, elevational view thereof;

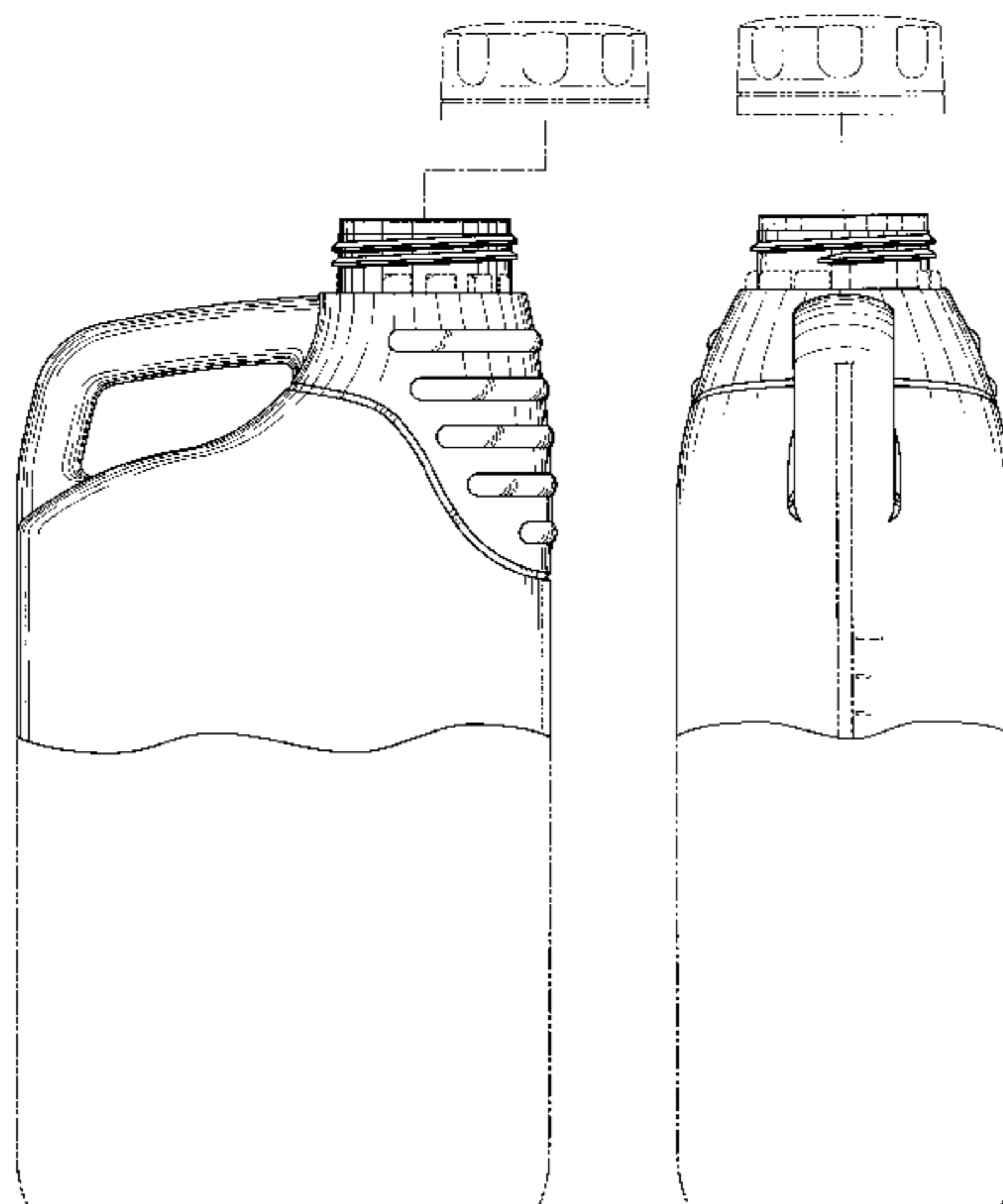
FIG. 5 is a front, elevational view thereof;

FIG. 6 is a top view thereof; and,

FIG. 7 is a bottom view thereof.

The broken line showings, such as of the bottom of the container, of a cap for use with the container, of the nibs around the neck at the top of the container, and of the broken lines showing the tic marks on the rear side of the container in FIG. 4 are for, illustrative purposes only and form no part of the claimed design.

1 Claim, 5 Drawing Sheets



US D473,468 S

Page 2

U.S. PATENT DOCUMENTS

D356,036 S	3/1995	Hoyt	D398,240 S	9/1998	Willardson
D356,504 S	3/1995	Saltz	D401,504 S	11/1998	Bolliger et al.
D361,269 S	8/1995	Fenton et al.	D402,204 S	12/1998	Jennings
D372,428 S	8/1996	Malmquist	D402,553 S	12/1998	Webster et al.
D375,049 S	10/1996	Vollborth	D404,650 S	1/1999	Hefter et al.
D376,104 S	12/1996	Gerhart et al.	D406,063 S	2/1999	Vangramberen
D378,058 S	2/1997	Meisner et al.	D406,765 S	3/1999	Zimmer et al.
D380,681 S	7/1997	De Souza et al.	5,875,940 A	3/1999	Mayfield
D380,682 S	7/1997	Robinson	D410,391 S	6/1999	Soller
D381,903 S	8/1997	Zimmer et al.	5,918,753 A	7/1999	Ogg et al.
D382,208 S	8/1997	Goettner et al.	D413,808 S	9/1999	Bolliger et al.
D382,812 S	8/1997	Kokenge et al.	D415,964 S	11/1999	Manderfield, Jr. et al.
D383,391 S	9/1997	Beaver	D416,802 S	11/1999	Zimmer et al.
D383,678 S	9/1997	Syrek	5,979,696 A	11/1999	Bode et al.
D385,794 S	11/1997	Goettner et al.	D417,622 S	12/1999	Johnson et al.
D391,488 S	3/1998	Klima, Jr. et al.	D420,290 S	2/2000	Dean et al.
D395,603 S	6/1998	Harris	D420,918 S	2/2000	Hefter et al.
			D424,449 S	5/2000	Heydenburg et al.

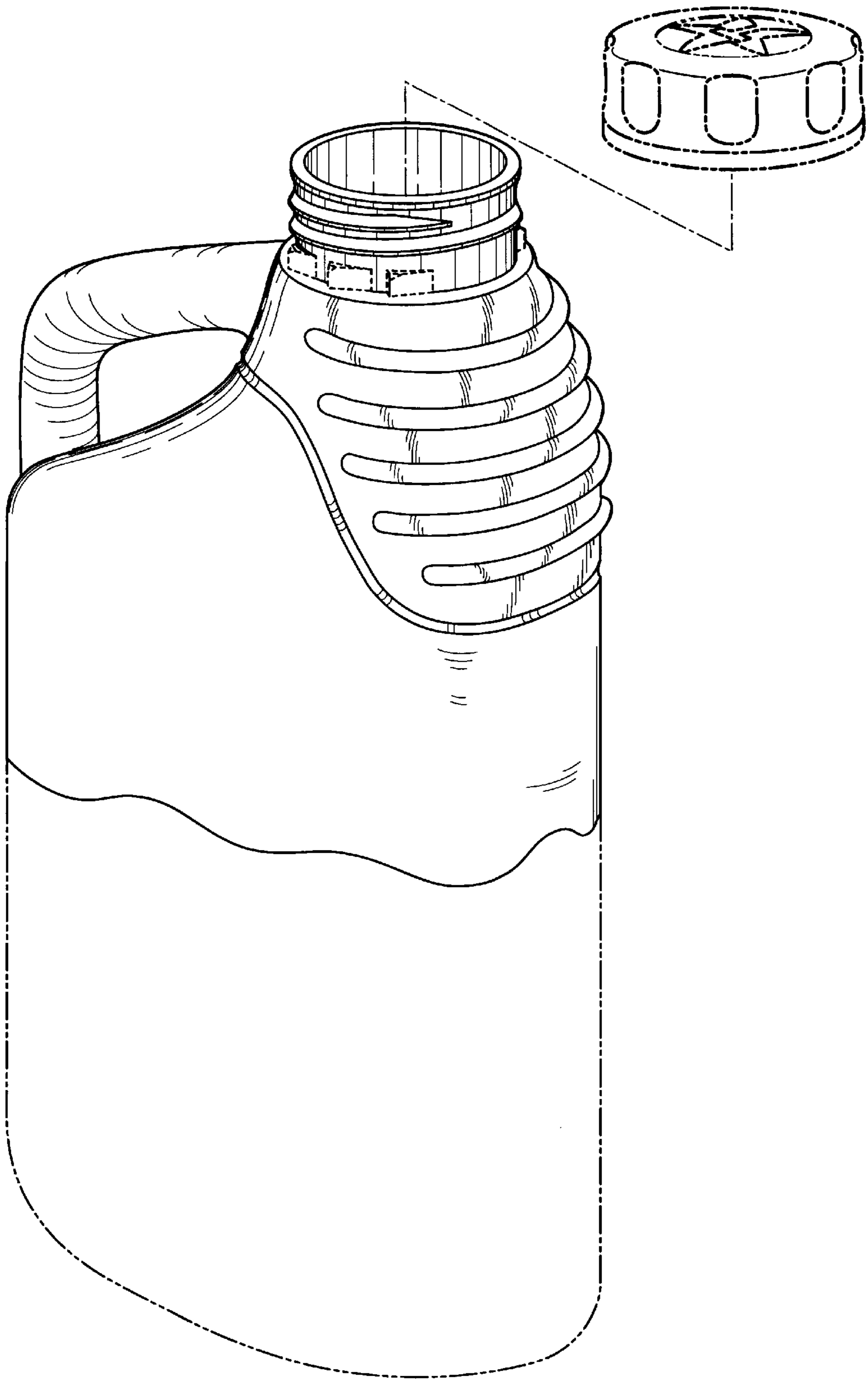


Fig. 1

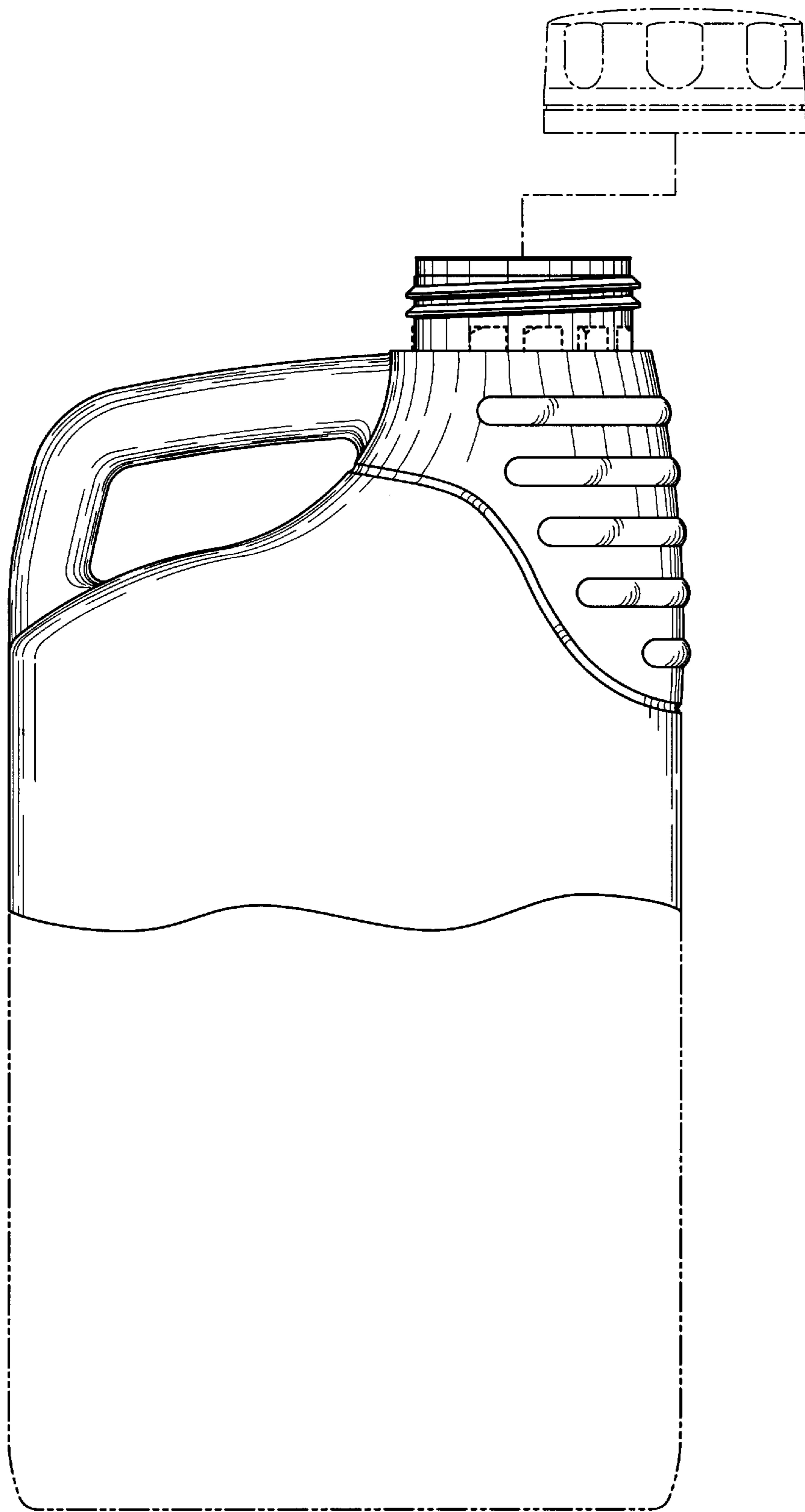


Fig. 2

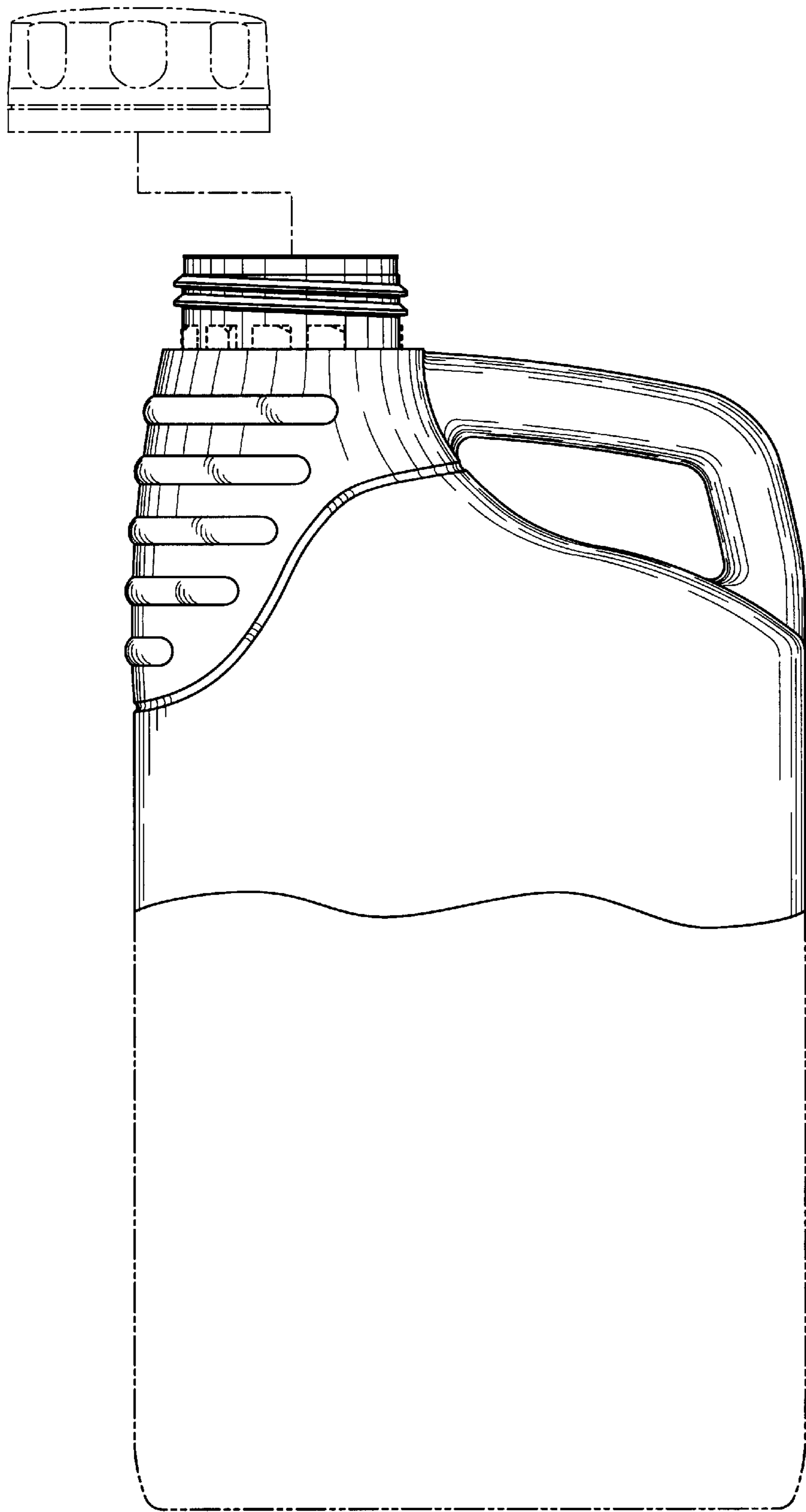


Fig. 3

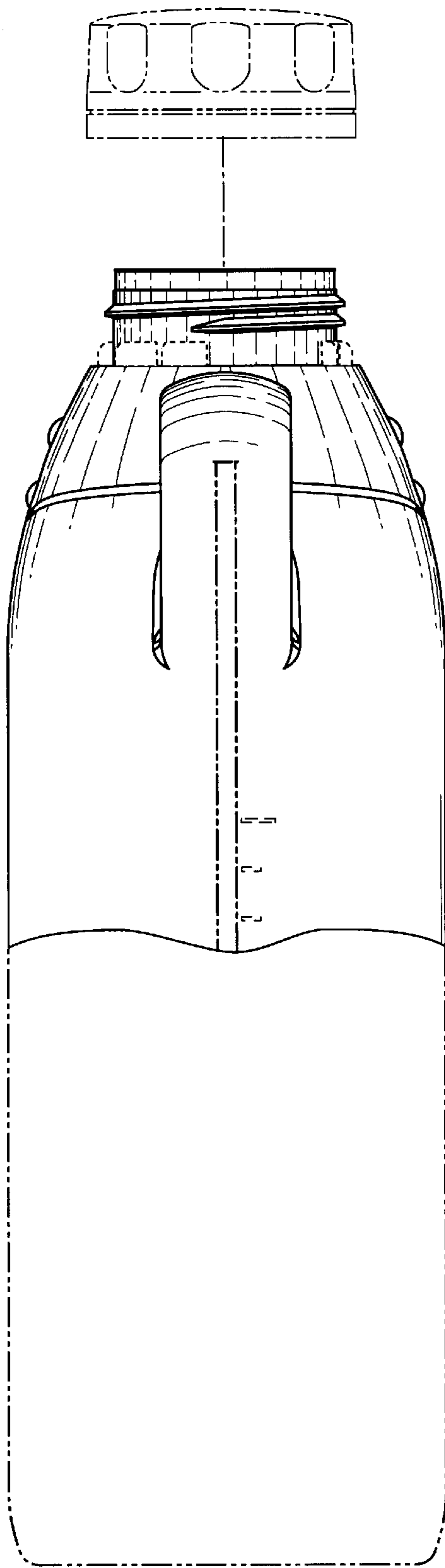


Fig. 4

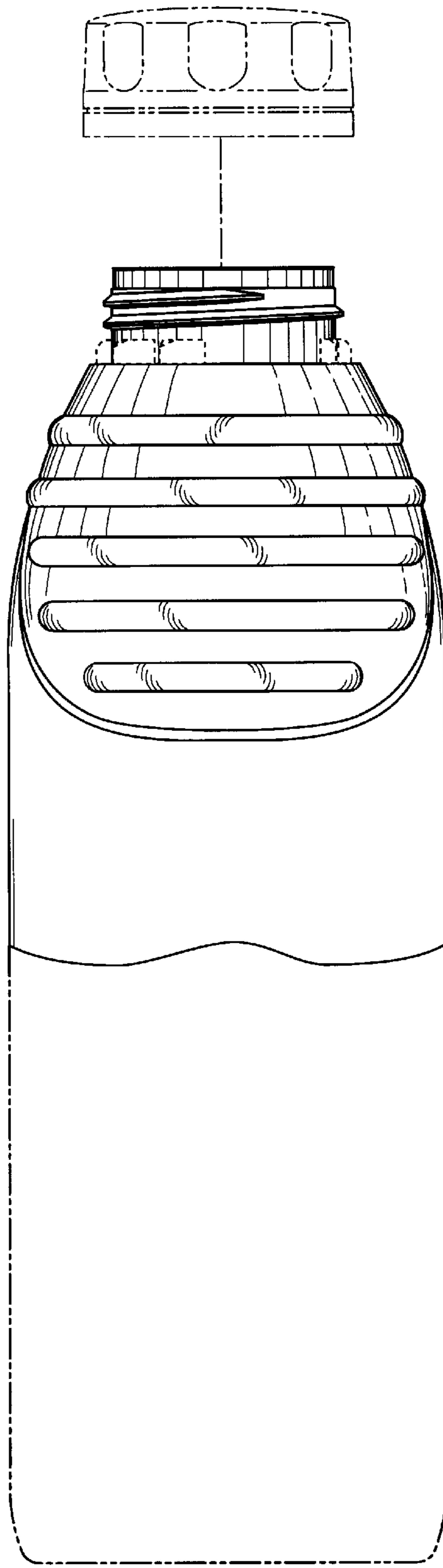


Fig. 5

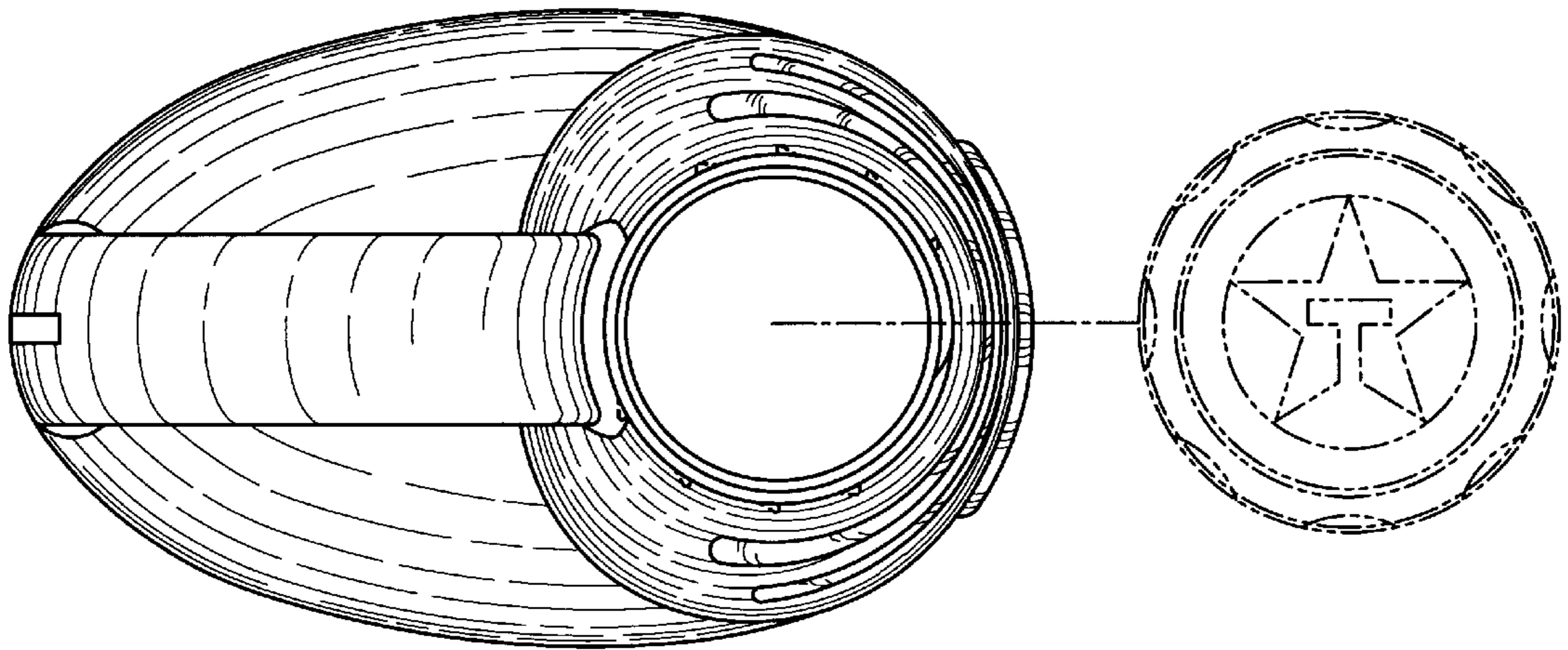


Fig. 6

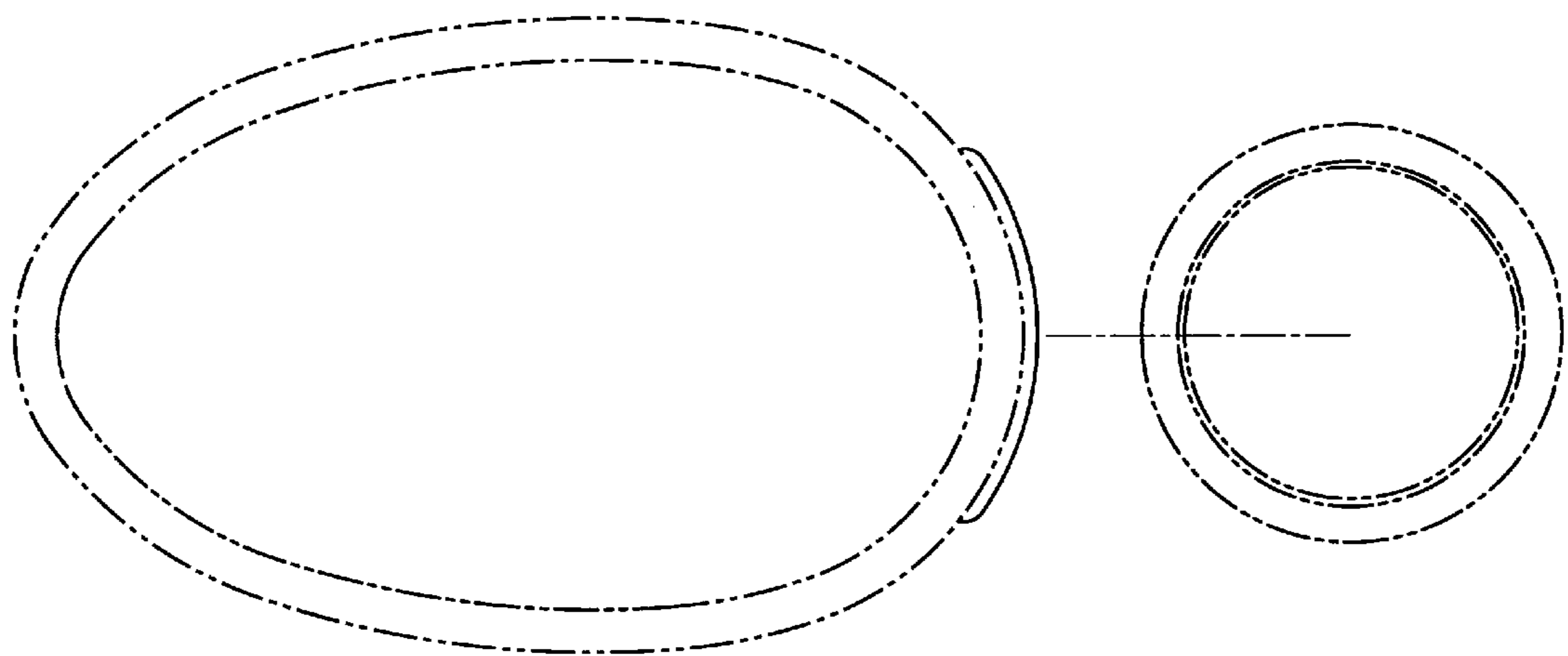


Fig. 7