



US00D473461S

(12) **United States Design Patent**  
**Joubert**

(10) **Patent No.:** **US D473,461 S**

(45) **Date of Patent:** **\*\* Apr. 22, 2003**

(54) **CONTAINER**

(75) Inventor: **Jacques-Francois Joubert**, Happy Valley (HK)

(73) Assignee: **JEF Limited**, Kwai Chung (HK)

(\*\*) Term: **14 Years**

(21) Appl. No.: **29/148,141**

(22) Filed: **Sep. 17, 2001**

(51) **LOC (7) Cl.** ..... **09-03**

(52) **U.S. Cl.** ..... **D9/423**

(58) **Field of Search** ..... D9/420-424, 414, D9/432, 337, 509, 516, 517, 529; D3/203; D7/590, 601; 206/440, 441, 528; 220/549, 550, 534, 527, 812, 796; 229/122.2, 160.1

(56) **References Cited**

**U.S. PATENT DOCUMENTS**

- 2,533,305 A \* 12/1950 Wells ..... 229/125.08
- 3,454,181 A \* 7/1969 Plaskan ..... 220/8
- 3,872,996 A \* 3/1975 Dogliotti ..... D9/423 X
- 4,502,609 A \* 3/1985 Christatos ..... 220/812
- D364,344 S \* 11/1995 Shaw ..... D9/423
- D386,001 S \* 11/1997 Saffran ..... D9/423
- 5,720,617 A \* 2/1998 Var ..... 229/122.2

- D407,972 S \* 4/1999 Hilton ..... D9/422
- D449,782 S \* 10/2001 Diaz ..... D9/423

\* cited by examiner

*Primary Examiner*—Prabhakar Deshmukh

(74) *Attorney, Agent, or Firm*—Burns, Doane, Swecker & Mathis, LLP

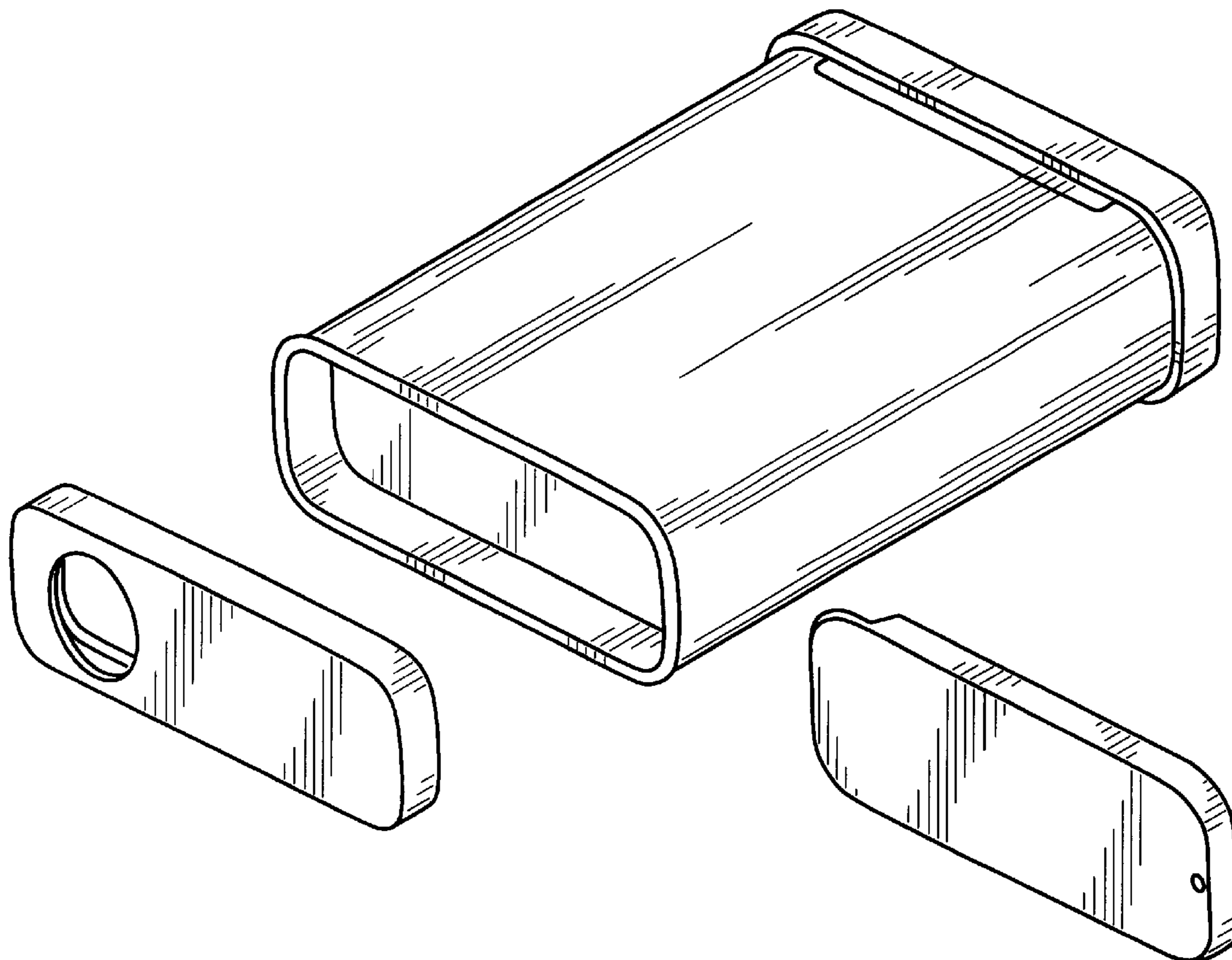
(57) **CLAIM**

The ornamental design for “container”, as shown and described.

**DESCRIPTION**

FIG. 1 is a front perspective view of “container” showing my new design;  
 FIG. 2 is an alternate perspective view showing the container with an upper lid opened thereof;  
 FIG. 3 is a front elevational view thereof;  
 FIG. 4 is a bottom plan view thereof;  
 FIG. 5 is a top plan view thereof;  
 FIG. 6 is a rear elevational view thereof;  
 FIG. 7 is a bottom perspective view showing the container with a lower lid half-opened thereof; and,  
 FIG. 8 is an exploded view showing the container with a receptacle and the lower lid removed thereof.

**1 Claim, 7 Drawing Sheets**



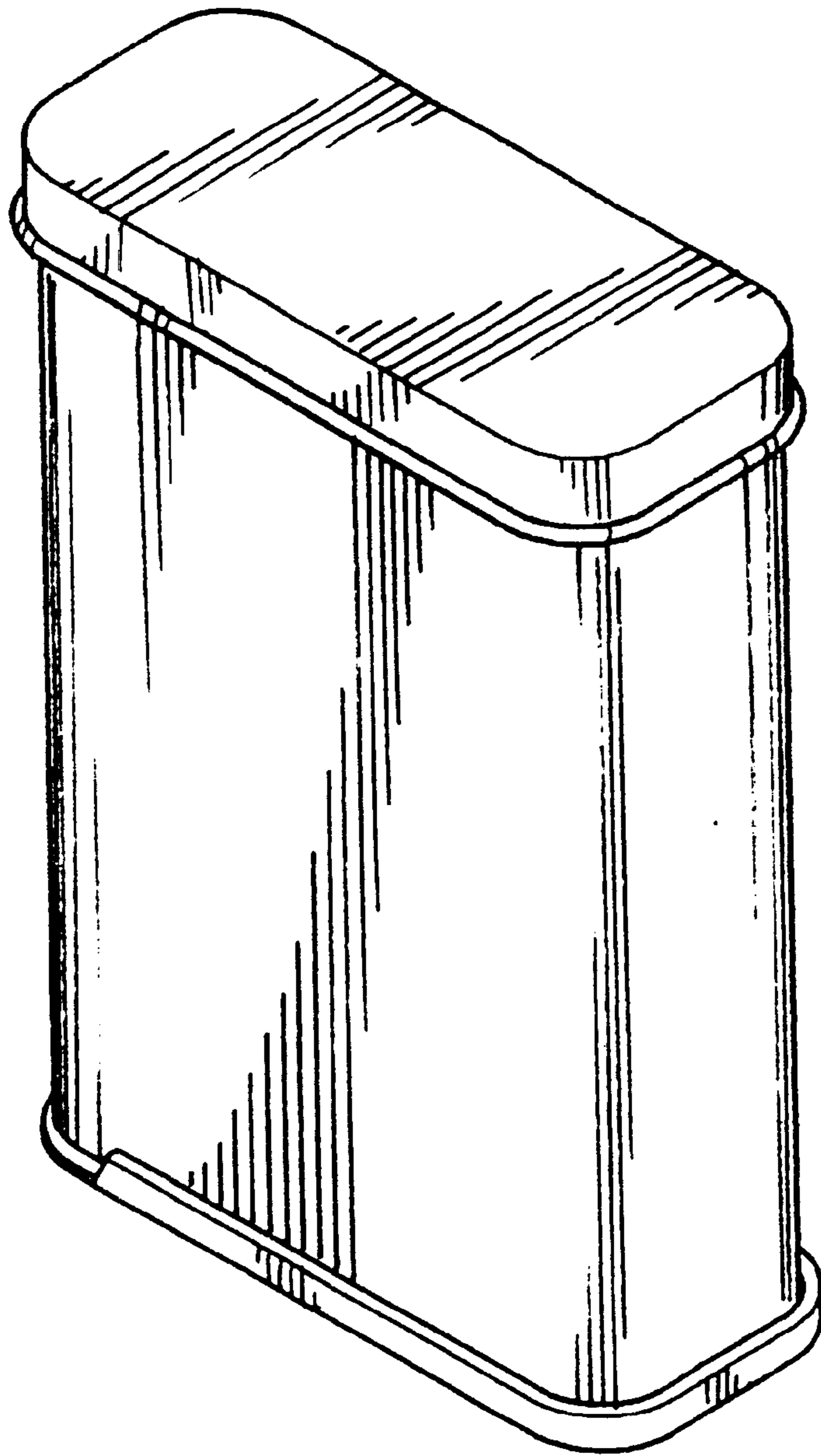


FIG. 1

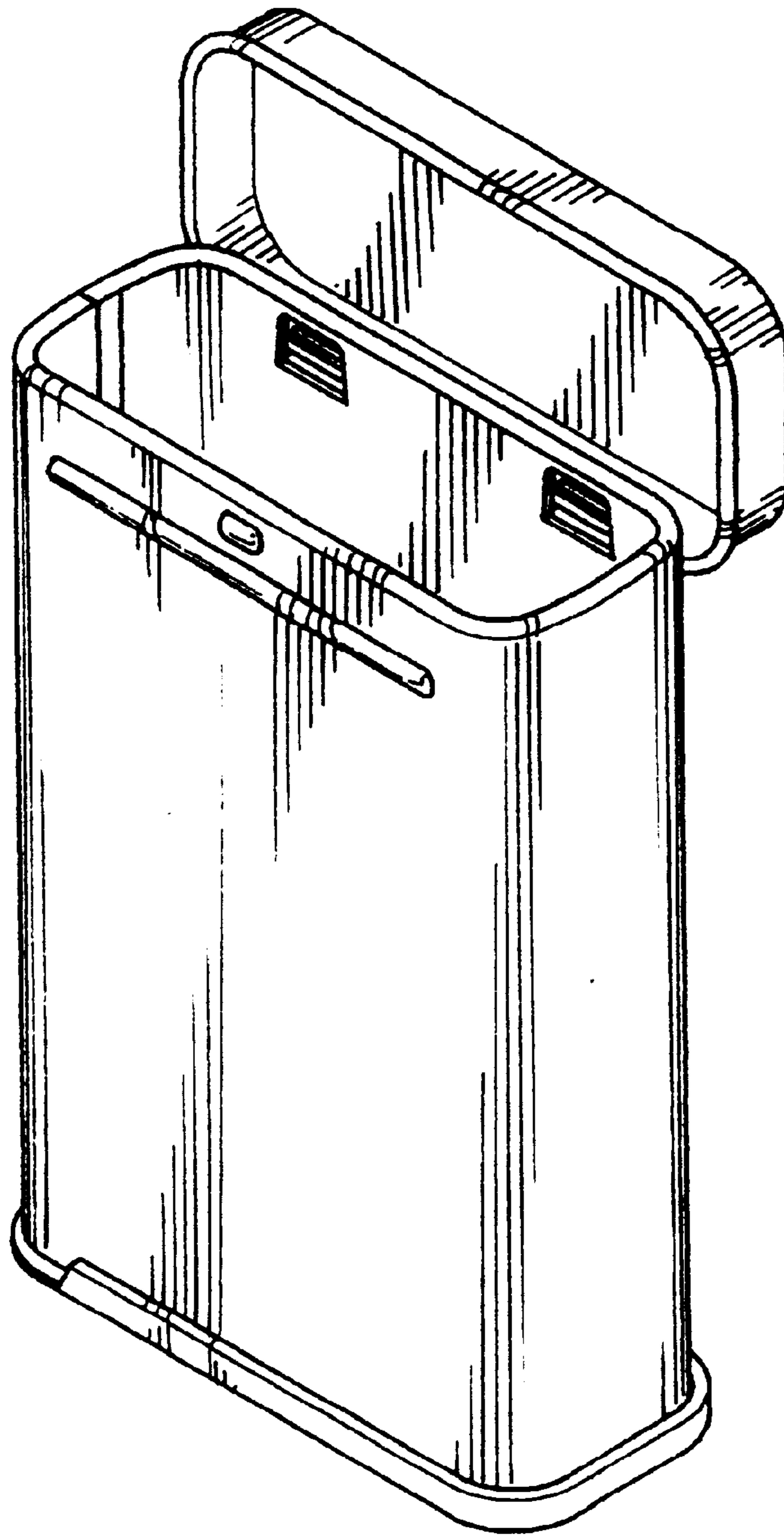


FIG. 2

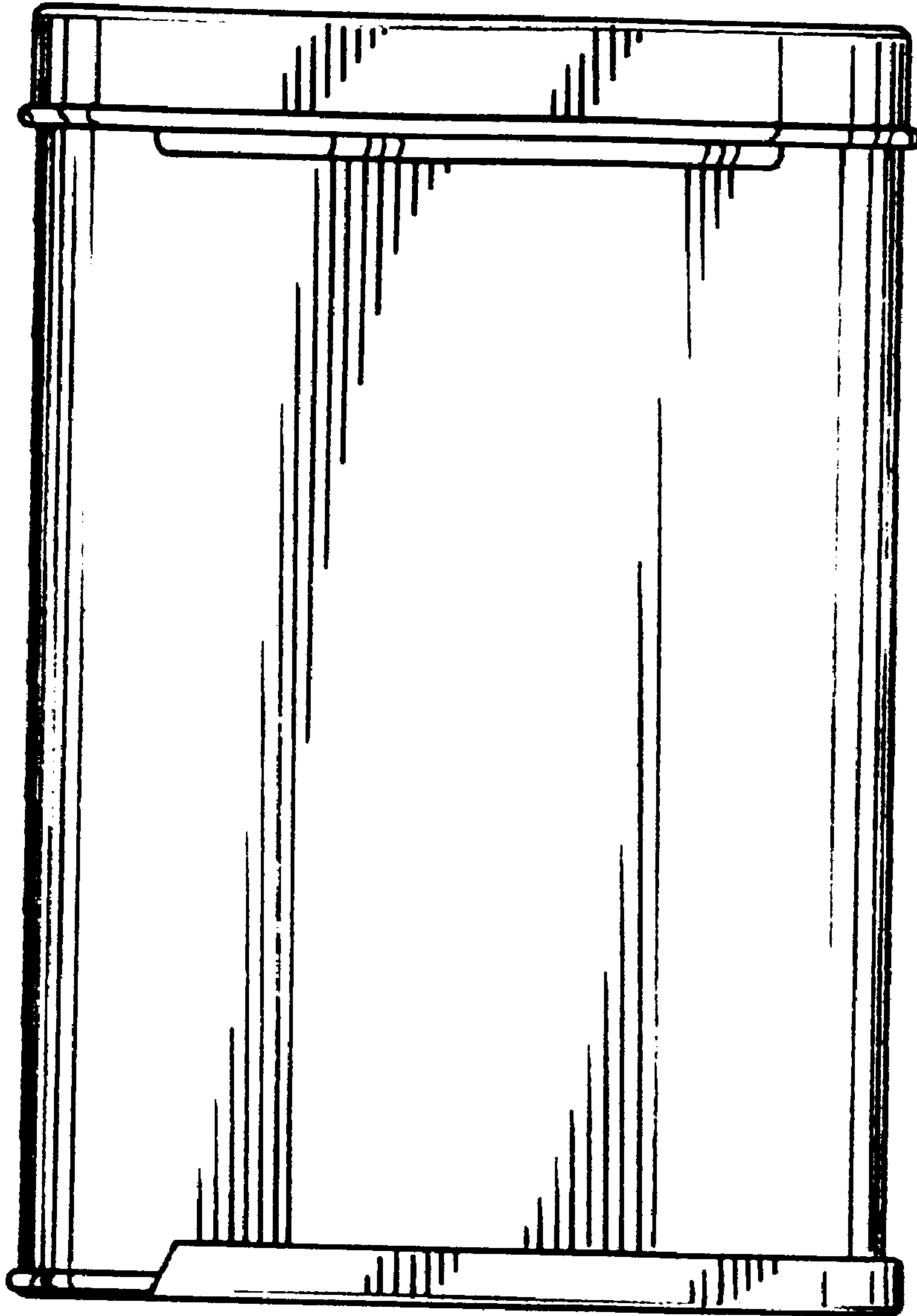


FIG. 3

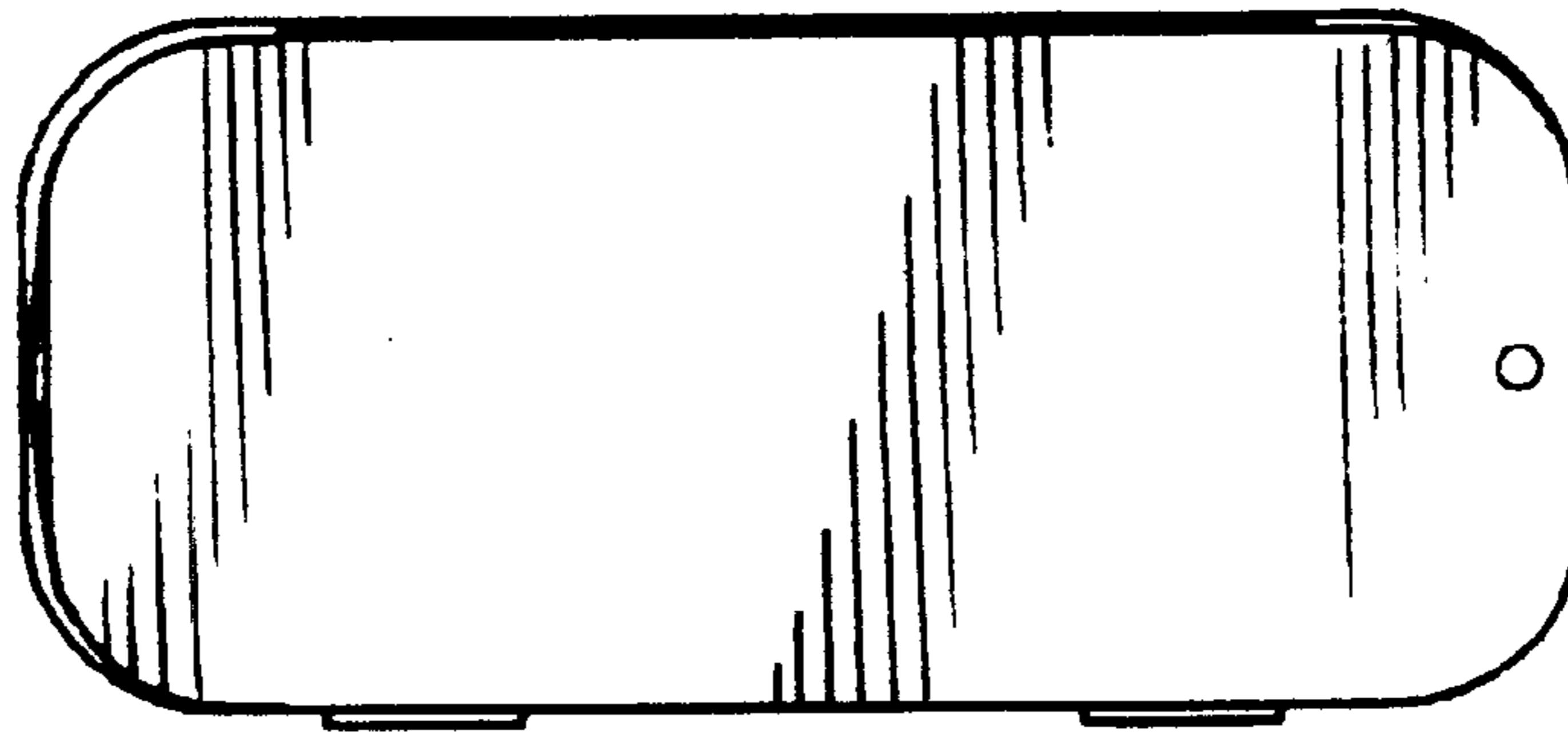


FIG. 4

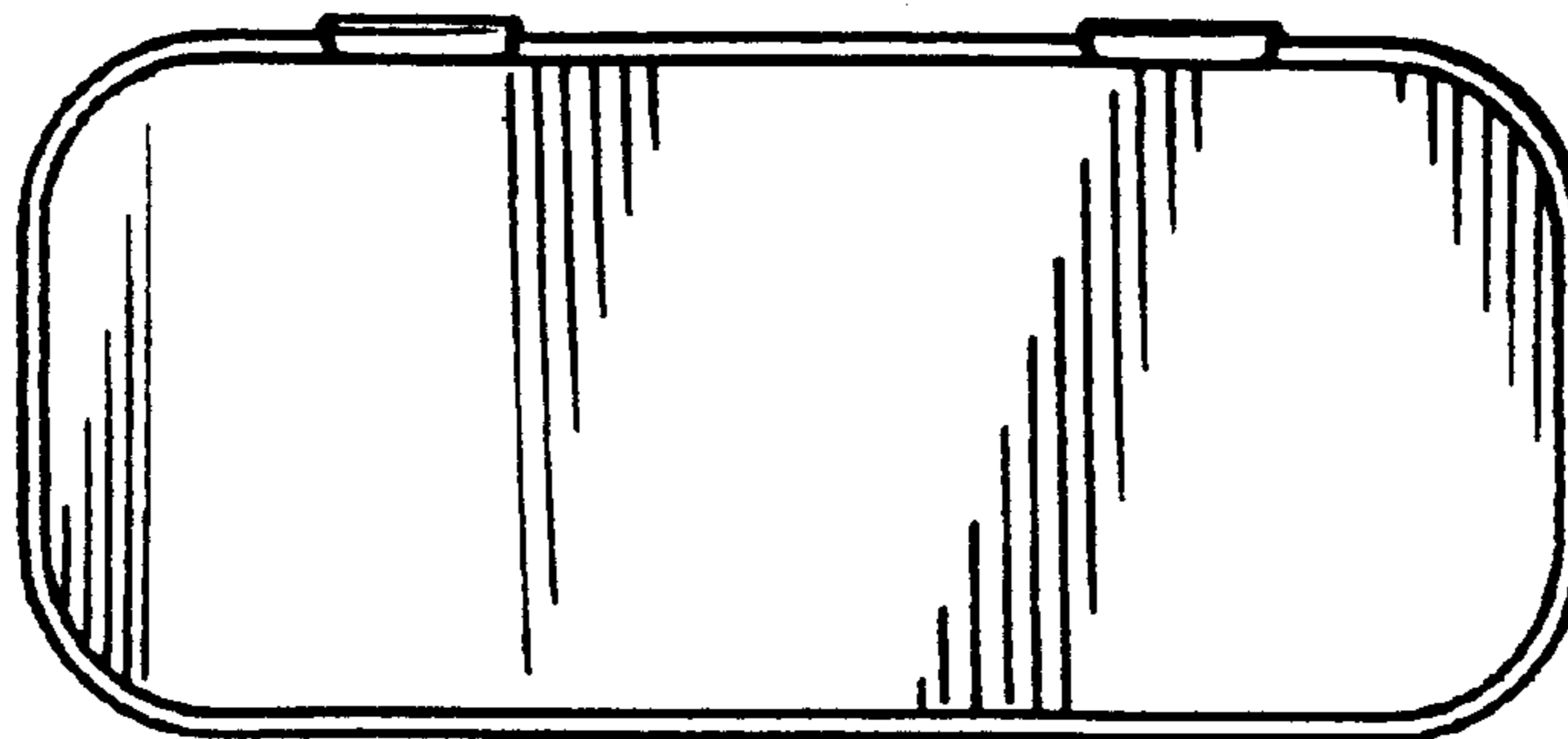


FIG. 5

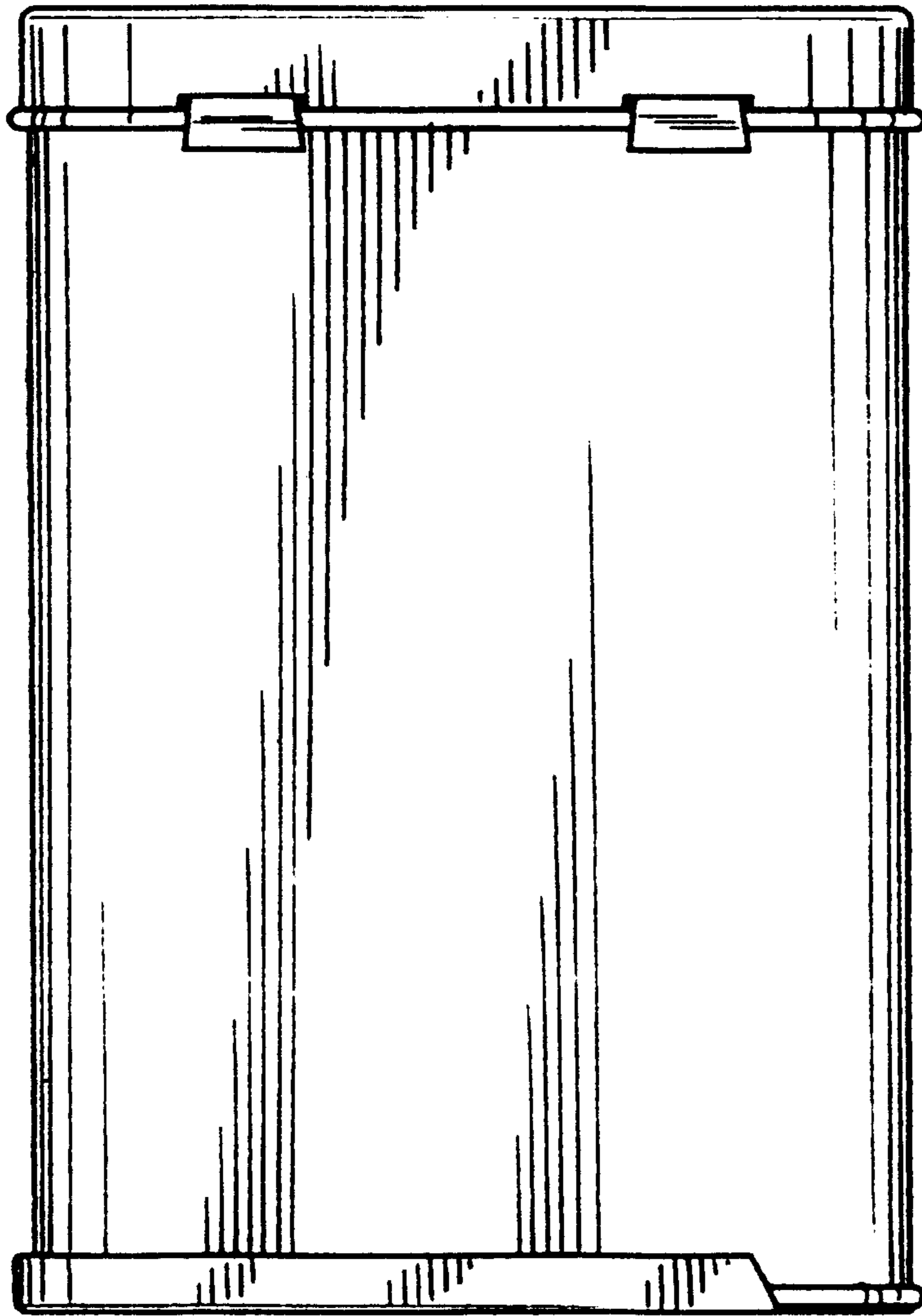


FIG. 6

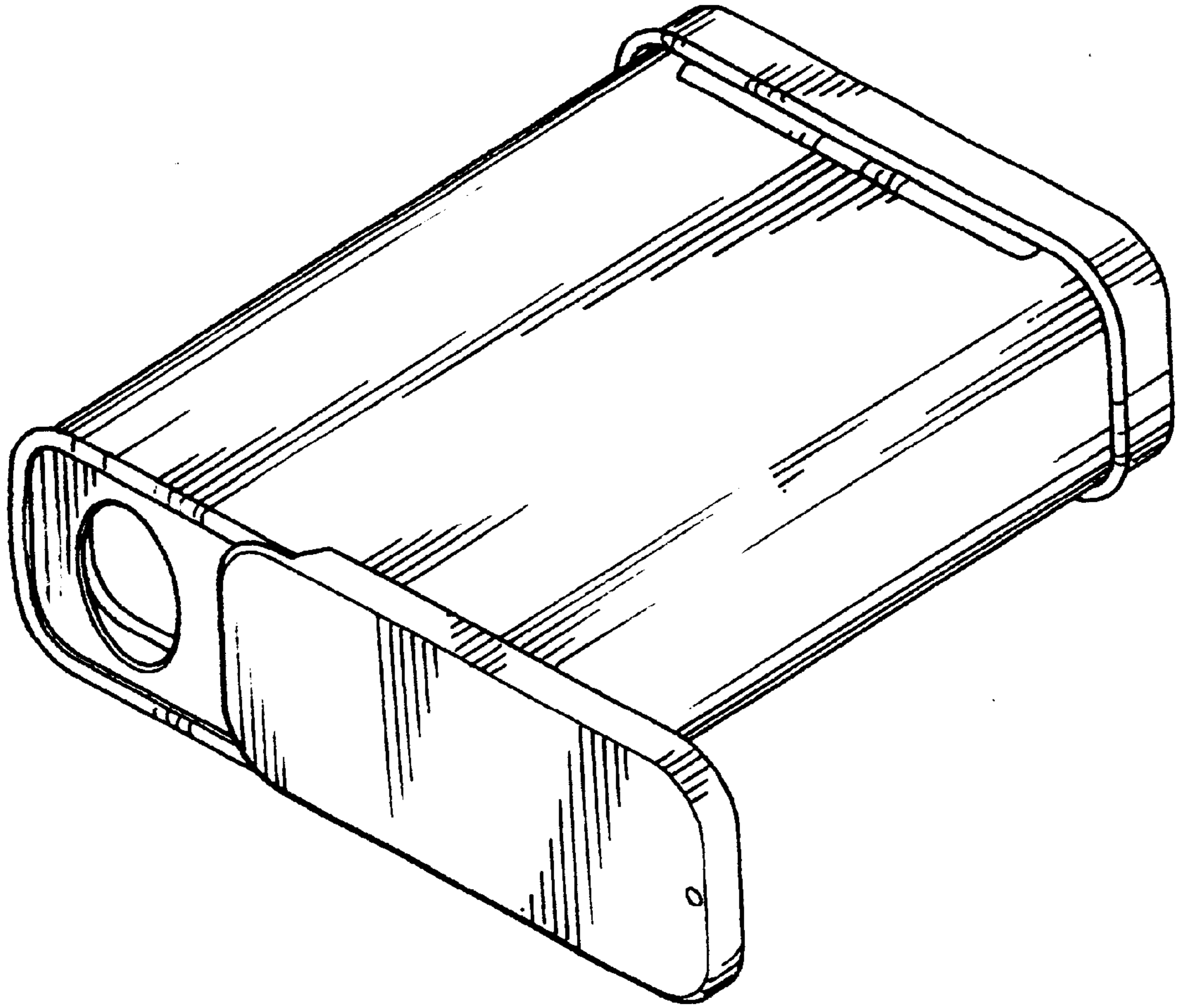


FIG. 7

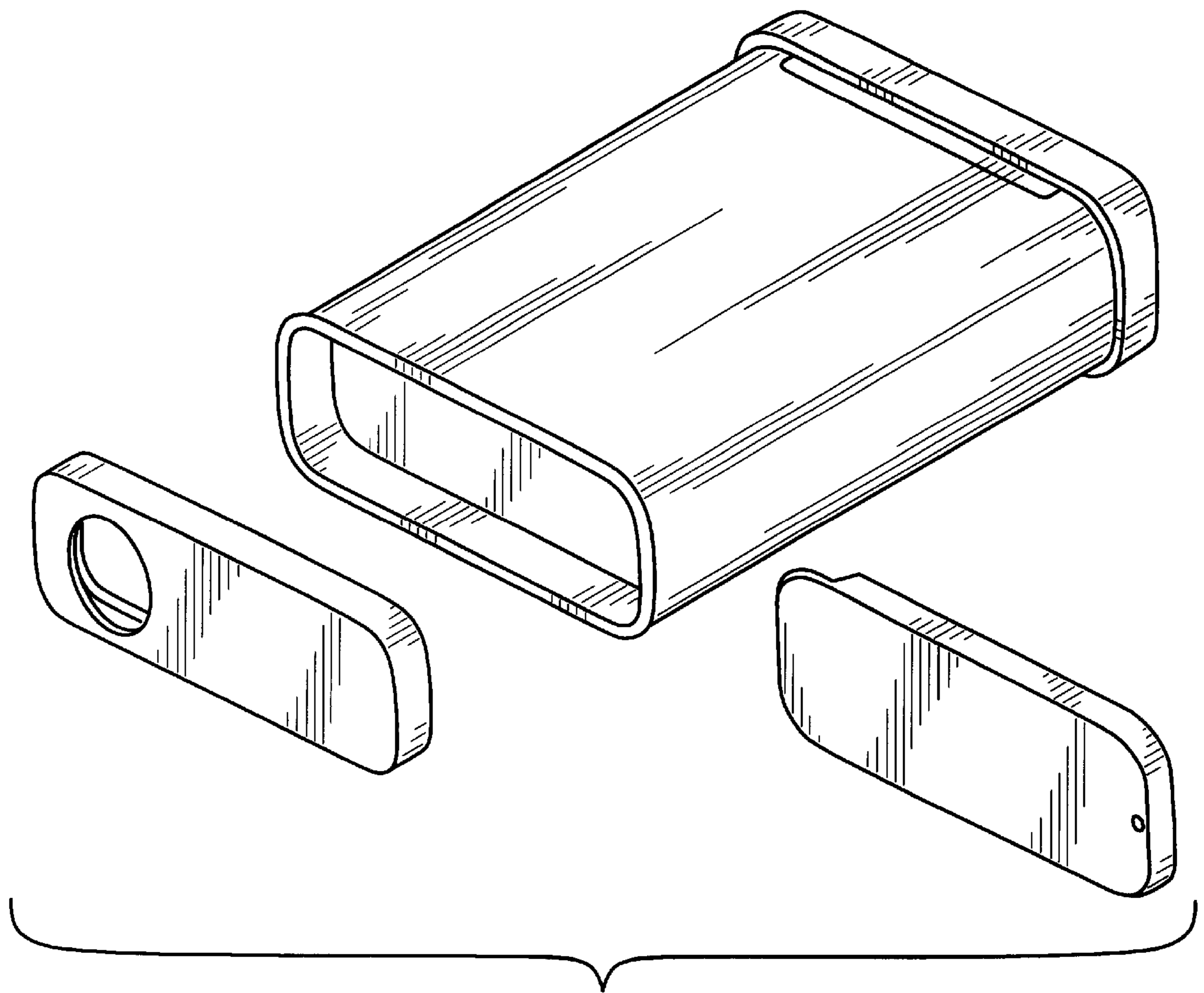


FIG. 8