



US00D473455S

(12) **United States Design Patent**
Goodman et al.

(10) **Patent No.:** **US D473,455 S**

(45) **Date of Patent:** **** Apr. 22, 2003**

(54) **HOOK RACK**

(75) Inventors: **Sheldon H. Goodman**, 30905 Stratford, Solon, OH (US) 44139; **Brian Stelmarski**, Mayfield Hts., OH (US)

(73) Assignee: **Sheldon H. Goodman**, Solon, OH (US)

(**) Term: **14 Years**

(21) Appl. No.: **29/168,309**

(22) Filed: **Sep. 30, 2002**

Related U.S. Application Data

(60) Division of application No. 29/158,698, filed on Apr. 8, 2002, which is a continuation-in-part of application No. 29/140,347, filed on Apr. 17, 2001.

(51) **LOC (7) Cl.** **08-05**

(52) **U.S. Cl.** **D8/372; D6/513**

(58) **Field of Search** D8/372, 367, 370, D8/373; D6/323, 513, 320; 248/301-304, 205.5, 206.2, 214, 309, 339, 322, 231.81, 399, 218.1, 497; 211/106, 106.01, 87.01, 181.1, 119

(56) **References Cited**

U.S. PATENT DOCUMENTS

257,533 A	*	5/1882	Taylor	248/303
305,861 A	*	9/1884	Taylor	248/303
661,557 A	*	11/1900	Schwab	52/27
670,680 A	*	3/1901	Marek, Jr.	248/303
914,639 A	*	3/1909	Cormeny	160/370
D275,629 S	*	9/1984	Einhorn	D8/372
D343,112 S		1/1994	Corbin	D8/367
D355,841 S	*	2/1995	Goodman et al.	D8/372

5,531,334 A	*	7/1996	Forby	211/119
D401,840 S		12/1998	Goodman et al.	D8/367
D408,723 S		4/1999	Goodman et al.	D8/367
D409,398 S		5/1999	Sweetman	D6/323
D409,399 S		5/1999	Robinson	D6/323
D421,355 S	*	3/2000	Goodman et al.	D6/513
D431,451 S		10/2000	Kuo	D8/367
D435,786 S		1/2001	Goodman et al.	D8/372
D435,971 S		1/2001	Solowiej	D6/323
D436,839 S		1/2001	Goodman et al.	D8/372
D439,143 S		3/2001	Goodman et al.	D8/372
D452,642 S		1/2002	Goodman et al.	D8/367
D455,947 S		4/2002	Goodman et al.	D8/367
D456,695 S		5/2002	Goodman et al.	D8/367
D461,706 S		8/2002	Goodman et al.	D8/372

* cited by examiner

Primary Examiner—Pamela Burgess

(74) *Attorney, Agent, or Firm*—Pearne & Gordon LLP

(57) **CLAIM**

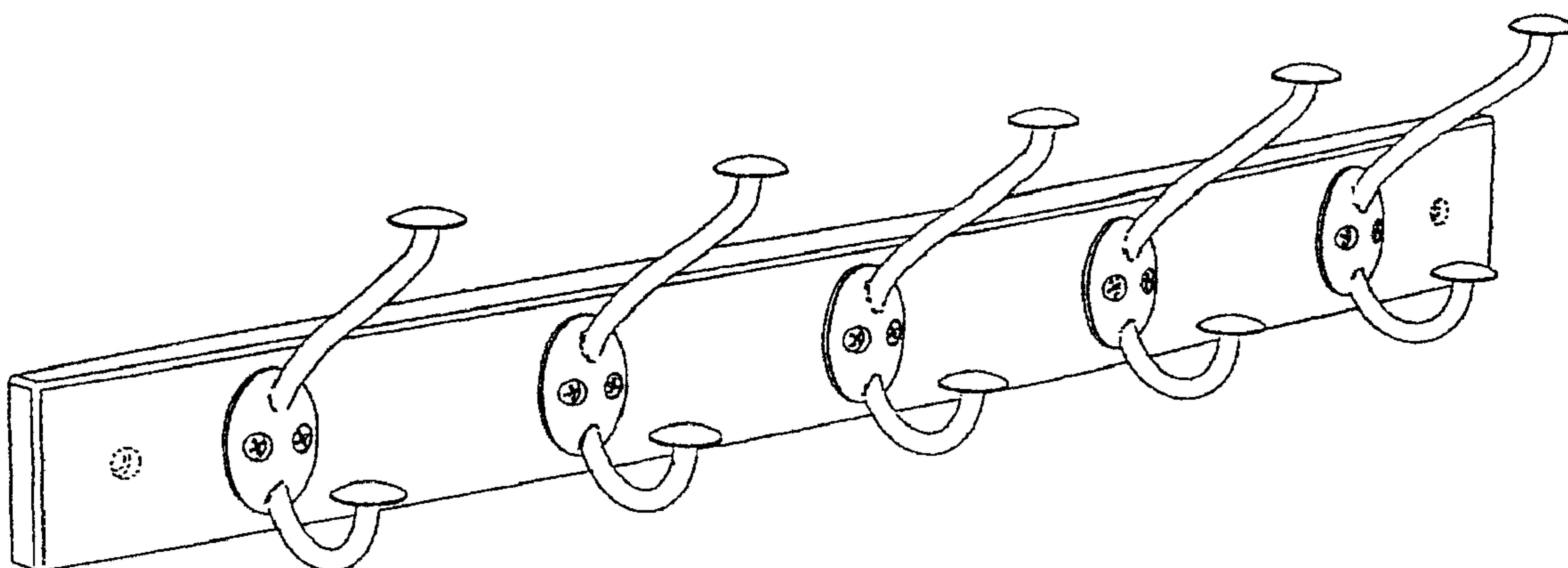
The ornamental design for a hook rack, as shown and described.

DESCRIPTION

FIG. 1 is a front, side and top perspective view of a hook rack showing our new design; FIG. 2 is a front elevational view thereof; FIG. 3 is a top plan view thereof; FIG. 4 is a side elevational view thereof; FIG. 5 is a bottom plan view thereof; and, FIG. 6 is a rear elevational view thereof.

The broken-line disclosure of elements in the views is for illustrative purposes only and forms no part of the claimed design.

1 Claim, 2 Drawing Sheets



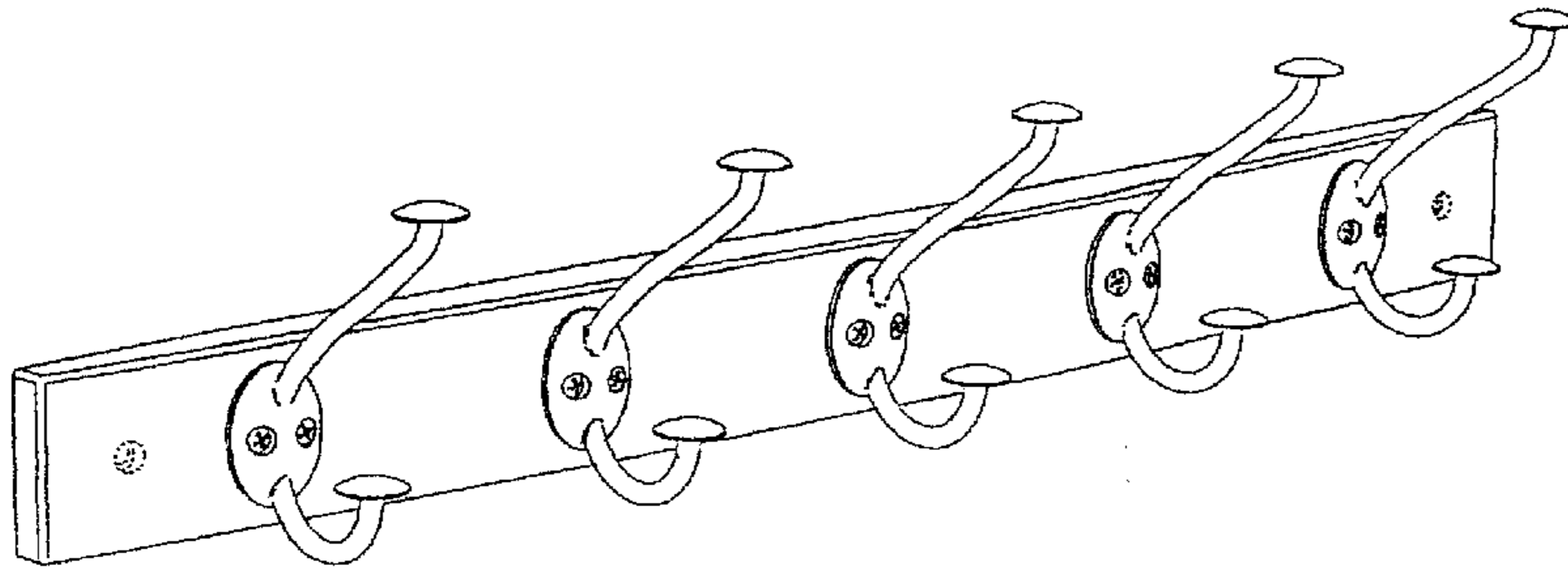


Fig. 1

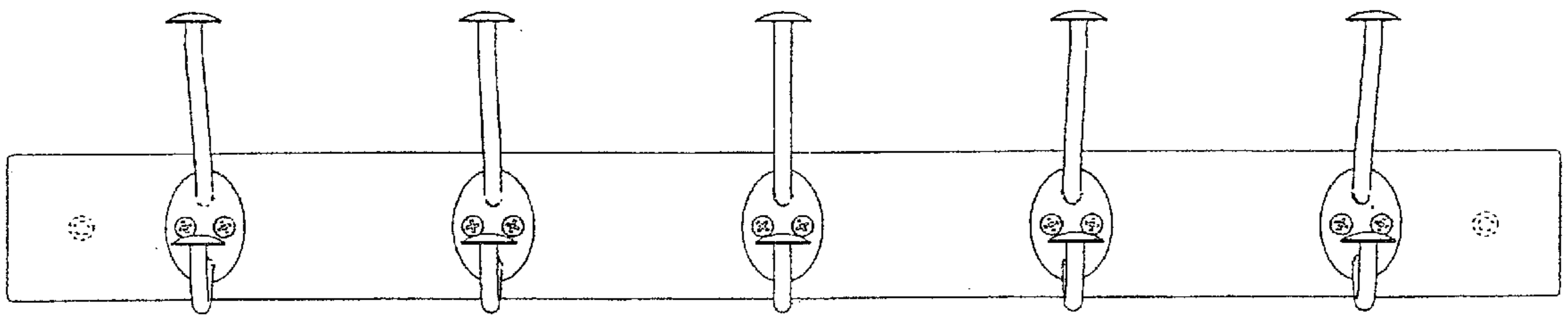
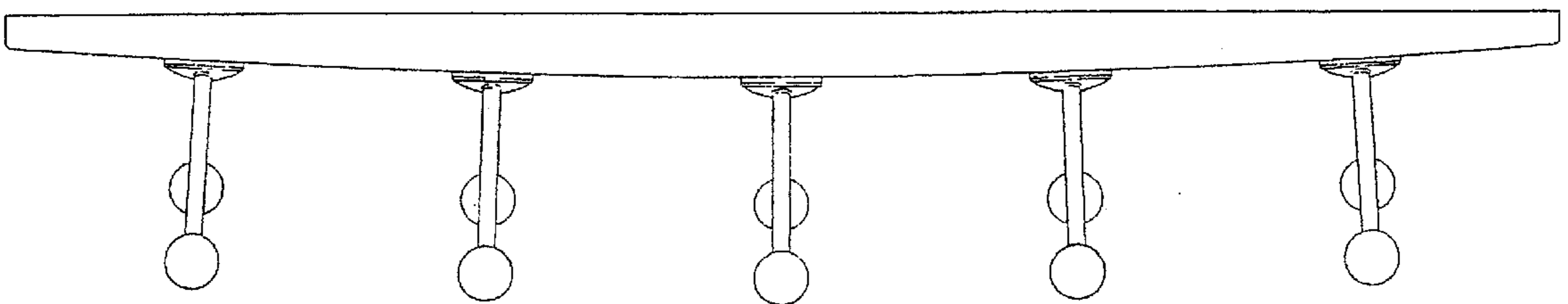


Fig. 2

Fig. 3



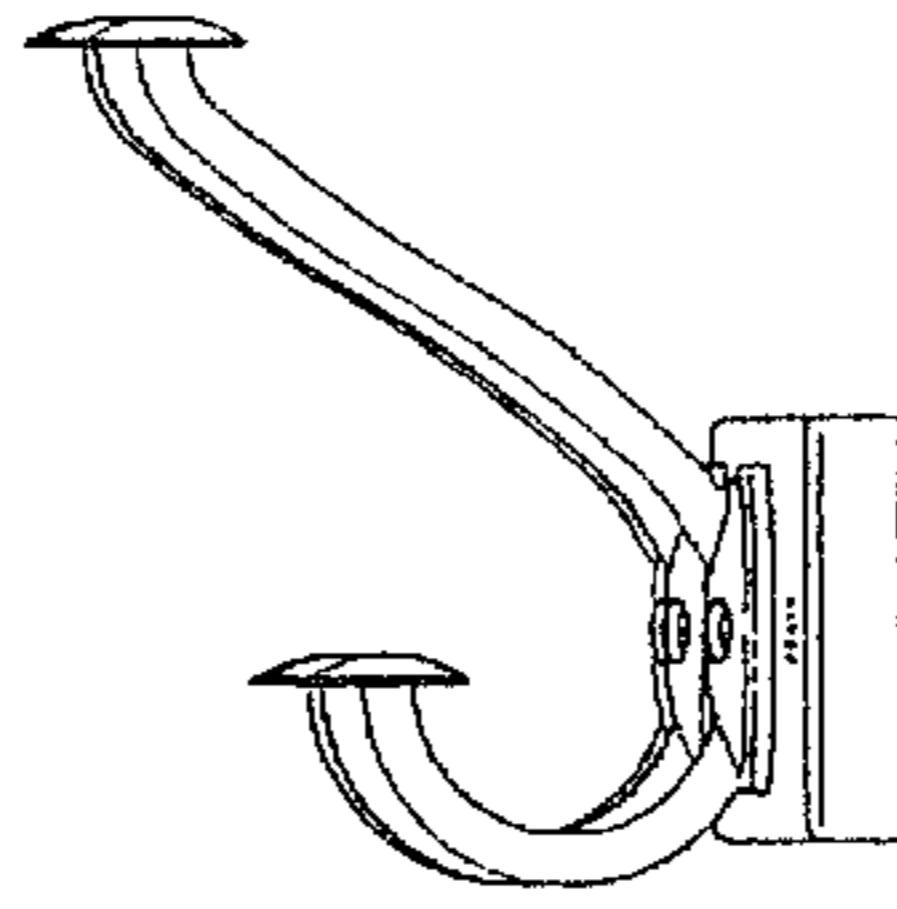


Fig. 4

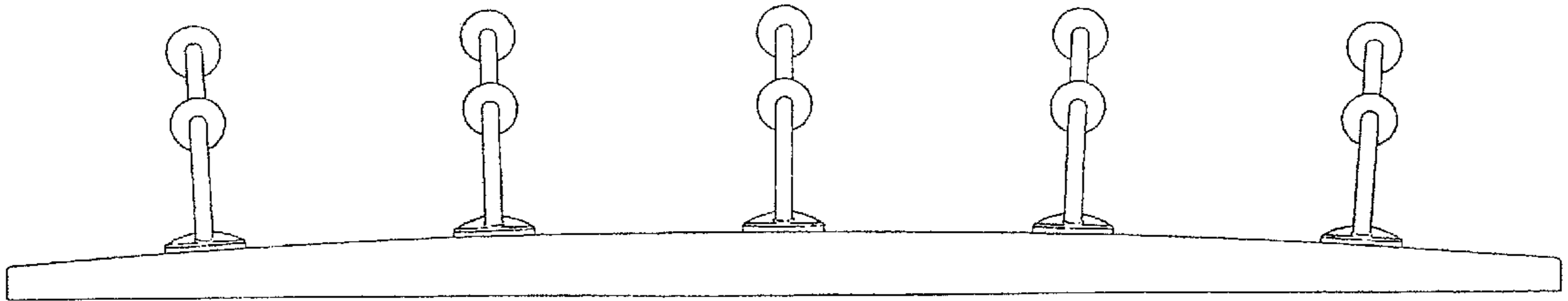


Fig. 5

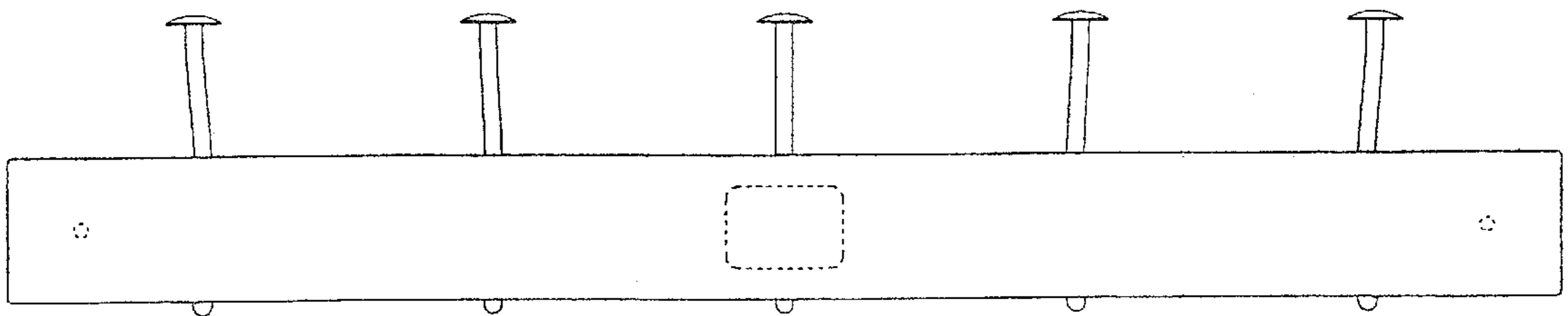


Fig. 6