



US00D473454S

(12) **United States Design Patent**
Goodman et al.

(10) **Patent No.:** **US D473,454 S**

(45) **Date of Patent:** **** Apr. 22, 2003**

(54) **HOOK**

(75) Inventors: **Sheldon H. Goodman**, 30905 Stratford, Solon, OH (US) 44139; **Brian Stelmarski**, Mayfield Hts., OH (US)

(73) Assignee: **Sheldon H. Goodman**, Solon, OH (US)

(**) Term: **14 Years**

(21) Appl. No.: **29/167,145**

(22) Filed: **Sep. 10, 2002**

(51) **LOC (7) Cl.** **08-05**

(52) **U.S. Cl.** **D8/370; D8/372**

(58) **Field of Search** D8/373, 367, 368; D6/565, 323; D3/328; D11/44; 211/113, 86.01, 106.01, 13.1, 32, 119, 181.1, 106; 248/301-305, 309.1, 339, 341, 914, 497, 205.5, 206.2, 214, 309, 322, 223.41, 321.81

(56) **References Cited**

U.S. PATENT DOCUMENTS

907,904 A	*	12/1908	Billings	152/285
D152,598 S	*	2/1949	Cronen	D6/565
D206,587 S	*	1/1967	Nathanson	D8/367
D324,314 S	*	3/1992	Licari et al.	D6/323

* cited by examiner

Primary Examiner—Pamela Burgess

(74) *Attorney, Agent, or Firm*—Pearne & Gordon LLP

(57) **CLAIM**

The ornamental design for a hook, as shown and described.

DESCRIPTION

FIG. 1 is a front, side and top perspective view of a hook showing our new design;

FIG. 2 is a side elevational view thereof;

FIG. 3 is a front elevational view thereof;

FIG. 4 is a rear elevational view thereof;

FIG. 5 is a top plan view thereof; and

FIG. 6 is a bottom plan view thereof;

FIG. 7 is a front, side and top perspective view of a second embodiment of a hook, showing a three-hook style;

FIG. 8 is a side elevational view thereof;

FIG. 9 is a front elevational view thereof;

FIG. 10 is a rear elevational view thereof;

FIG. 11 is a top plan view thereof; and

FIG. 12 is a bottom plan view thereof;

FIG. 13 is a front, side and top perspective view of a third embodiment of a hook, showing a five-hook style;

FIG. 14 is a side elevational view thereof;

FIG. 15 is a front elevational view thereof;

FIG. 16 is a rear elevational view thereof;

FIG. 17 is a top plan view thereof; and

FIG. 18 is a bottom plan view thereof;

FIG. 19 is a front, side and top perspective view of a fourth embodiment of an over-the-door hook similar to the embodiment of FIG. 1, showing our new design;

FIG. 20 is a side elevational view thereof;

FIG. 21 is a front elevational view thereof;

FIG. 22 is a rear elevational view thereof;

FIG. 23 is a top plan view thereof; and

FIG. 24 is a bottom plan view thereof;

FIG. 25 is a front, side and top perspective view of a fifth embodiment of an over-the-door hook similar to the embodiment of FIG. 13, showing our new design;

FIG. 26 is a side elevational view thereof;

FIG. 27 is a front elevational view thereof;

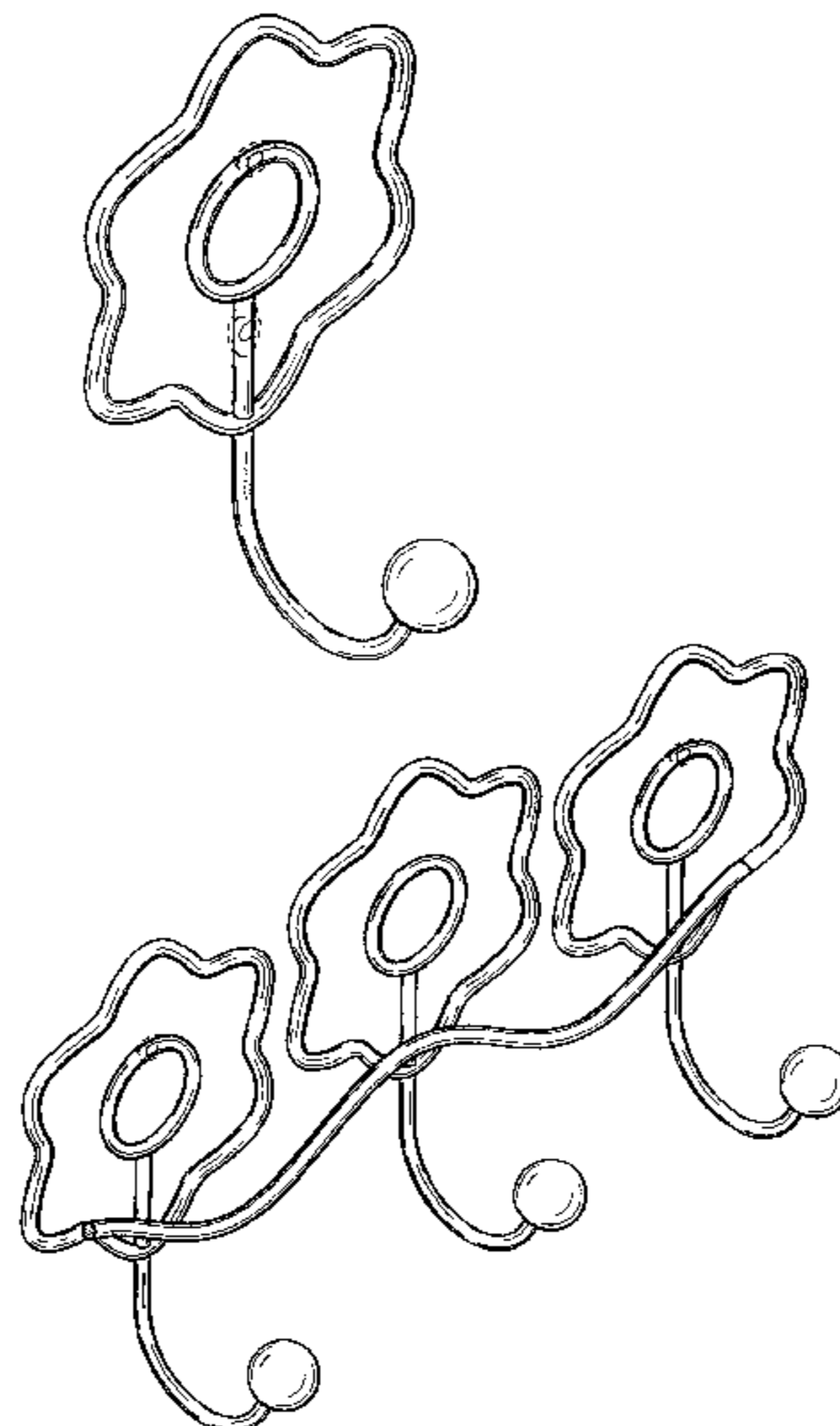
FIG. 28 is a rear elevational view thereof;

FIG. 29 is a top plan view thereof; and,

FIG. 30 is a bottom plan view thereof.

The broken-line disclosure of elements in the views is for illustrative purposes only and forms no part of the claimed design.

1 Claim, 9 Drawing Sheets



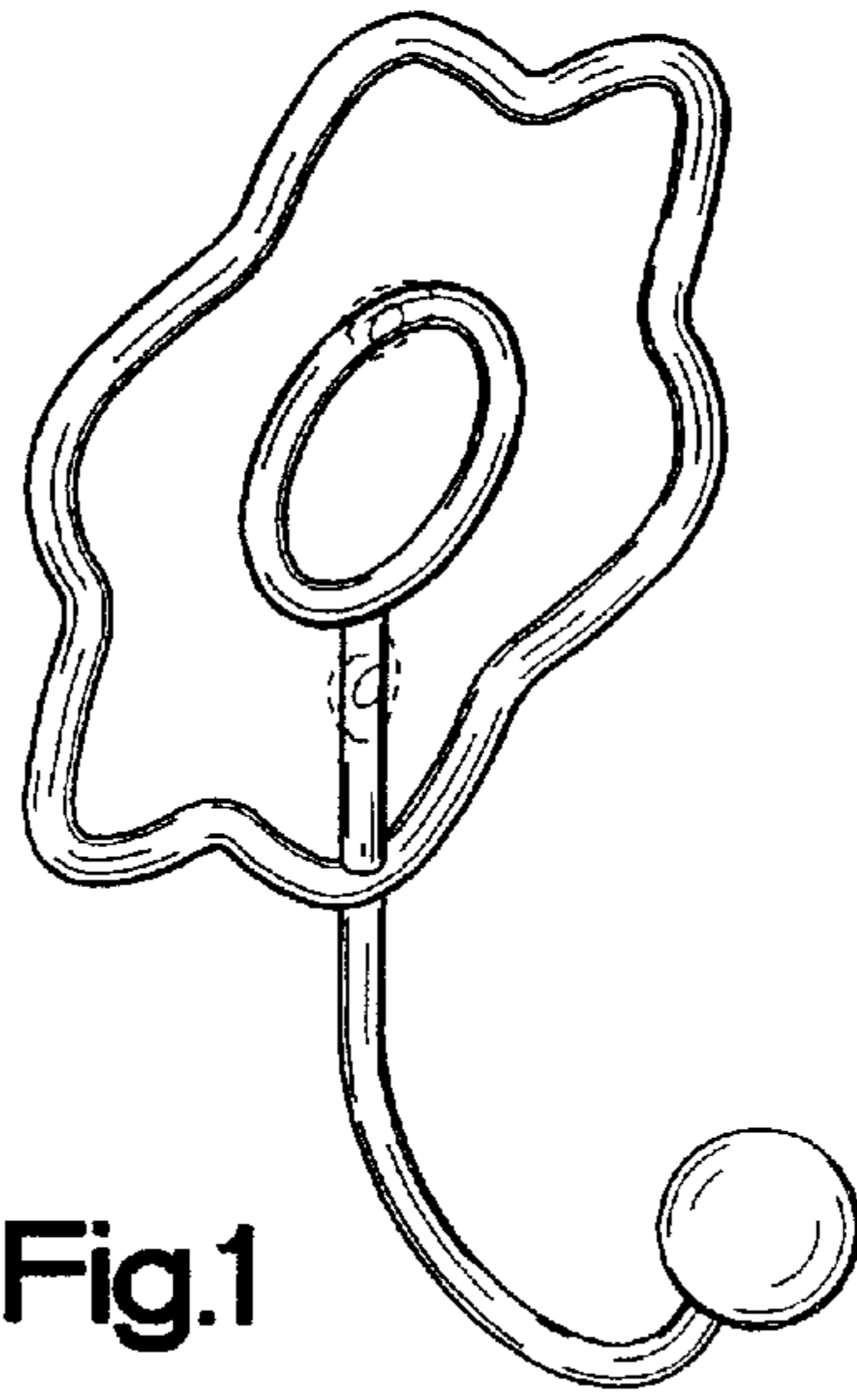


Fig.1

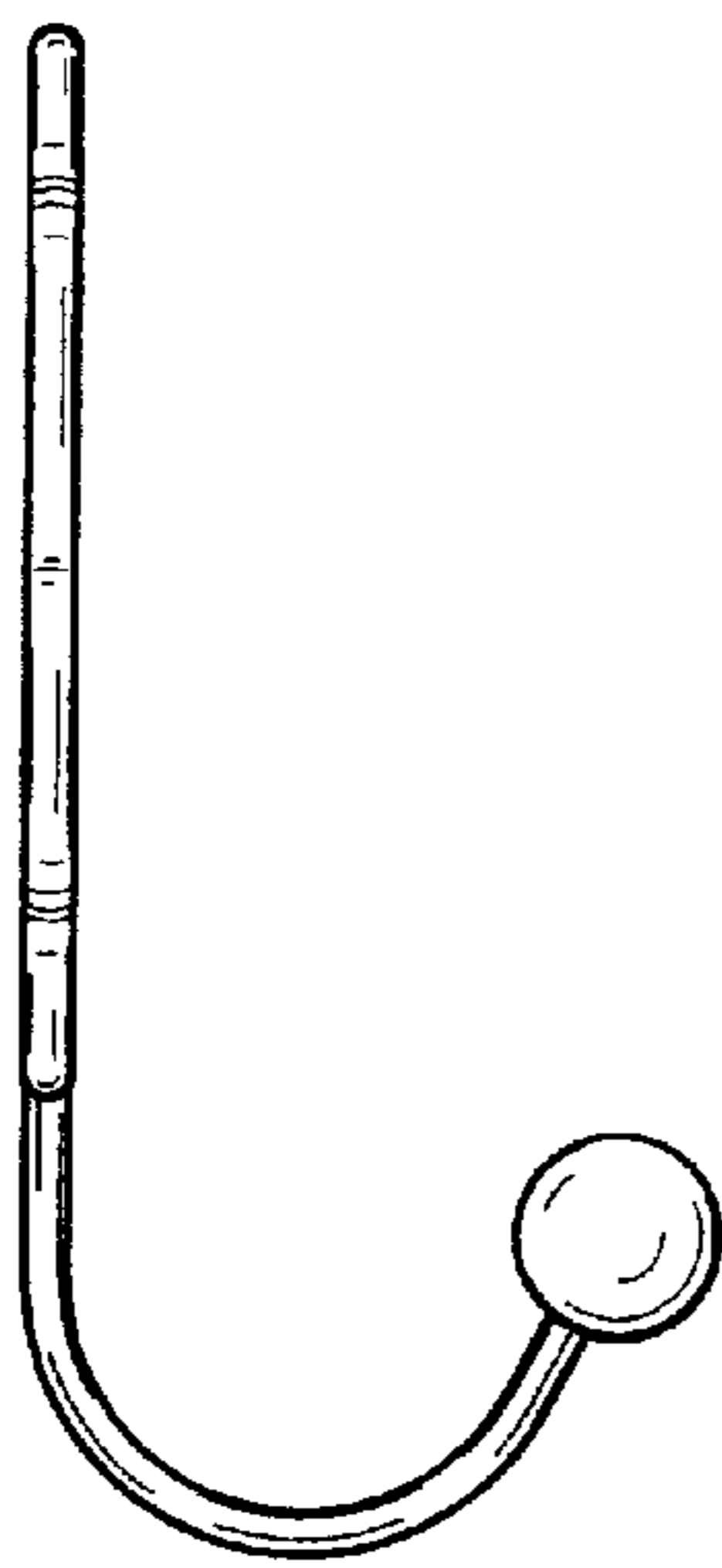


Fig.2

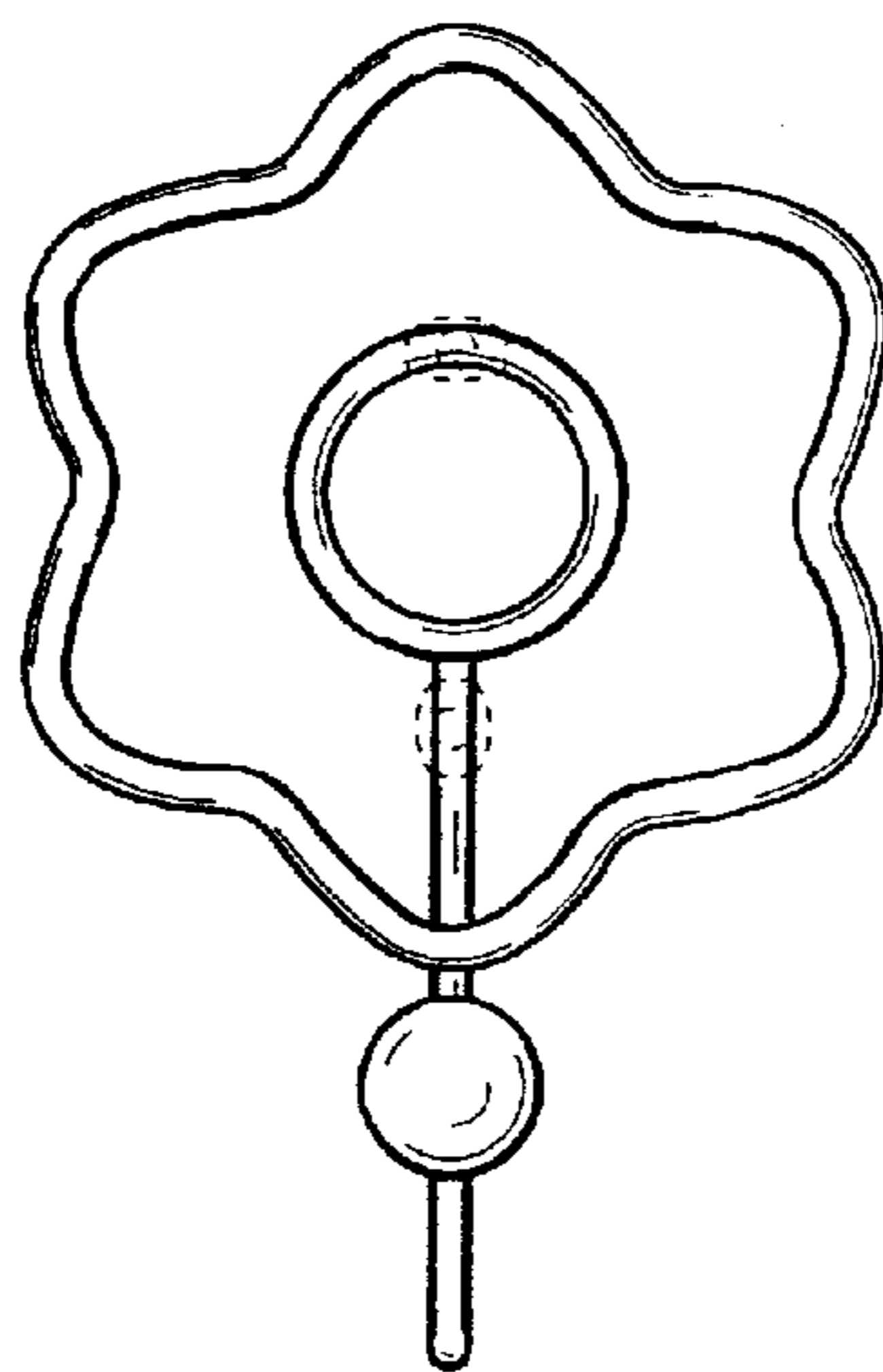


Fig.3

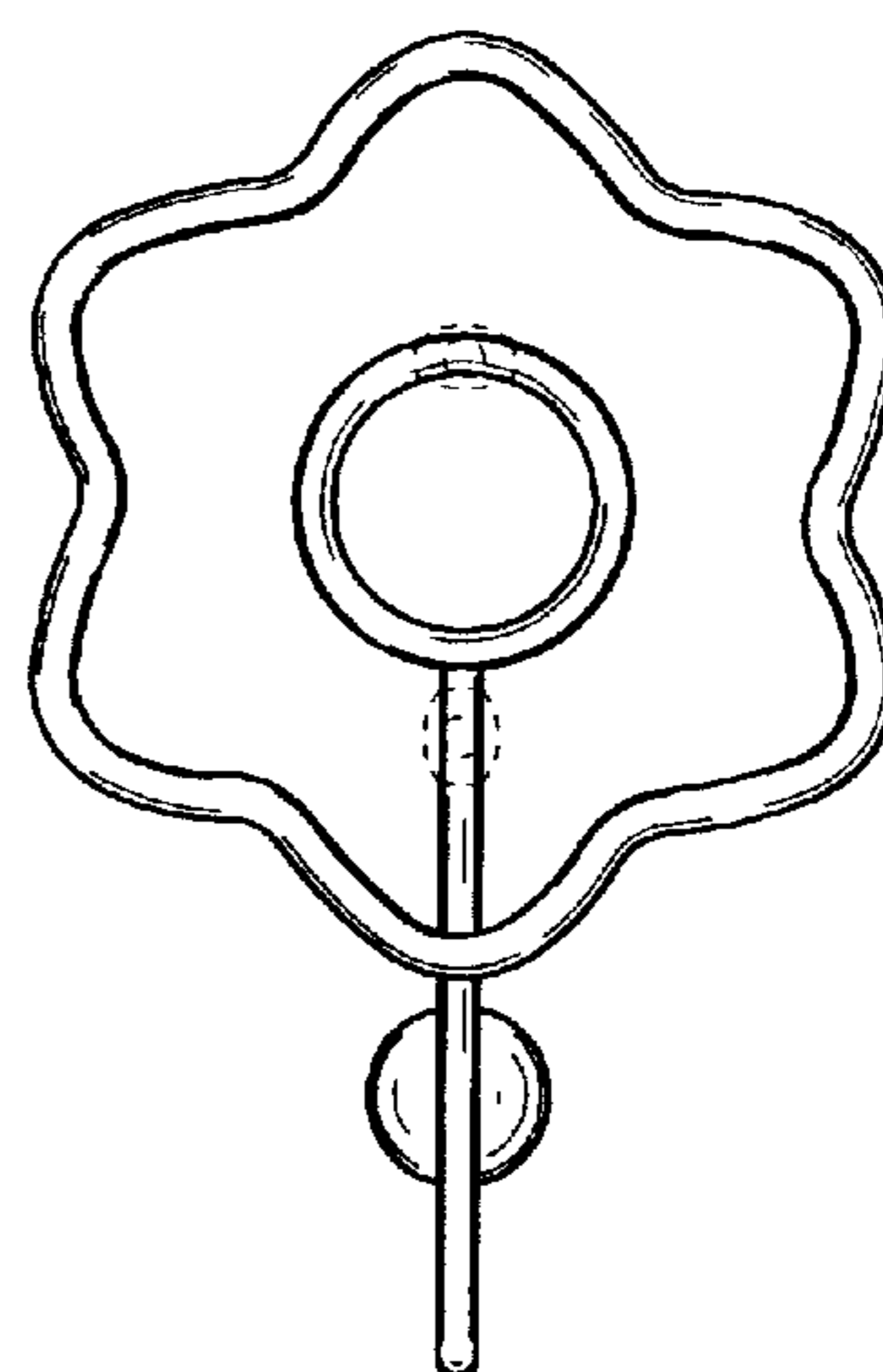


Fig.4

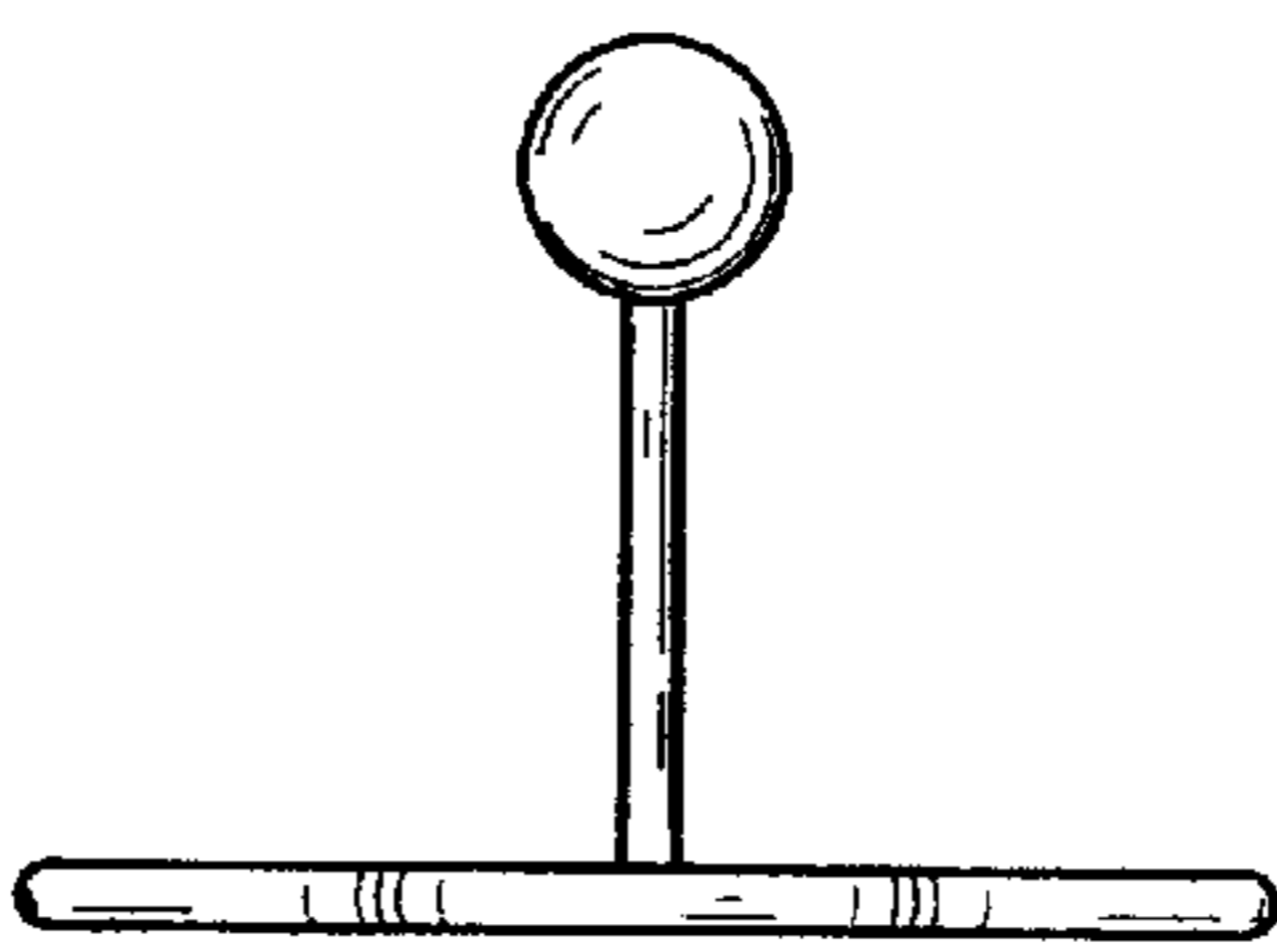


Fig.5

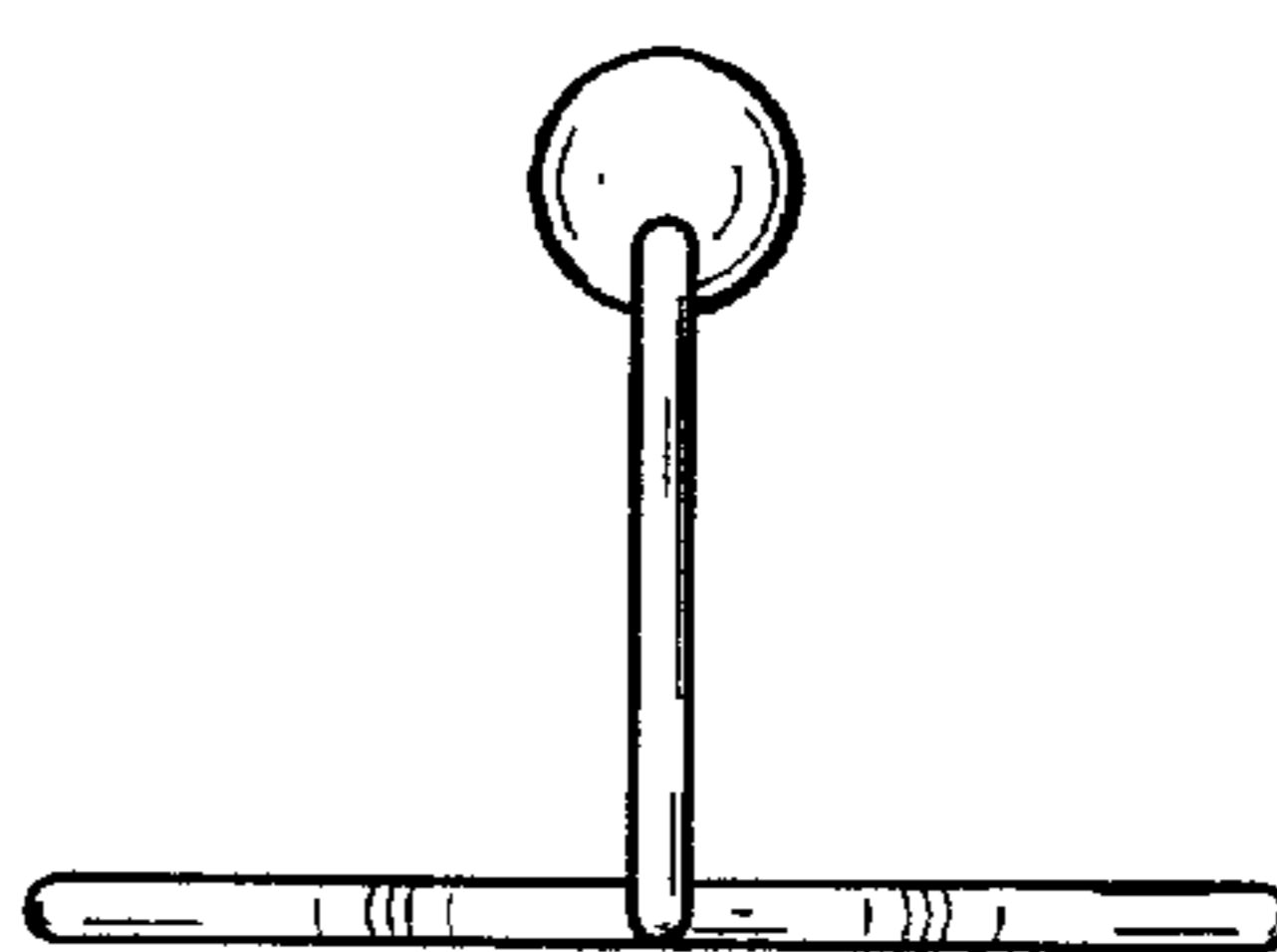


Fig.6

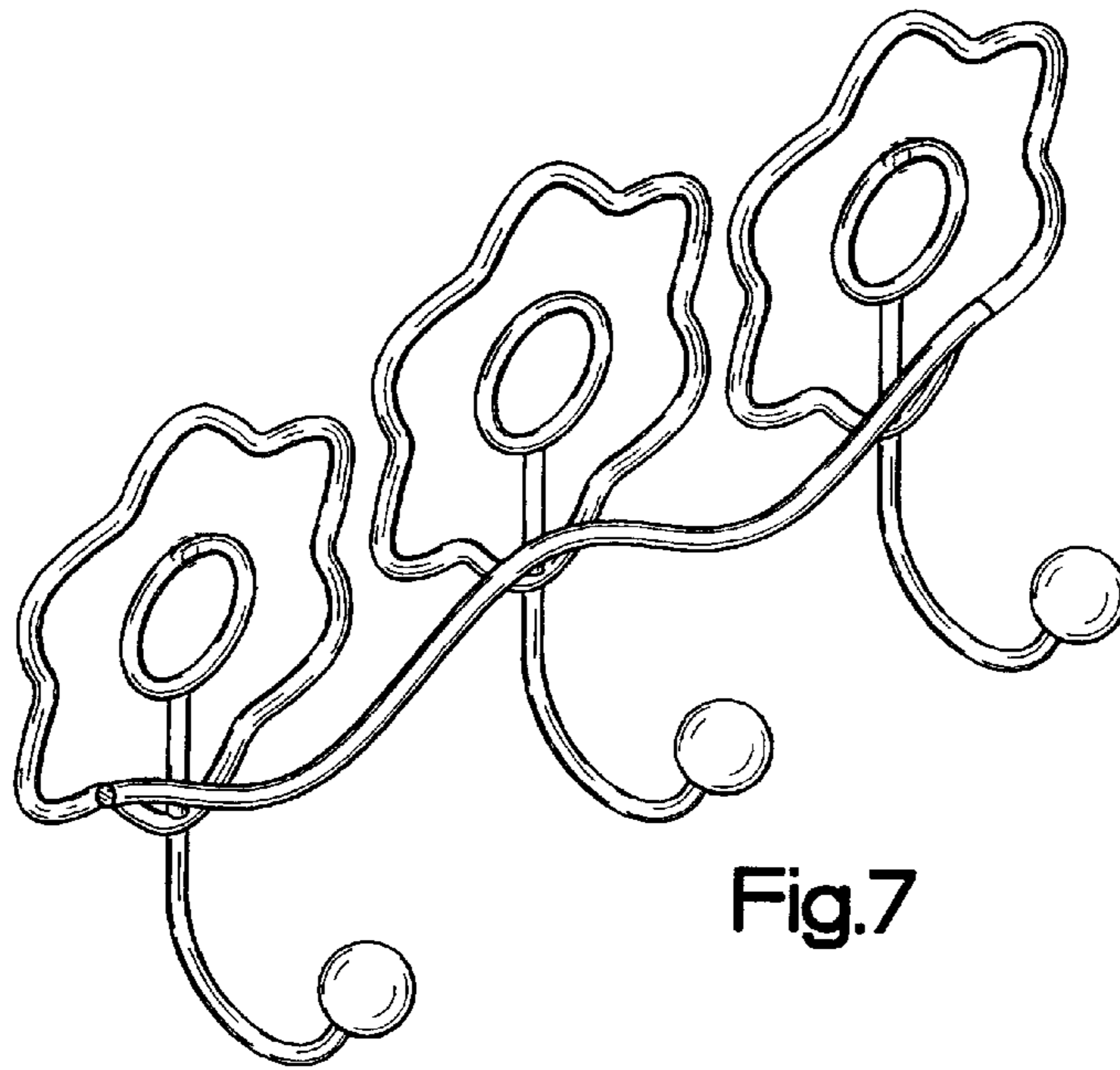


Fig.7

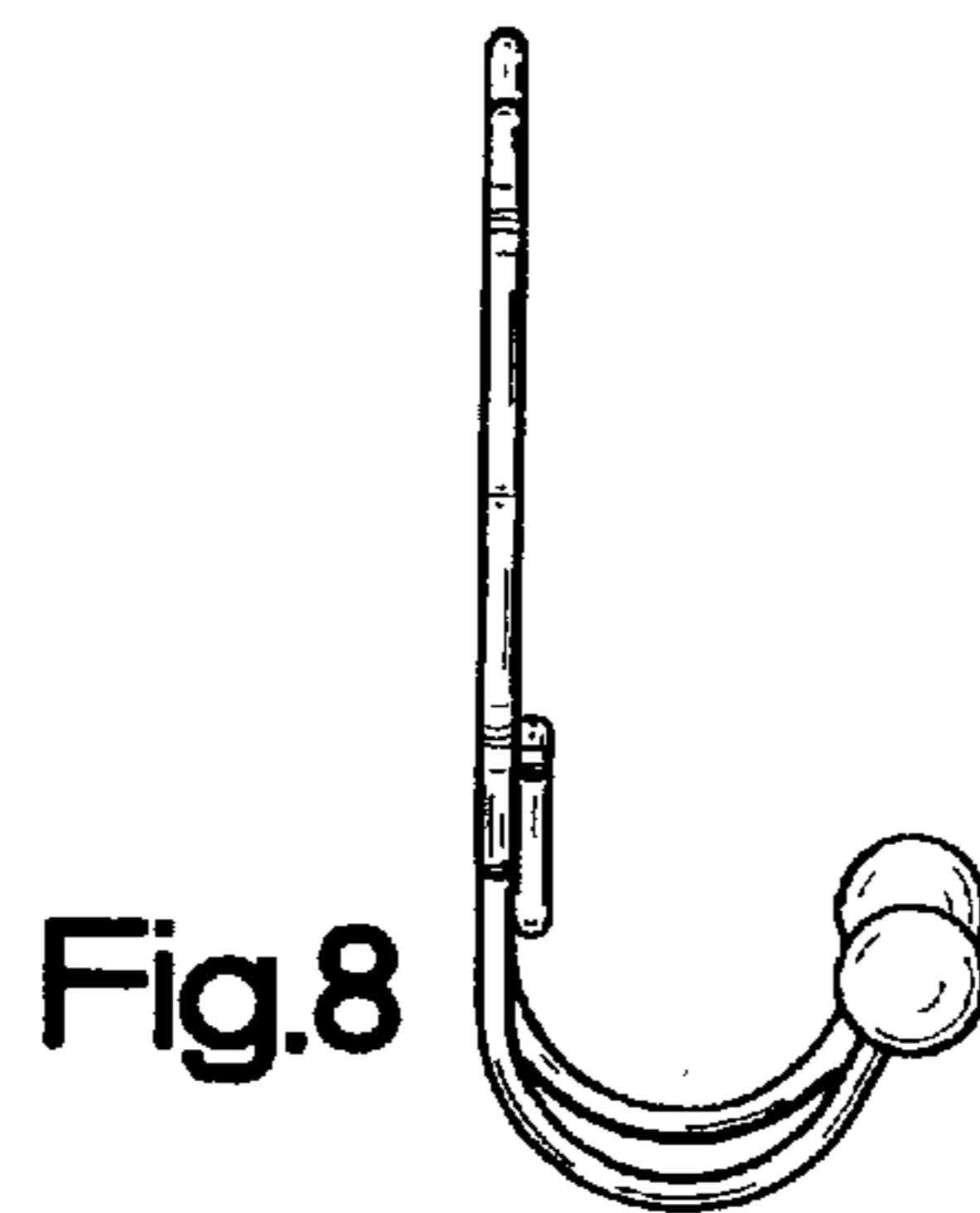


Fig.8

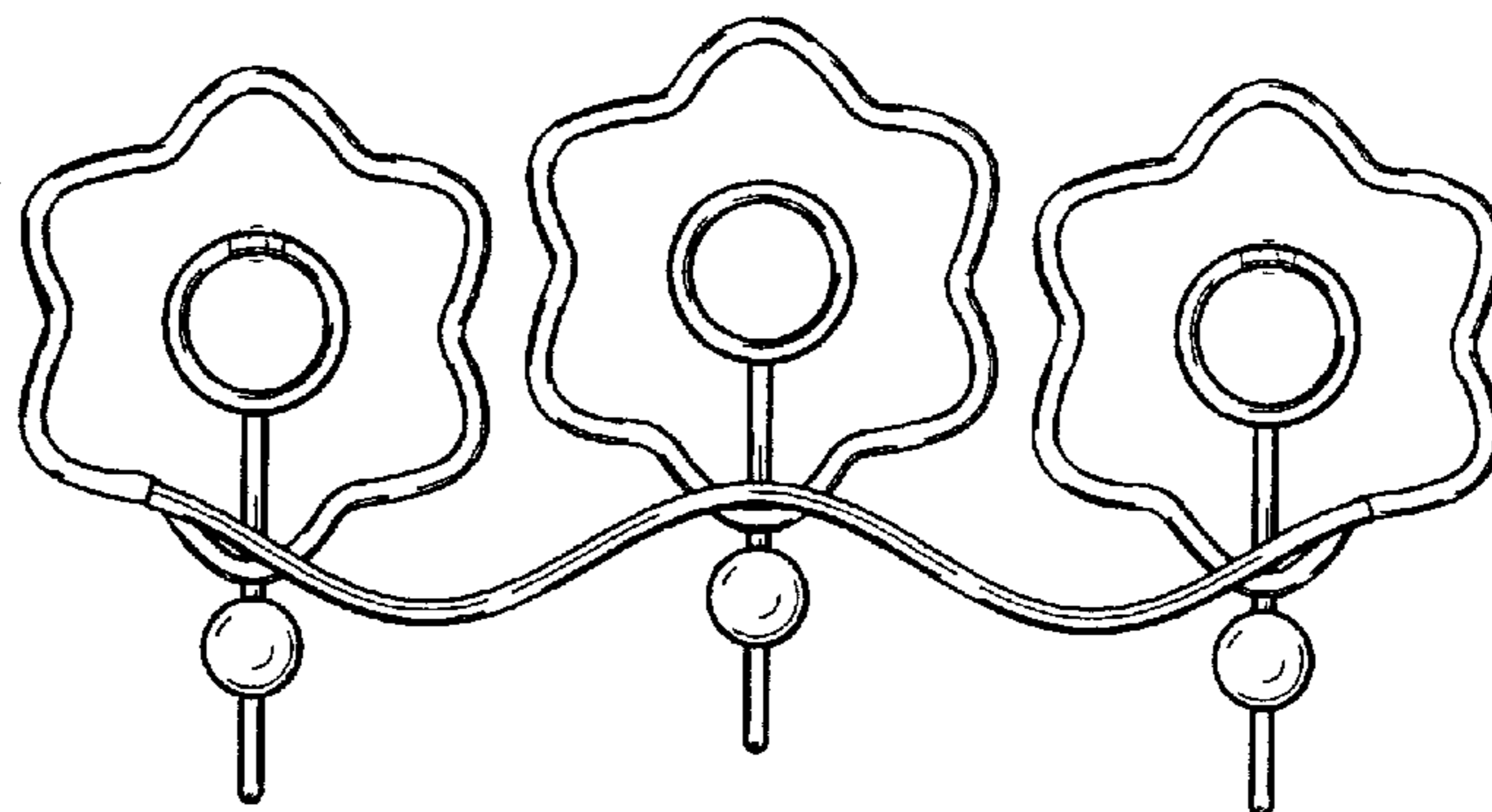


Fig.9

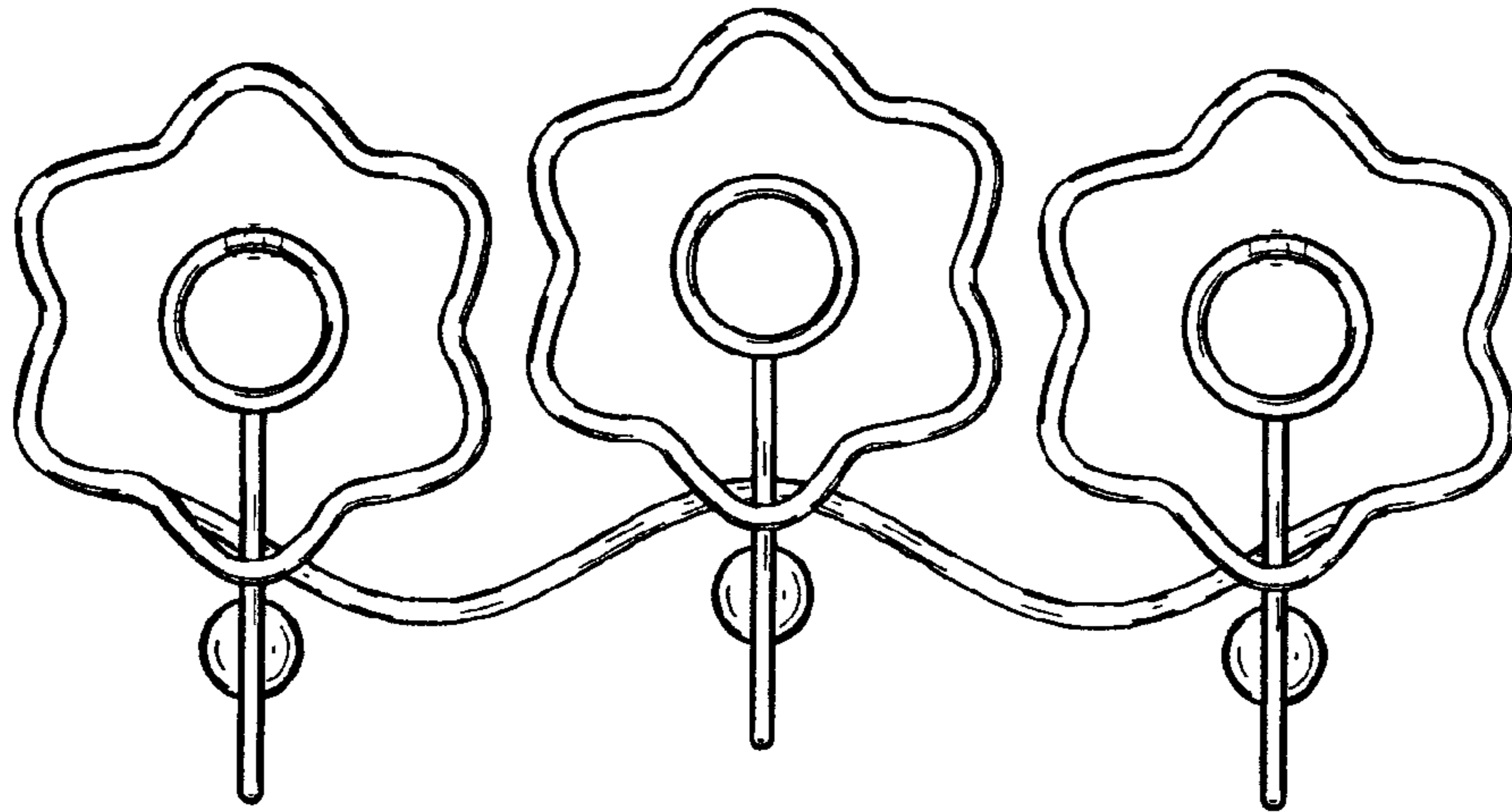


Fig.10

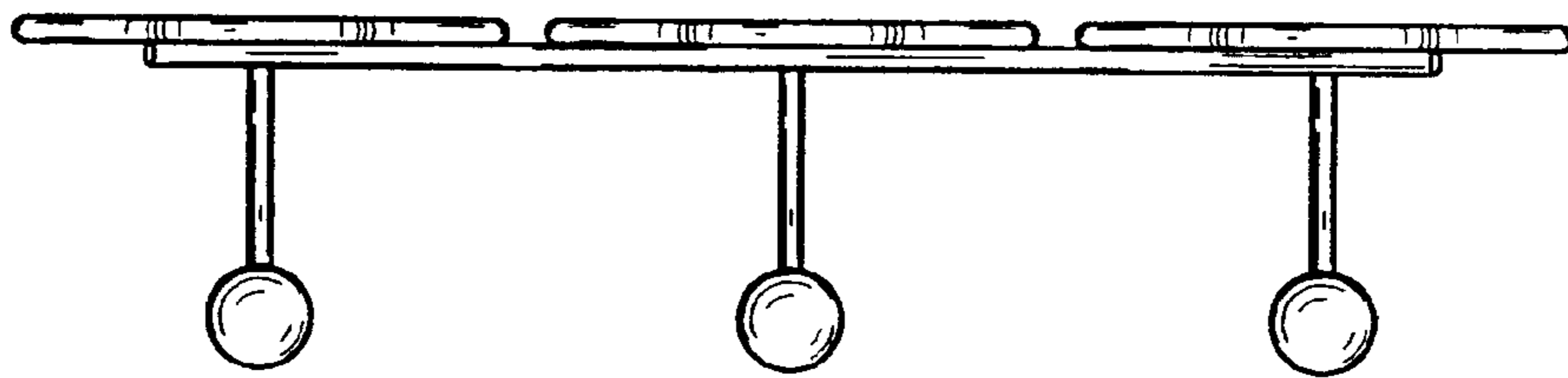


Fig.11

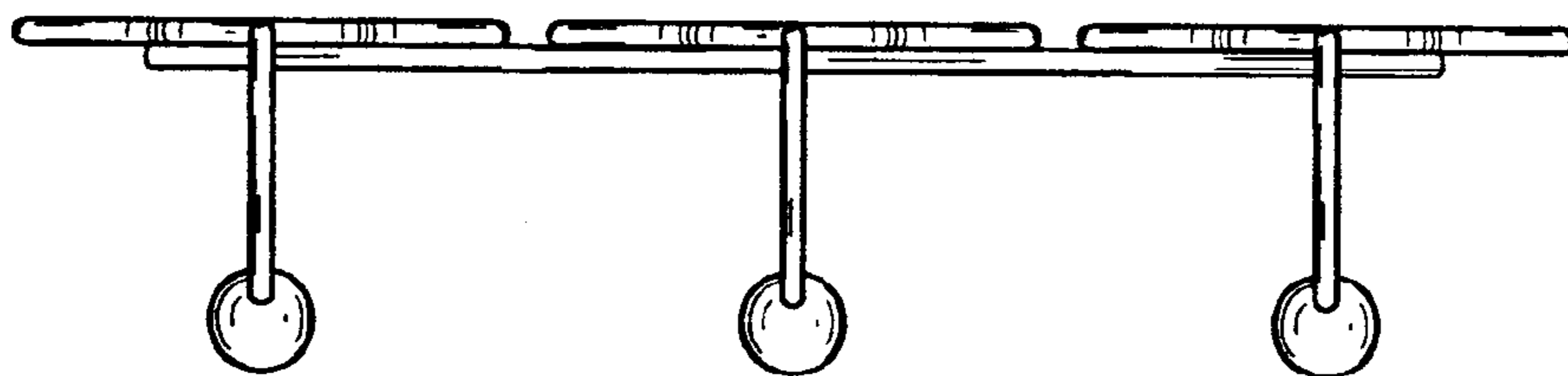


Fig.12

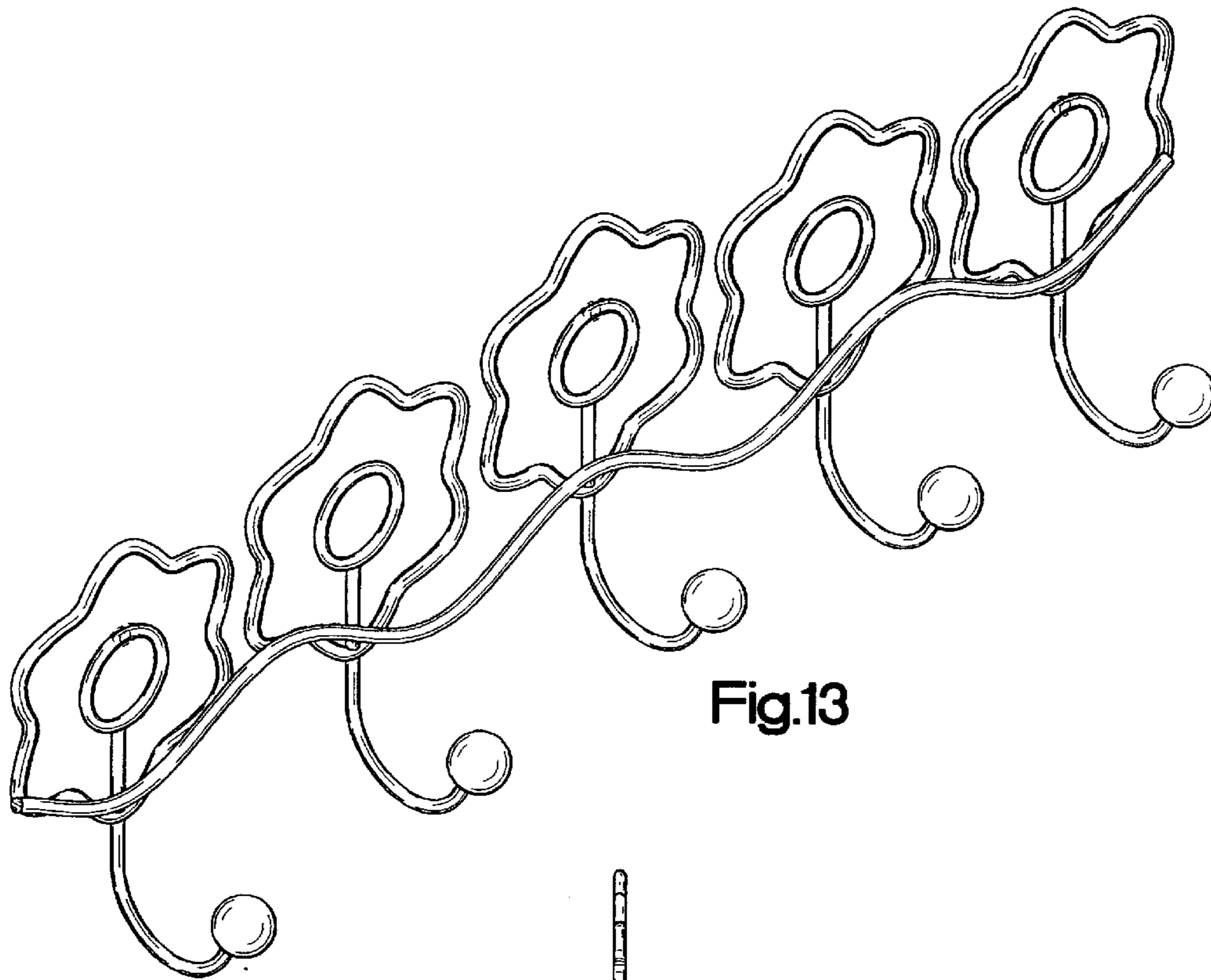


Fig.13

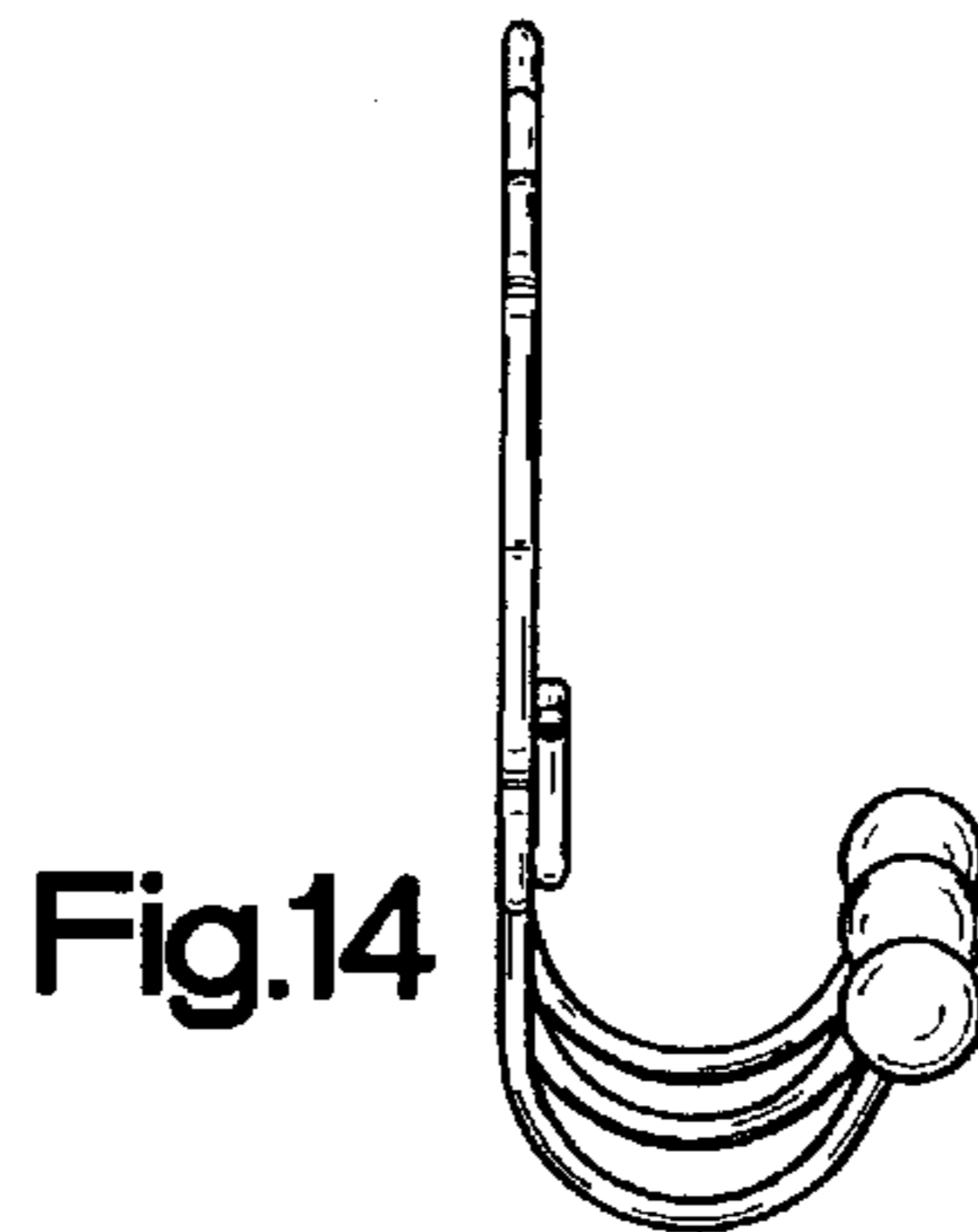


Fig.14

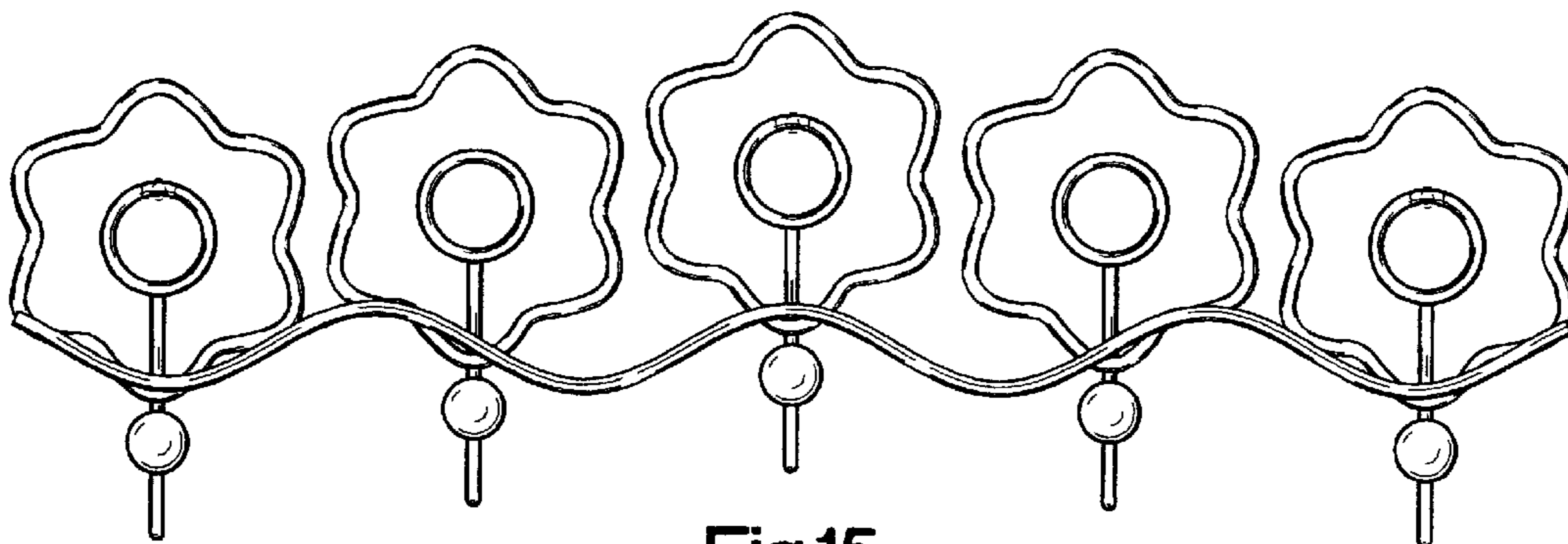


Fig.15

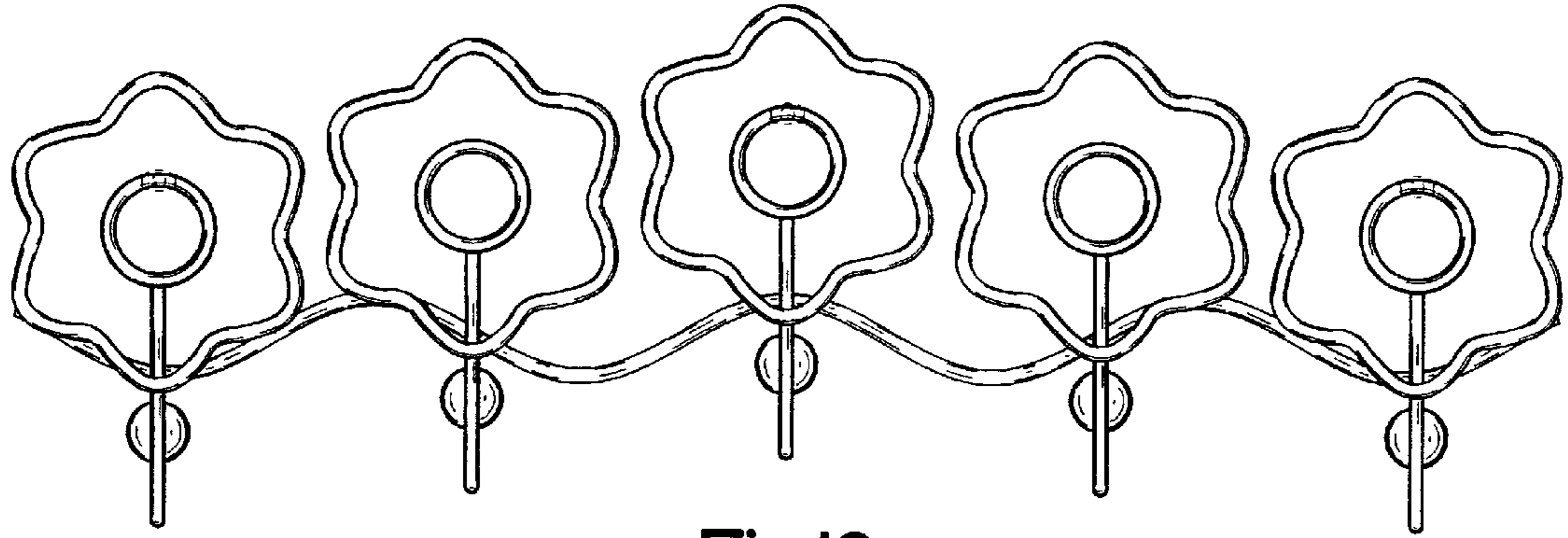


Fig.16

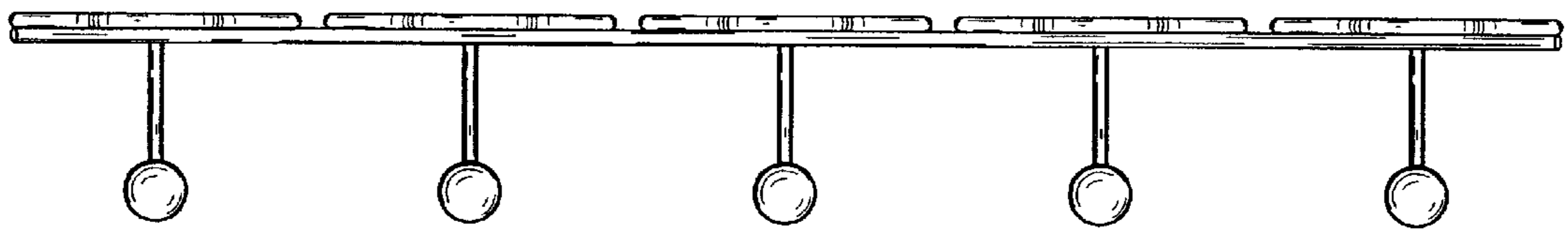


Fig.17

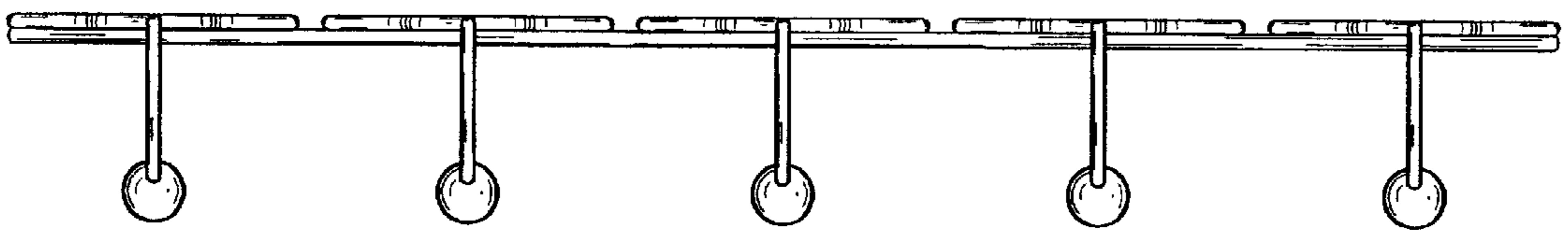
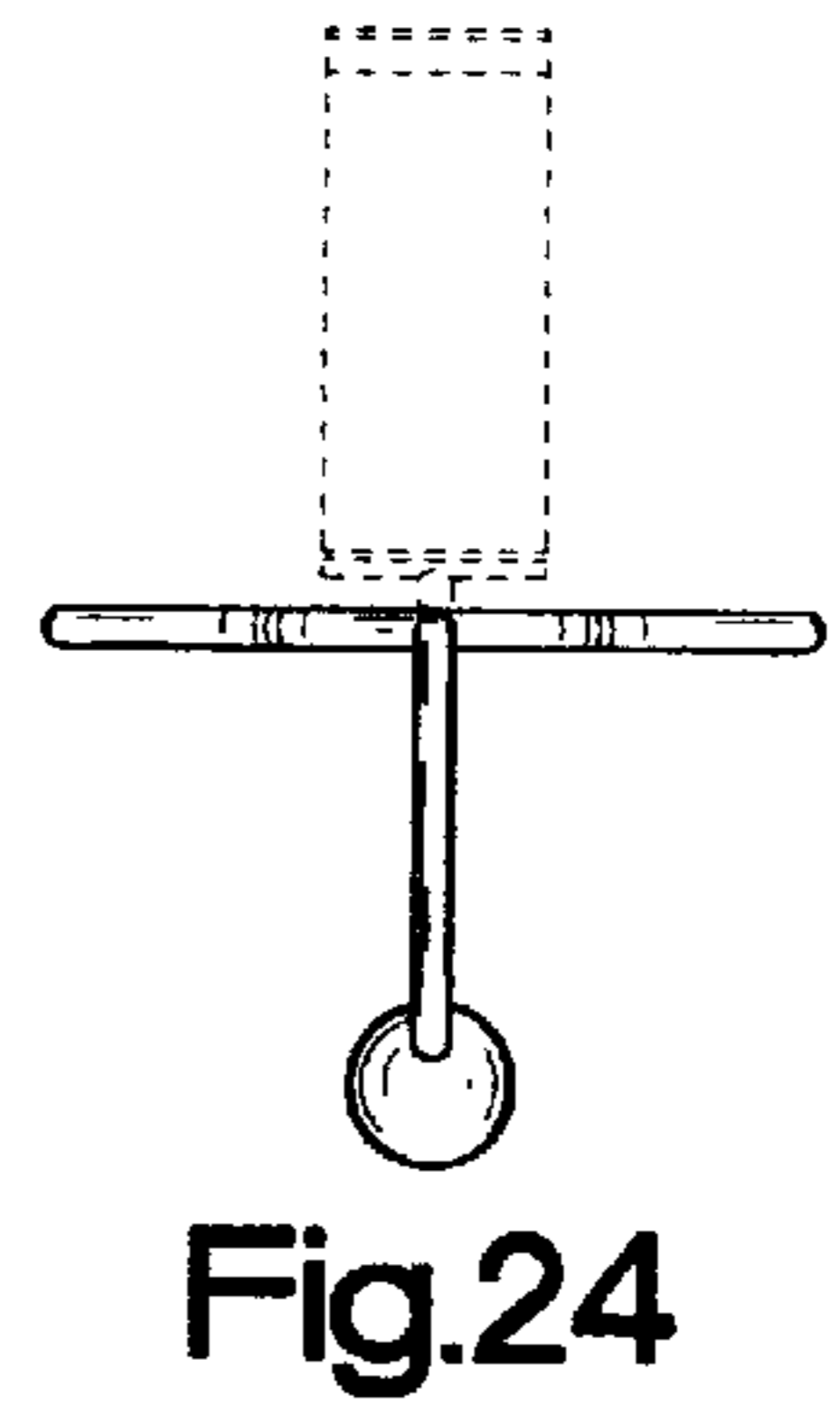
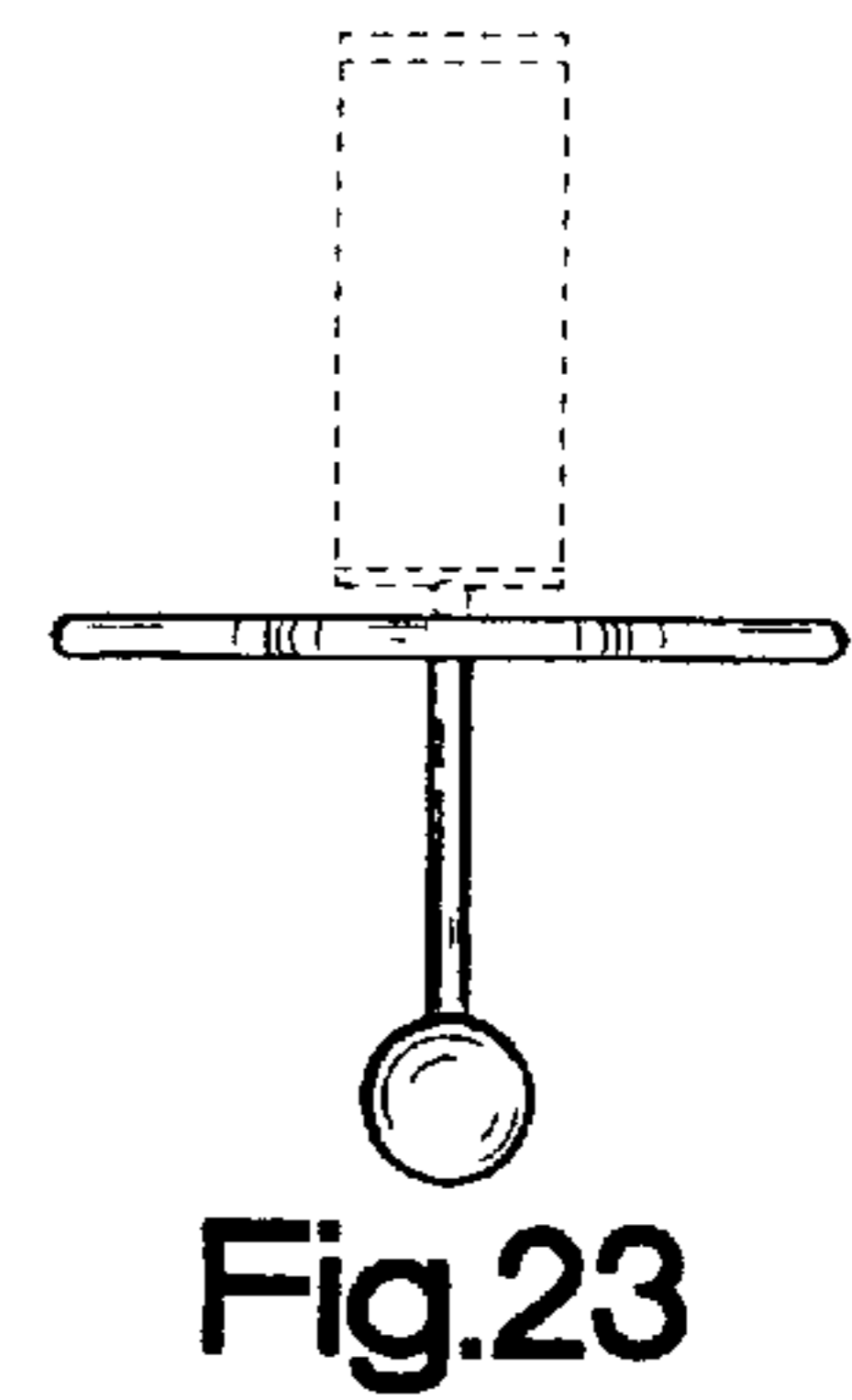
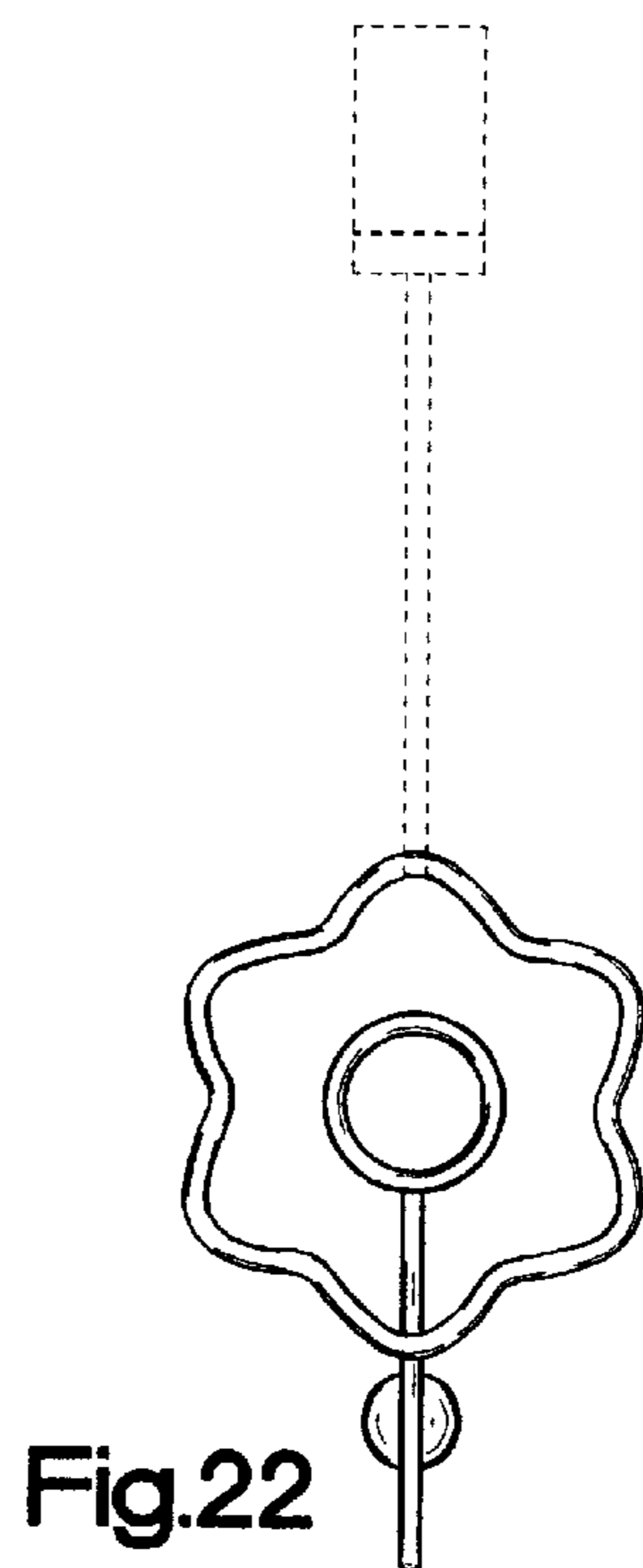
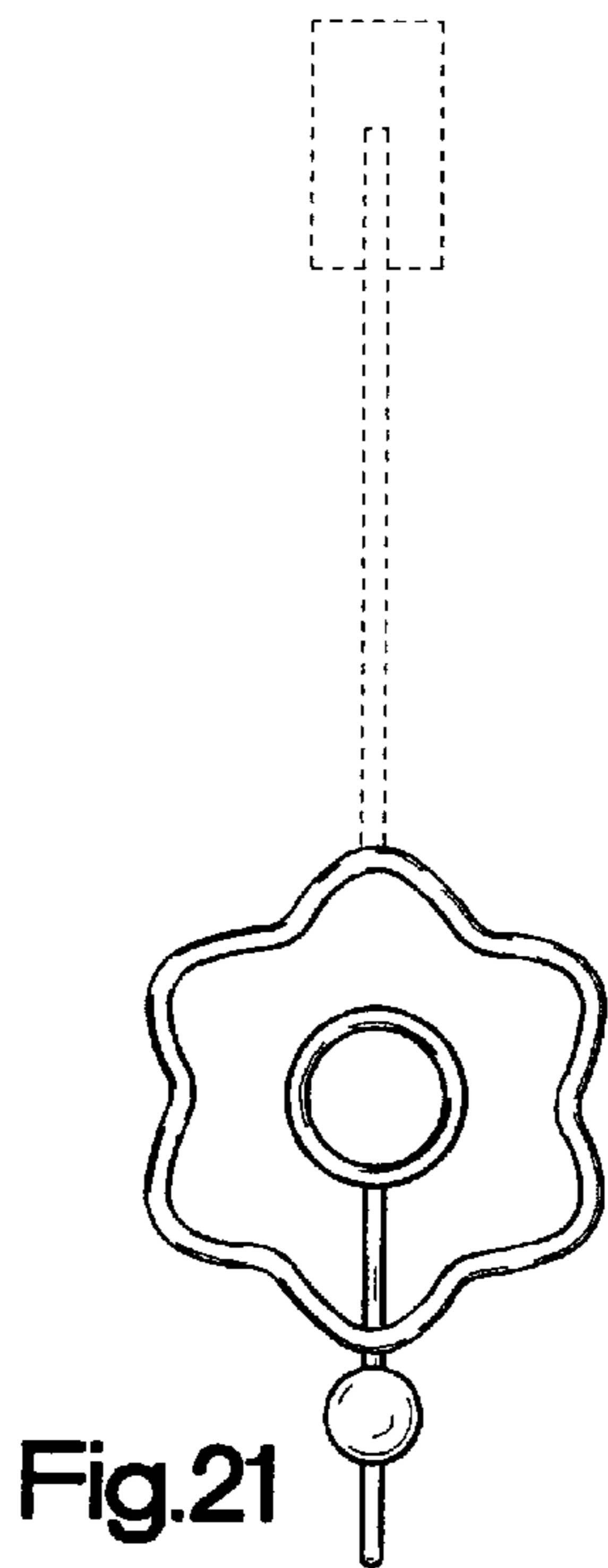
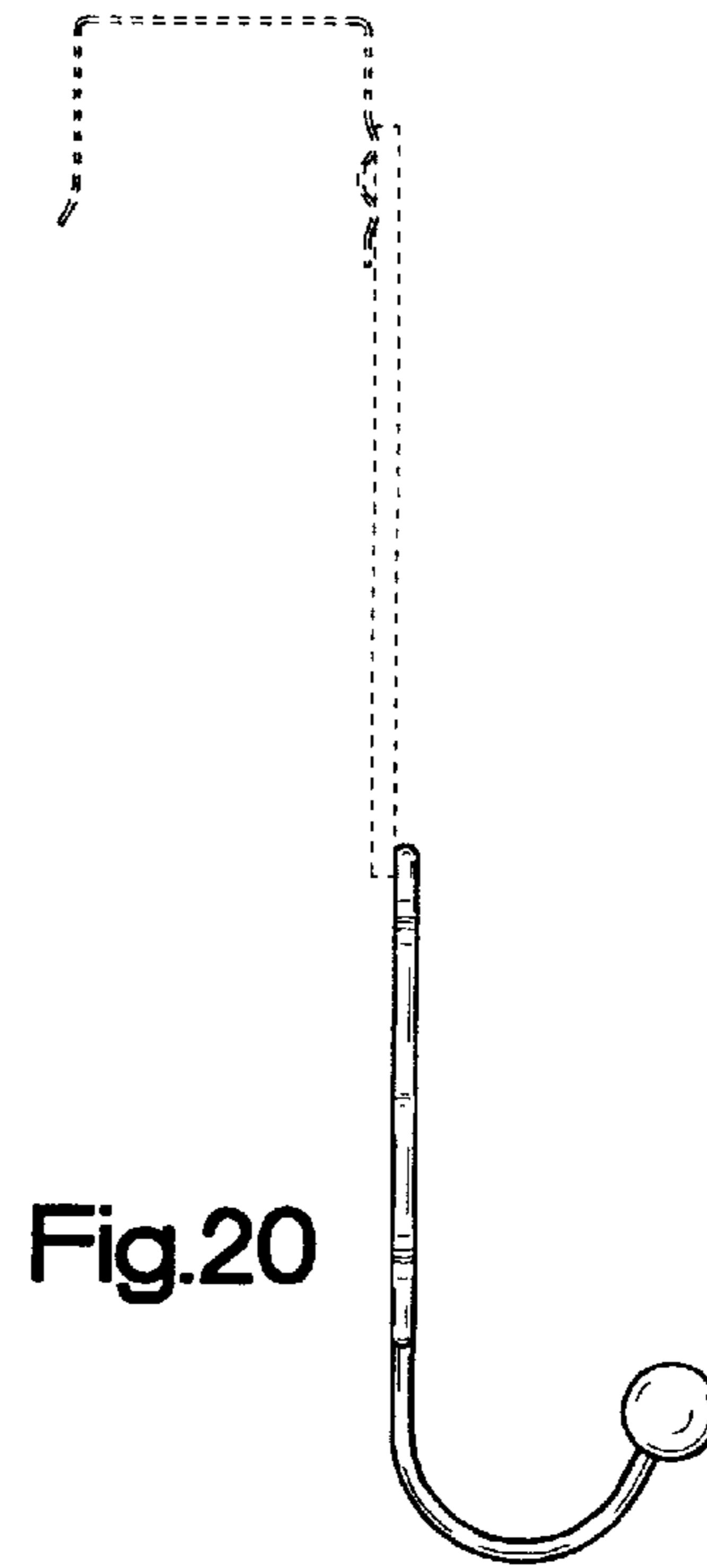
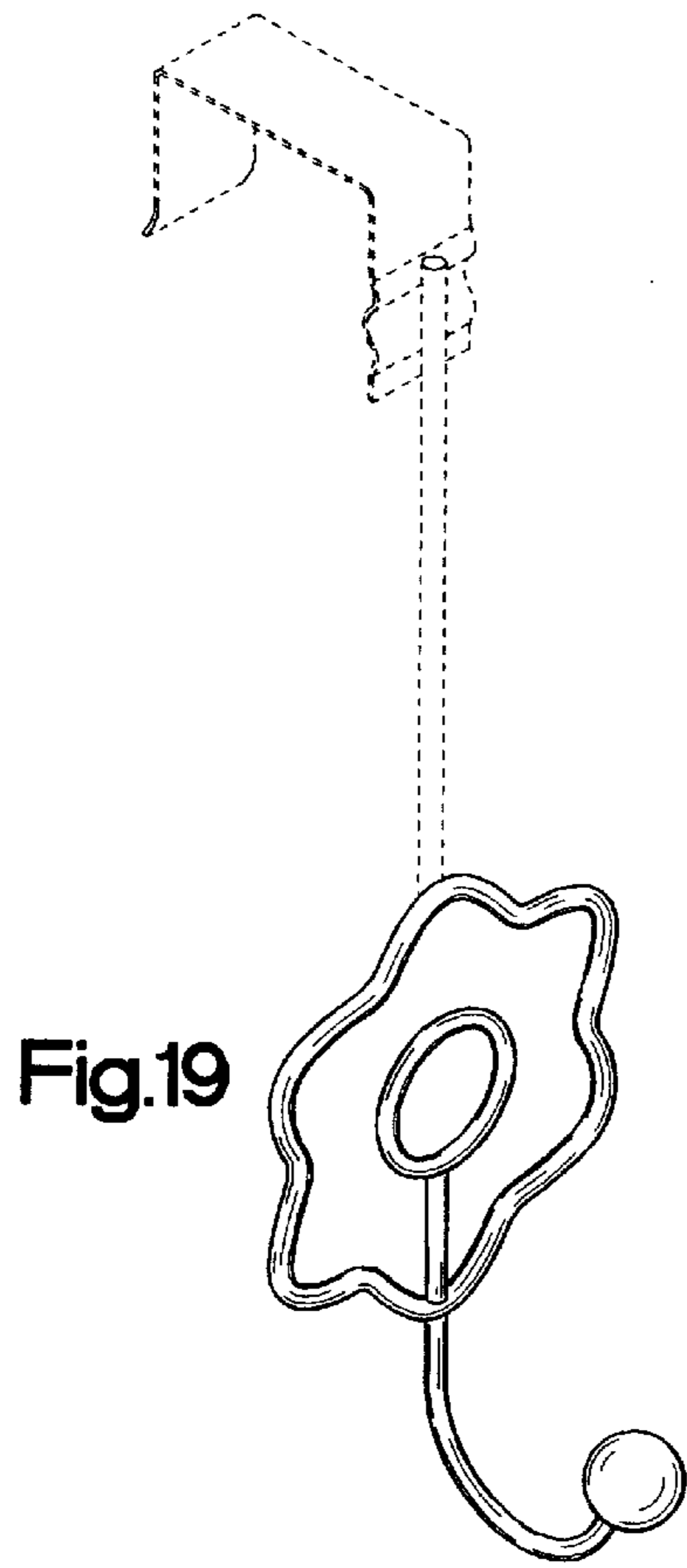


Fig.18



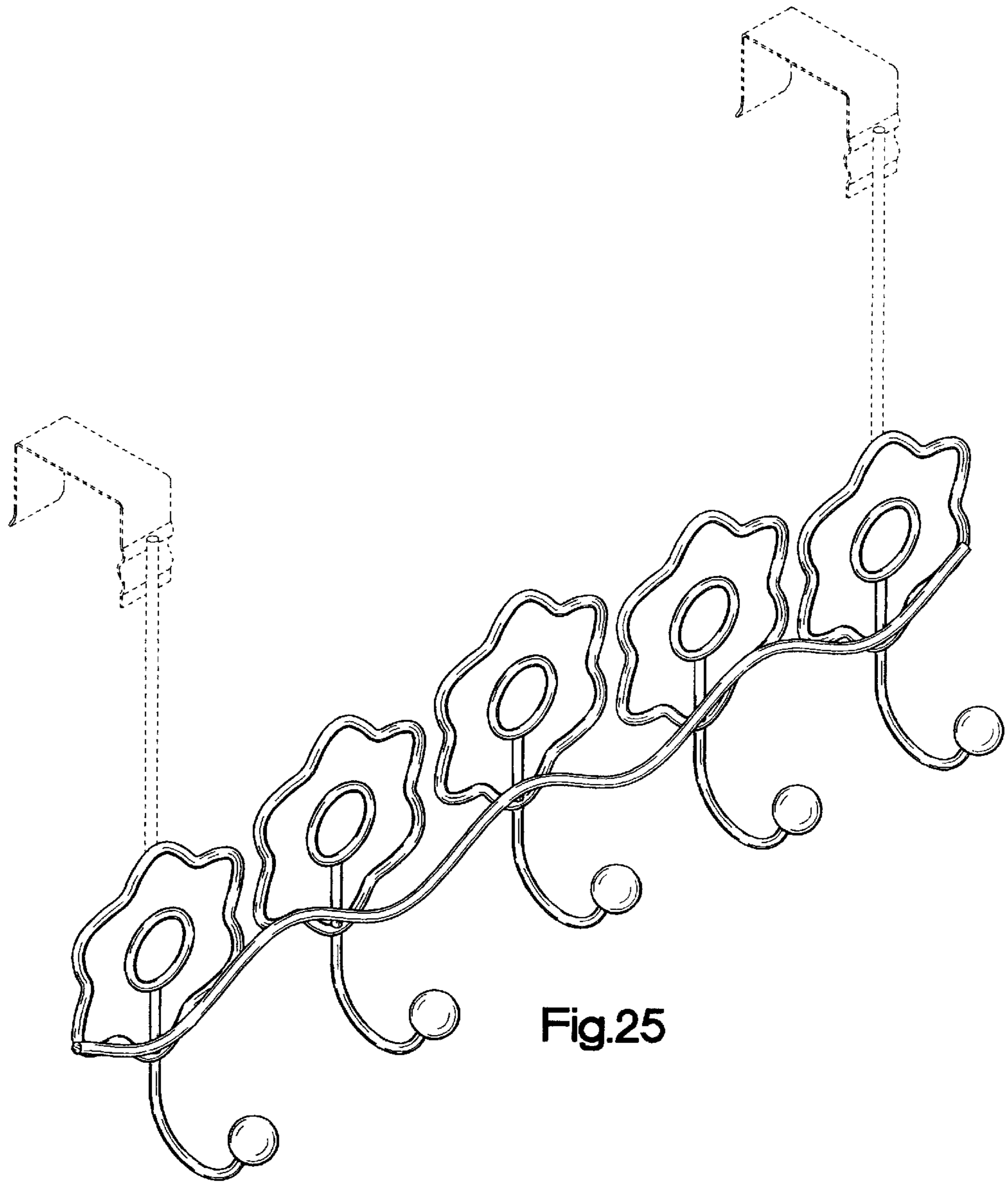


Fig.25

Fig.26

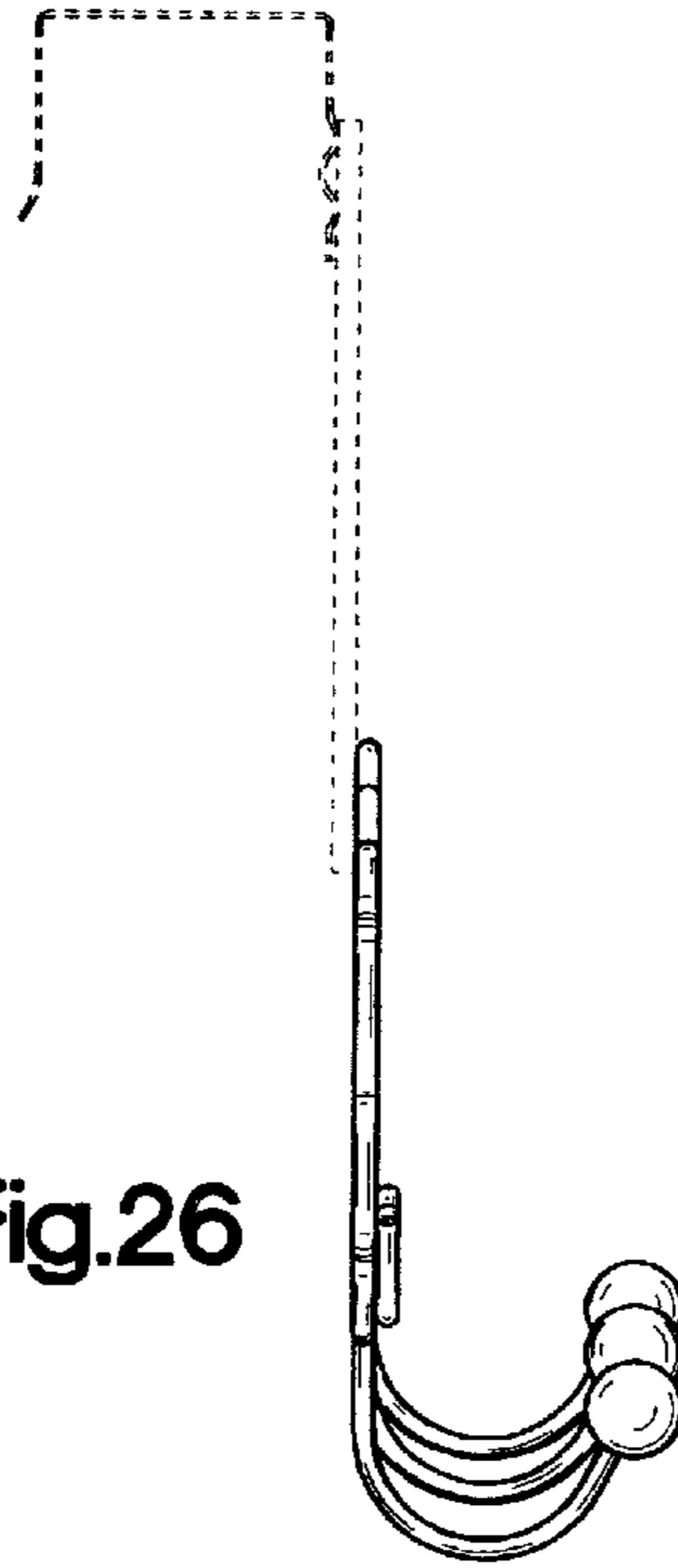
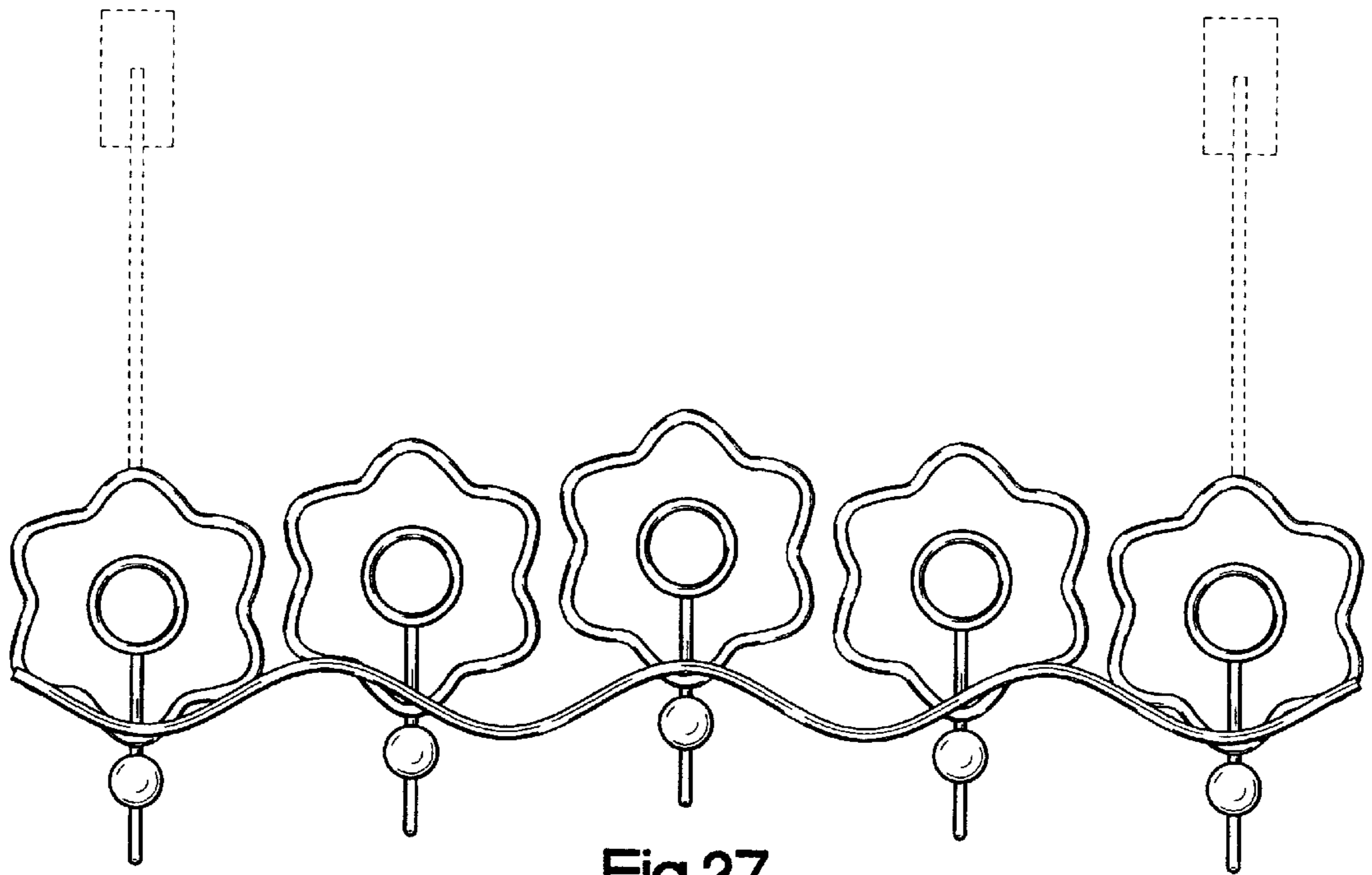


Fig.27



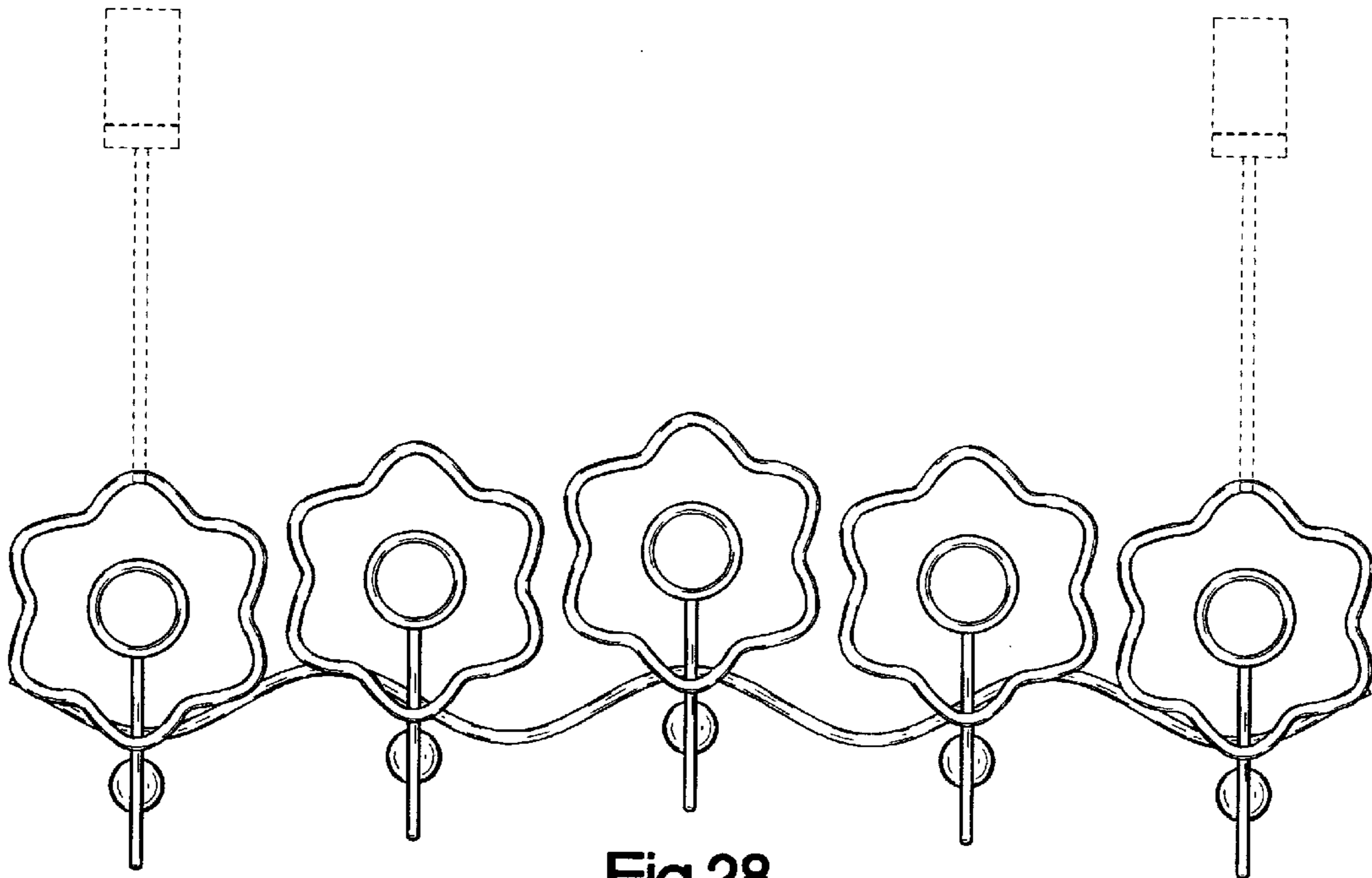


Fig.28

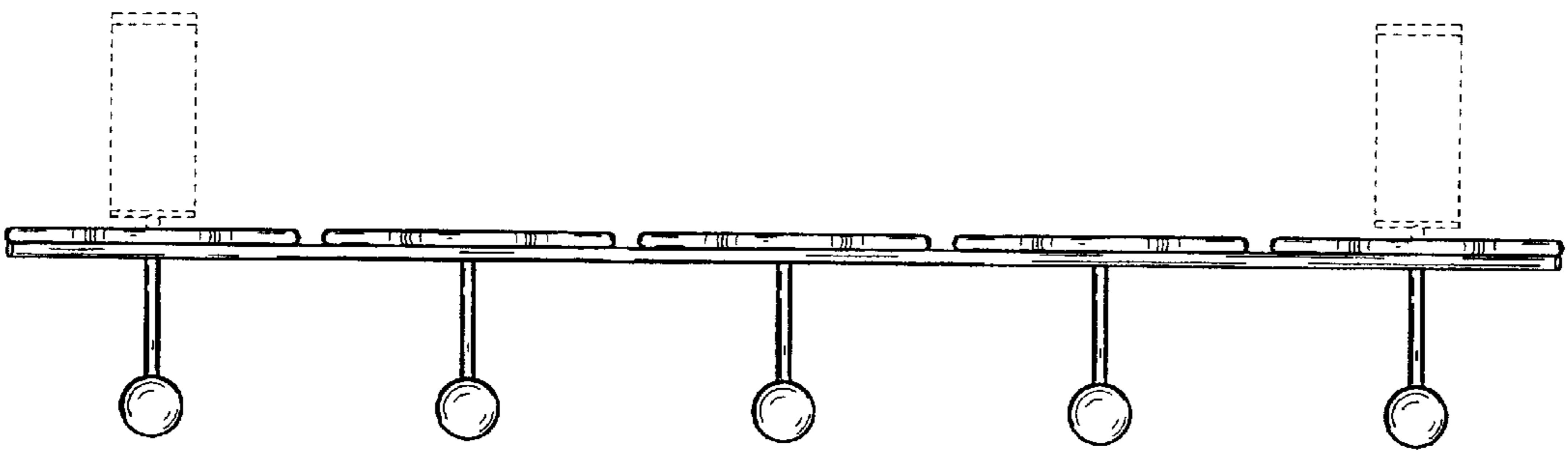


Fig.29

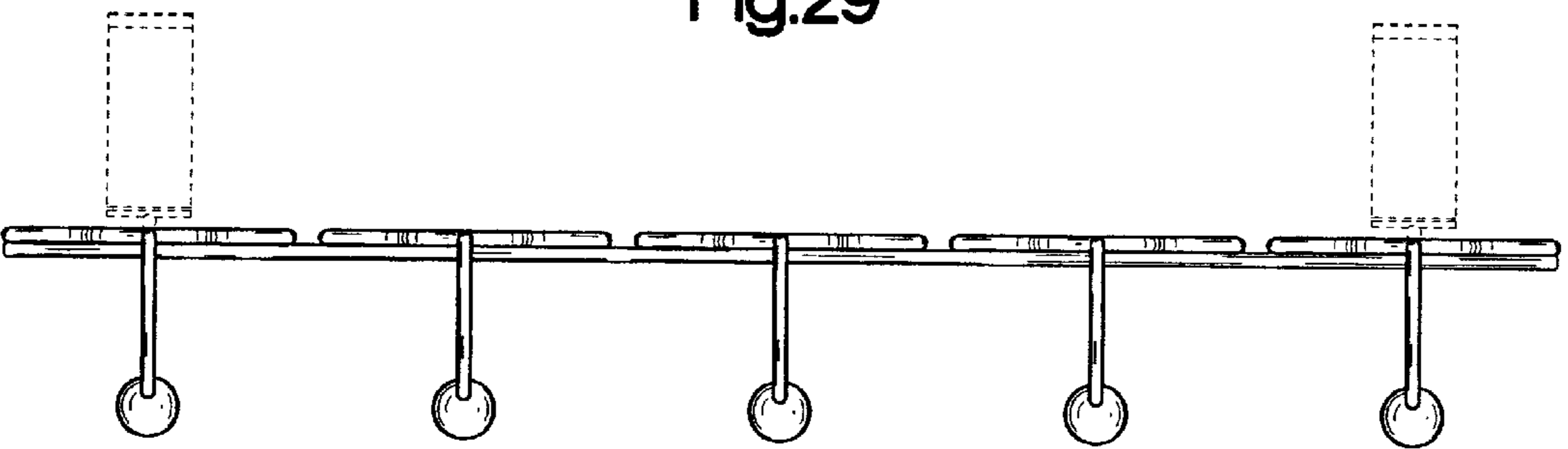


Fig.30