



US00D473452S

(12) **United States Design Patent**
Knapp

(10) **Patent No.:** **US D473,452 S**

(45) **Date of Patent:** **** Apr. 22, 2003**

(54) **DOOR HOOK**

(75) Inventor: **David Knapp**, Toronto (CA)

(73) Assignee: **Nystrom Group Inc.**, Toronto (CA)

(**) Term: **14 Years**

(21) Appl. No.: **29/160,314**

(22) Filed: **May 9, 2002**

(51) **LOC (7) Cl.** **08-05**

(52) **U.S. Cl.** **D8/367; D6/323**

(58) **Field of Search** D8/352, 367, 369,
D8/371, 372, 370; 248/214, 215, 489, 301-304,
216.1, 467, 339, 251, 231.91, 205.3, 218.1-218.3;
D6/323, 524; 211/113, 123, 118, 60.1, 13.1,
65, 66, 31, 32, 85.3; 160/348, 349.2

(56) **References Cited**

U.S. PATENT DOCUMENTS

D326,021 S * 5/1992 Evenson D6/323
D342,889 S * 1/1994 Adams D8/367

D343,112 S * 1/1994 Corbin D8/367
D360,355 S * 7/1995 Adams D8/367
5,738,319 A * 4/1998 Grassi 248/215
6,152,313 A * 11/2000 Klein et al. 211/113

* cited by examiner

Primary Examiner—Pamela Burgess

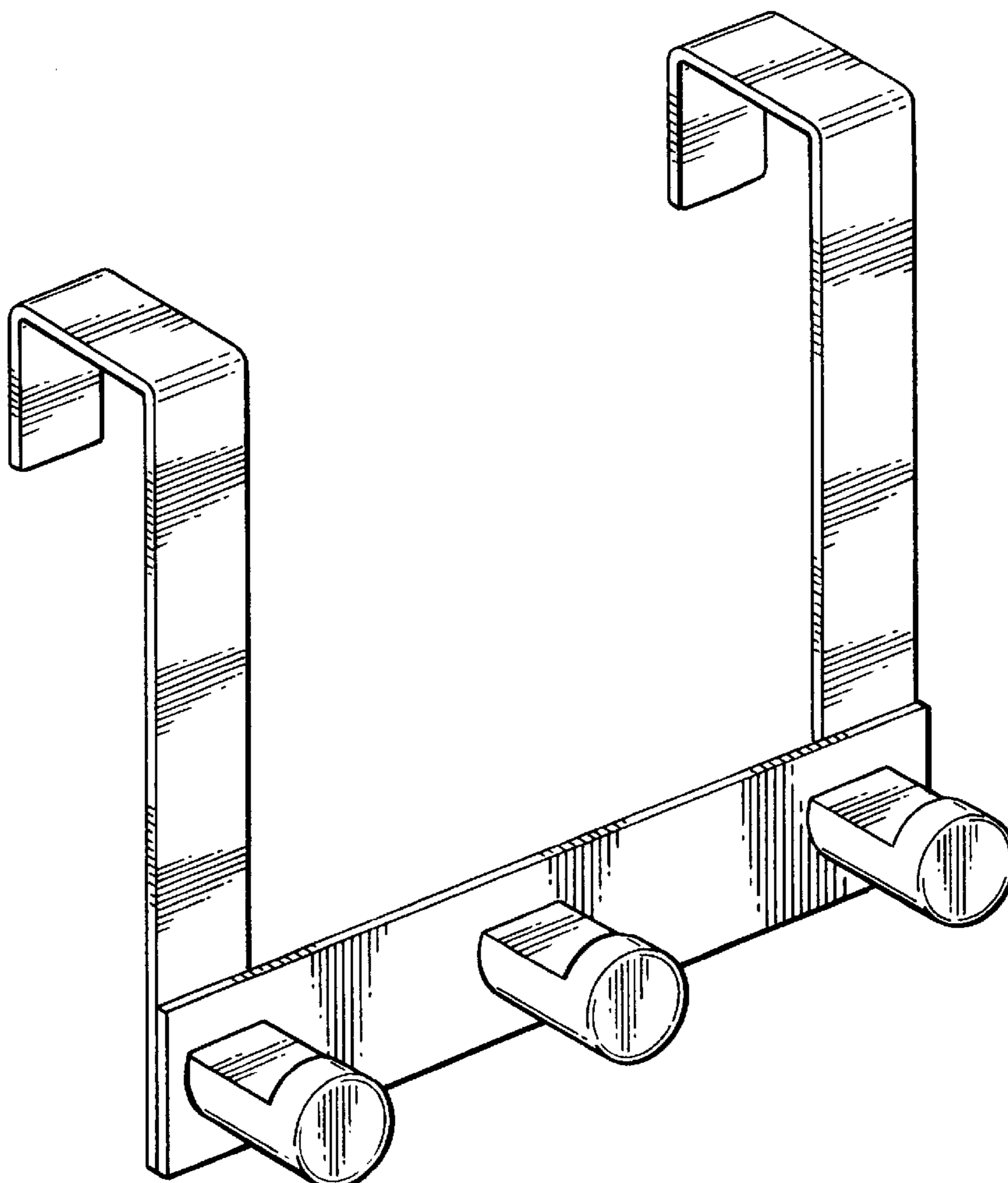
(57) **CLAIM**

The ornamental design for a door hook, as shown and described.

DESCRIPTION

FIG. 1 is a top front perspective view of a door hook showing my new design;
FIG. 2 is a right side elevational view thereof, the undisclosed left side being a mirror image;
FIG. 3 is a front elevational view thereof;
FIG. 4 is a top plan view thereof;
FIG. 5 is a rear elevational view thereof; and,
FIG. 6 is a bottom plan view thereof.

1 Claim, 3 Drawing Sheets



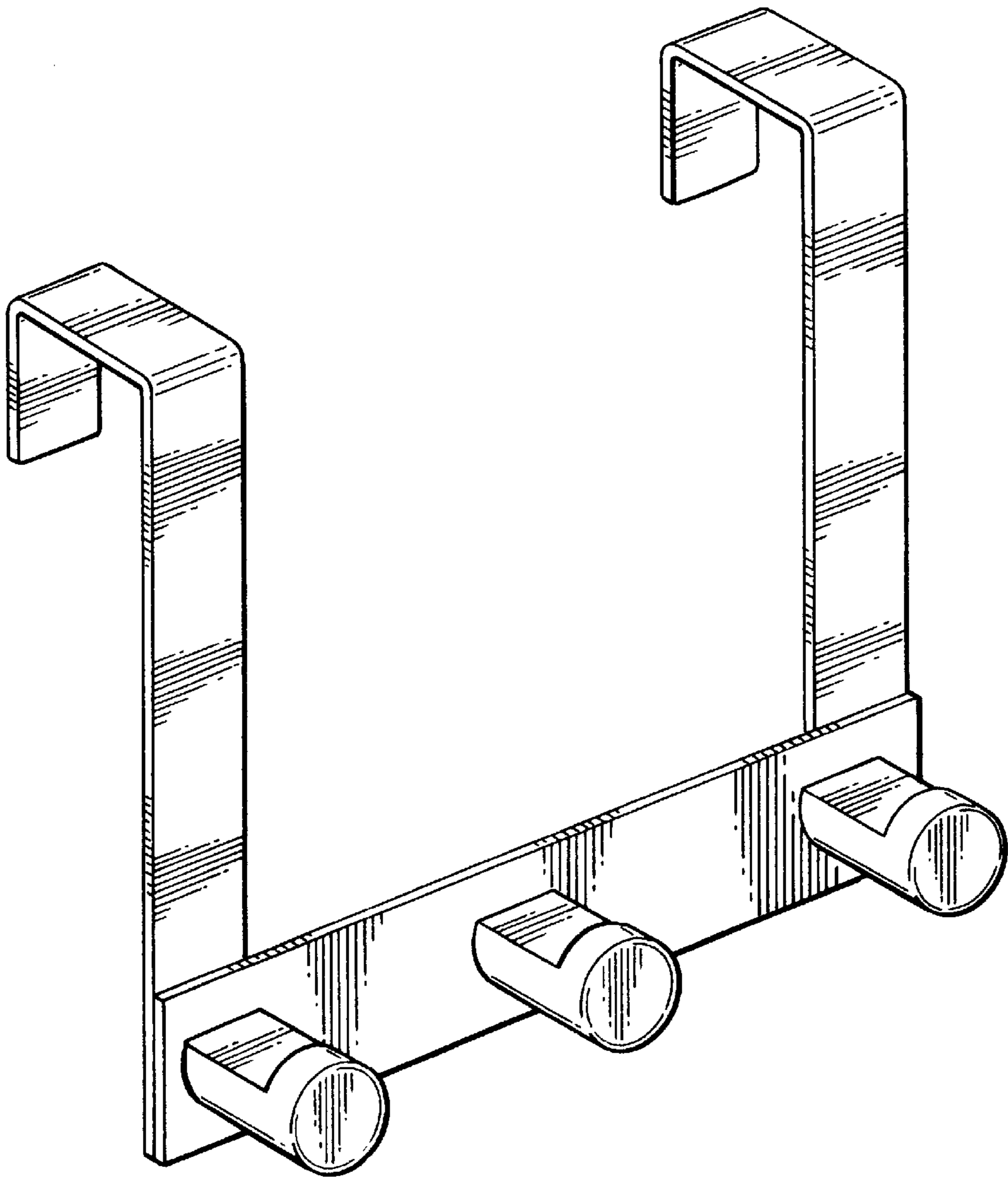


FIG. 1.

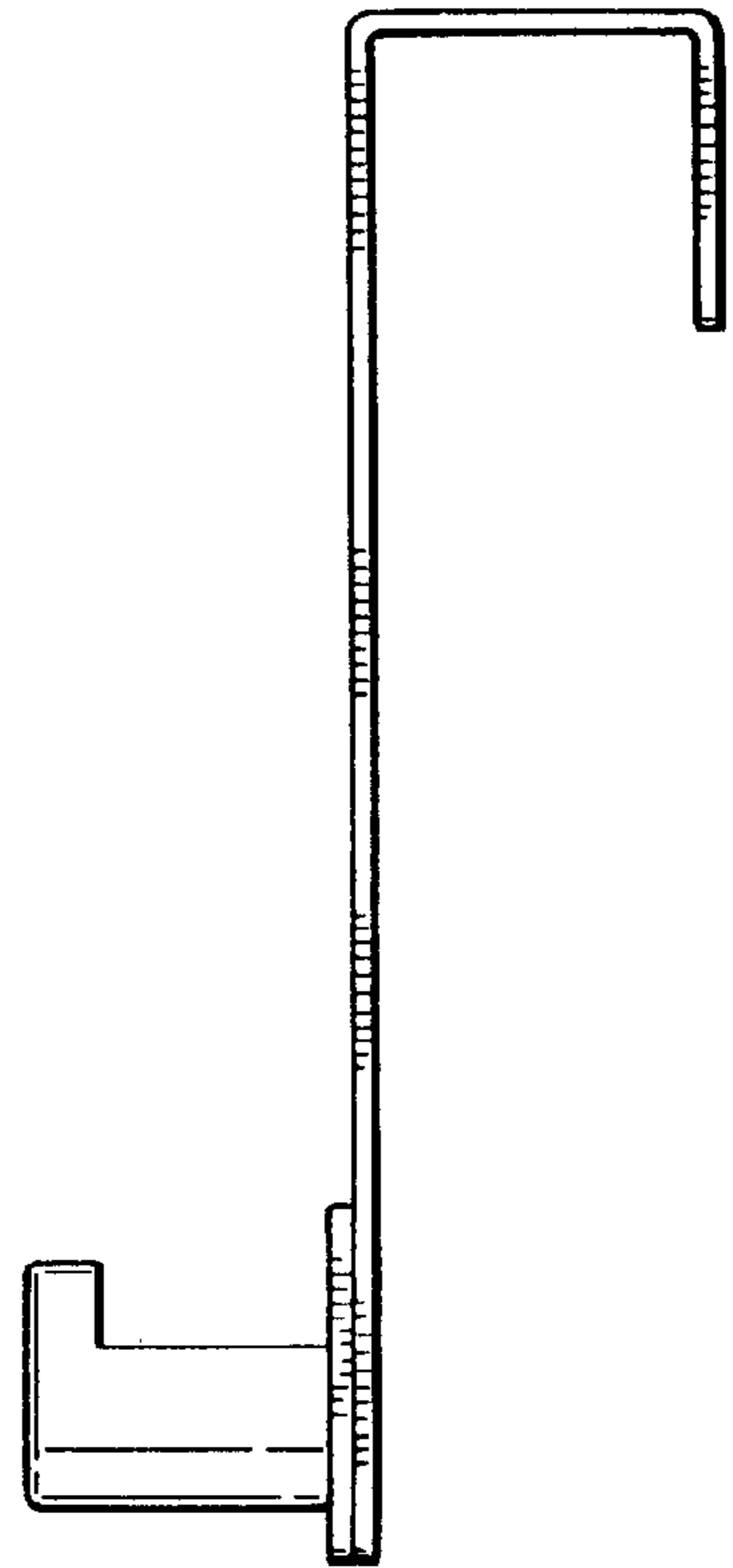


FIG. 2.

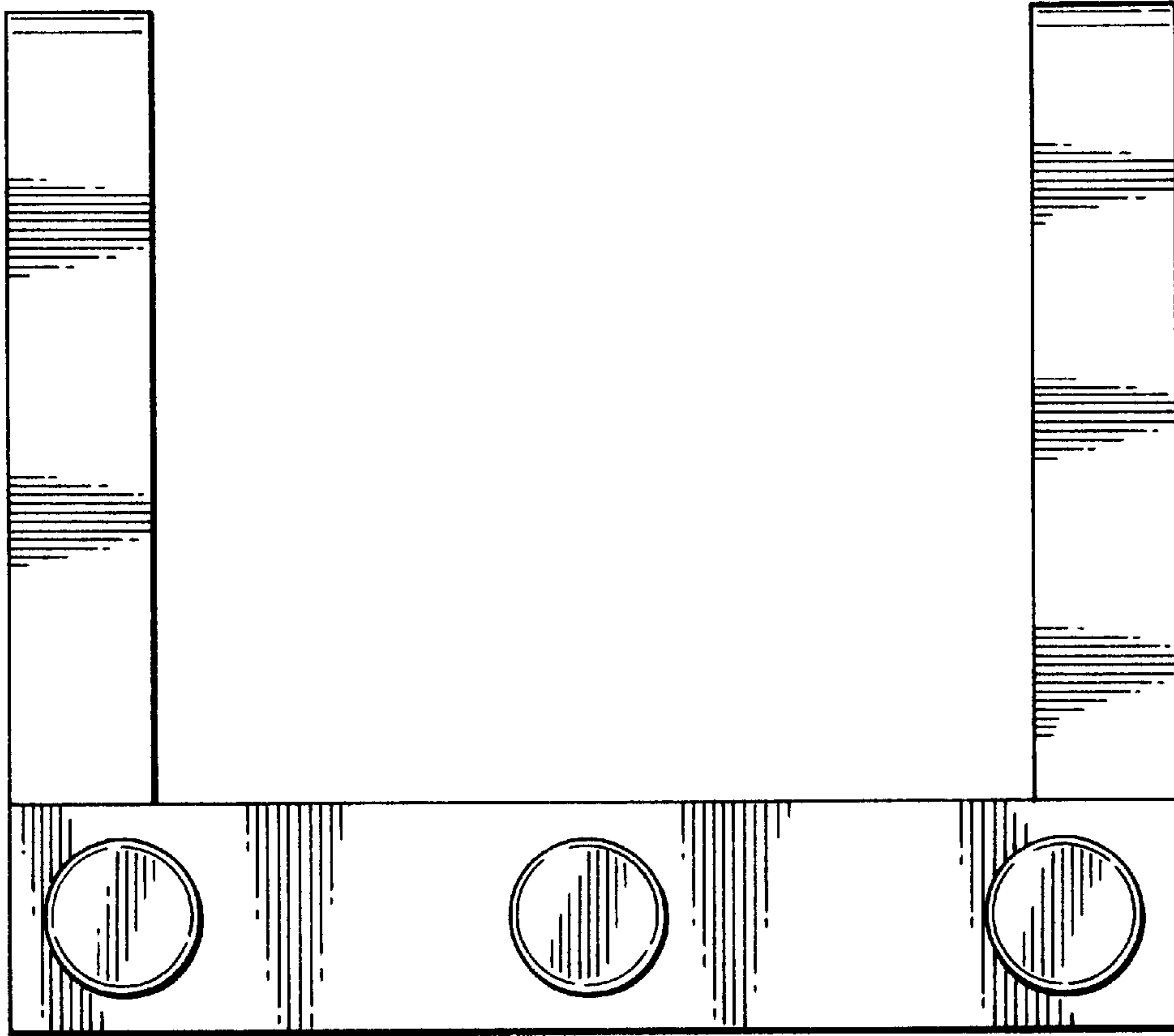


FIG. 3.

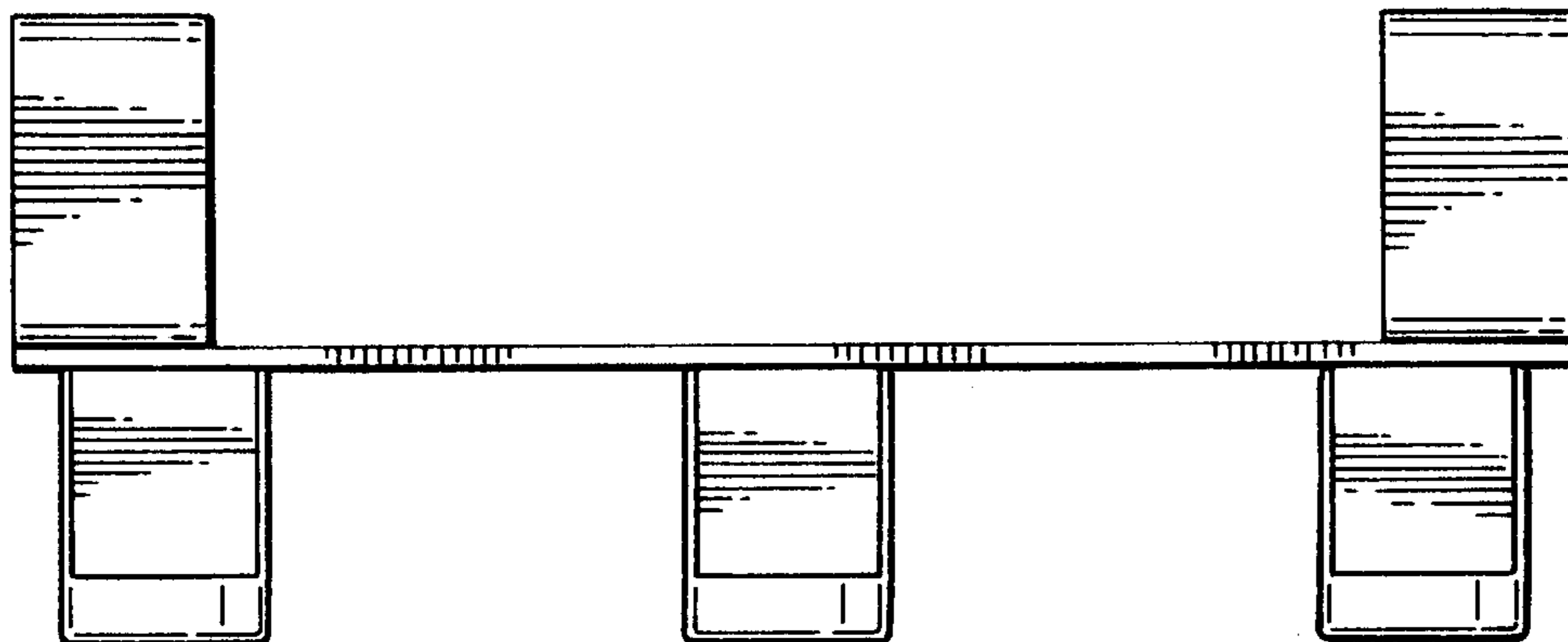


FIG. 4.

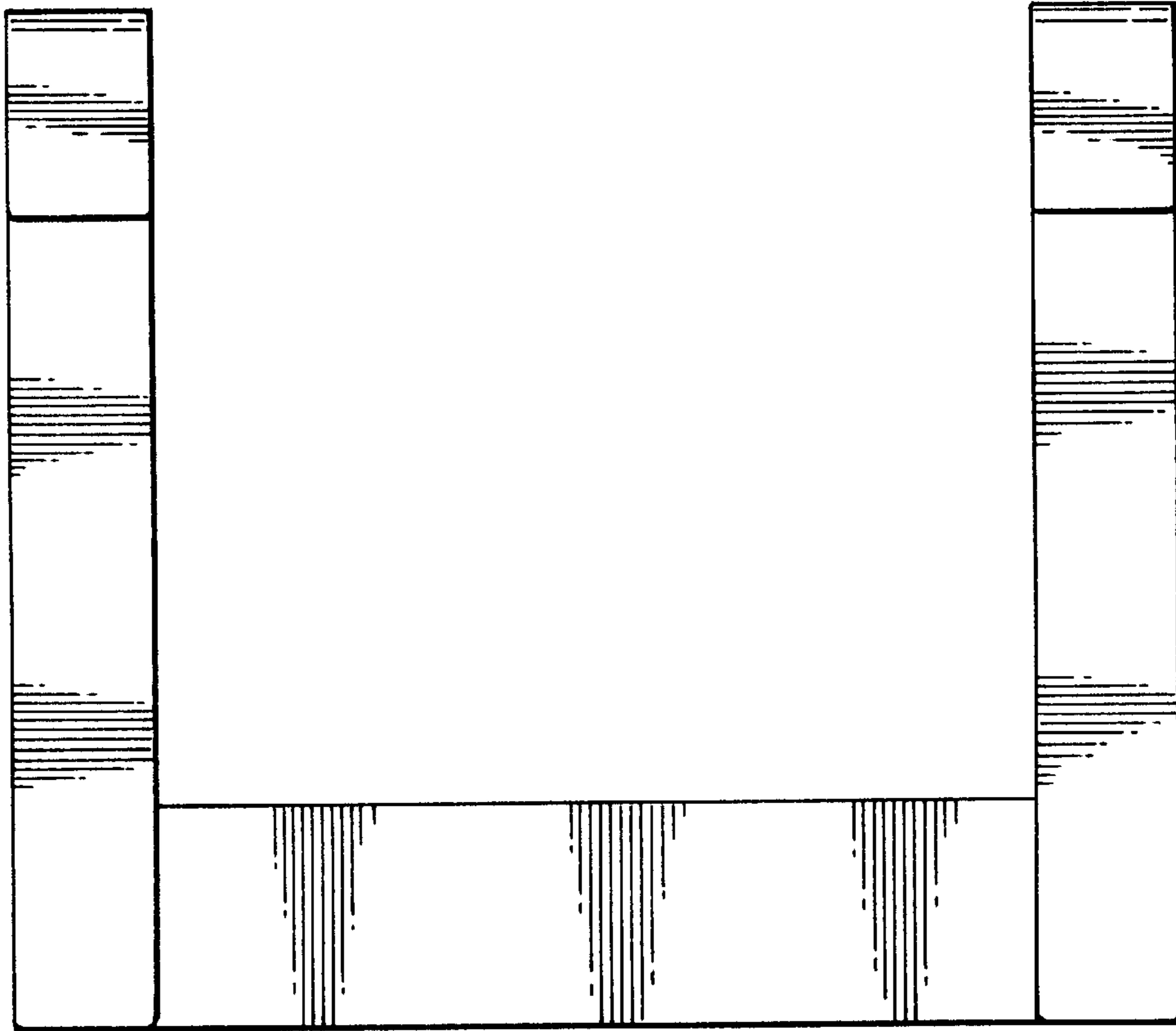


FIG. 5.

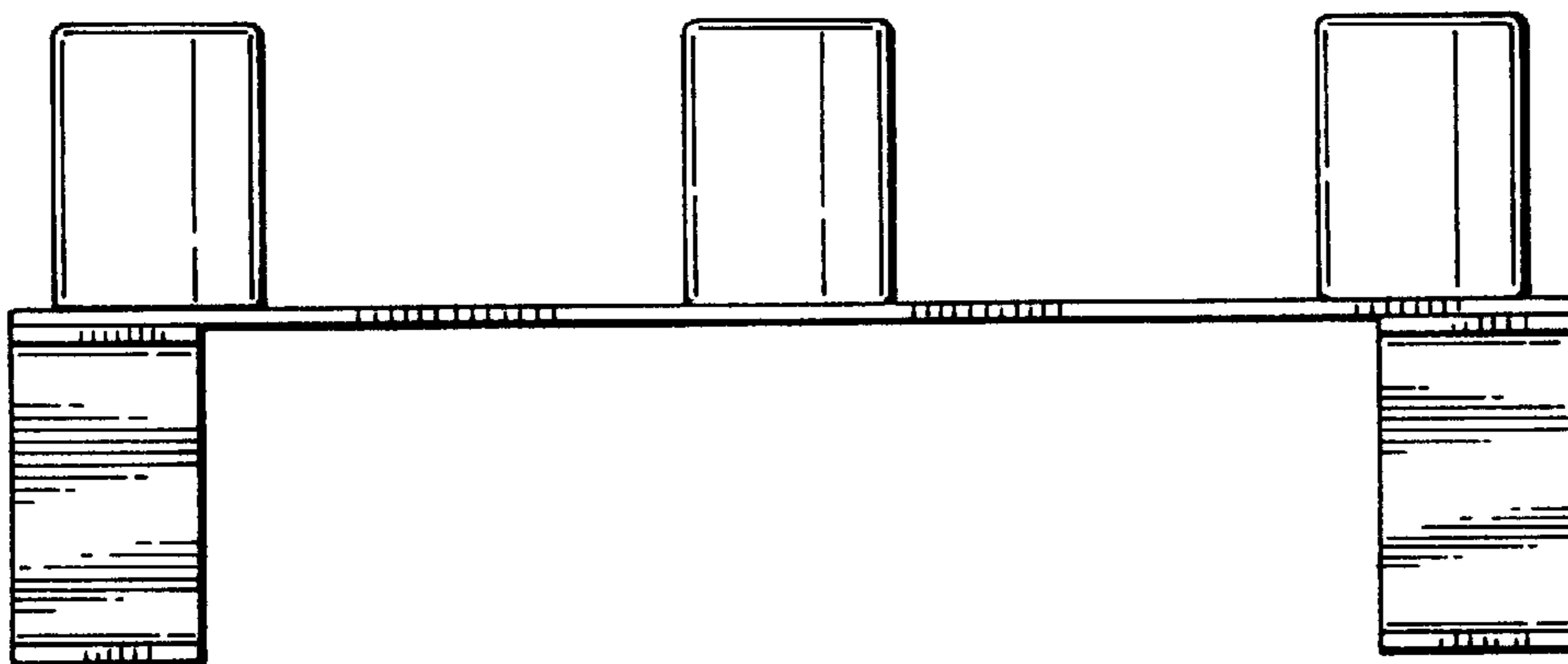


FIG. 6.