



US00D473450S

(12) **United States Design Patent** (10) **Patent No.:** **US D473,450 S**  
**Strong** (45) **Date of Patent:** **\*\* Apr. 22, 2003**

(54) **LATCH FOR SECURING TABLE LEGS IN AN EXTENDED POSITION**

(75) Inventor: **Lynn Curtis Strong**, Clearfield, UT (US)

(73) Assignee: **Lifetime Products, Inc.**, Clearfield, UT (US)

(\*\*) Term: **14 Years**

(21) Appl. No.: **29/154,802**

(22) Filed: **Jan. 28, 2002**

(51) **LOC (7) Cl.** ..... **08-05**

(52) **U.S. Cl.** ..... **D8/363**

(58) **Field of Search** ..... D6/429, 431, 491, D6/492, 495, 496, 572; D8/349, 354, 355, 363, 366, 394; D25/66, 68; 108/81, 82, 115, 116, 129, 130, 131, 132, 133, 146, 156, 157.1, 160; 182/182.3; 248/188, 188.1, 188.6, 188.8, 439; 403/85

(56) **References Cited**

**U.S. PATENT DOCUMENTS**

2,689,158 A	9/1954	Mahr	
3,349,728 A	10/1967	Barecki et al.	
3,357,729 A	12/1967	Krueger	
D213,399 S	* 2/1969	Chew	D25/68
3,777,675 A	* 12/1973	Hanusiak	108/132
4,191,111 A	3/1980	Emmert	108/132
4,727,816 A	3/1988	Virtue	108/91
D297,612 S	* 9/1988	Friezner	D8/354
4,827,851 A	5/1989	Diffrient	108/132
4,838,180 A	6/1989	Gutgsell	108/132
4,841,877 A	6/1989	Virtue	108/36
4,951,576 A	8/1990	Cobos et al.	108/131
5,056,439 A	10/1991	Hodge, Jr. et al.	108/34
D325,639 S	* 4/1992	Tavella	D25/68
5,109,778 A	5/1992	Berkowitz et al.	108/127
5,279,233 A	1/1994	Cox	108/129
5,284,100 A	2/1994	Thorn	108/129
5,357,872 A	10/1994	Wilmore	108/35
5,421,272 A	6/1995	Wilmore	108/115
D362,510 S	* 9/1995	Jones	D25/68
5,694,865 A	12/1997	Raab	108/161

5,732,637 A	3/1998	Raab	108/129
5,785,287 A	* 7/1998	Hoshino	248/188.8
D402,046 S	* 12/1998	Lal	D25/68
5,865,128 A	2/1999	Tarnay	108/133
5,868,081 A	2/1999	Raab	108/161
5,921,623 A	7/1999	Nye et al.	297/158.4
D414,626 S	10/1999	Collins et al.	D6/429
6,109,687 A	8/2000	Nye et al.	297/158.4
6,112,674 A	9/2000	Stanford	108/132

**OTHER PUBLICATIONS**

Palmer Snyder, The Durable Table Company, *Solid Choices Classic Plywood Laminates, New Designer Series*, 1997, 4 pages.

Palmer Snyder, The Durable Table Company, *Now handling tables is child's play. ABS Plastic Folding Tables* 1998, 4 pages.

\* cited by examiner

*Primary Examiner*—Doris V. Coles

*Assistant Examiner*—Elizabeth Albert

(74) *Attorney, Agent, or Firm*—Workman, Nydegger & Seeley

(57) **CLAIM**

The ornamental design for a latch for securing table legs in an extended position, as shown and described.

**DESCRIPTION**

FIG. 1 is a perspective view of a latch for securing tables legs in an extended position, illustrating the latch in connection with an exemplary table having folding legs;

FIG. 2 is an enlarged perspective view of FIG. 6 shown without the table;

FIG. 3 is a top view of FIG. 2;

FIG. 4 is a front view of FIG. 2;

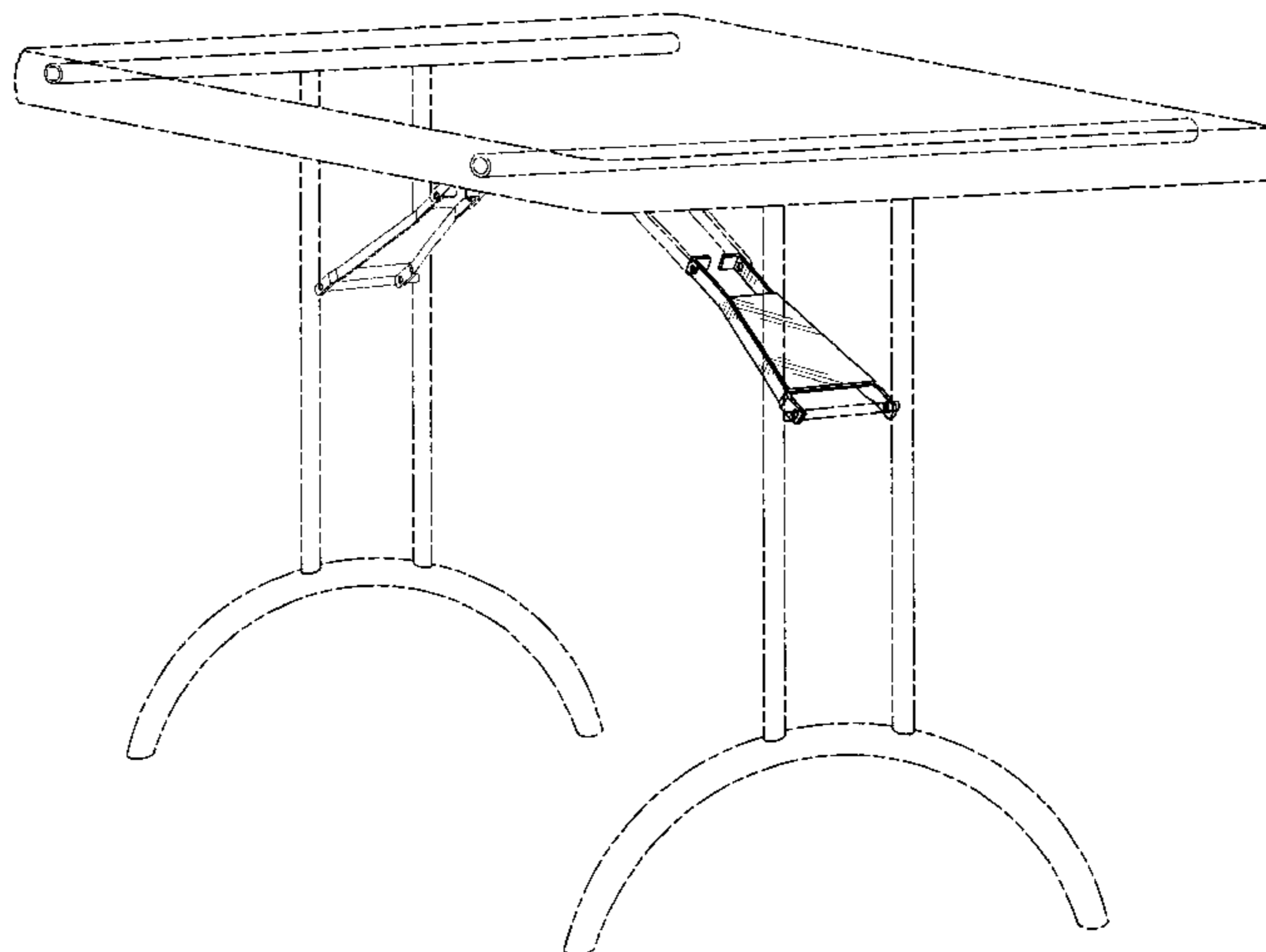
FIG. 5 is a back view of FIG. 2;

FIG. 6 is a bottom view of FIG. 2; and,

FIG. 7 is a right side view of FIG. 2, with the left side view being a mirror image thereof.

The broken lines shown in the figures are for illustrative purposes only and form no part of the claimed design.

**1 Claim, 3 Drawing Sheets**



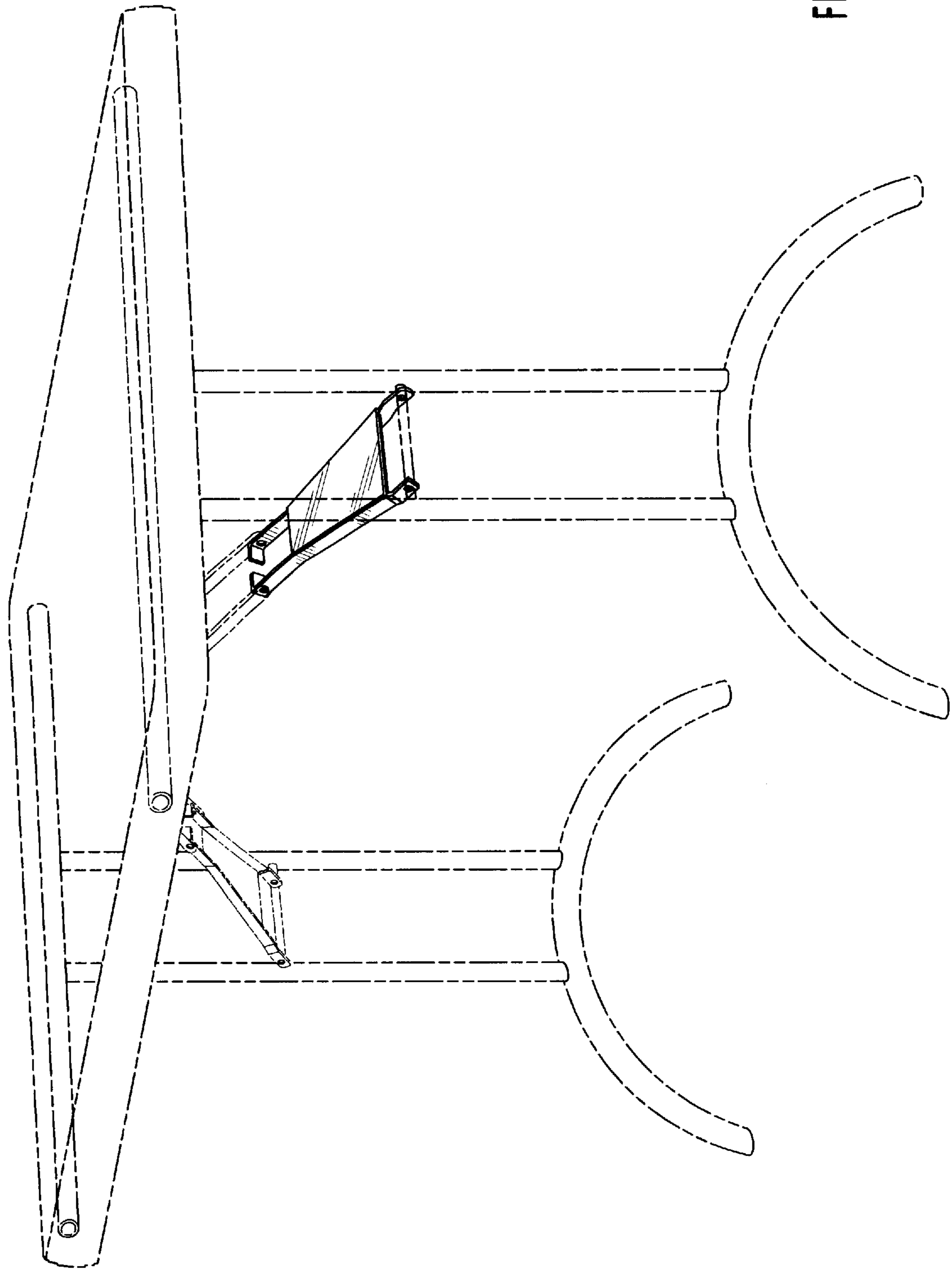


FIG. 1

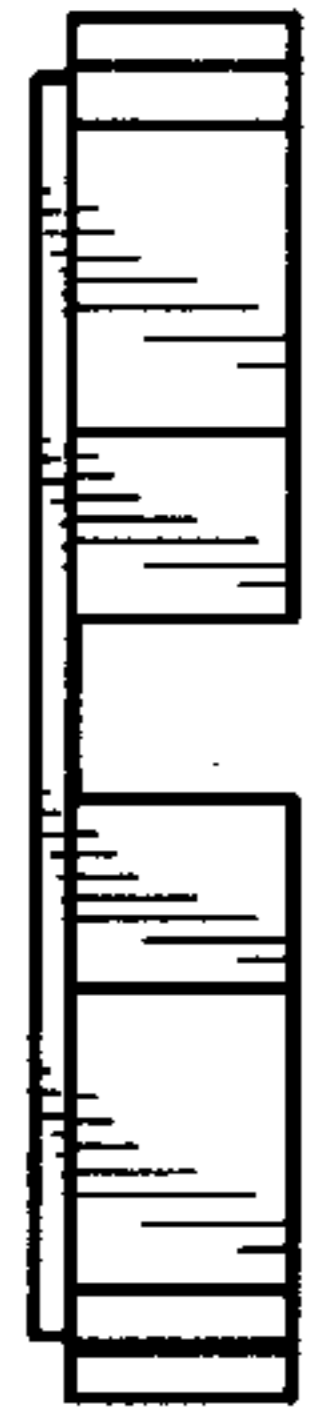


FIG. 4

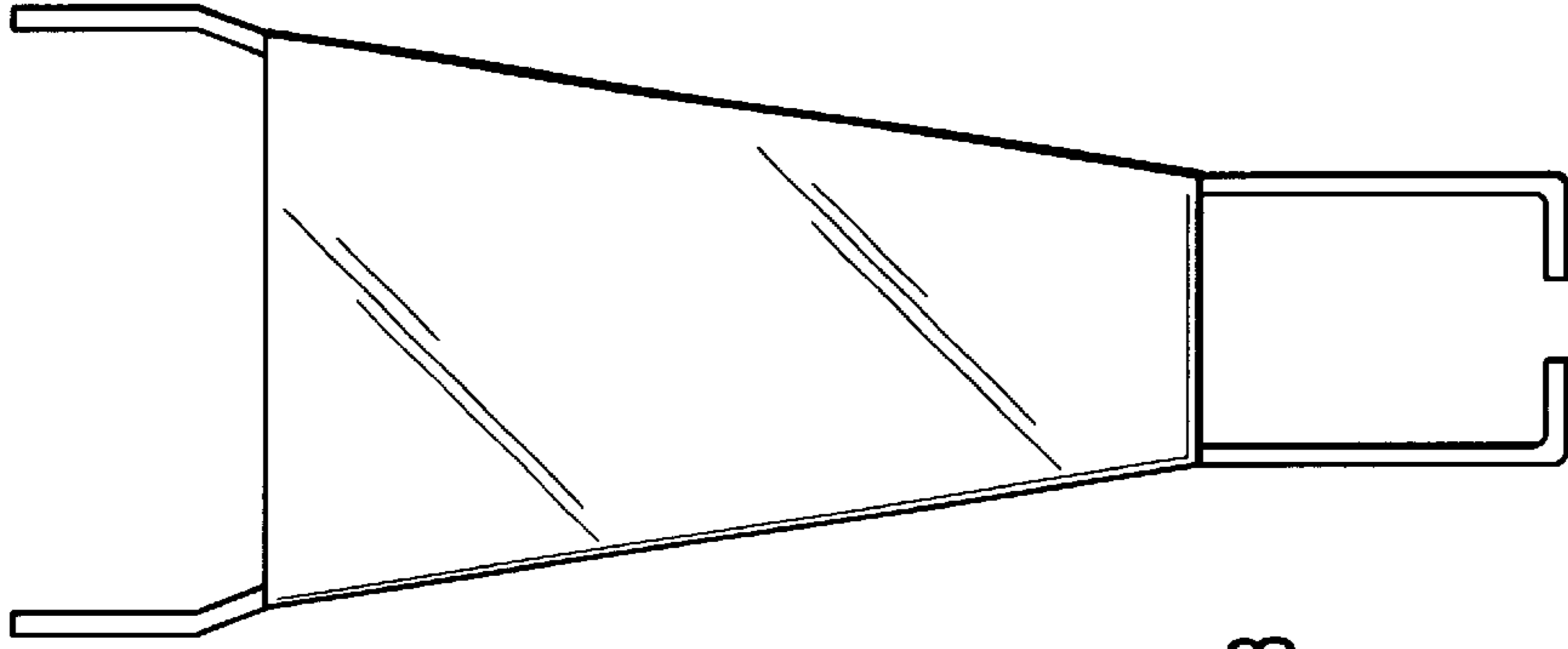


FIG. 3

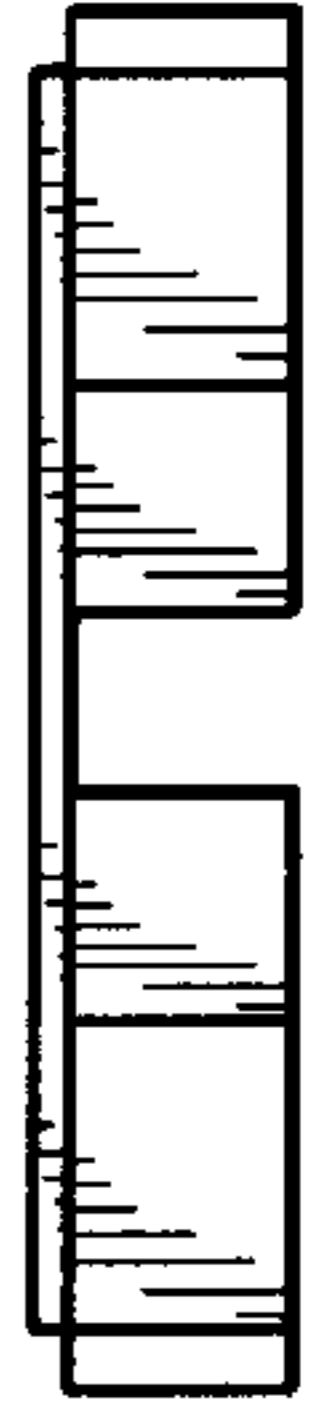


FIG. 5

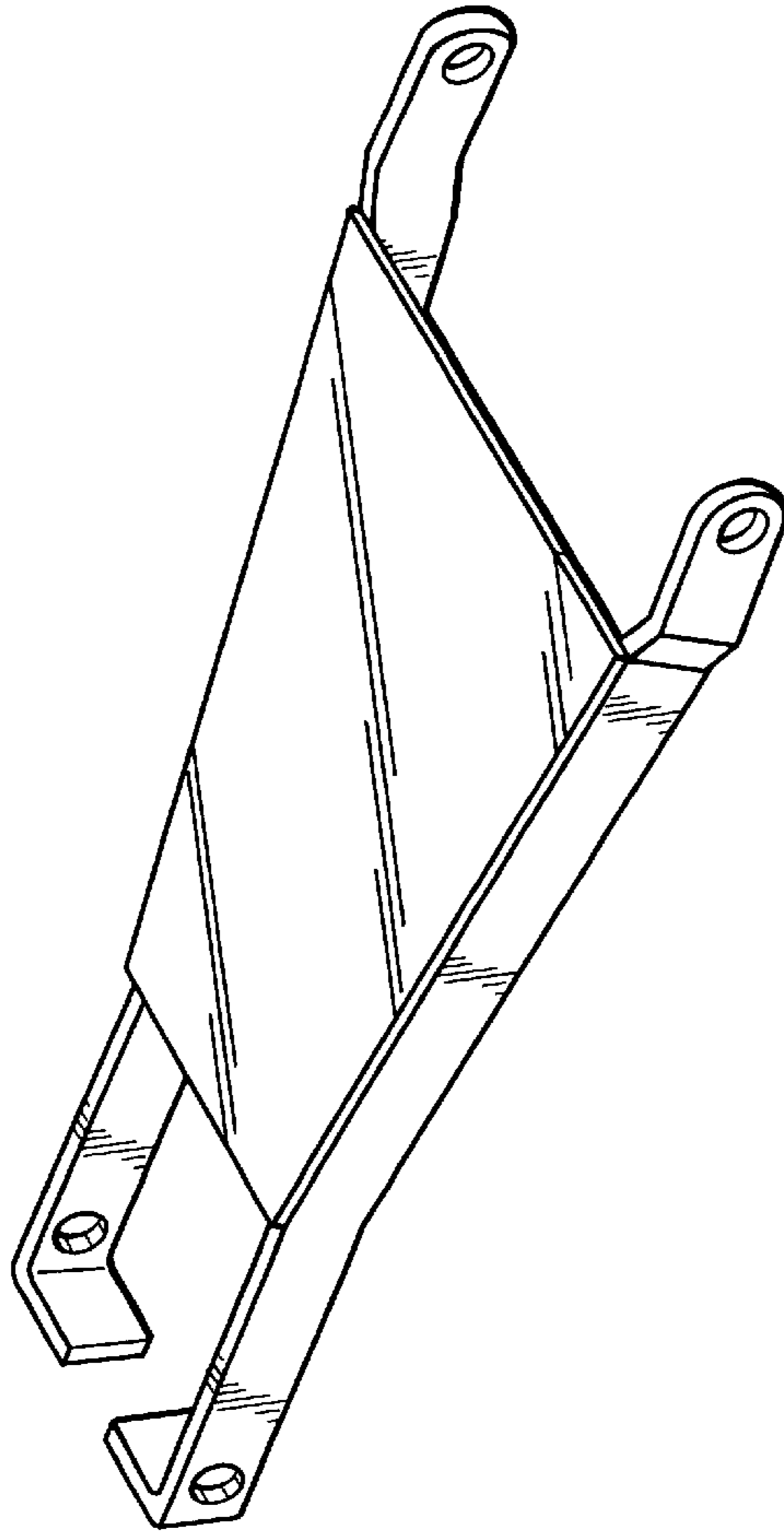


FIG. 2



FIG. 7

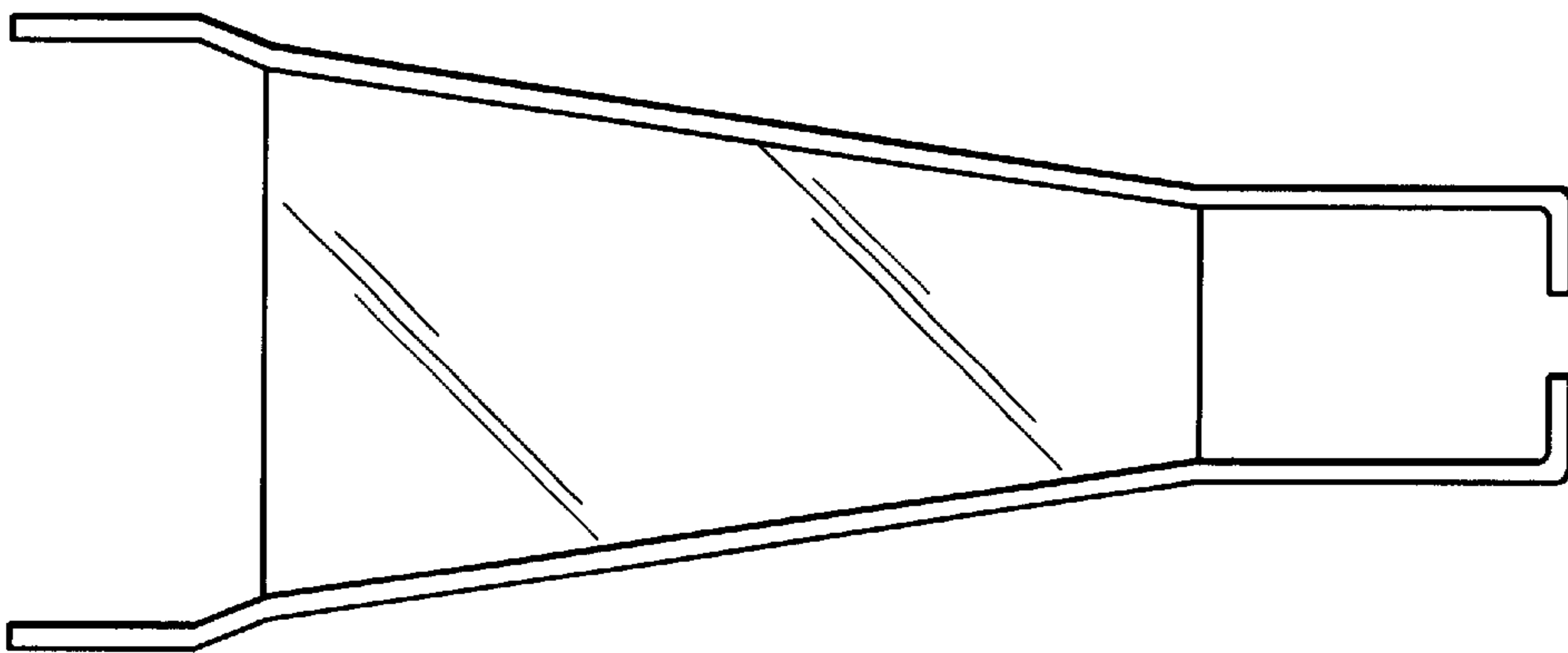


FIG. 6

UNITED STATES PATENT AND TRADEMARK OFFICE  
**CERTIFICATE OF CORRECTION**

PATENT NO. : Des. 473,450 S  
DATED : April 22, 2003  
INVENTOR(S) : Lynn Curtis Strong

Page 1 of 1


It is certified that error appears in the above-identified patent and that said Letters Patent is hereby corrected as shown below:

Title page,

**DESCRIPTION**, Figure 2, change "FIG. 6" to -- FIG. 1 --

Signed and Sealed this

Nineteenth Day of August, 2003

A handwritten signature in black ink, appearing to read "James E. Rogan", written over a horizontal line.

JAMES E. ROGAN  
*Director of the United States Patent and Trademark Office*