



US00D473448S

(12) **United States Design Patent**
Wu et al.

(10) **Patent No.:** **US D473,448 S**

(45) **Date of Patent:** **** Apr. 22, 2003**

(54) **FIBER HOLDER**

5,529,268 A * 6/1996 Wright 248/67.7
D448,735 S * 10/2001 Clark D13/154

(75) Inventors: **Kun-Tsan Wu**, Tu-Chen (TW); **Tsung Wei Chiang**, Tu-Chen (TW)

* cited by examiner

(73) Assignee: **Hon Hai Precision Ind. Co., Ltd.**,
Taipei Hsien (TW)

Primary Examiner—Doris V. Coles

Assistant Examiner—Elizabeth A. Albert

(74) *Attorney, Agent, or Firm*—Wei Te Chung

(**) Term: **14 Years**

(57) **CLAIM**

(21) Appl. No.: **29/150,764**

The ornamental design for a fiber holder, as shown and described.

(22) Filed: **Nov. 27, 2001**

(30) **Foreign Application Priority Data**

Oct. 12, 2001 (TW) 90306466

(51) **LOC (7) Cl.** **08-05**

(52) **U.S. Cl.** **D8/356**

(58) **Field of Search** D8/349, 354, 356,
D8/366, 371; D13/154, 155; 24/563; 248/27.3,
68.1, 71, 73, 74.2, 200, 220.21, 220.22,
222.11, 300, 316.1, 316.2, 316.7, 500; 361/825;
385/86, 87, 135, 136, 137

DESCRIPTION

FIG. 1 is a front, top and right side perspective view of a fiber holder showing our new design;

FIG. 2 is a front elevational view thereof;

FIG. 3 is a rear elevational view thereof;

FIG. 4 is a left side elevational view thereof;

FIG. 5 is a right side elevational view thereof;

FIG. 6 is a top plan view thereof; and

FIG. 7 is a bottom plan view thereof; and,

FIG. 8 is a front, top and right side perspective view of the fiber holder assembled on a base.

The broken lines showing environment in the drawing view of FIG. 8 are for illustrative purposes only and form no part of the claimed design.

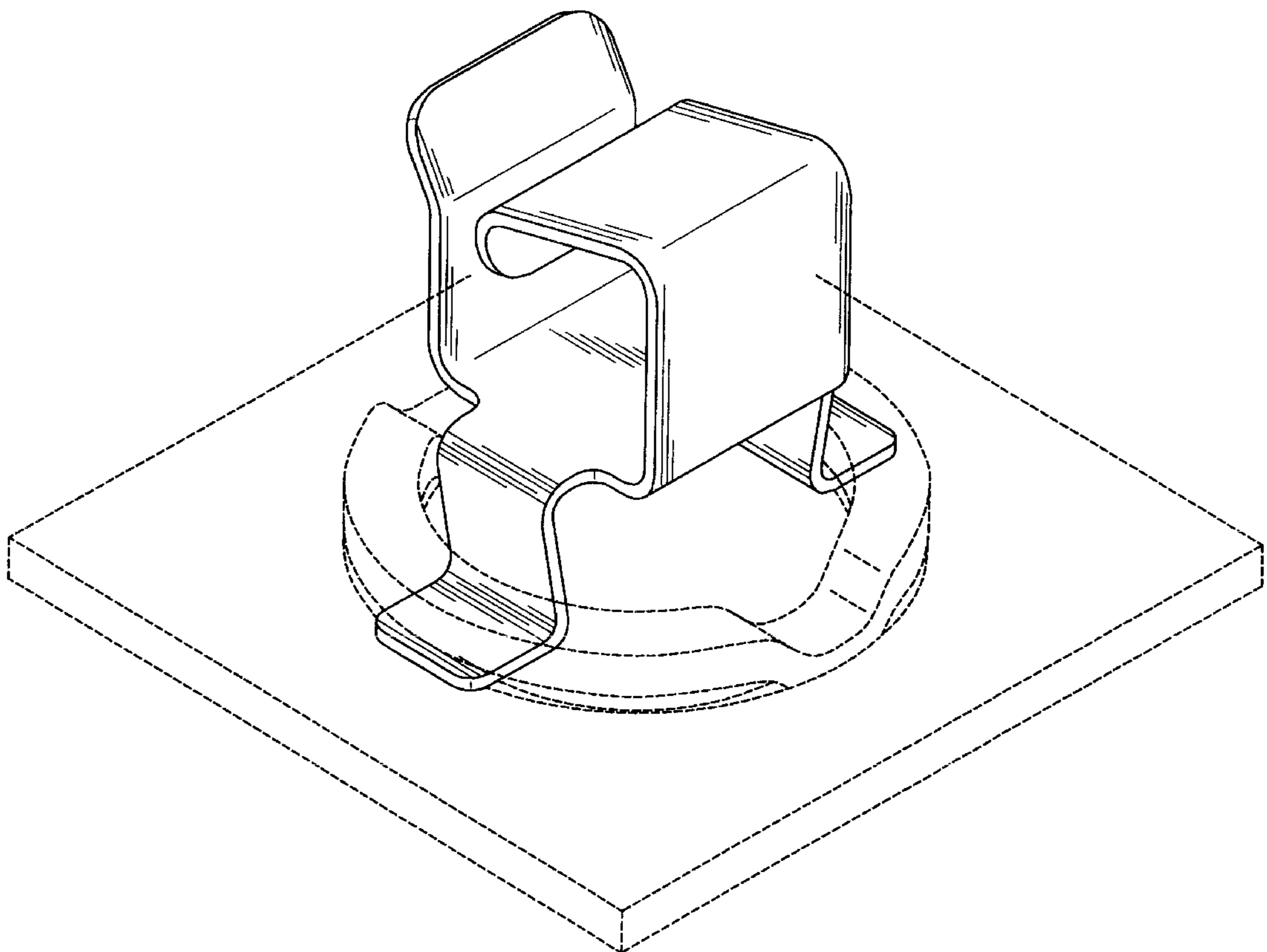
(56) **References Cited**

U.S. PATENT DOCUMENTS

3,966,155 A * 6/1976 Meyer 248/73

D290,223 S * 6/1987 Westerheim D8/349

1 Claim, 8 Drawing Sheets



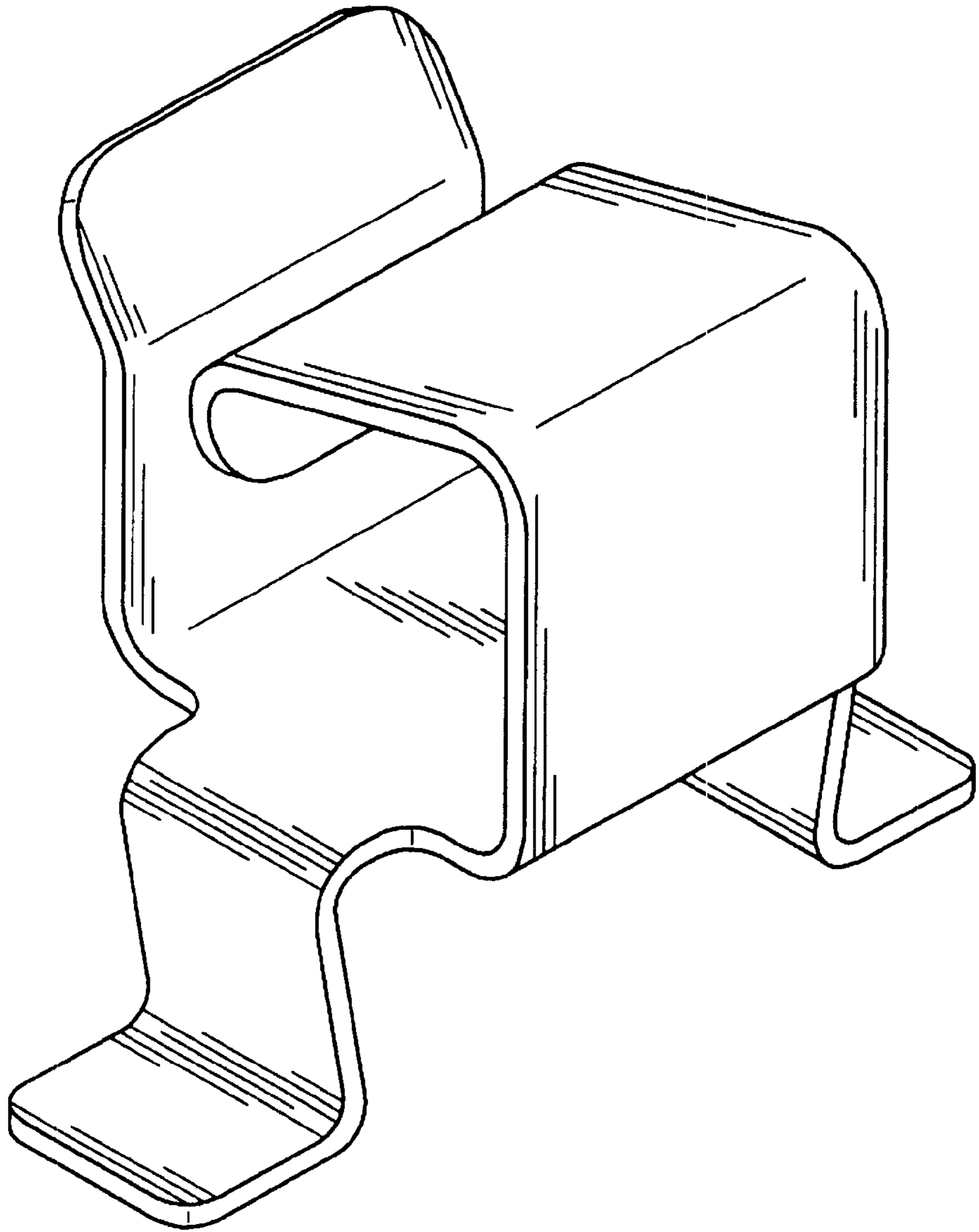


FIG. 1

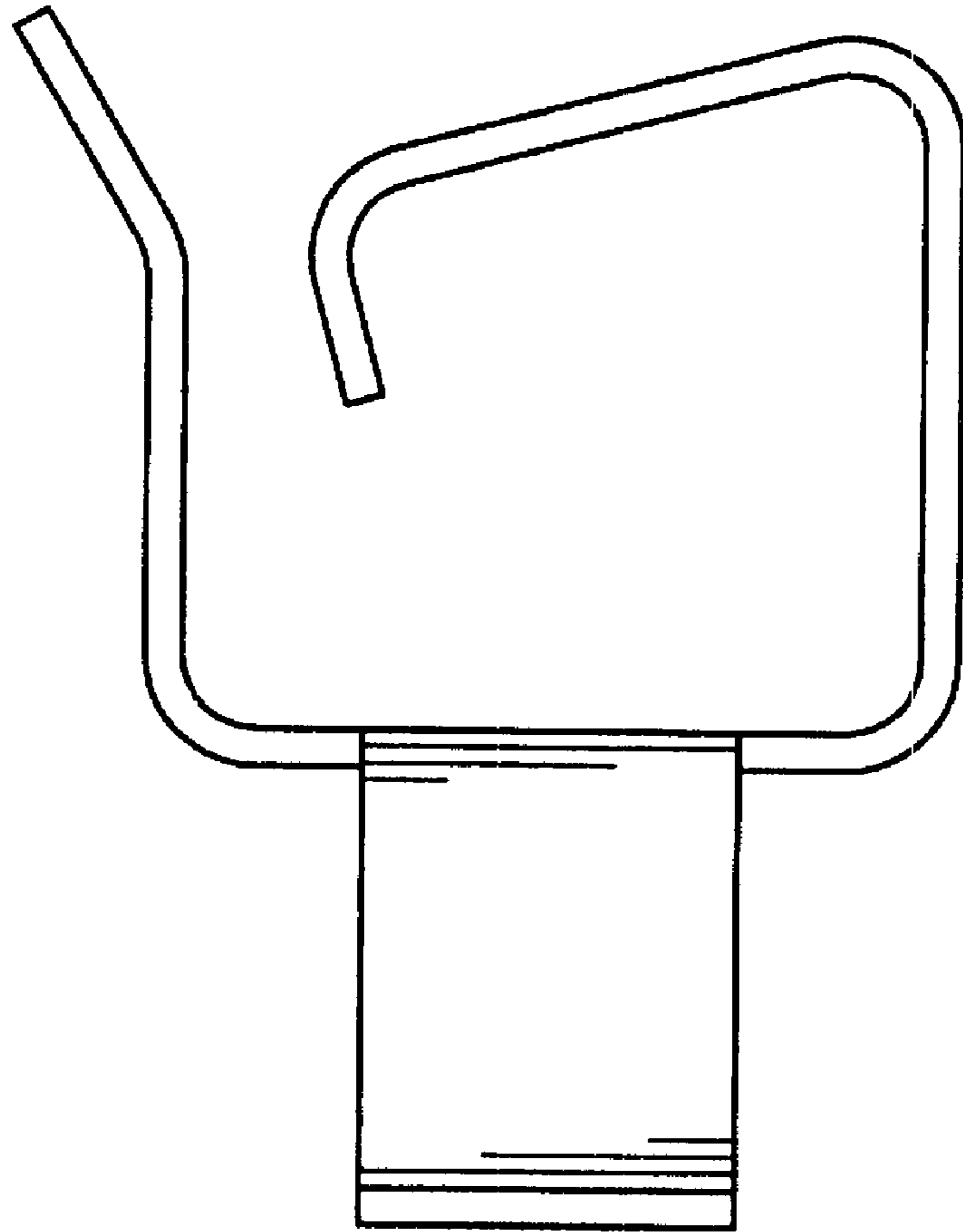


FIG. 2

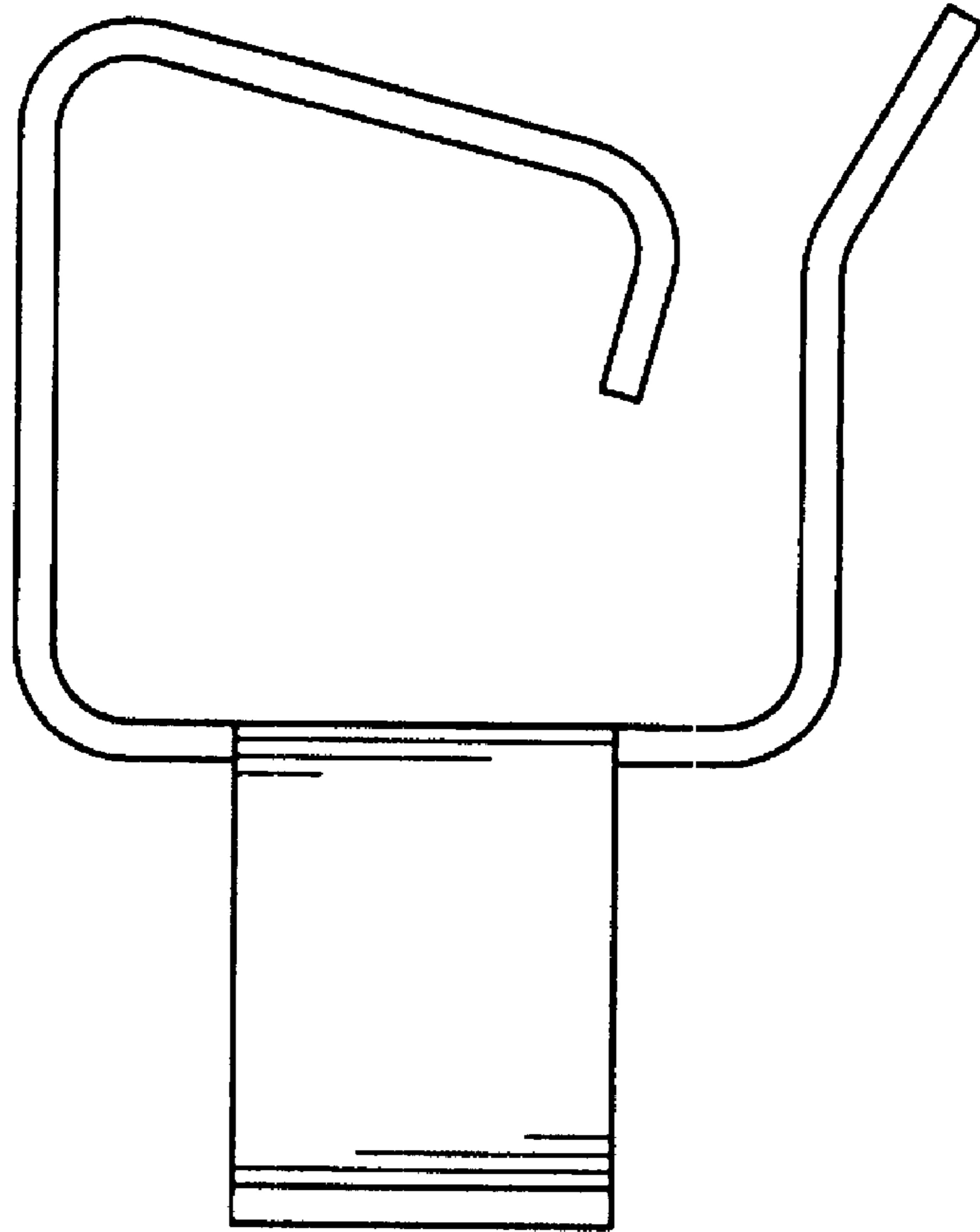


FIG. 3

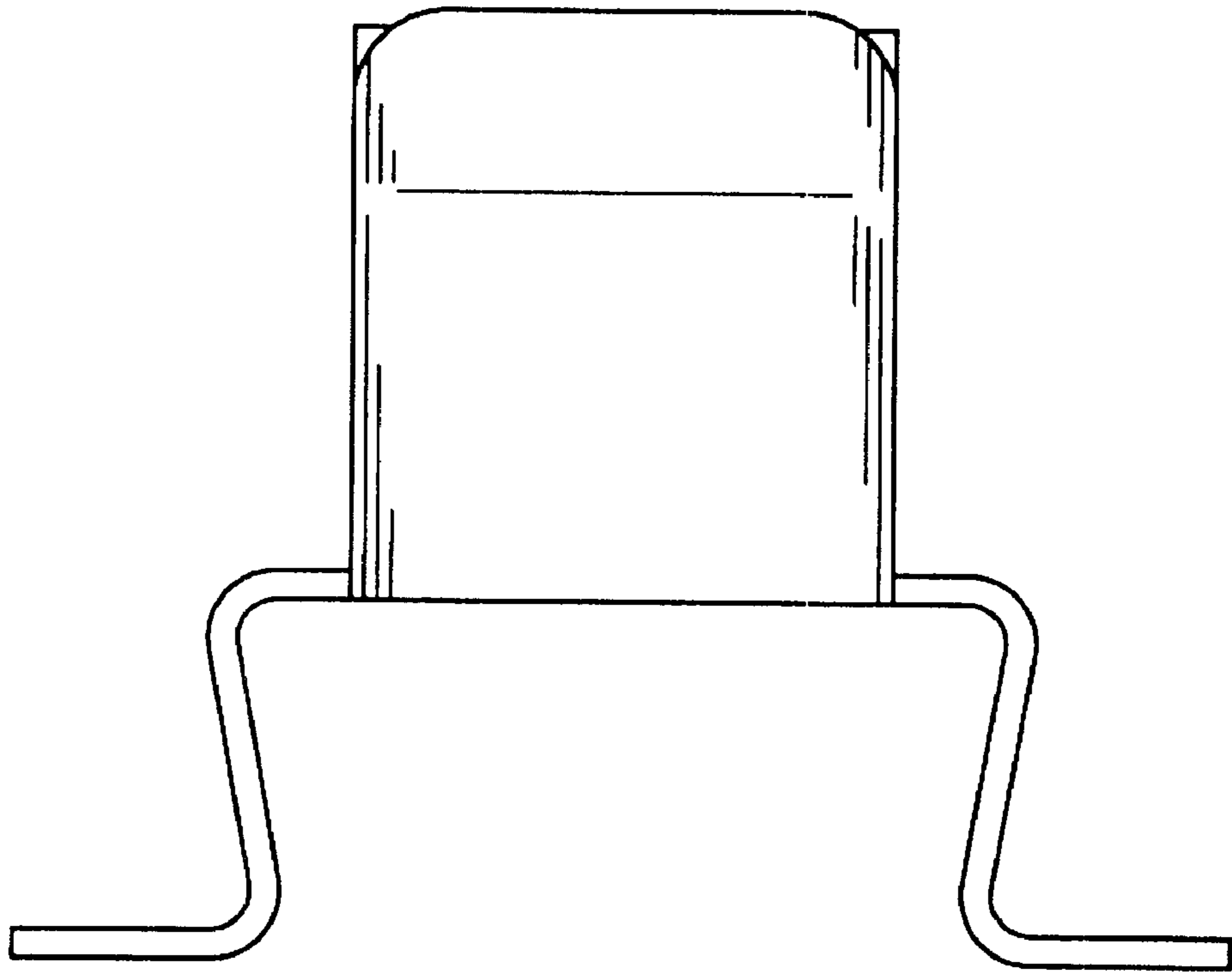


FIG. 4

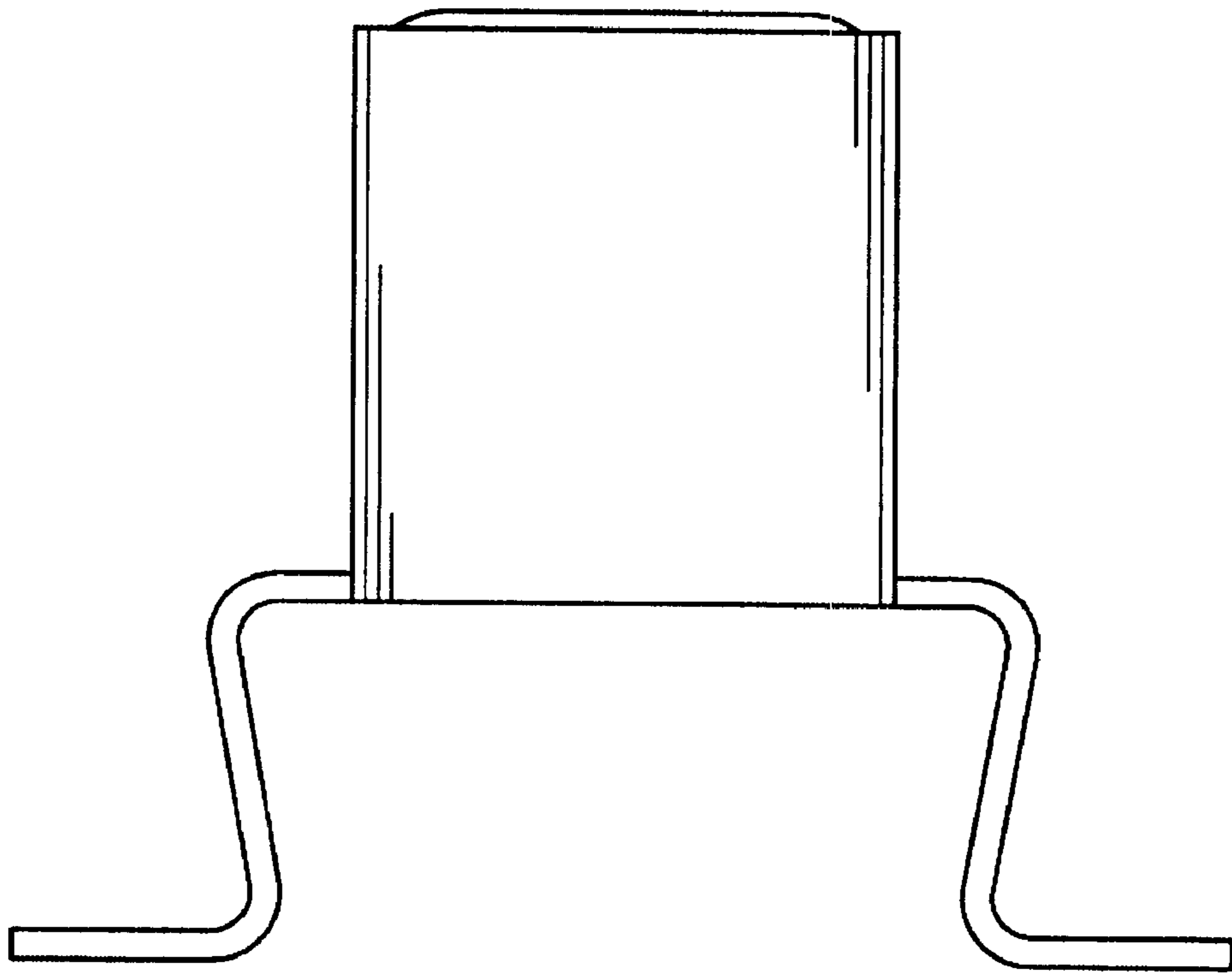


FIG. 5

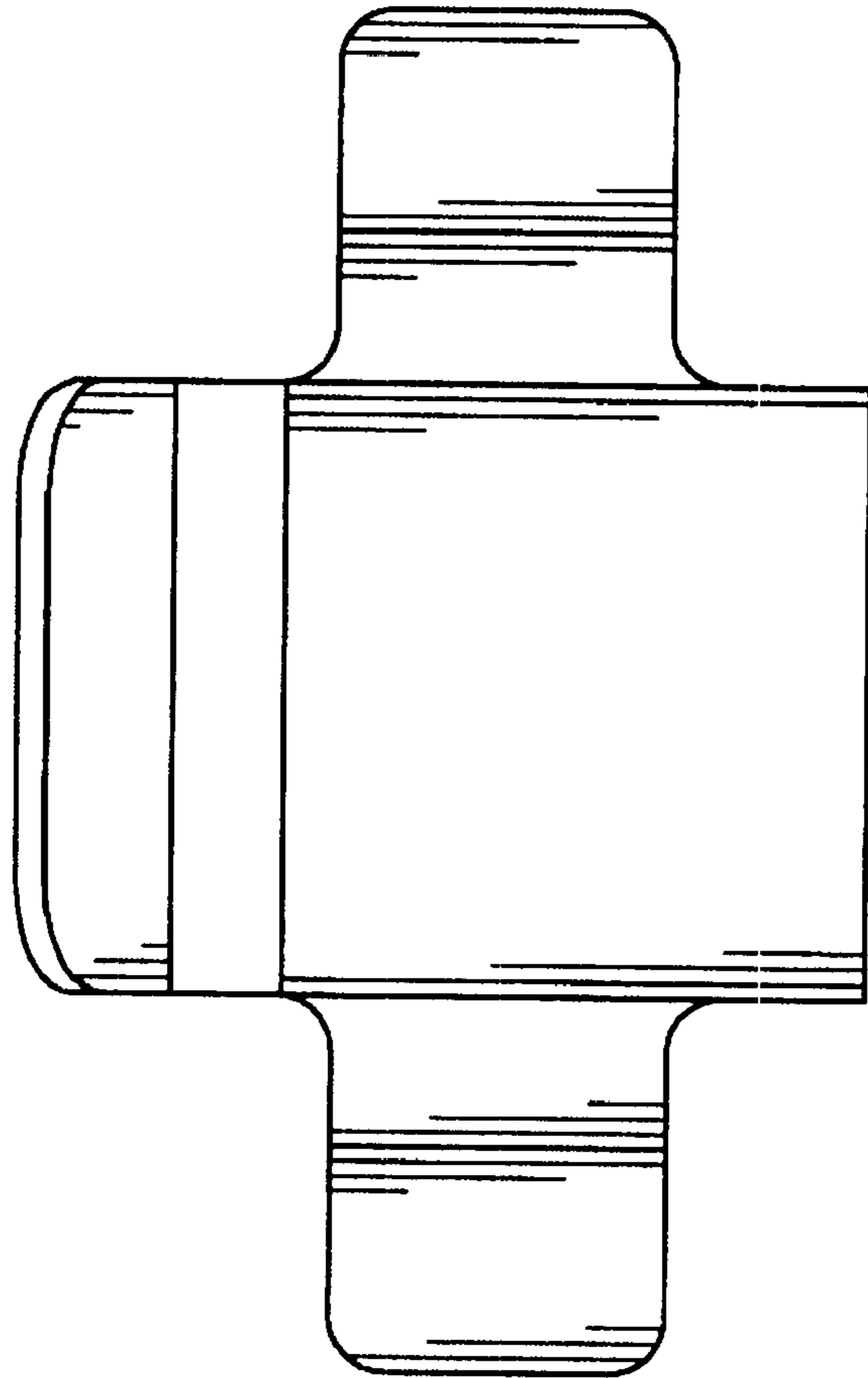


FIG. 6

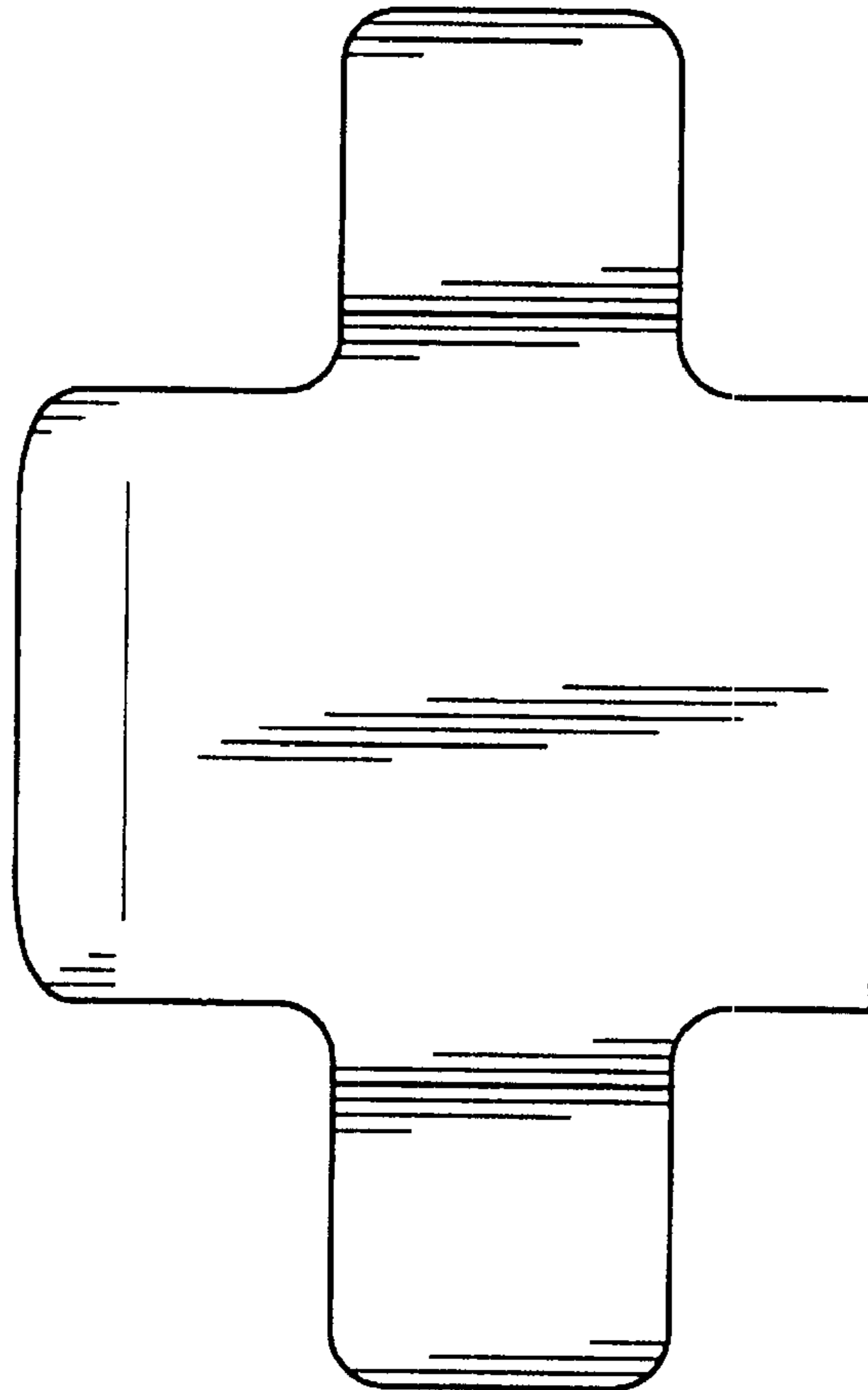


FIG. 7

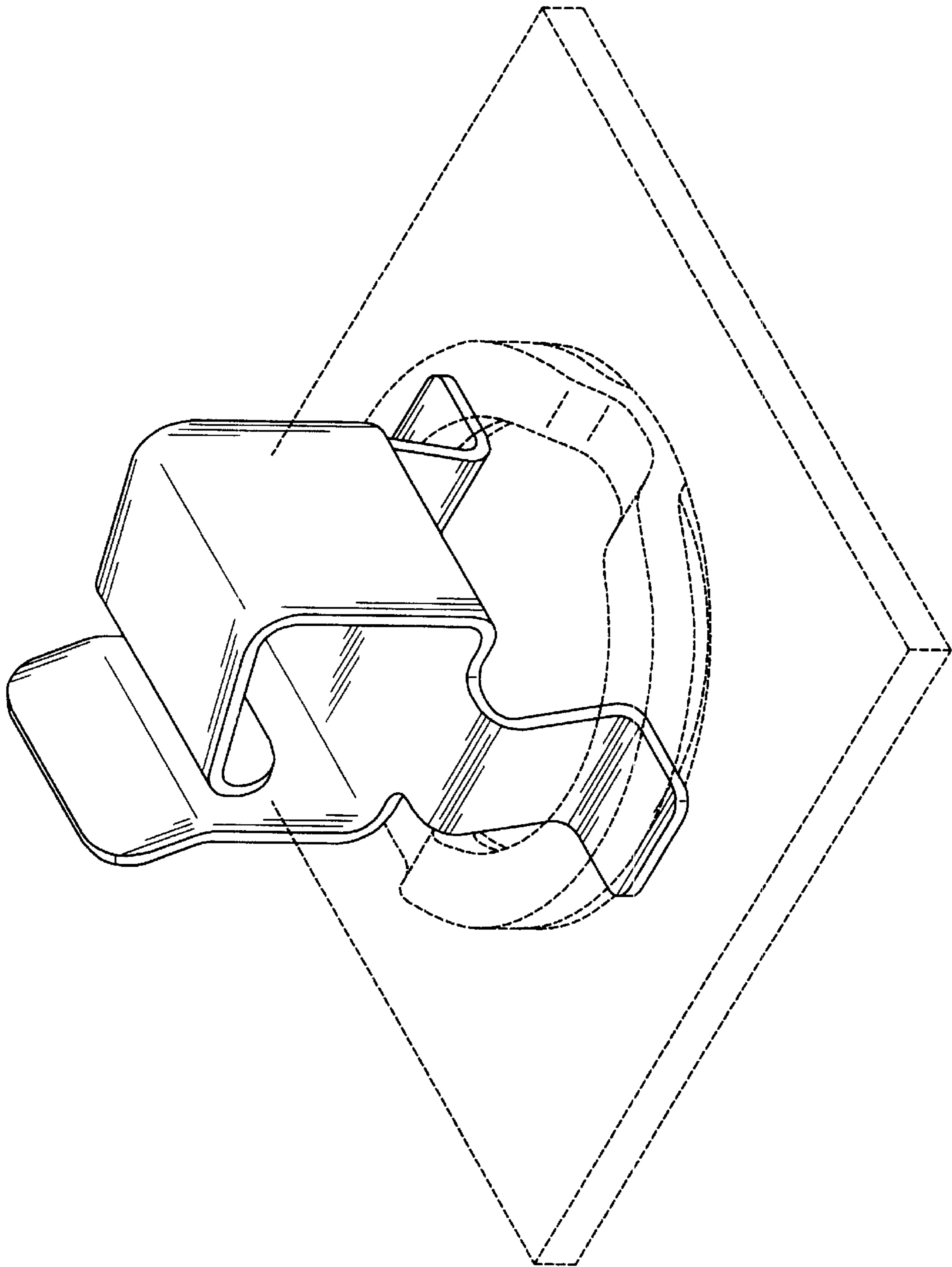


FIG. 8