



US00D473446S

(12) **United States Design Patent**  
**Quan et al.**

(10) **Patent No.:** **US D473,446 S**

(45) **Date of Patent:** **\*\* Apr. 22, 2003**

- (54) **DIAL FOR A LOCK**
- (75) Inventors: **Jon F. Quan**, Fountain Valley, CA  
(US); **Robert L. Gast**, Irvine, CA (US)
- (73) Assignee: **Hampton Products International Corporation**, Foothill Ranch, CA (US)
- (\*\*) Term: **14 Years**
- (21) Appl. No.: **29/158,863**
- (22) Filed: **Apr. 10, 2002**

- D205,005 S \* 6/1966 Harrell ..... 70/21 X
- D251,965 S \* 5/1979 Uyeda ..... D8/343
- 4,462,231 A \* 7/1984 Zabel ..... 70/21
- D276,408 S \* 11/1984 Zabel et al. .... D8/334
- D418,392 S \* 1/2000 Kelley ..... D8/334

\* cited by examiner

*Primary Examiner*—Brian N. Vinson  
(74) *Attorney, Agent, or Firm*—William G. Lane

**Related U.S. Application Data**

- (63) Continuation-in-part of application No. 29/132,239, filed on Nov. 6, 2000, now Pat. No. Des. 459,971.
- (51) **LOC (7) Cl.** ..... **08-07**
- (52) **U.S. Cl.** ..... **D8/343; D8/334**
- (58) **Field of Search** ..... D8/343, 334; 70/20,  
70/22, 51, 52

**References Cited**

**U.S. PATENT DOCUMENTS**

- 2,690,664 A \* 10/1954 Miller ..... 70/21

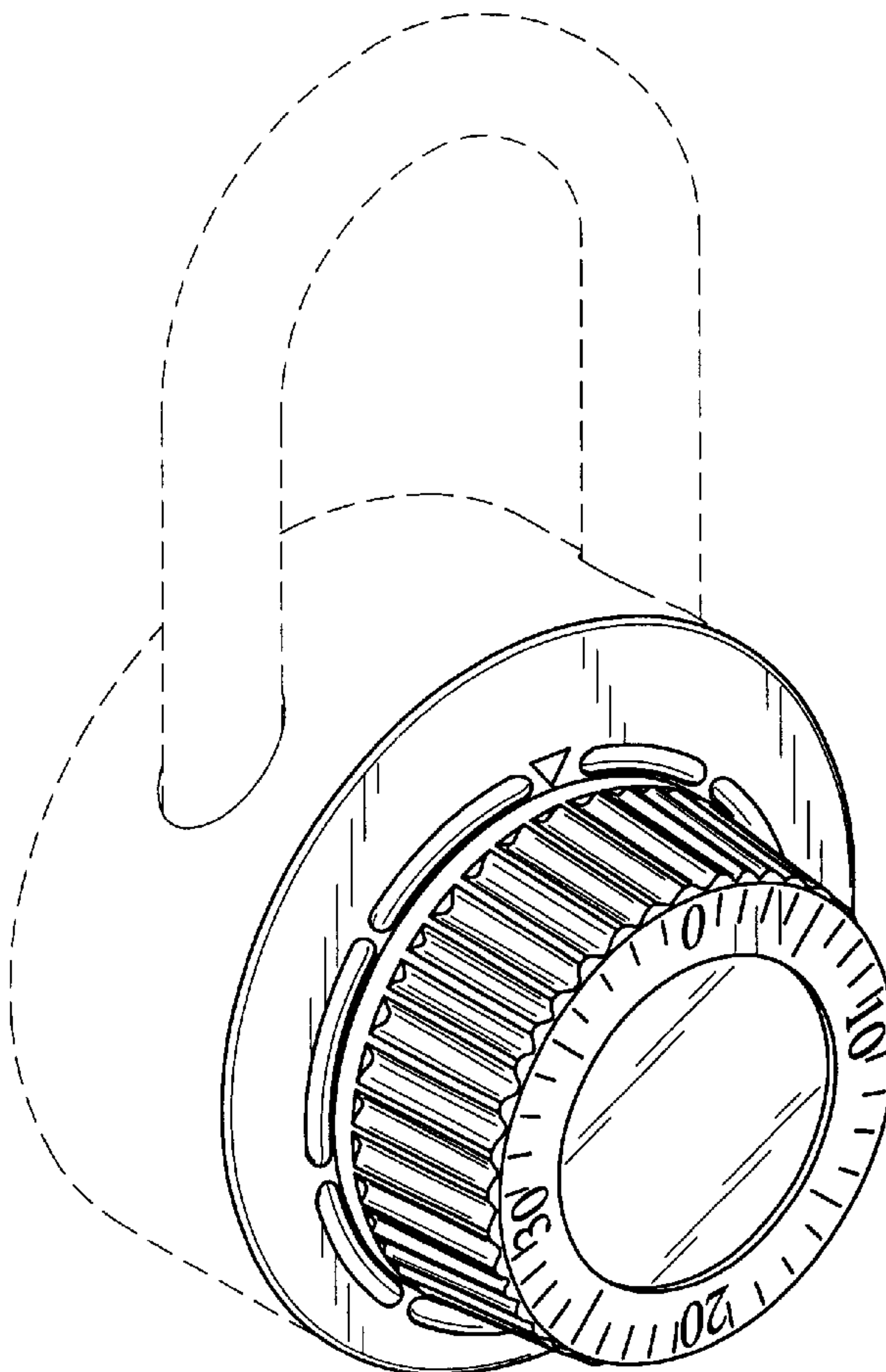
(57) **CLAIM**

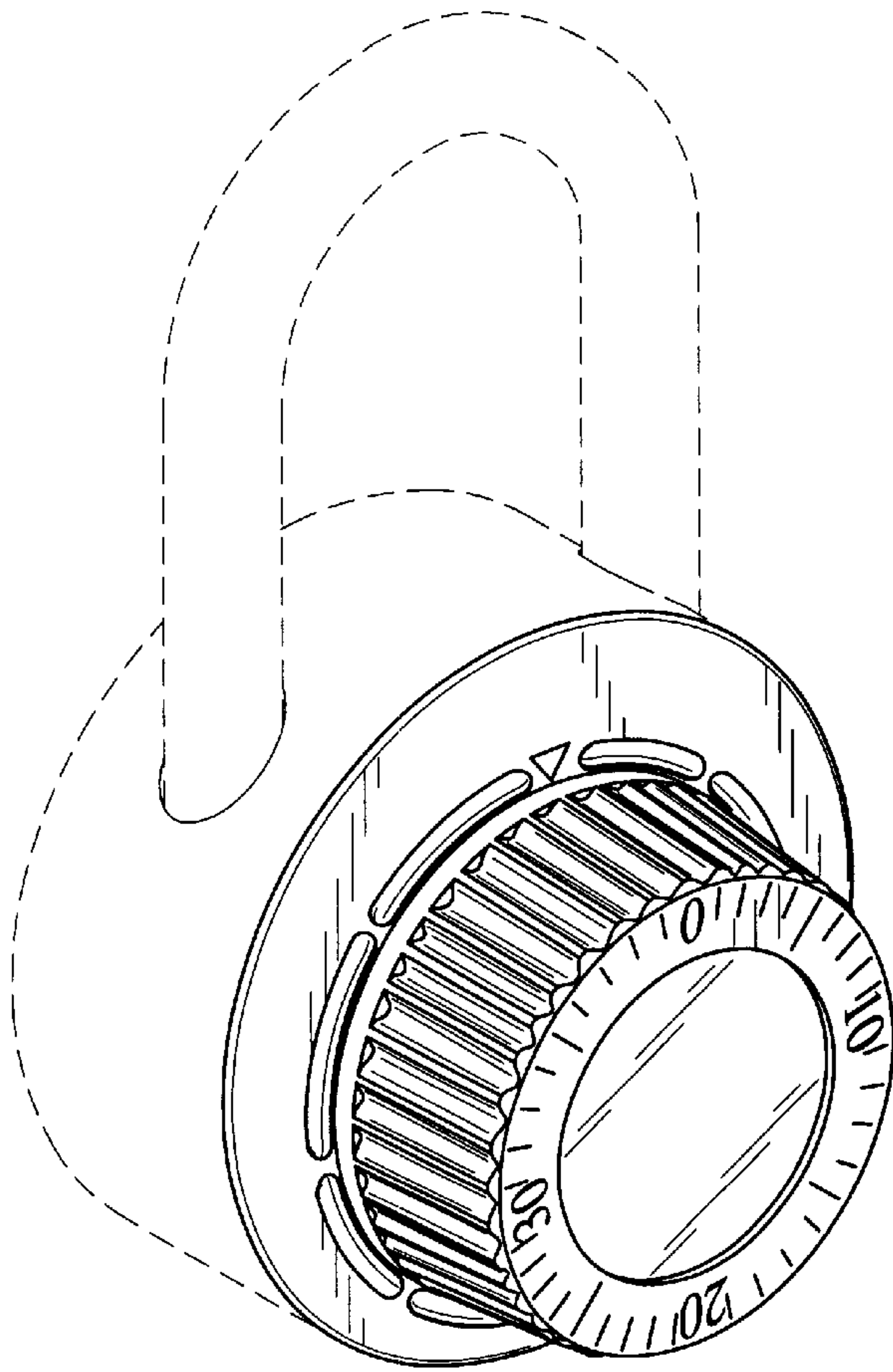
The ornamental design for a dial for a lock, as shown and described.

**DESCRIPTION**

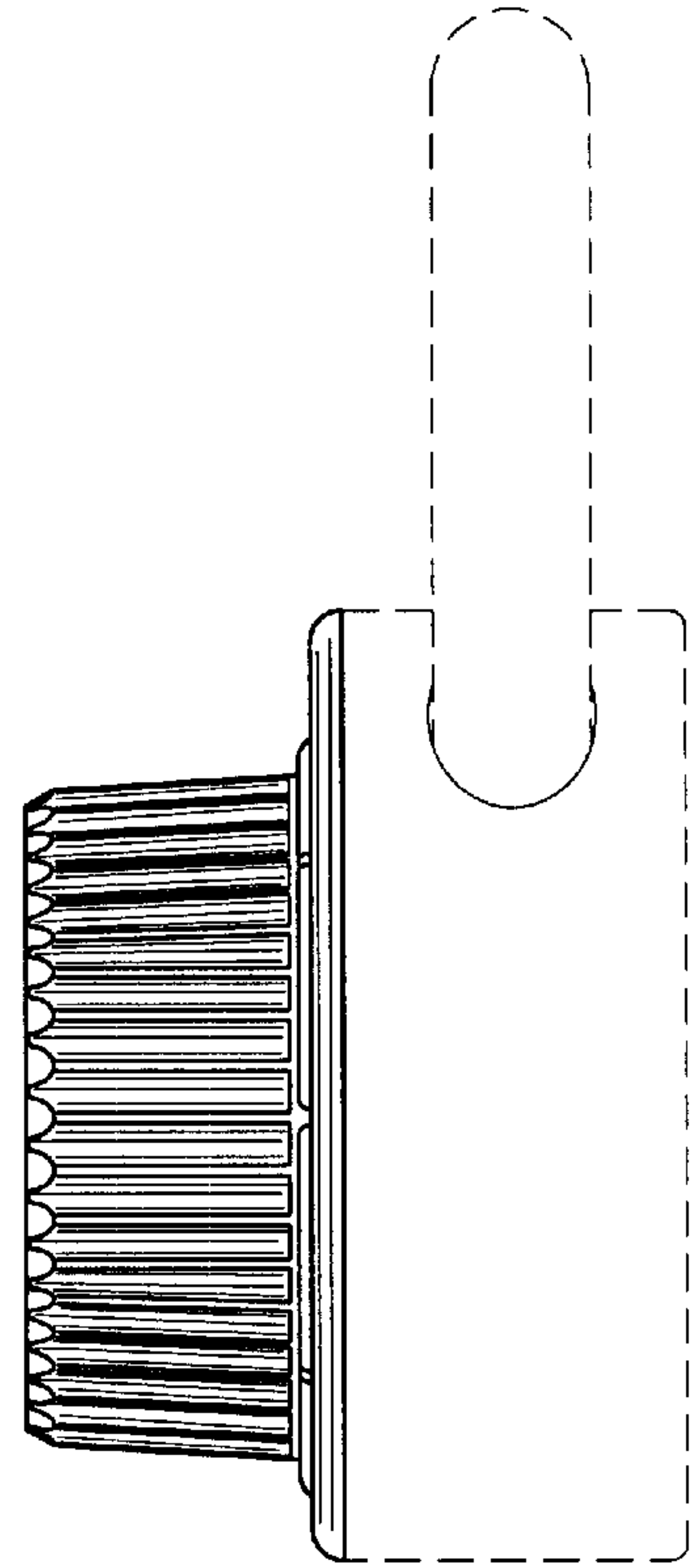
FIG. 1 is a top, front, and left side perspective view of a dial for a lock showing our new design;  
FIG. 2 is a right side elevational view thereof; and,  
FIG. 3 is a front elevational view thereof.  
In FIGS. 1, 2 and 3, the body and shackle of the lock is shown in phantom.

**1 Claim, 1 Drawing Sheet**

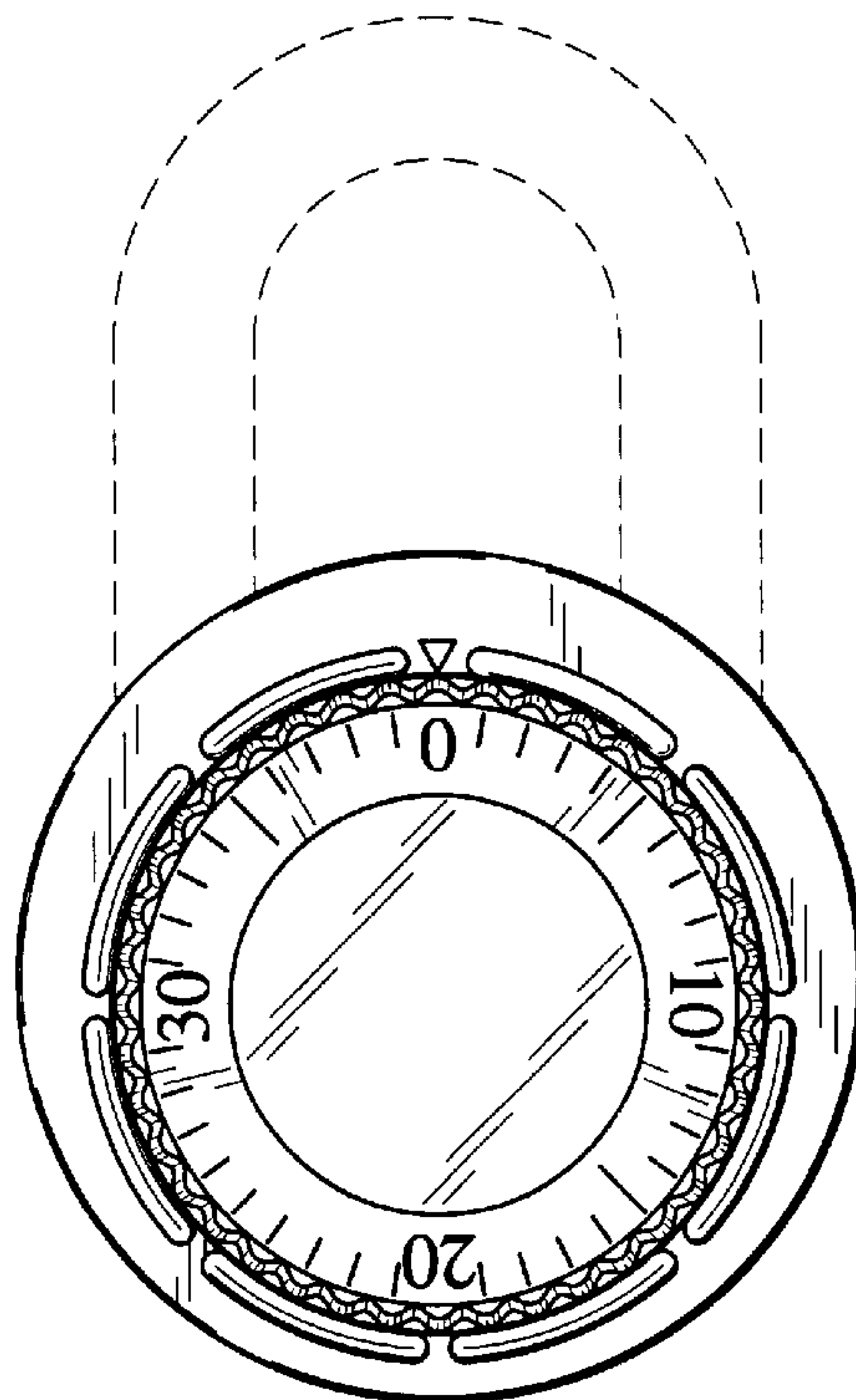




*Fig. 1*



*Fig. 2*



*Fig. 3*