



US00D473445S

(12) **United States Design Patent**
Snider

(10) **Patent No.:** **US D473,445 S**

(45) **Date of Patent:** **** Apr. 22, 2003**

- (54) **HANDGUARD**
- (75) Inventor: **Gregory Scott Snider**, Bel Air, MD (US)
- (73) Assignee: **Black & Decker Inc.**, Newark, DE (US)
- (**) Term: **14 Years**
- (21) Appl. No.: **29/159,320**
- (22) Filed: **Apr. 18, 2002**
- (51) **LOC (7) Cl.** **08-03**
- (52) **U.S. Cl.** **D8/97; D8/95**
- (58) **Field of Search** D8/95, 96, 97, D8/98; 30/506, 507, 508, 509, 510, 511, 512, 513, 514, 516, 517

5,722,173 A	*	3/1998	Huang	30/510
5,768,788 A		6/1998	Arnold	30/513
5,826,344 A		10/1998	Phelon et al.	30/513
D409,892 S		5/1999	Juhlin	D8/96
6,070,330 A		6/2000	Phelon et al.	30/513
6,079,109 A		6/2000	Ranieri	30/513
6,134,791 A		10/2000	Huang	30/513
6,266,887 B1		7/2001	Owens et al.	30/513

FOREIGN PATENT DOCUMENTS

FR 2 293 277 12/1974

* cited by examiner

Primary Examiner—Philip S. Hyder

(74) *Attorney, Agent, or Firm*—Harness, Dickey & Pierce, P.L.C.

(57) **CLAIM**

The ornamental design for a handguard, as shown and described.

DESCRIPTION

FIG. 1 is a side perspective view of a handguard showing my new design;
 FIG. 2 is a front perspective view of the handguard of FIG. 1;
 FIG. 3 is a front elevational view of the handguard of FIG. 1;
 FIG. 4 is a rear elevational view of the handguard of FIG. 1;
 FIG. 5 is a bottom plan view of the handguard of FIG. 1, the top plan view being a mirror image thereof; and,
 FIG. 6 is a left side elevational view of the handguard of FIG. 1, the right side elevational view being a mirror image thereof.

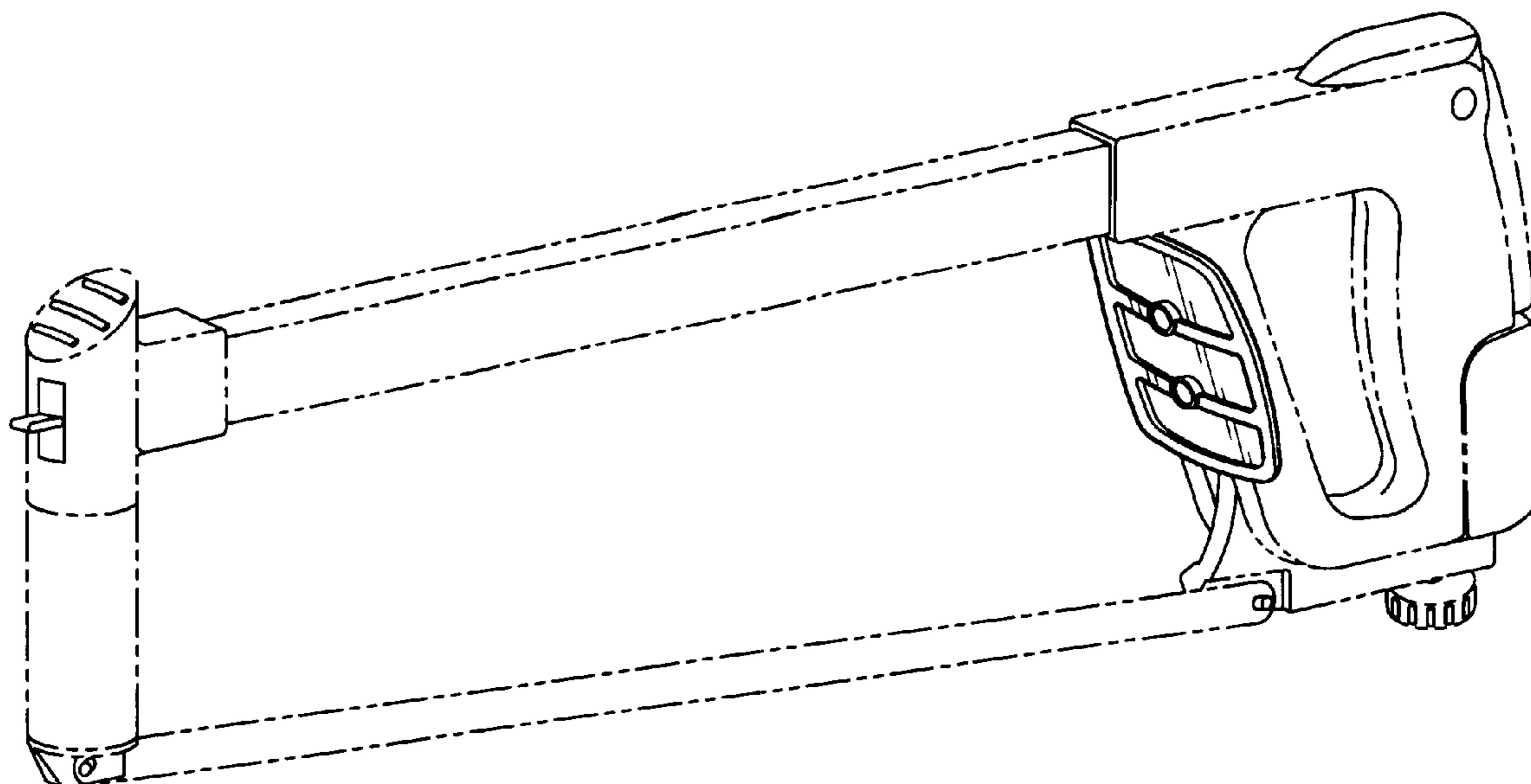
The broken lines showing the outline of a hacksaw frame in FIGS. 1 and 2 and a hacksaw blade in FIG. 1 are environmental only and form no part of the claimed design.

1 Claim, 2 Drawing Sheets

(56) **References Cited**

U.S. PATENT DOCUMENTS

1,713,972 A	5/1929	Lufkin	
1,840,925 A	1/1932	Welch	
2,399,869 A	5/1946	Hough	
3,327,748 A	6/1967	Reuterfors	30/513
3,602,278 A	8/1971	Brucken	
3,727,655 A	4/1973	Garcher	
3,822,731 A	7/1974	Keymer	30/513
3,848,649 A	11/1974	Wanless	
D245,754 S	9/1977	Breger	D8/96
4,367,779 A	1/1983	Ewig	30/506
4,466,471 A	8/1984	Thomson	30/517
D276,407 S	* 11/1984	Jacoff	D8/96
4,592,145 A	6/1986	Egan et al.	30/507
D318,006 S	7/1991	Wanner et al.	D8/96
5,074,002 A	12/1991	Huang	7/149
5,325,597 A	* 7/1994	Clifton, Jr.	30/514
5,388,333 A	* 2/1995	Chen	30/508
D370,610 S	6/1996	Neyton	D8/96
5,673,488 A	10/1997	Grayo	30/513



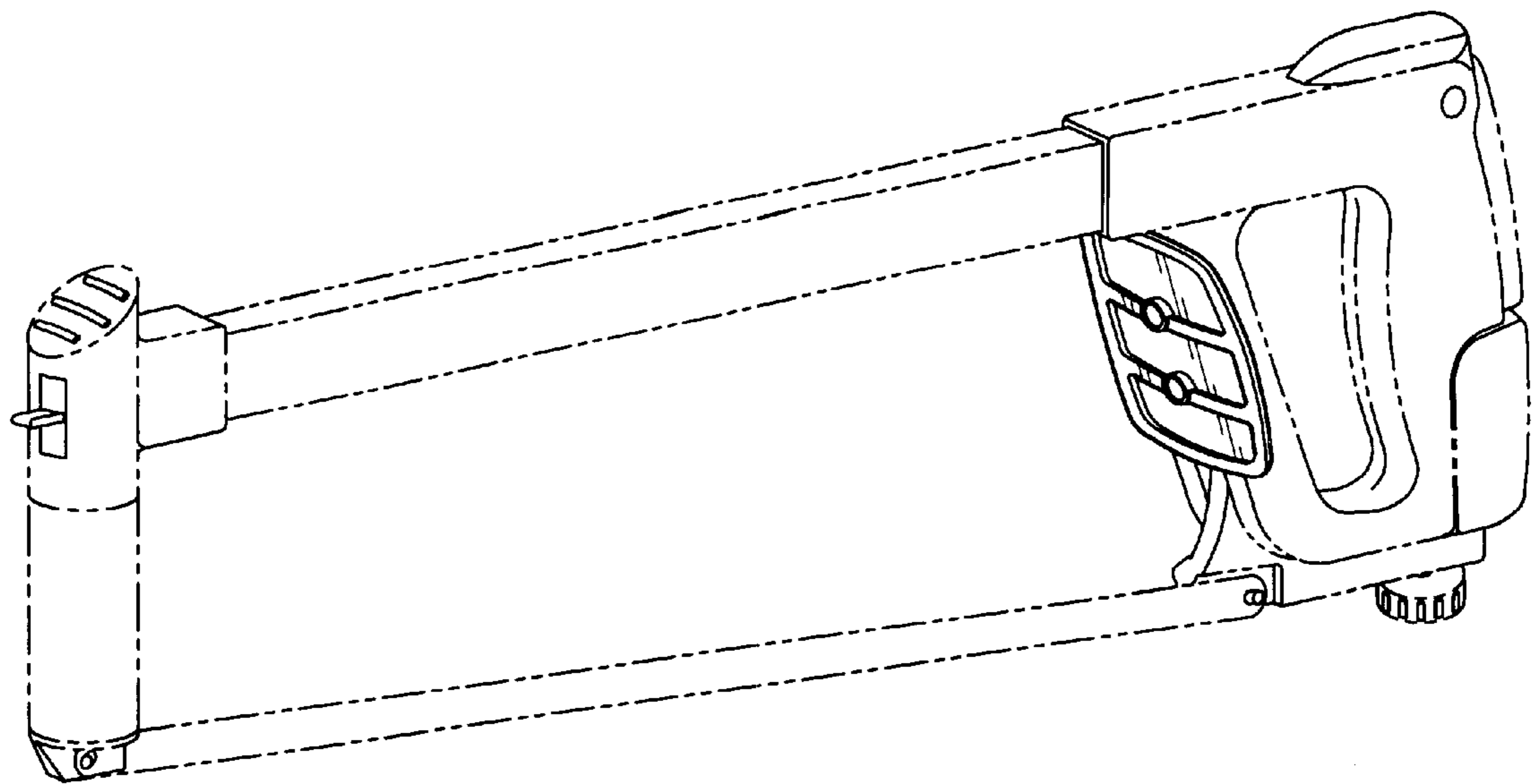


Fig-1

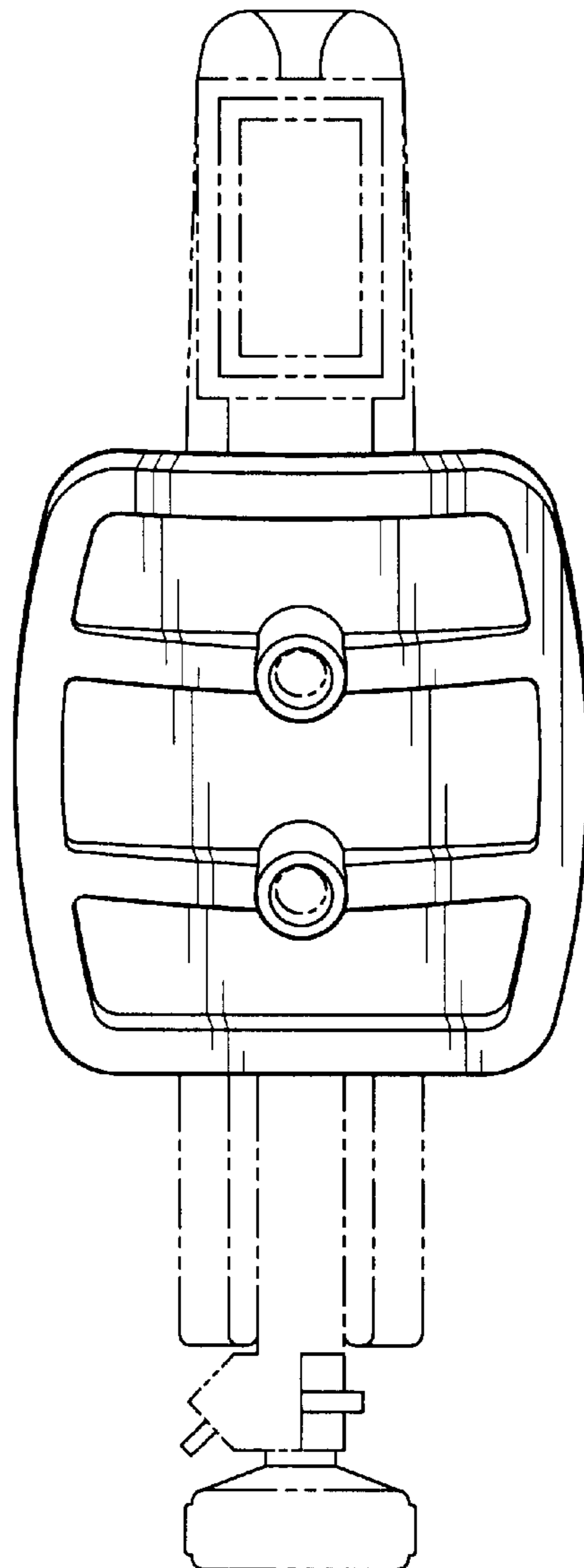


Fig-2

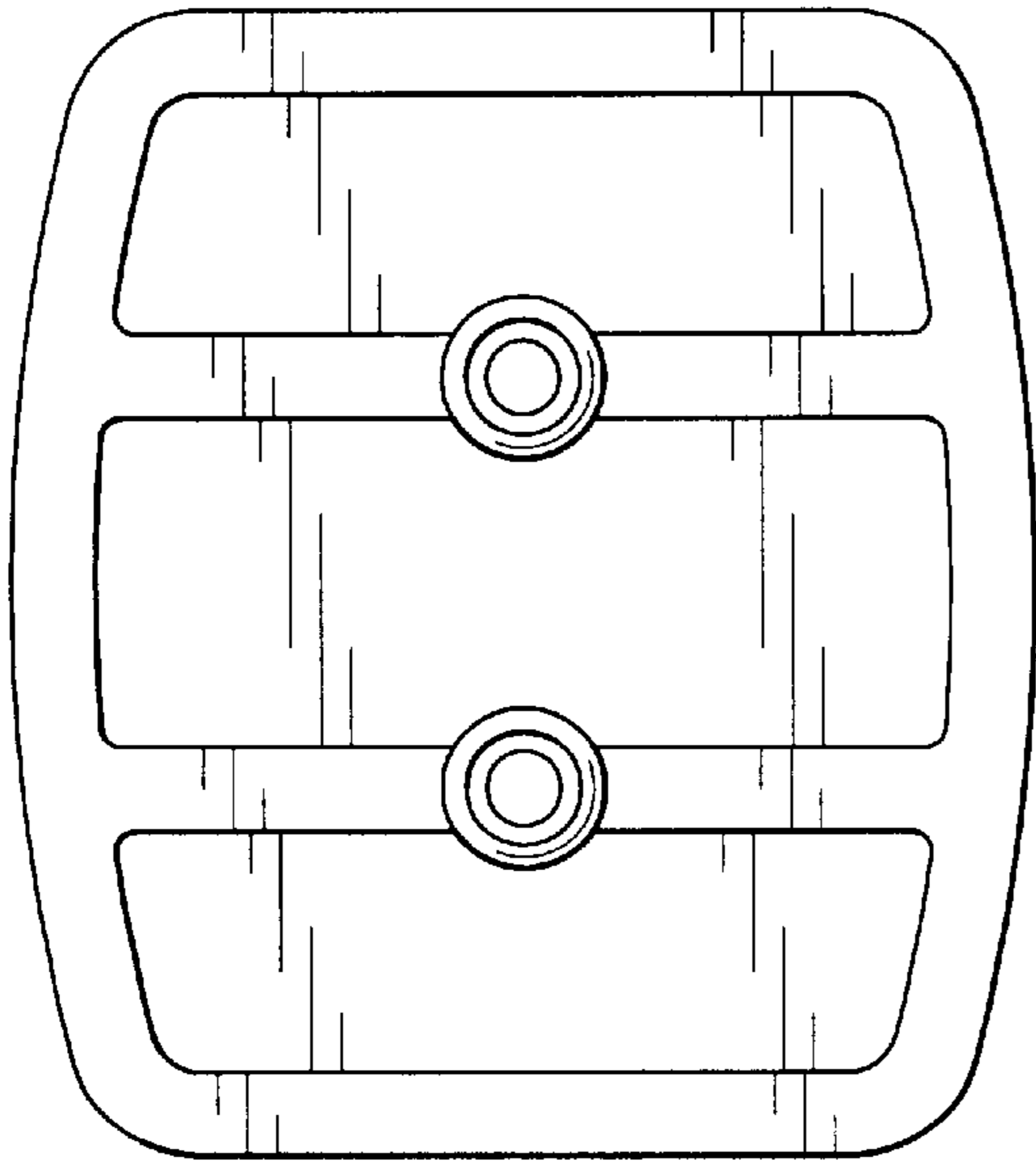


Fig-3

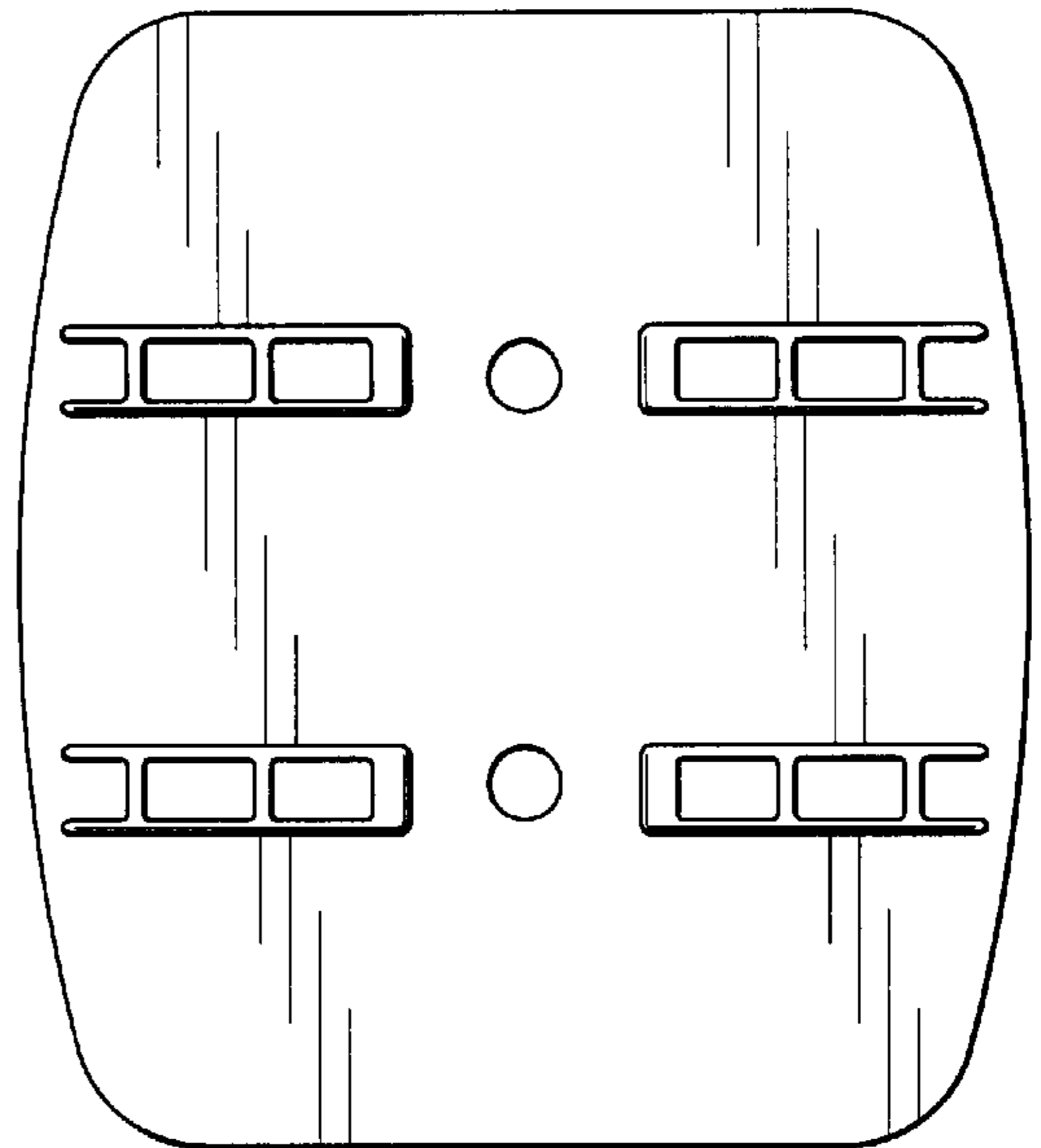


Fig-4

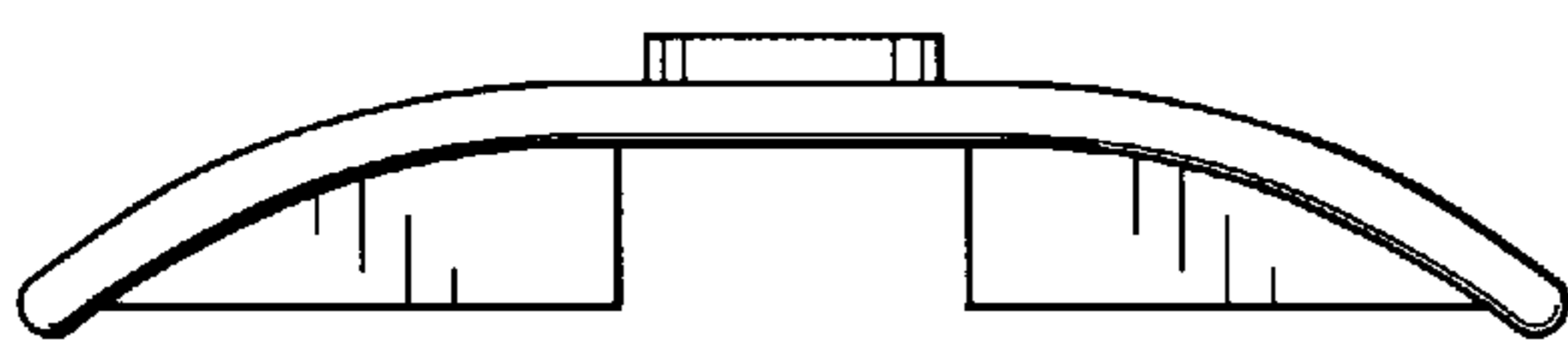


Fig-5



Fig-6