



US00D473443S

(12) **United States Design Patent**
Metcalf

(10) **Patent No.:** **US D473,443 S**

(45) **Date of Patent:** **** Apr. 22, 2003**

(54) **SCREWDRIVER HANDLE**

(75) Inventor: **Michael Metcalf**, Colorado Springs,
CO (US)

(73) Assignee: **Emerson Electric Co.**, St. Louis, MO
(US)

(**) Term: **14 Years**

(21) Appl. No.: **29/156,831**

(22) Filed: **Mar. 7, 2002**

(51) **LOC (7) Cl.** **08-04**

(52) **U.S. Cl.** **D8/83; D8/107**

(58) **Field of Search** D8/82, 83, 84,
D8/85, 86, 87, 107; 81/177.1, 436, 437,
438, 439, 489

(56) **References Cited**

U.S. PATENT DOCUMENTS

D142,267 S *	8/1945	Walraven	D8/82
D143,931 S *	2/1946	Odlum	D8/83
3,586,080 A	6/1971	Slany	81/436
D229,475 S	12/1973	Uboldi	D8/82
D310,472 S *	9/1990	Mader et al.	D8/82
D329,367 S	9/1992	Landy	D8/83
D344,002 S	2/1994	McKinney et al.	D8/82
D351,549 S	10/1994	Lee	D8/83
D360,123 S	7/1995	Shu	D8/83
5,431,075 A	7/1995	Cruz et al.	81/492
5,530,989 A	7/1996	Remmert et al.	16/430
D378,186 S *	2/1997	Braun	D8/83

D383,661 S	9/1997	Chang	D8/83
D398,506 S	9/1998	Grizzaffi, Jr.	D8/82
D398,507 S	9/1998	Thompson et al.	D8/83
D398,508 S	9/1998	Thompson et al.	D8/83
D408,253 S	4/1999	Rowlay	D8/83
D448,642 S	10/2001	Hermann	D8/83

OTHER PUBLICATIONS

Techni-Tool Catalog, 1996, pp. 60 through 63, Screwdrivers.*

* cited by examiner

Primary Examiner—Philip S. Hyder

(74) *Attorney, Agent, or Firm*—Howrey Simon Arnold & White

(57) **CLAIM**

The ornamental design for a screwdriver handle, as shown and described.

DESCRIPTION

FIG. 1 is a first side view of the screwdriver, showing my new design;

FIG. 2 is a second side view thereof;

FIG. 3 is a first end view thereof;

FIG. 4 is a second end view thereof, showing the end opposite that shown in FIG. 3.

FIG. 5 is a third side view; and,

FIG. 6 is a fourth side view.

The portions of the drawings shown in broken lines form no part of the claimed design.

1 Claim, 2 Drawing Sheets

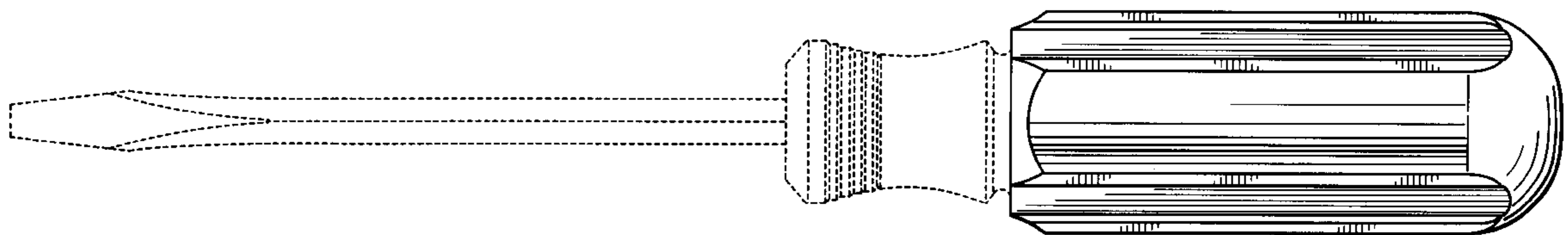


FIG. 1

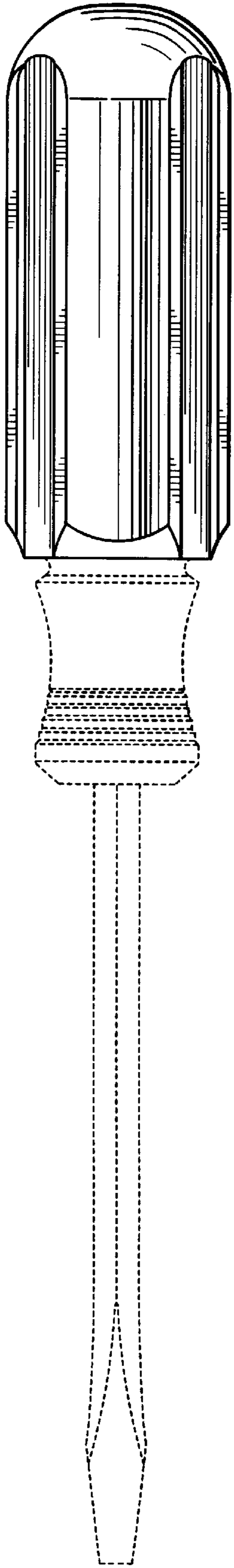


FIG. 2

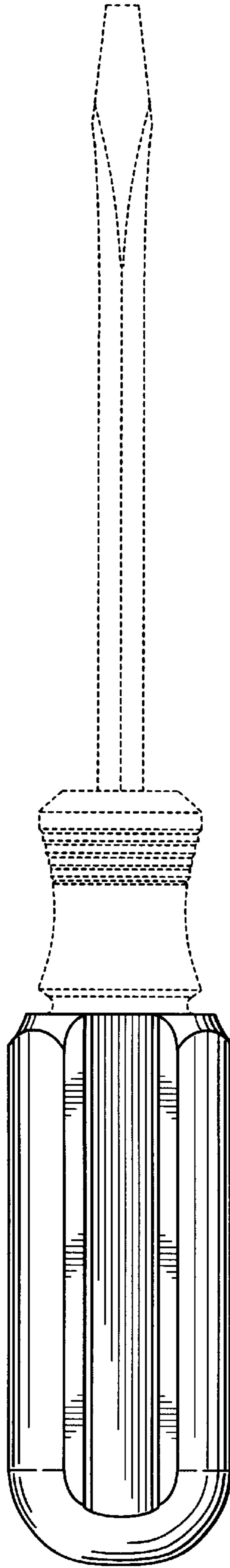


FIG. 3

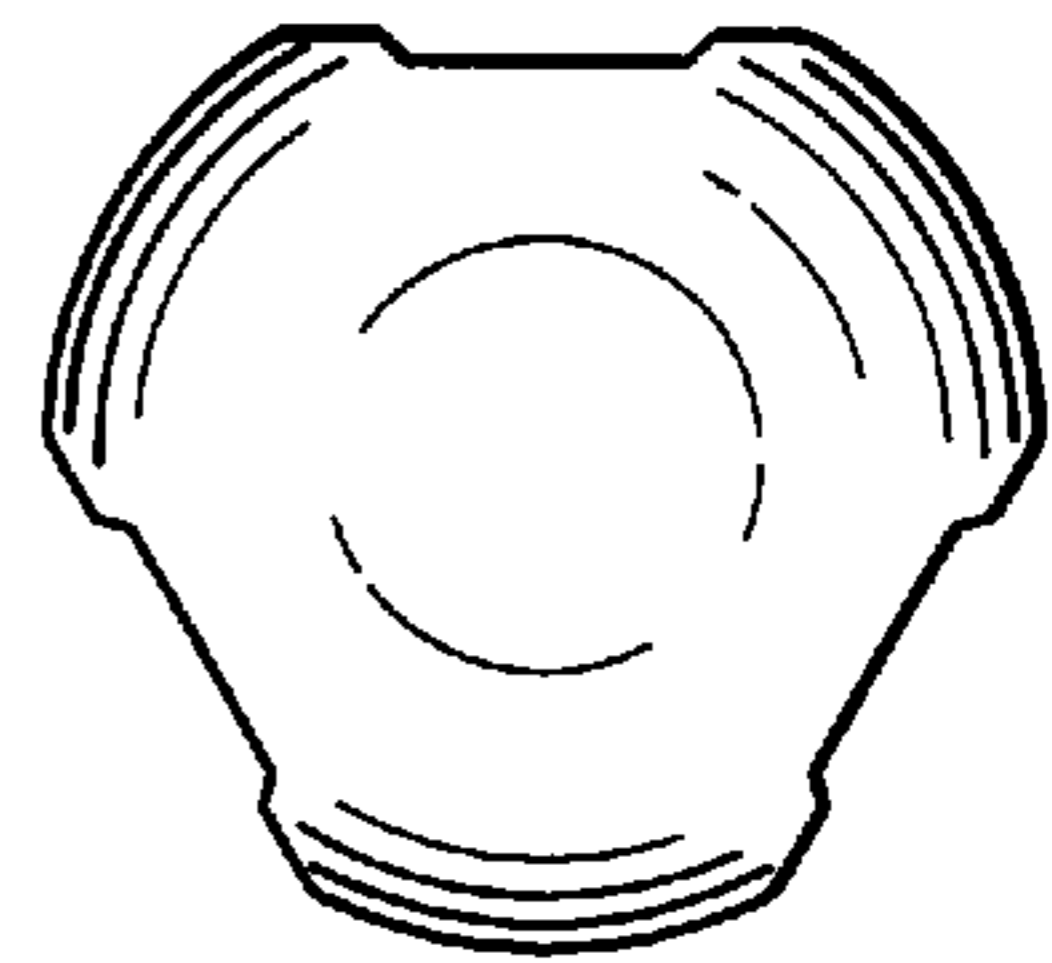


FIG. 4

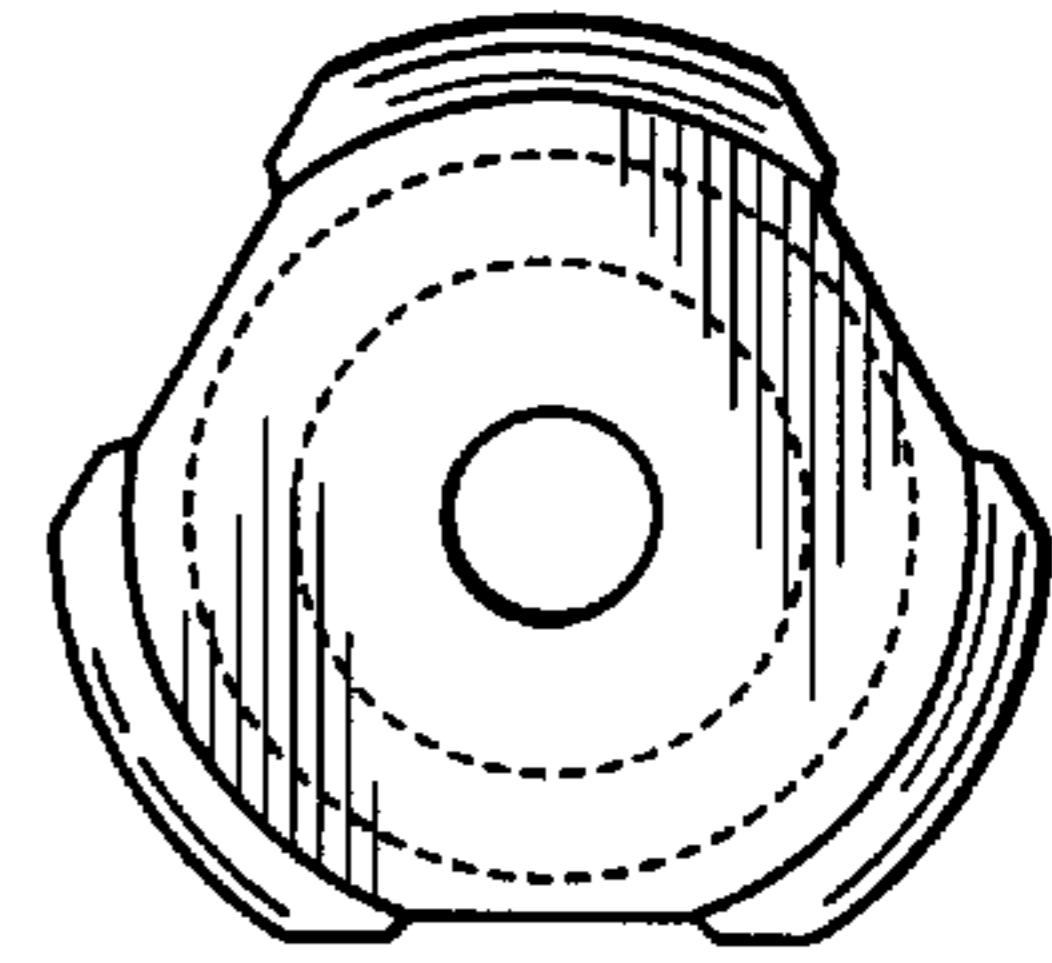


FIG. 5

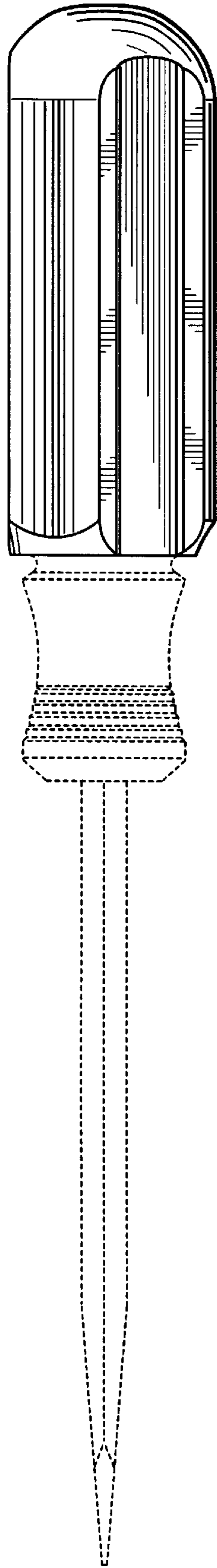


FIG. 6

