



US00D473441S

(12) **United States Design Patent**
Cross

(10) **Patent No.:** **US D473,441 S**

(45) **Date of Patent:** **** Apr. 22, 2003**

(54) **CLAMP**

GB 2316025 A 2/1998
WO WO 88/08434 10/1988

(75) Inventor: **John David Cross**, West Midlands
(GB)

OTHER PUBLICATIONS

(73) Assignee: **Record Tools Limited**, Sheffield (GB)

Record Hand Tools catalogue, established in 1898 Sheffield England, catalogue printed in the United Kingdom prior to Jan 1, 2001, sections cited include Vices pp. 4 to 15, Woodworking Vices pp. 16 to 19, G-Clamps pp. 20 to 22, Bar Clamps pp. 23 to 27 and *Genuine Record Spares* pp. 67 to 69.

(**) Term: **14 Years**

(21) Appl. No.: **29/138,054**

(22) Filed: **Mar. 5, 2001**

* cited by examiner

(30) **Foreign Application Priority Data**

Sep. 6, 2000 (GB) 2095584

Primary Examiner—Louis S. Zarfes

Assistant Examiner—Deanne Levy

(51) **LOC (7) Cl.** **08-03**

(52) **U.S. Cl.** **D8/74**

(74) *Attorney, Agent, or Firm*—Brinks Hofer Gilson & Lione

(58) **Field of Search** D8/71-74; 81/363,
81/429; 269/98, 247, 252, 253, 32; 24/486,
525

(57) **CLAIM**

The ornamental design for a clamp, as shown and described.

(56) **References Cited**

U.S. PATENT DOCUMENTS

921,296 A * 5/1909 Smith 269/253
1,125,911 A * 1/1915 Periolat 269/187
4,555,100 A 11/1985 Ditto
4,758,159 A * 7/1988 Weissman 433/161
4,926,722 A 5/1990 Sorensen et al.

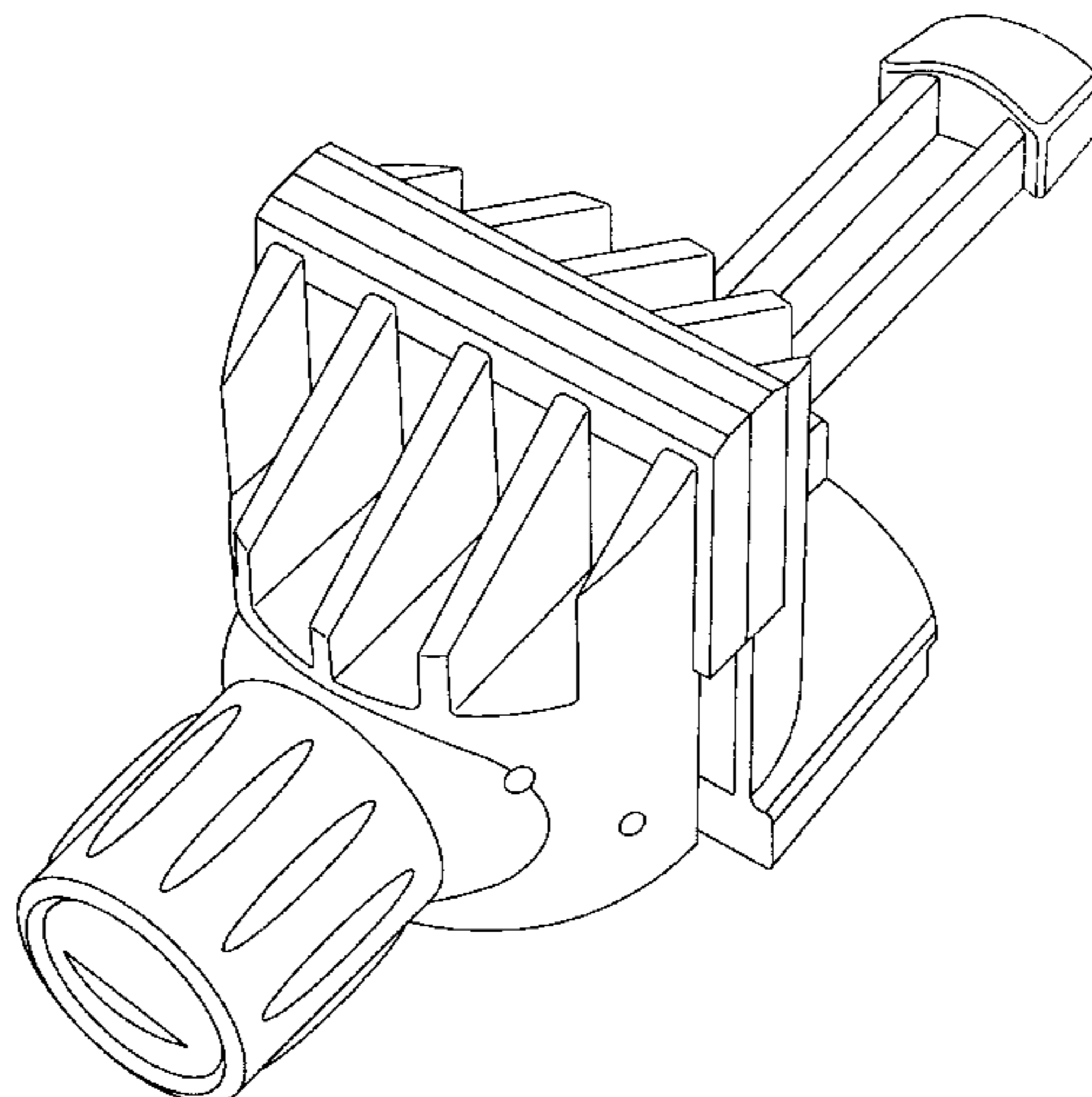
DESCRIPTION

FIG. 1 shows a perspective view of a first embodiment of the clamp in the closed position, according to my design;
FIG. 2 shows a top plan view thereof;
FIG. 3 shows a bottom plan view thereof;
FIG. 4 shows a right side plan view thereof;
FIG. 5 shows a left side plan view thereof;
FIG. 6 shows a front plan view thereof;
FIG. 7 shows a rear plan view thereof;
FIG. 8 shows a perspective view of a second embodiment of the clamp in the closed position mounted on a base, according to my design;
FIG. 9 shows a top plan view thereof;
FIG. 10 shows a bottom plan view thereof;
FIG. 11 shows a right side plan view thereof;
FIG. 12 shows a left side plan view thereof;
FIG. 13 shows a front plan view thereof; and,
FIG. 14 shows a rear plan view thereof.

FOREIGN PATENT DOCUMENTS

EP 0019901 A1 5/1980
EP 0201817 A2 5/1986
GB 344317 3/1931
GB 462834 3/1937
GB 637632 5/1950
GB 1376105 12/1974
GB 2103122 A 2/1983
GB 2178689 A 2/1987
GB 2187121 A 9/1987
GB 2221634 A 2/1990
GB 2272175 A 5/1994

1 Claim, 14 Drawing Sheets



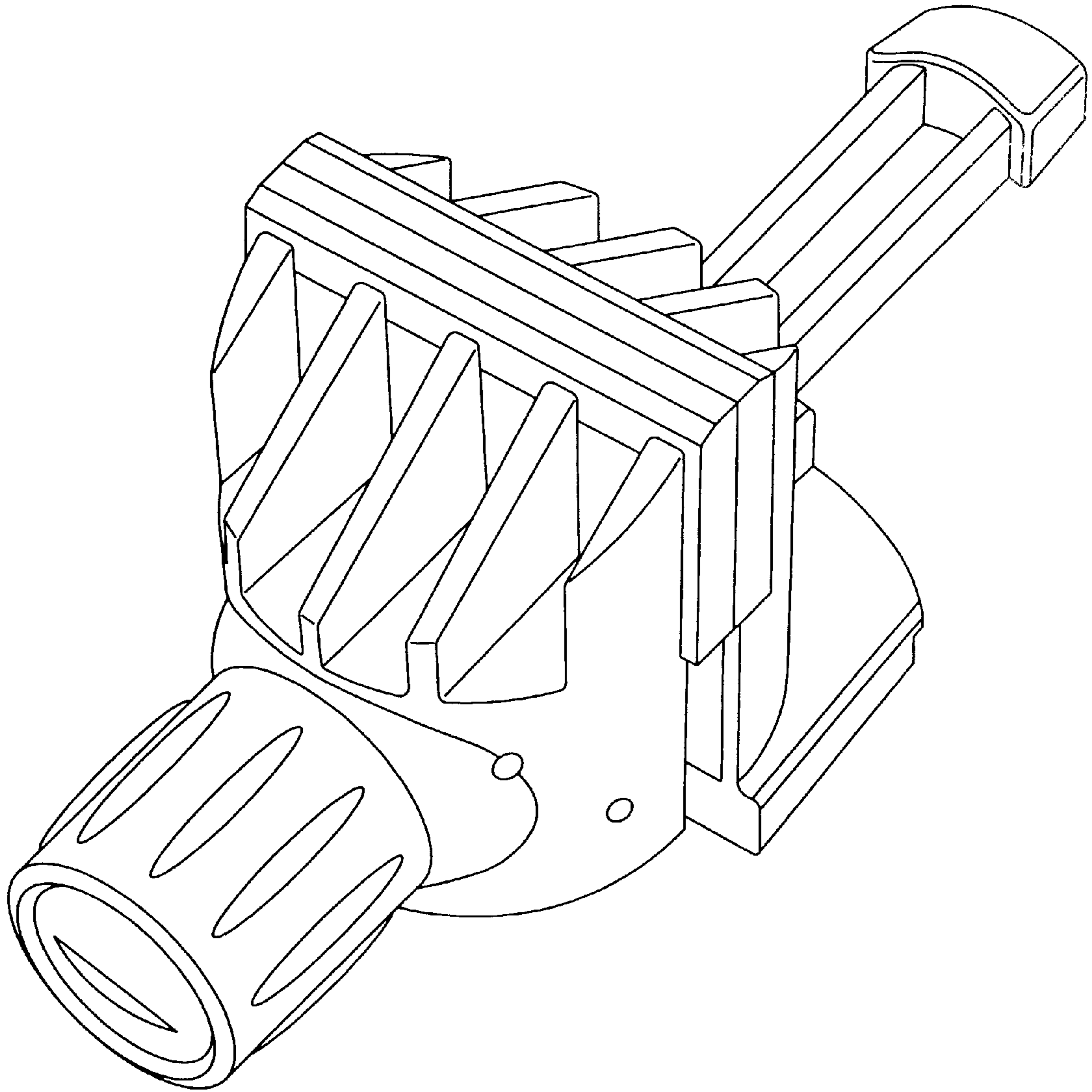


FIG. 1

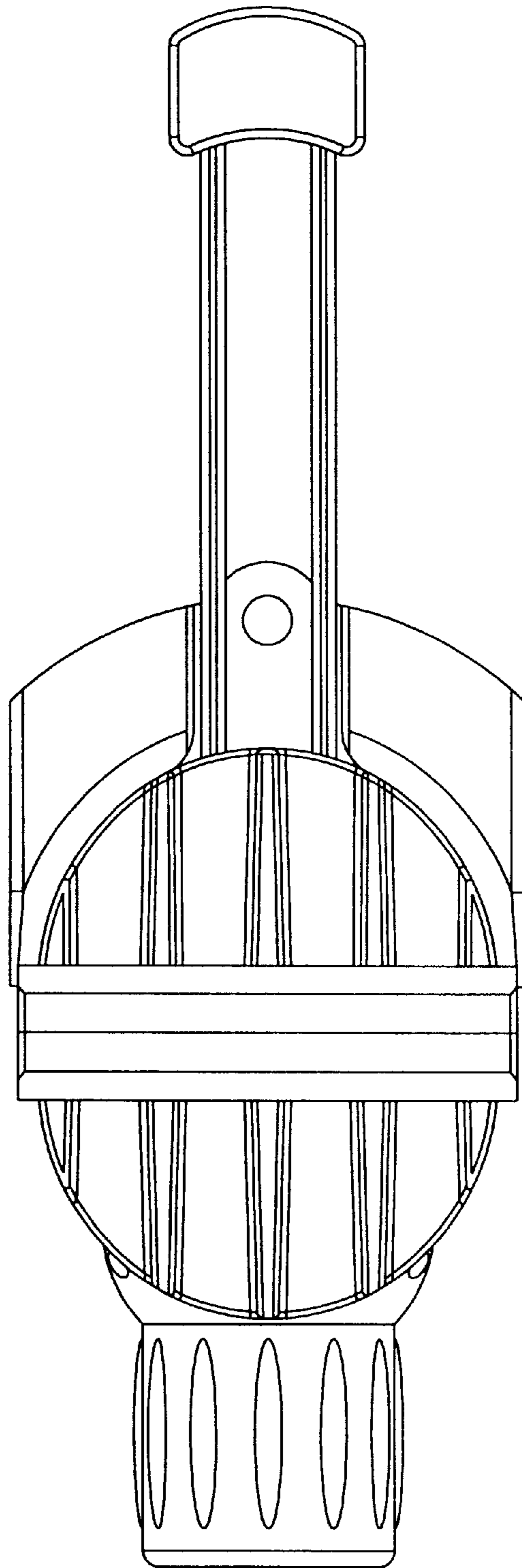


FIG. 2

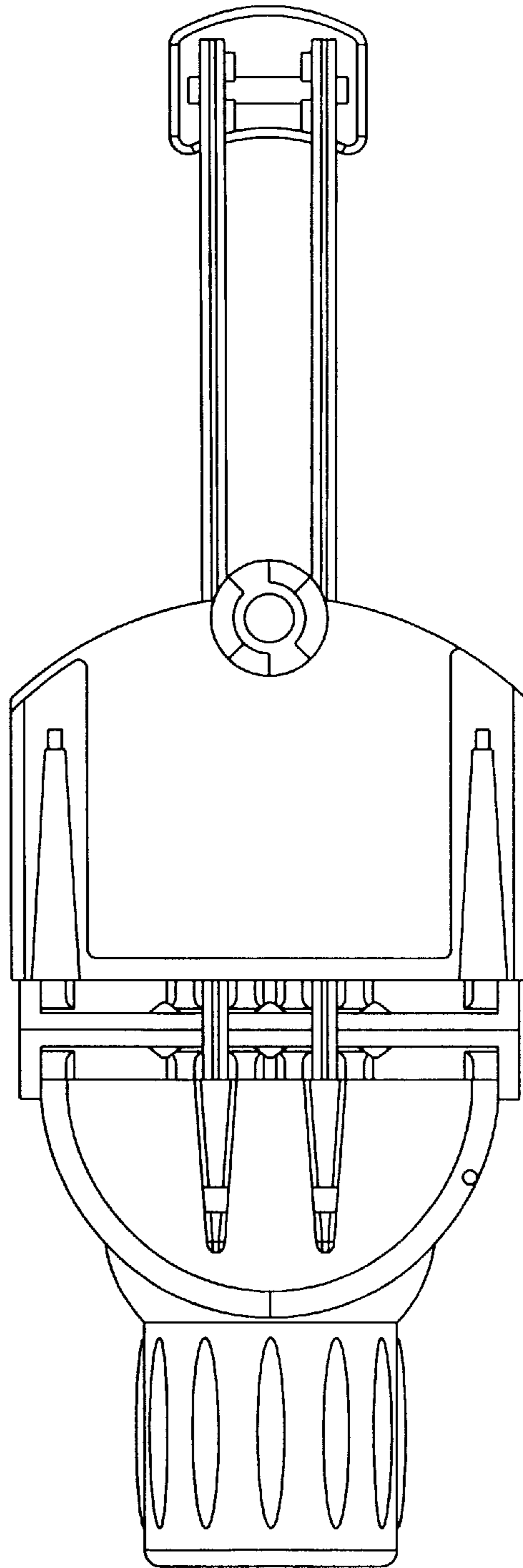


FIG. 3

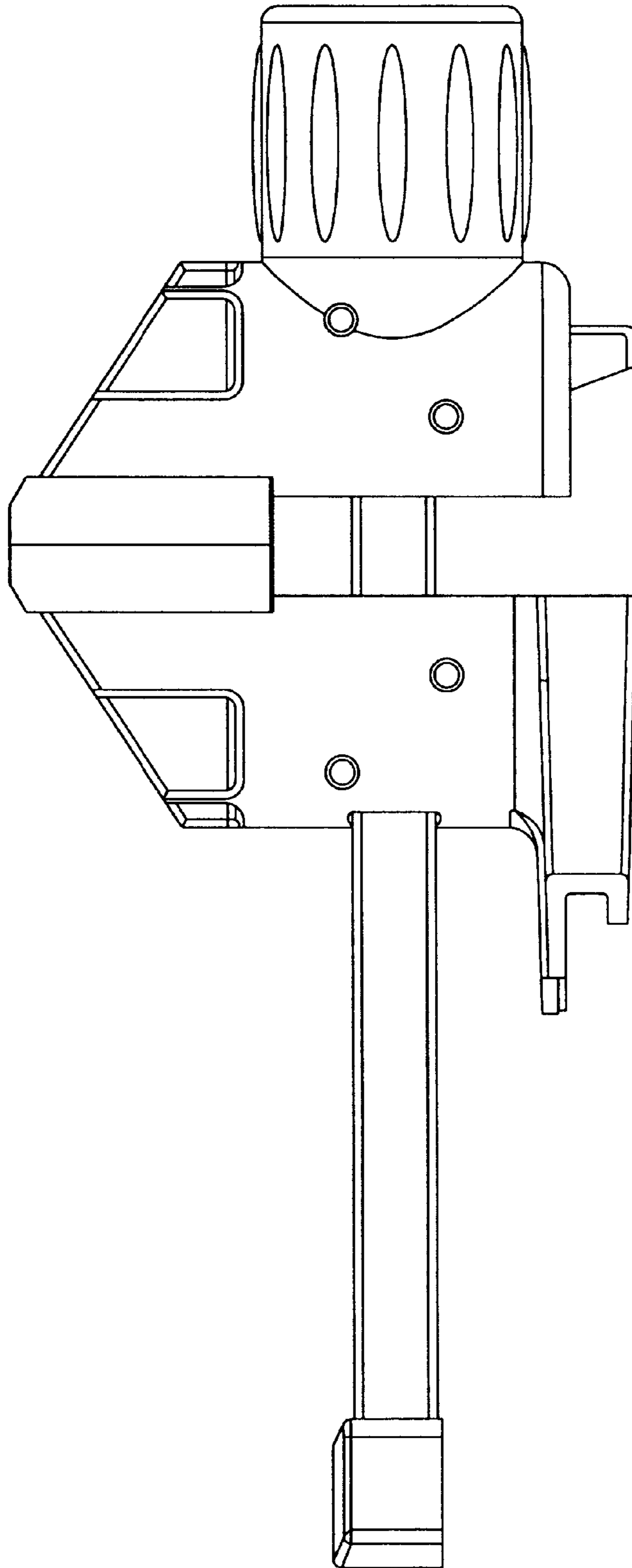


FIG. 4

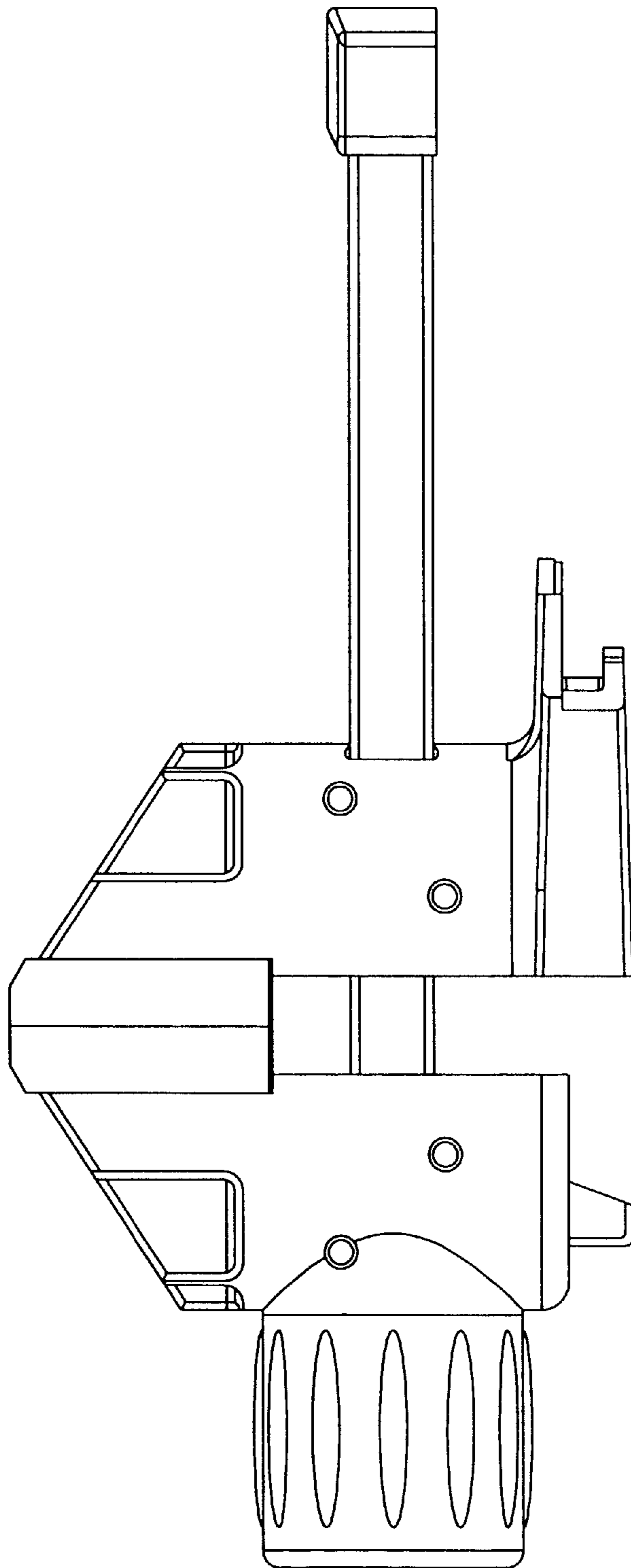


FIG. 5

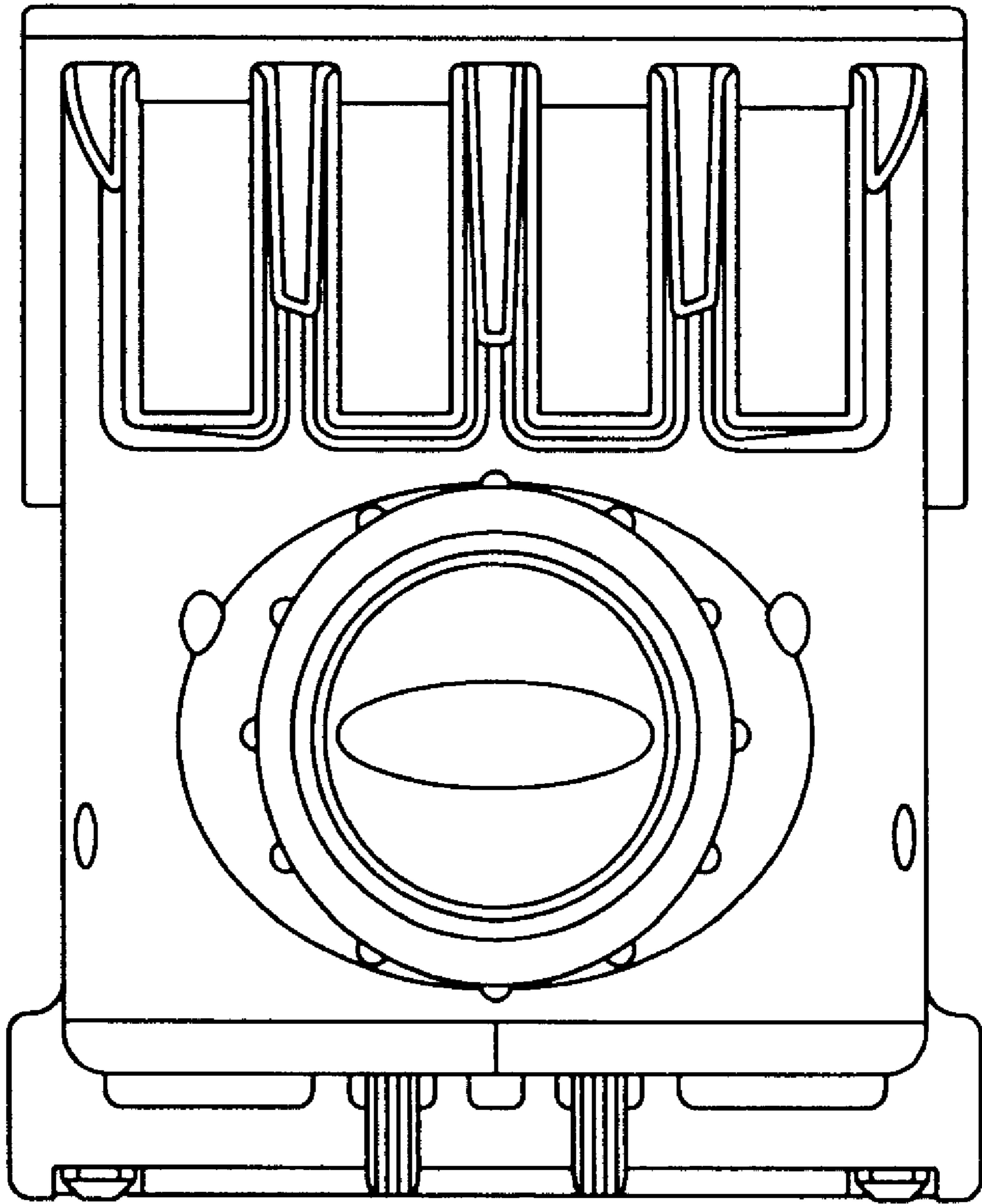


FIG. 6

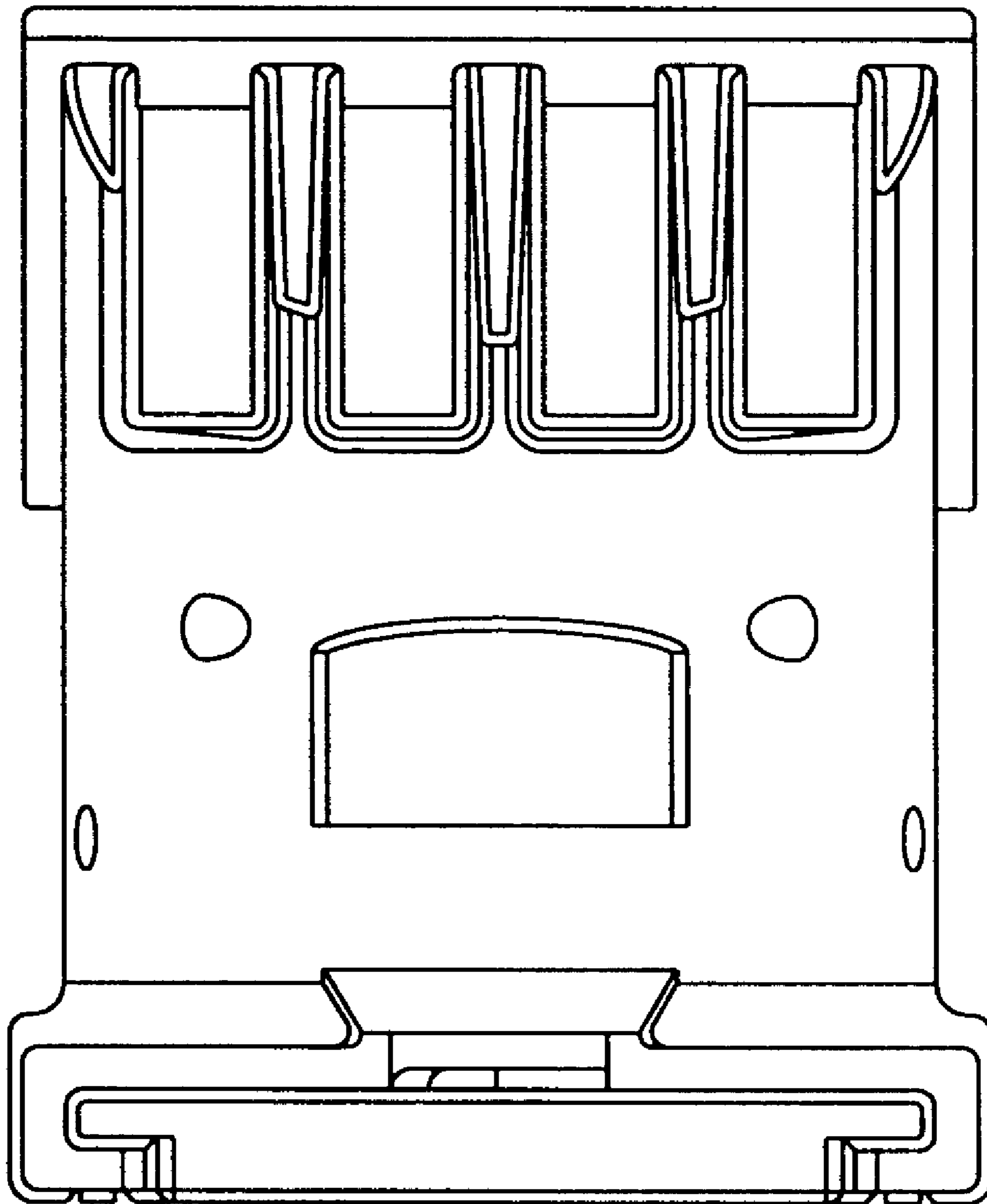


FIG. 7

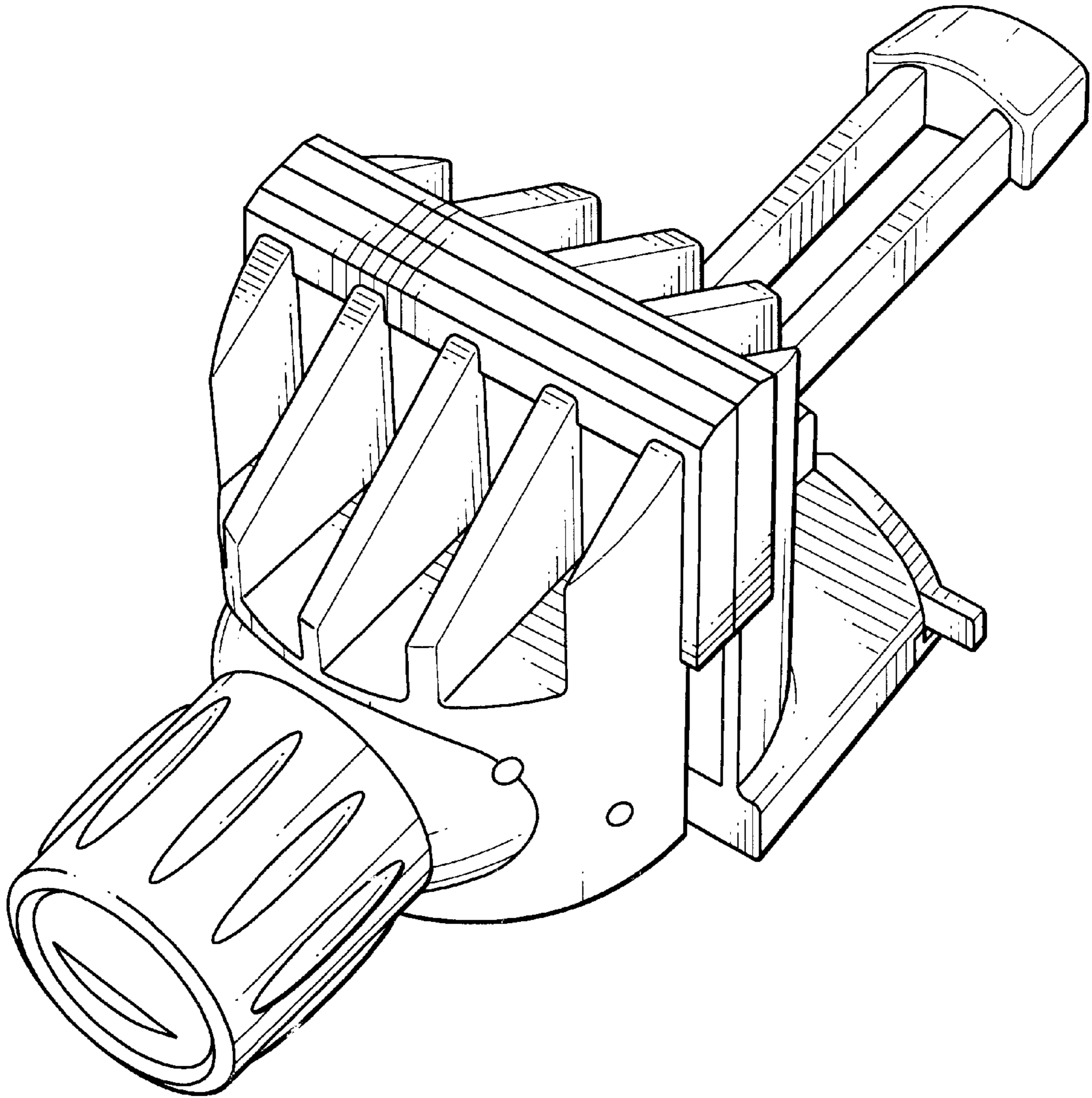


FIG. 8

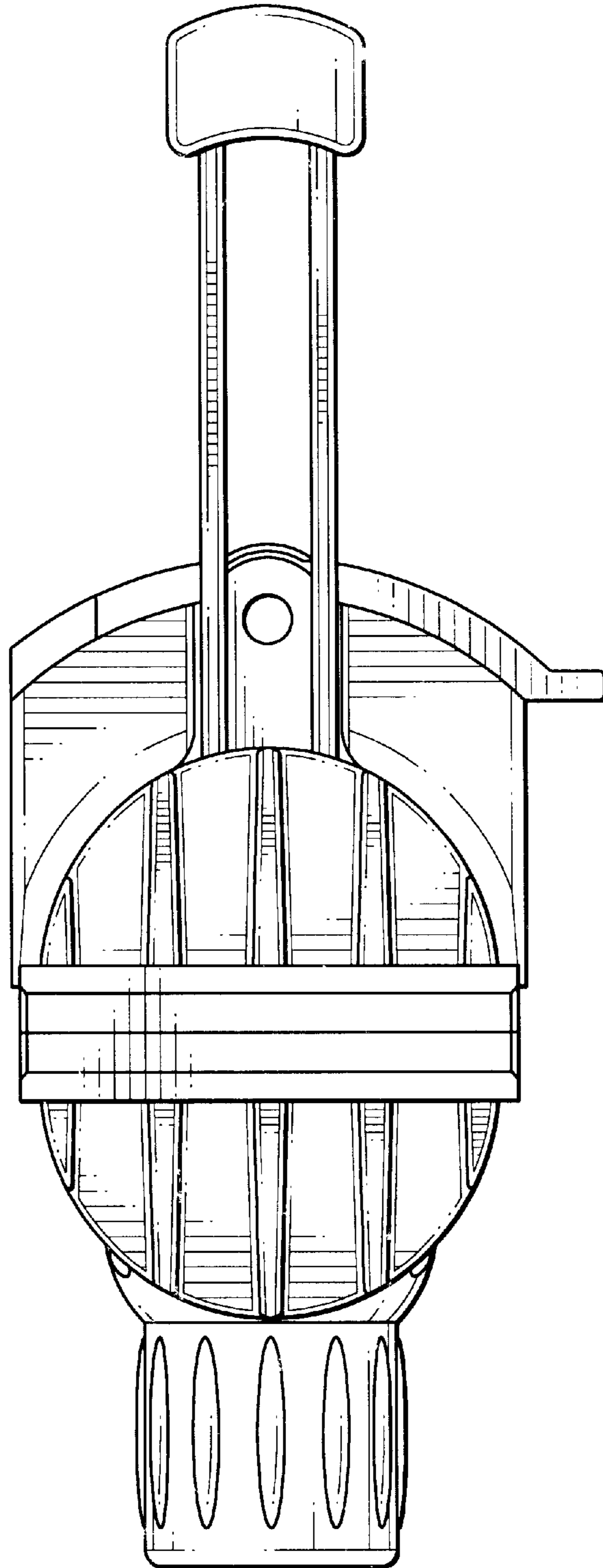


FIG. 9

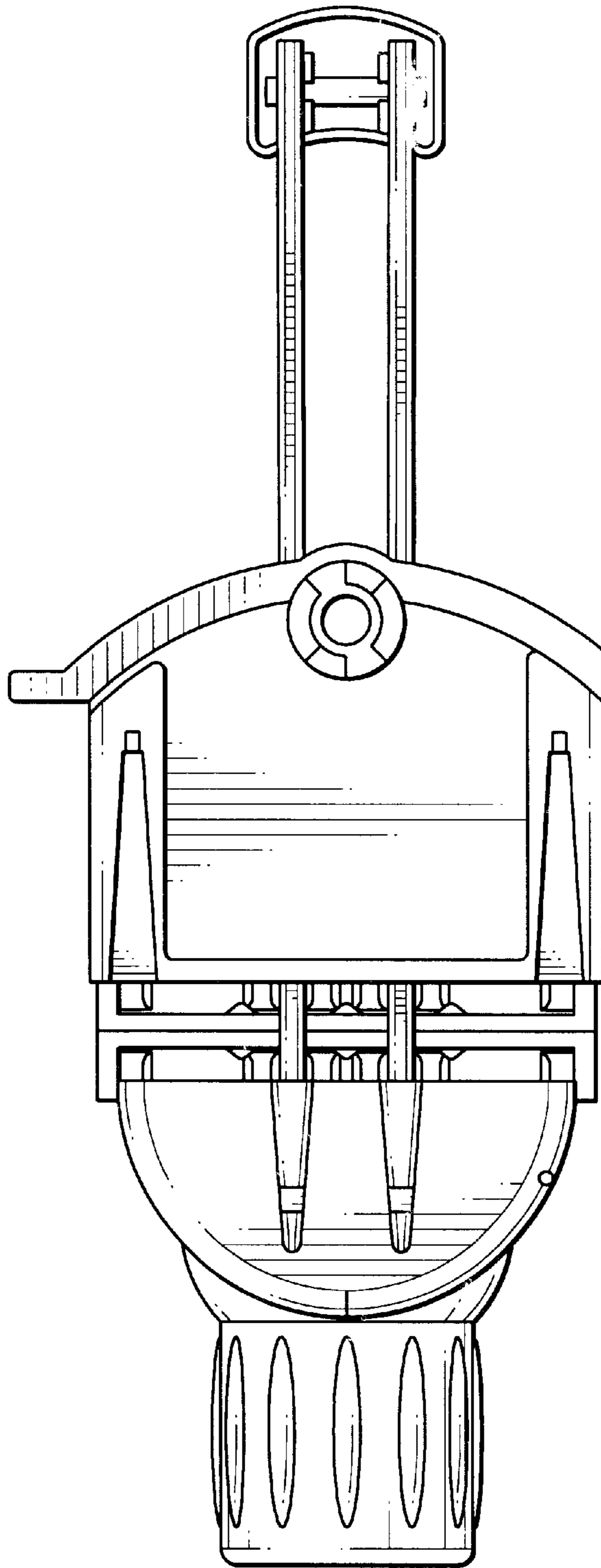


FIG. 10

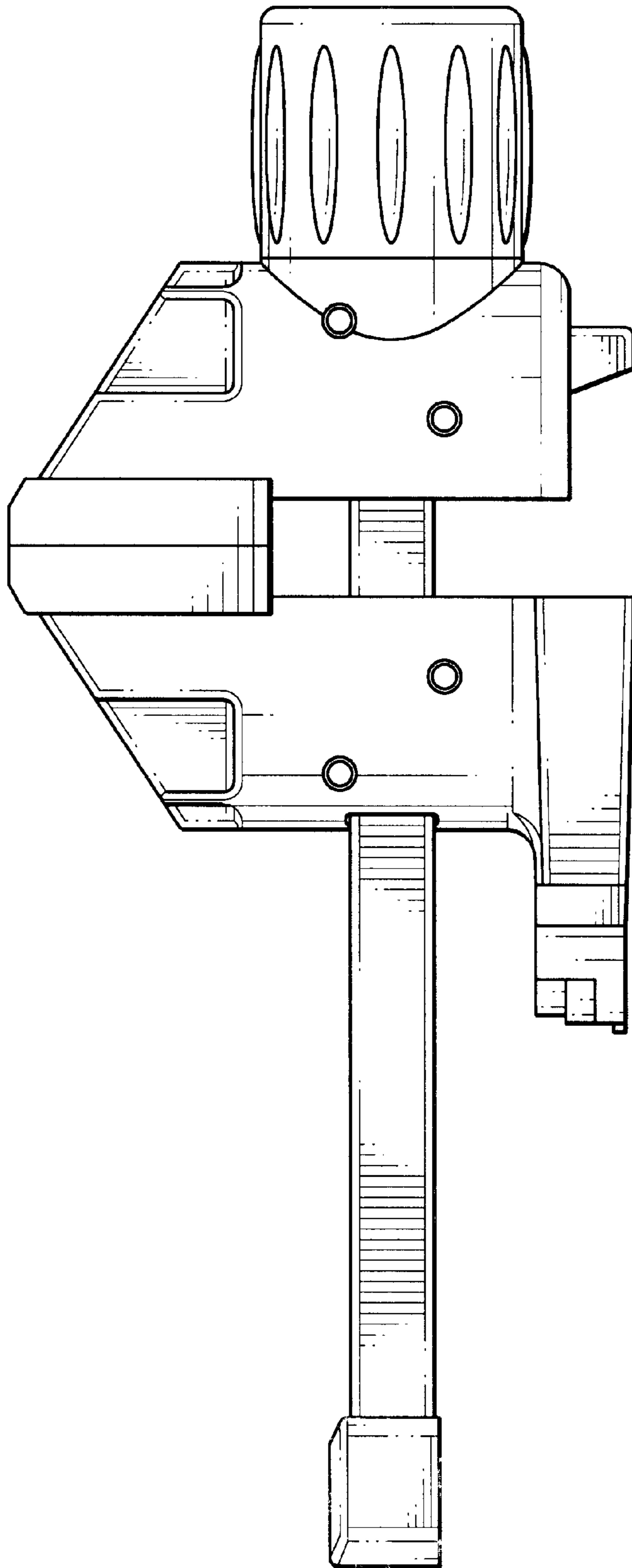


FIG. 11

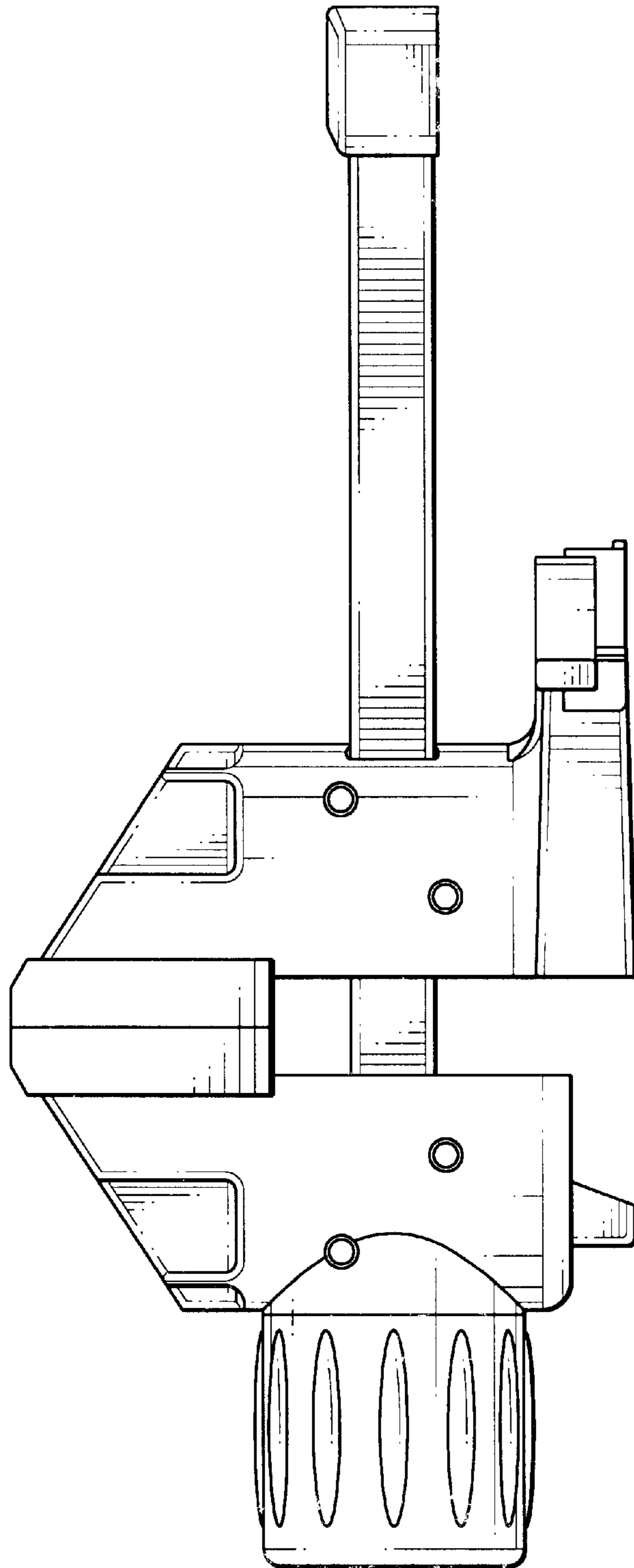


FIG. 12

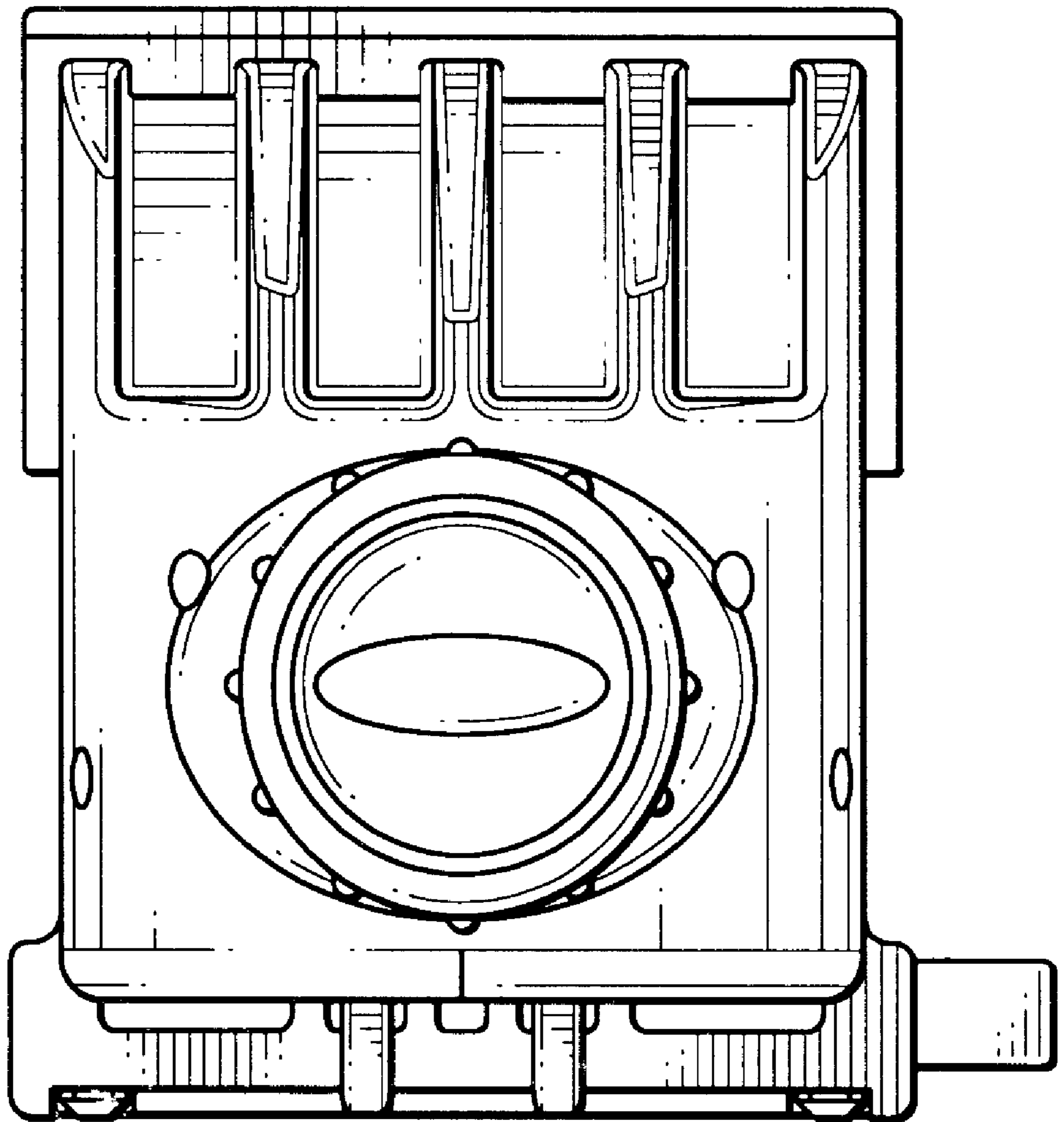


FIG. 13

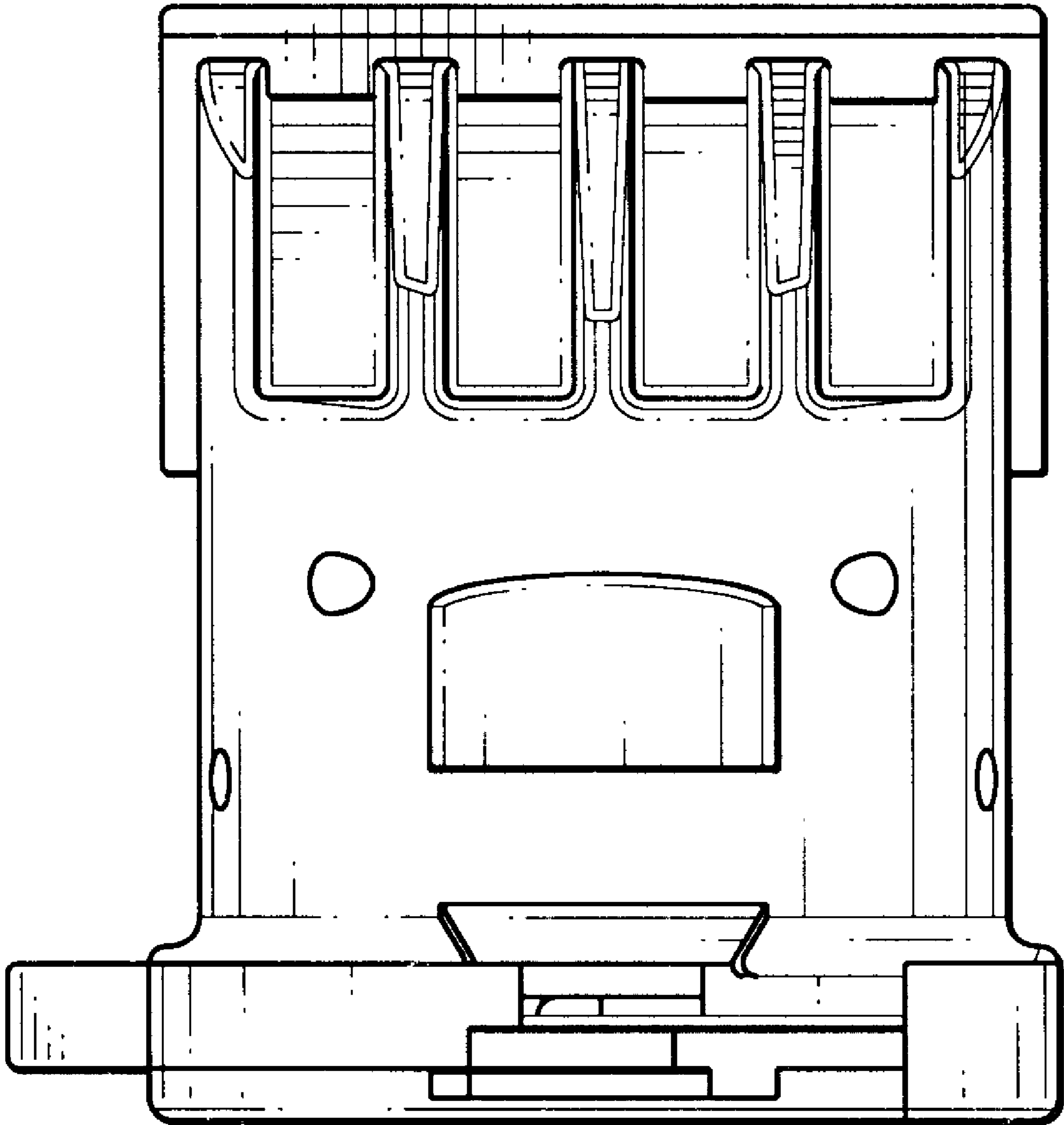


FIG. 14