



US00D473440S

(12) **United States Design Patent**
Lind et al.

(10) **Patent No.: US D473,440 S**

(45) **Date of Patent: ** Apr. 22, 2003**

(54) **CHUCK**

D417,228 S * 11/1999 Miles D8/70
D426,760 S * 6/2000 Schultz D8/68

(75) Inventors: **Jason Lind**, Simsbury, CT (US); **Bob Pjevach**, Lindenhurst, IL (US); **Marcus Burzynski**, Glendale Heights, IL (US); **Brady Groth**, Evanston, IL (US)

OTHER PUBLICATIONS

Impact wrench chuck, p. 7, Rigid, Supreme Chucks and Power Tool Equipment catalogue, Ridge Tool Co.*

(73) Assignee: **S-B Power Tool Company**, Chicago, IL (US)

* cited by examiner

(**) Term: **14 Years**

Primary Examiner—Doris V. Coles
Assistant Examiner—T. Chase Nelson

(21) Appl. No.: **29/155,673**

(57) **CLAIM**

(22) Filed: **Feb. 13, 2002**

The ornamental design for a chuck, as shown and described.

(51) **LOC (7) Cl. 08-05**

DESCRIPTION

(52) **U.S. Cl. D8/70**

(58) **Field of Search** D8/70, 68, 69;
D15/140; 279/60, 61, 62, 63, 64, 65, 66,
157, 901, 902; 408/56, 240

FIG. 1 is a perspective view of a chuck showing my new design;

FIG. 2 is a left side plan elevation view with the chuck shown rotated from the position shown in FIG. 1 thereof;

FIG. 3 is a right side plan elevation view thereof;

FIG. 4 is a front plan elevation thereof;

FIG. 5 is a top view thereof; and,

FIG. 6 is a bottom view thereof.

The tool outlined by the dashed lines in FIGS. 1-6 is included to illustrate an associated use and forms no part of the claimed invention.

(56) **References Cited**

U.S. PATENT DOCUMENTS

1,979,652 A * 11/1934 Taylor 279/61
2,784,976 A * 3/1957 Ondeck 279/902
D340,845 S * 11/1993 Holmgren D8/70
D404,629 S * 1/1999 Cooper D8/70
D405,812 S * 2/1999 Miles D8/70

1 Claim, 5 Drawing Sheets



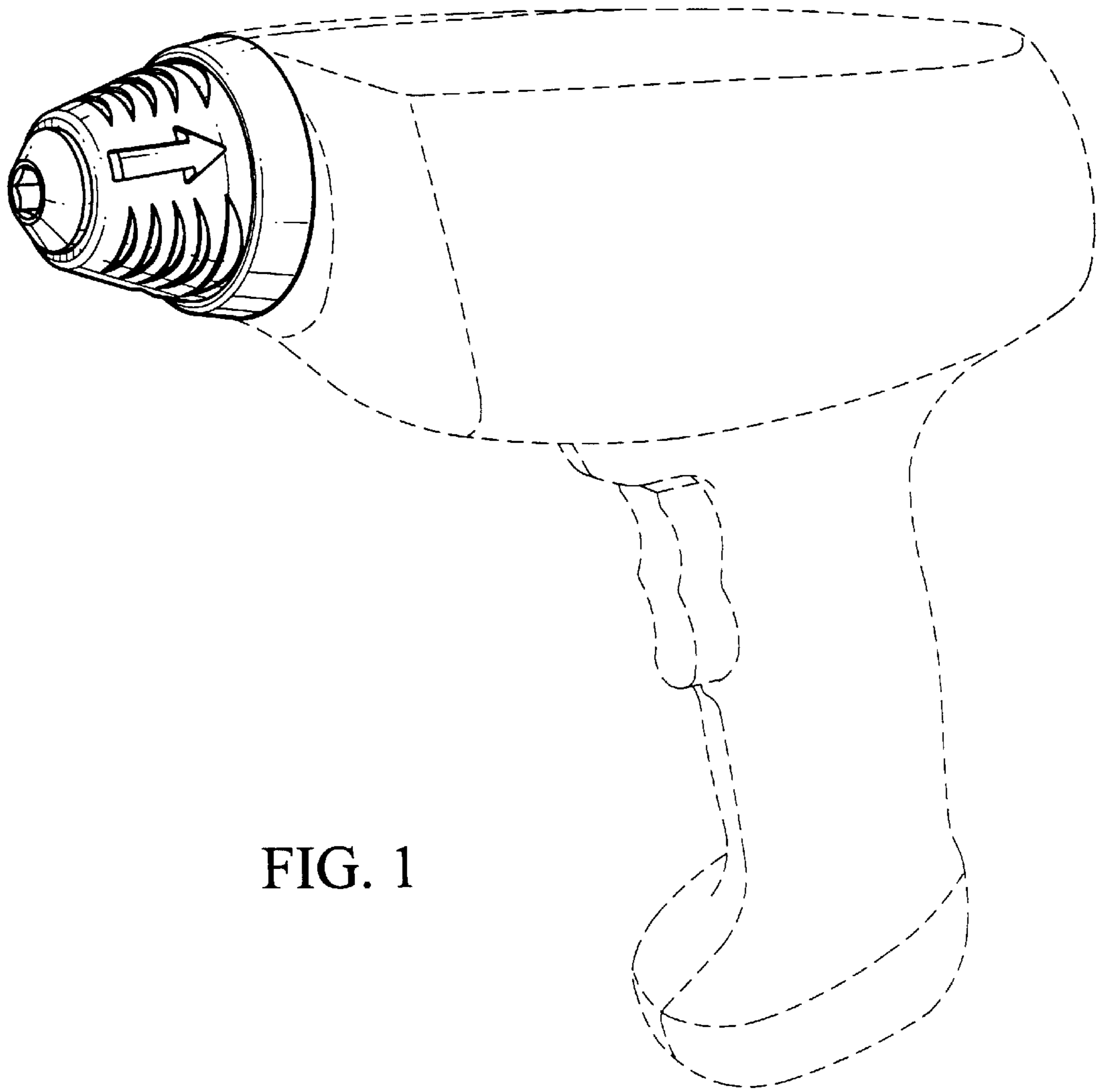


FIG. 1

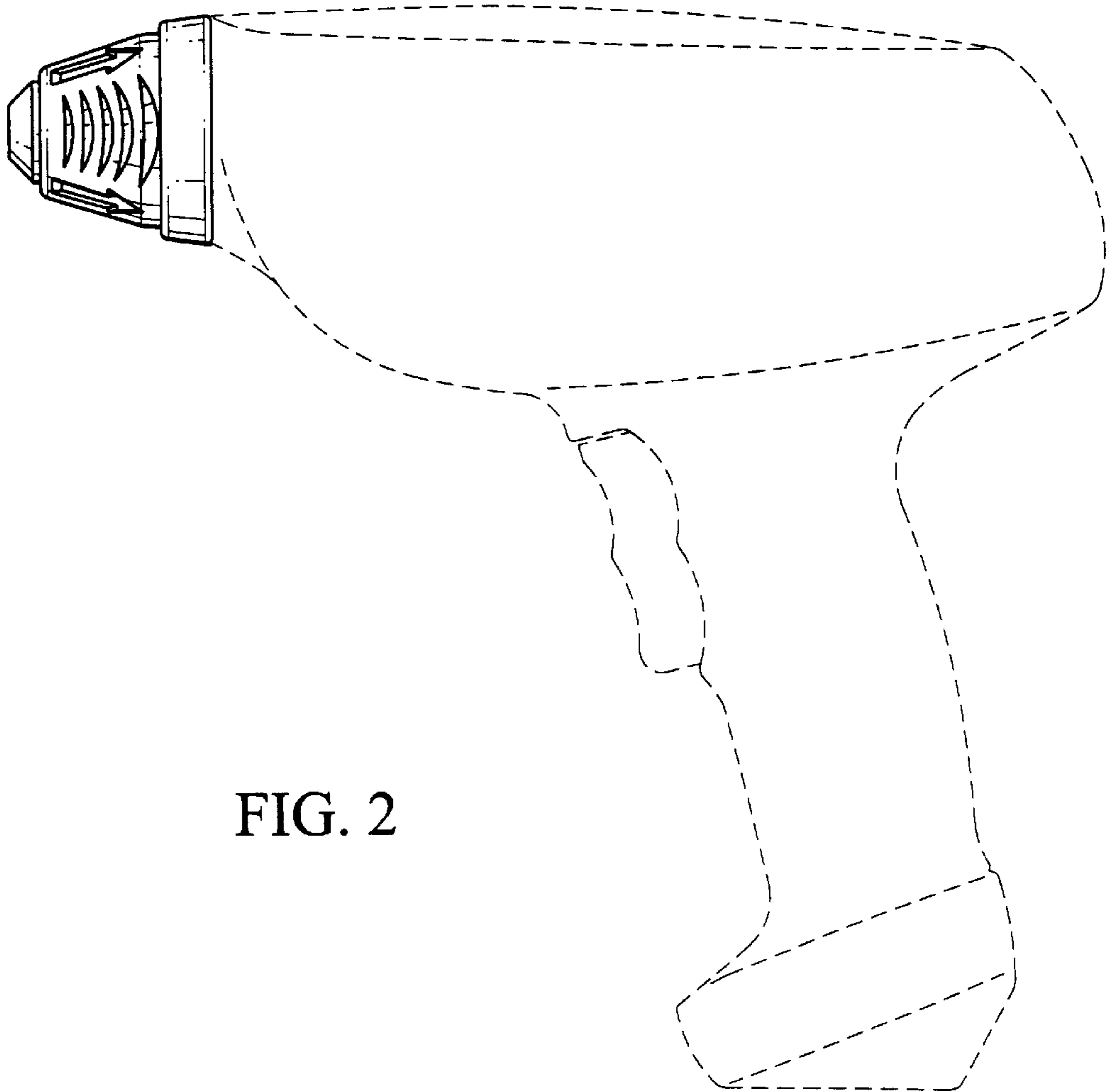


FIG. 2

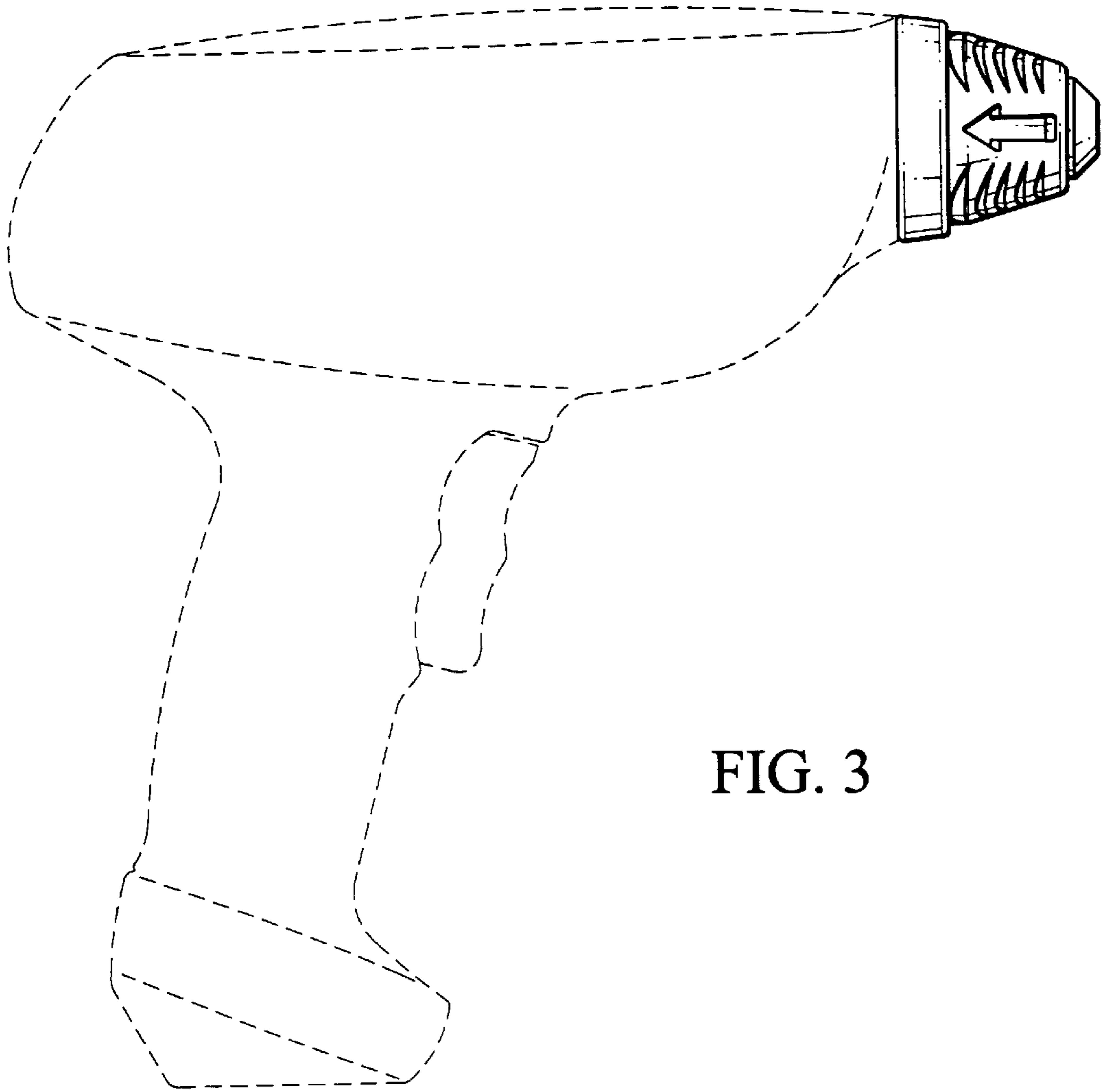


FIG. 3

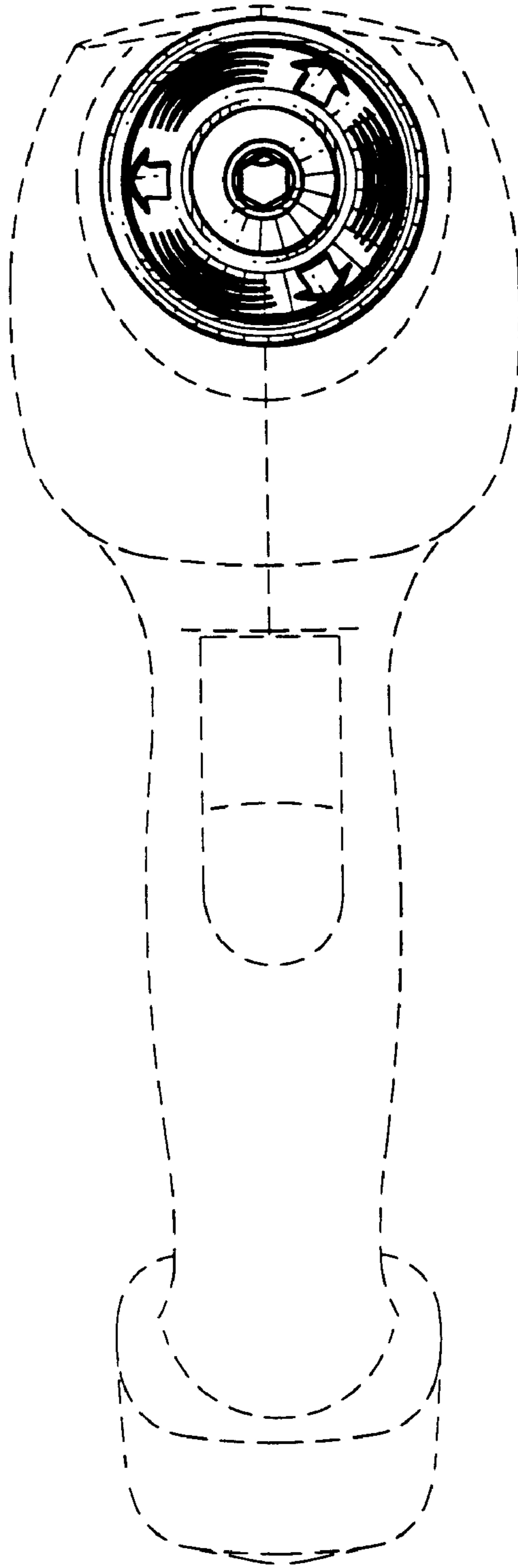


FIG. 4

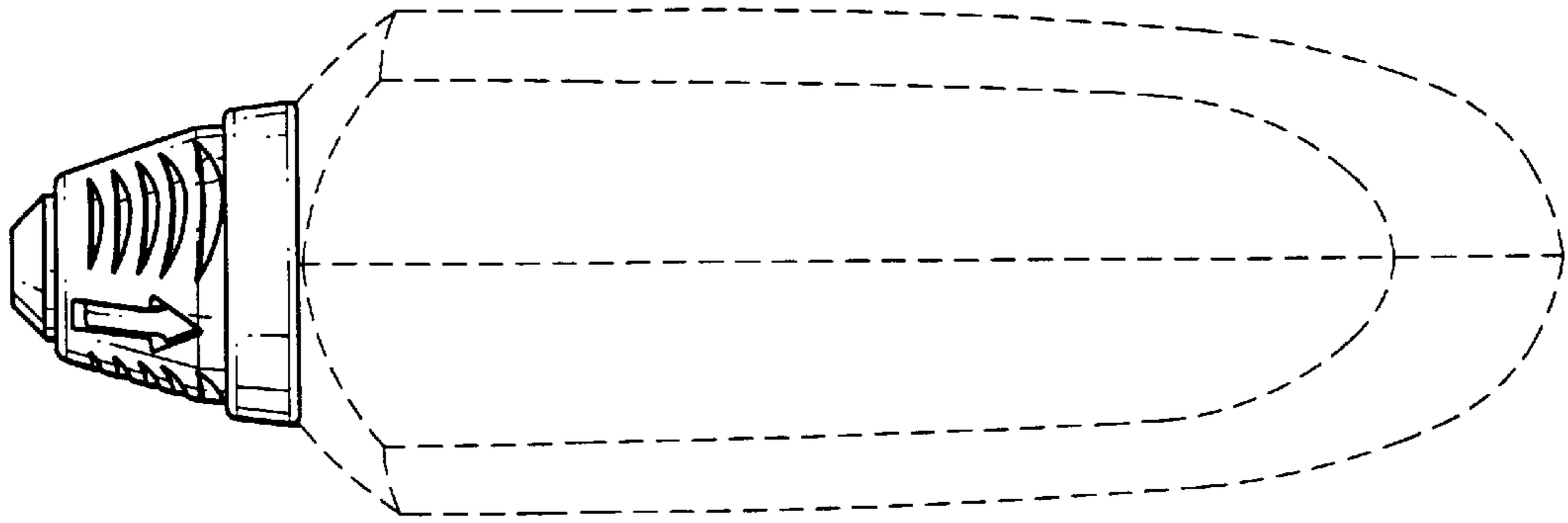


FIG. 5

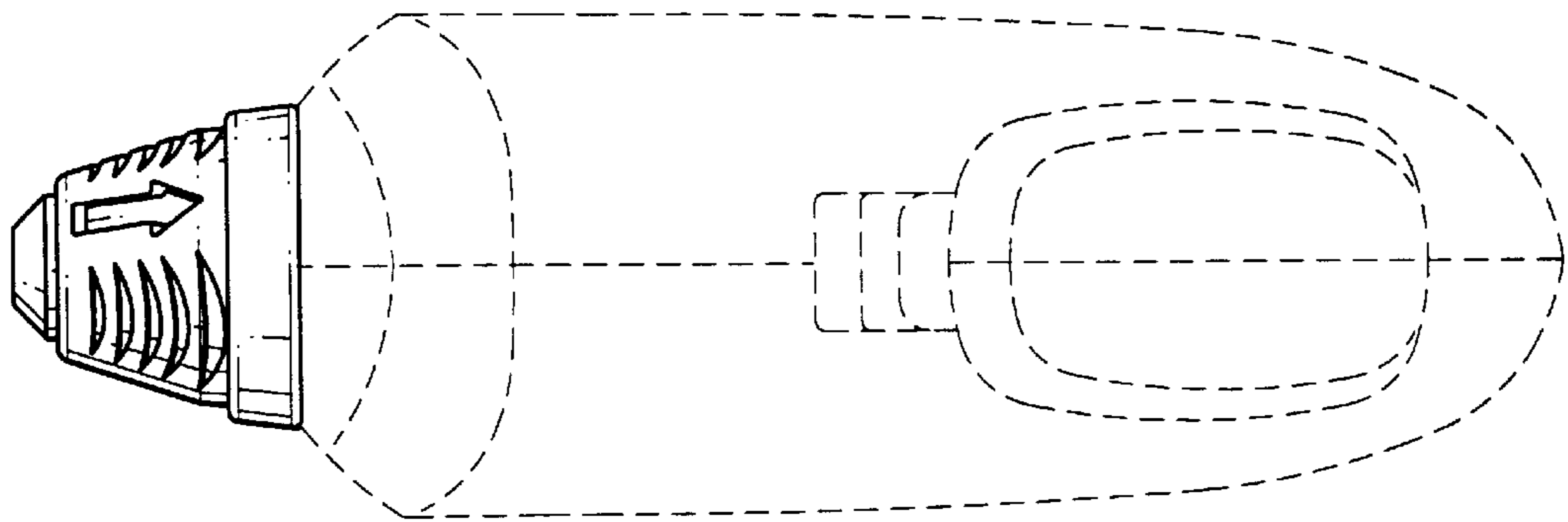


FIG. 6