



US00D473439S

(12) **United States Design Patent**
Grant et al.

(10) **Patent No.:** **US D473,439 S**

(45) **Date of Patent:** **** Apr. 22, 2003**

(54) **ROUTER BASE**

(75) Inventors: **Jeffrey P. Grant**, Forest Hill, MD (US); **John K. Horky**, Lutherville, MD (US); **Daniel N. Lopano**, Baltimore, MD (US); **Robert P. Welsh**, Hunt Valley, MD (US)

(73) Assignee: **Black & Decker Inc.**, Newark, DE (US)

(**) Term: **14 Years**

(21) Appl. No.: **29/152,695**

(22) Filed: **Dec. 21, 2001**

Related U.S. Application Data

(63) Continuation of application No. 29/140,100, filed on Apr. 12, 2001.

(51) **LOC (7) Cl.** **08-05**

(52) **U.S. Cl.** **D8/61**

(58) **Field of Search** D8/61, 62, 63, D8/64, 67, 68, 69, 98, DIG. 2; D15/122, 127, 142; 144/134.1, 135.2, 136.1, 154.5; 408/199; 409/180, 181, 182

(56) **References Cited**

U.S. PATENT DOCUMENTS

D283,590 S * 4/1986 Ibaraki D8/62

5,188,492 A * 2/1993 McCracken 409/182
5,570,776 A * 11/1996 Buchholz et al. 200/43.17
5,853,273 A * 12/1998 Coffey 409/182
5,909,987 A * 6/1999 Coffey et al. 409/131
D444,364 S * 7/2001 Evans D8/67
6,261,036 B1 * 7/2001 Bosten et al. 409/182

* cited by examiner

Primary Examiner—Doris V. Coles

Assistant Examiner—Elizabeth A. Albert

(74) *Attorney, Agent, or Firm*—Michael P. Leary; John D. DelPonti; Bruce S. Shapiro

(57) **CLAIM**

The ornamental design for a router base, as shown and described.

DESCRIPTION

FIG. 1 is a front perspective view of a router base showing our new design.

FIG. 2 is a left side elevational view of FIG. 1;

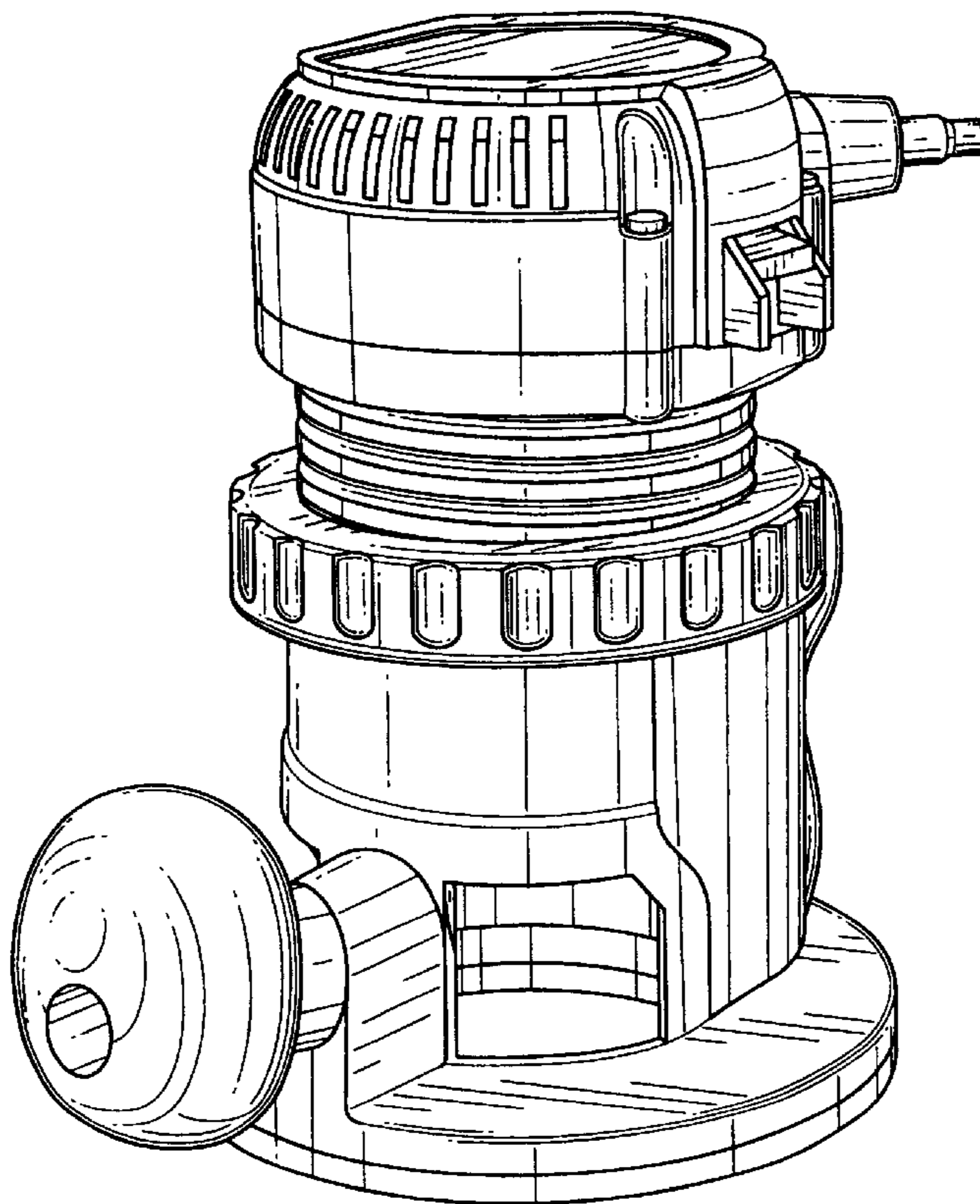
FIG. 3 is a right side elevational view of FIG. 1;

FIG. 4 is a rear elevational view of FIG. 1;

FIG. 5 is a front elevational view of FIG. 1; and,

FIG. 6 is a top plan view of FIG. 1.

1 Claim, 6 Drawing Sheets



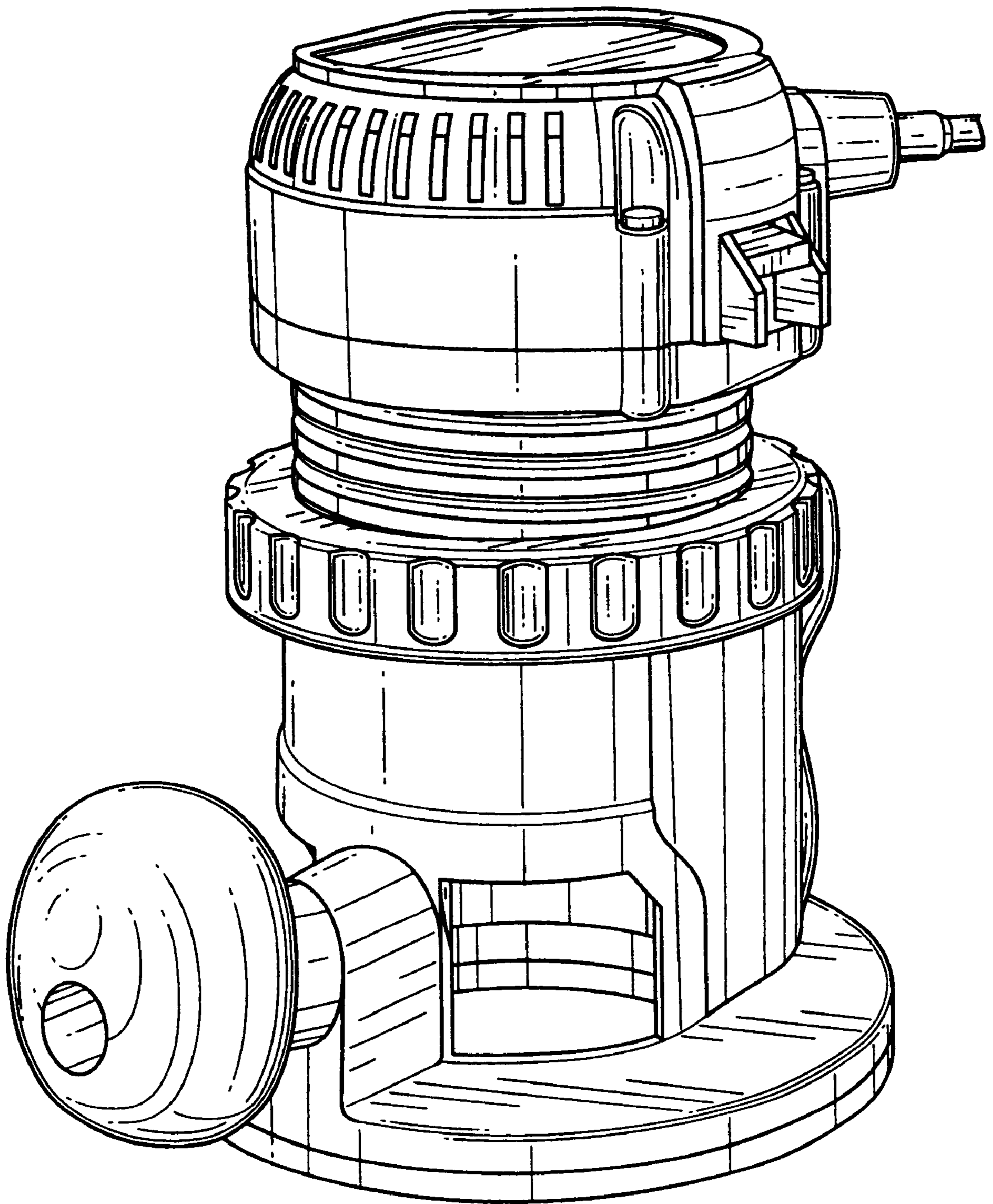


FIG. 1

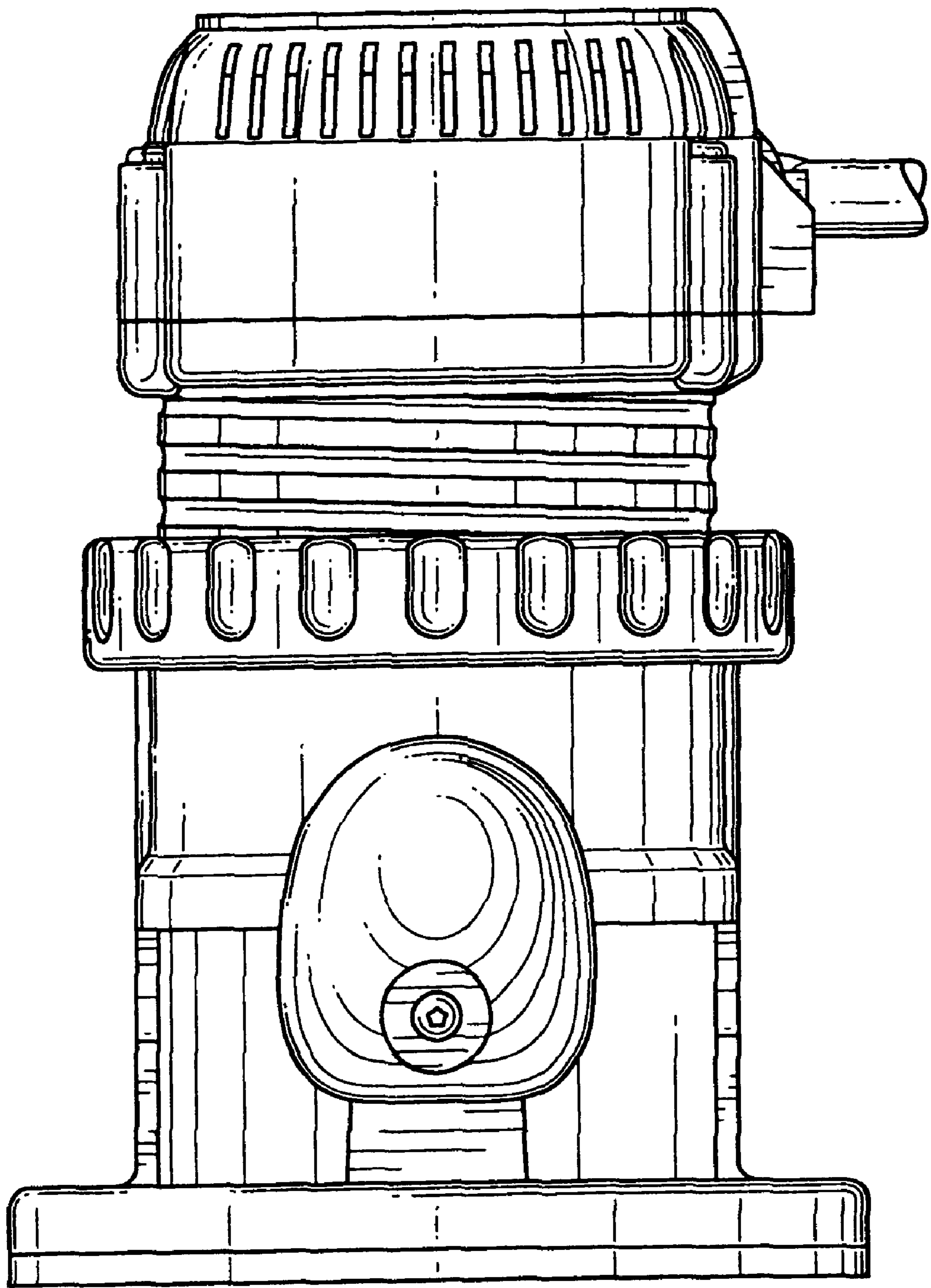


FIG. 2

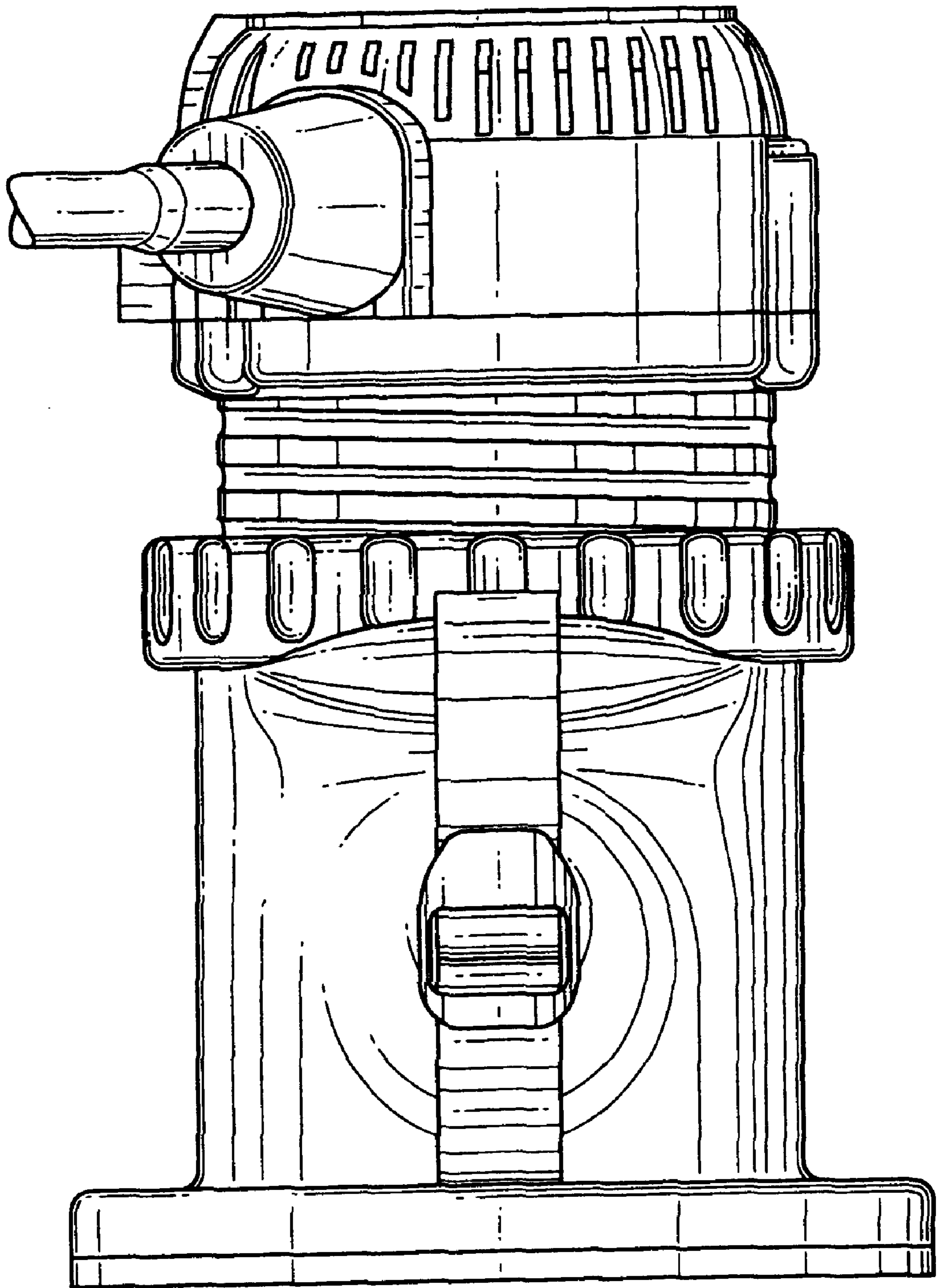


FIG. 3

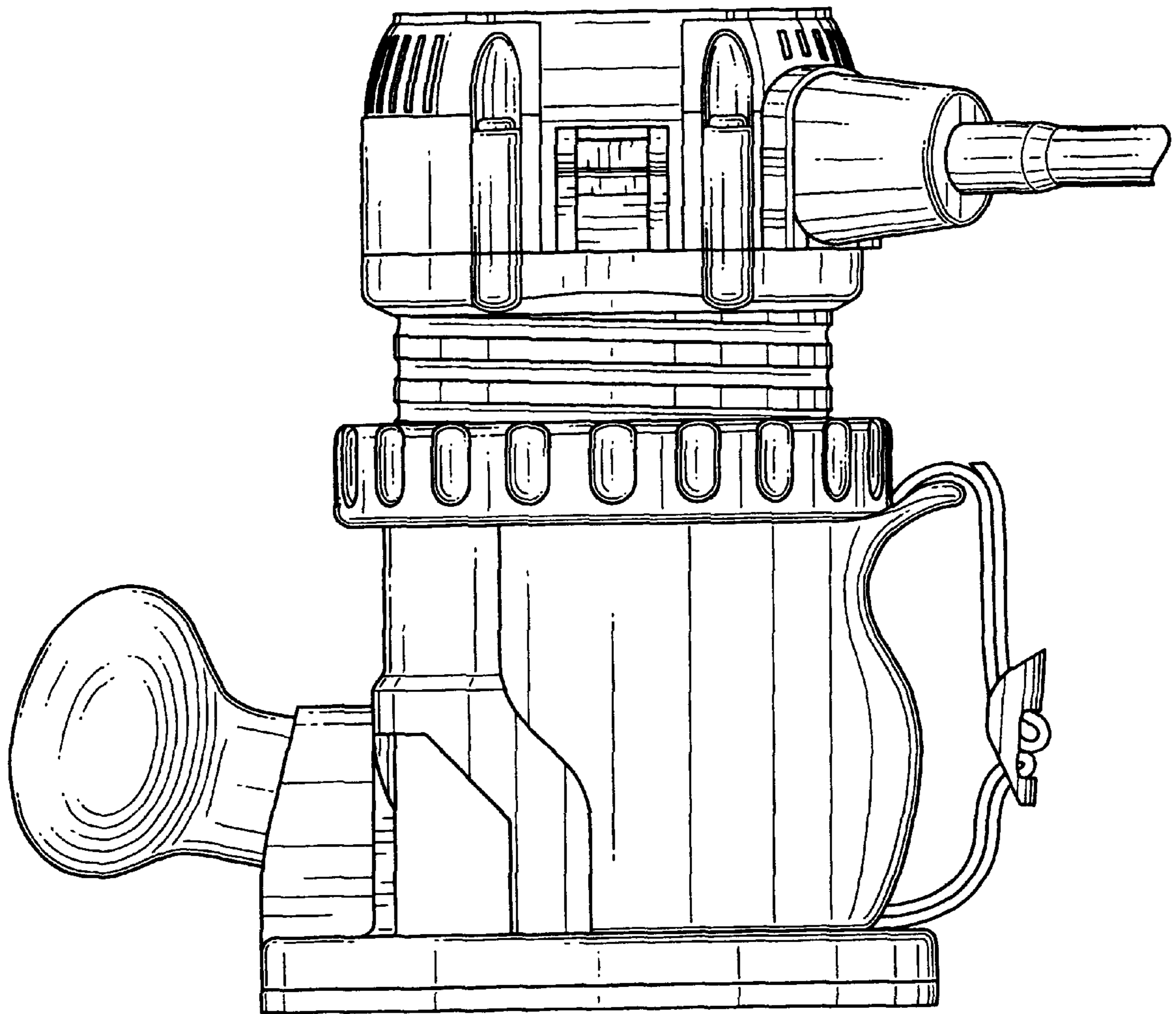


FIG. 4

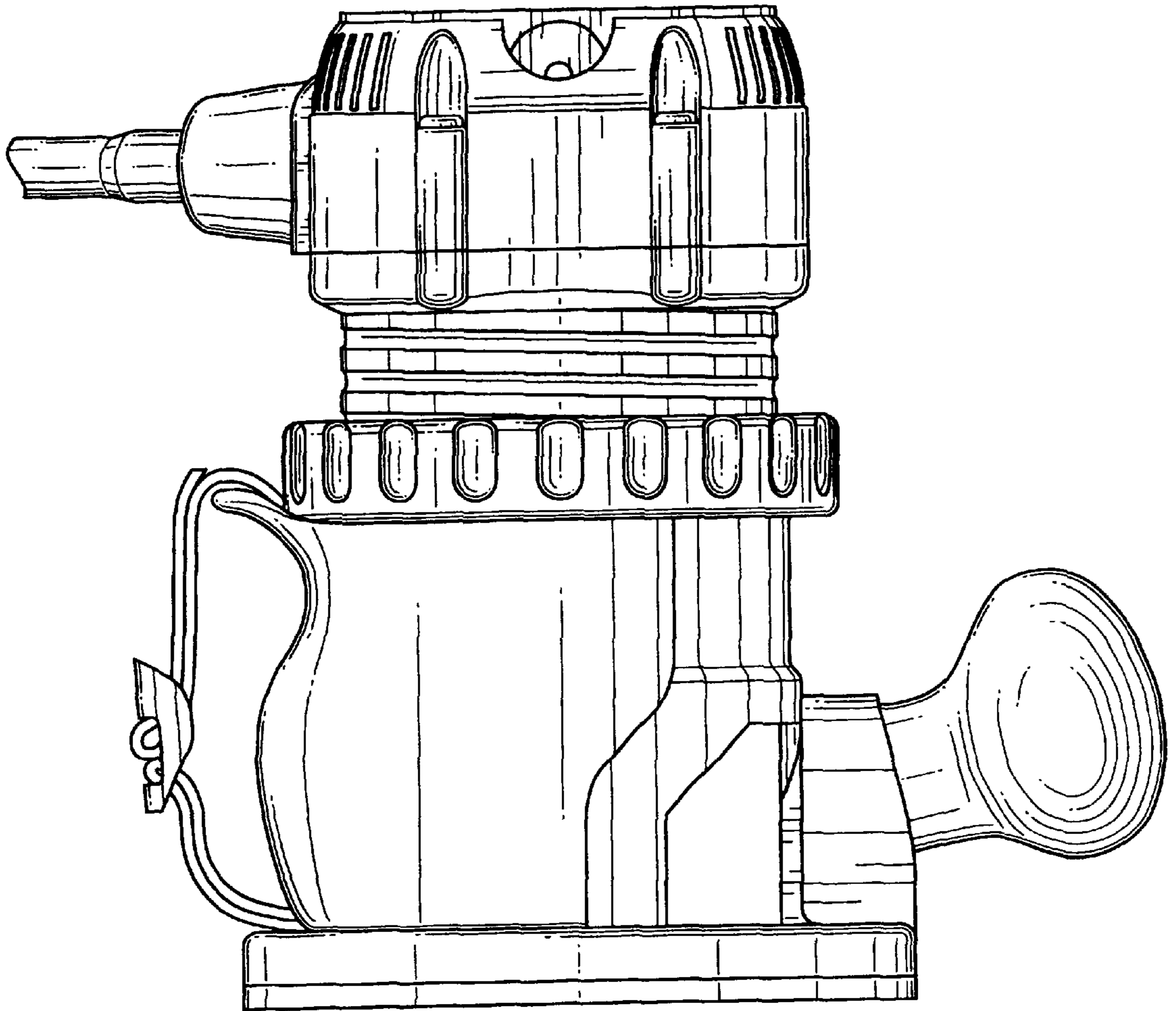


FIG. 5

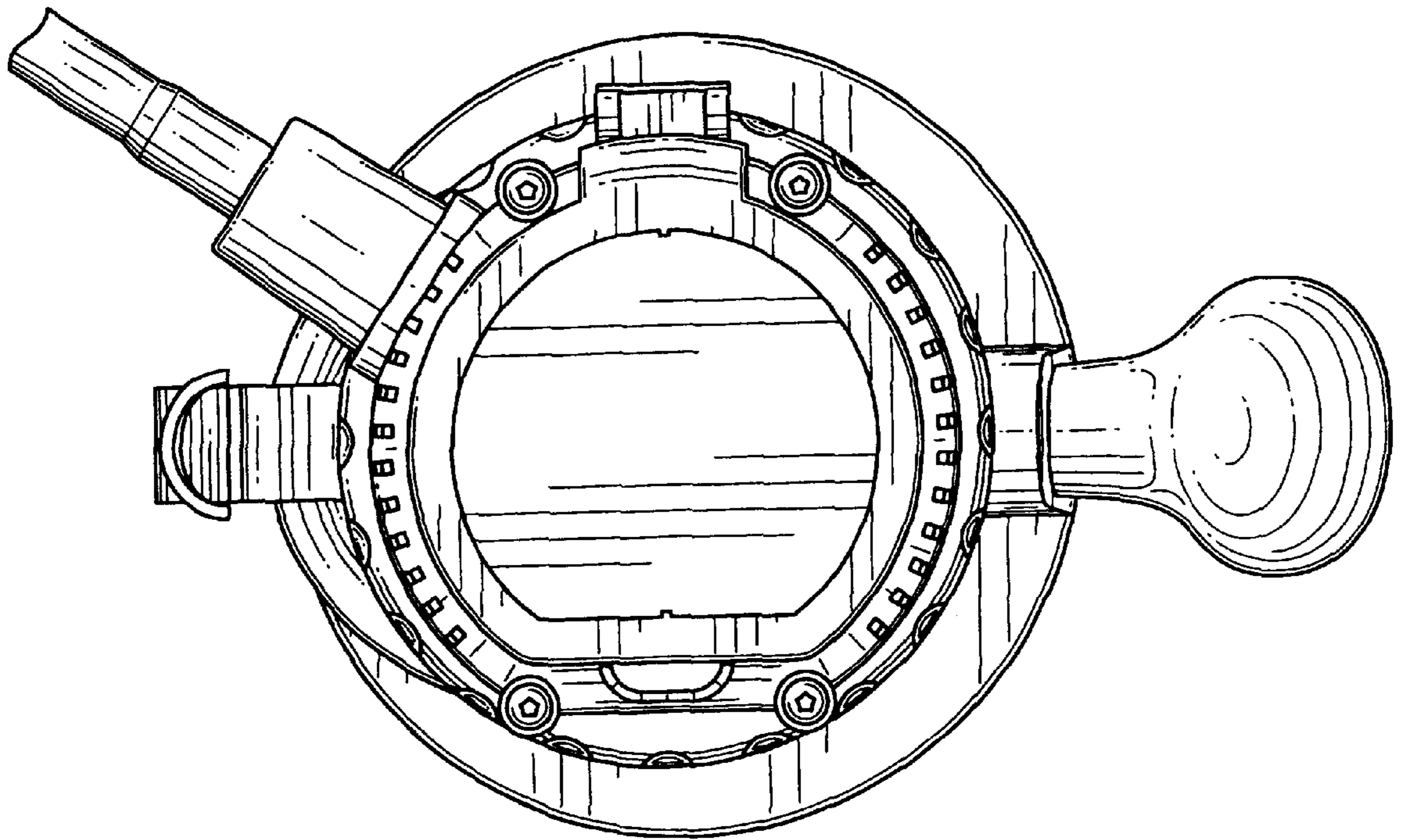


FIG. 6