



US00D473435S

(12) **United States Design Patent**
Stahl

(10) **Patent No.:** **US D473,435 S**

(45) **Date of Patent:** **** Apr. 22, 2003**

(54) **PROPELLER NUT WRENCH**

(76) **Inventor:** **Bradford C. Stahl**, 3681 Sacramento Rd., Suite D, San Luis Obispo, CA (US) 93401

(**) **Term:** **14 Years**

(21) **Appl. No.:** **29/165,358**

(22) **Filed:** **Aug. 8, 2002**

(51) **LOC (7) Cl.** **08-05**

(52) **U.S. Cl.** **D8/21; D8/21; D8/26**

(58) **Field of Search** **D8/17, 21-29, D8/31; 81/119, 121.1, 124.3, 124.4, 125.1, 177.1, 57.39**

(56) **References Cited**

U.S. PATENT DOCUMENTS

- D34,540 S * 5/1901 Engstrom
- D53,641 S * 7/1919 Rosel
- D53,969 S * 10/1919 Light et al. D8/28

- D287,927 S * 1/1987 Zankich D8/17
- 5,142,951 A * 9/1992 Walton 81/57.39
- 5,263,389 A * 11/1993 Frazzell et al. 81/124.3

* cited by examiner

Primary Examiner—Raphael Barkai

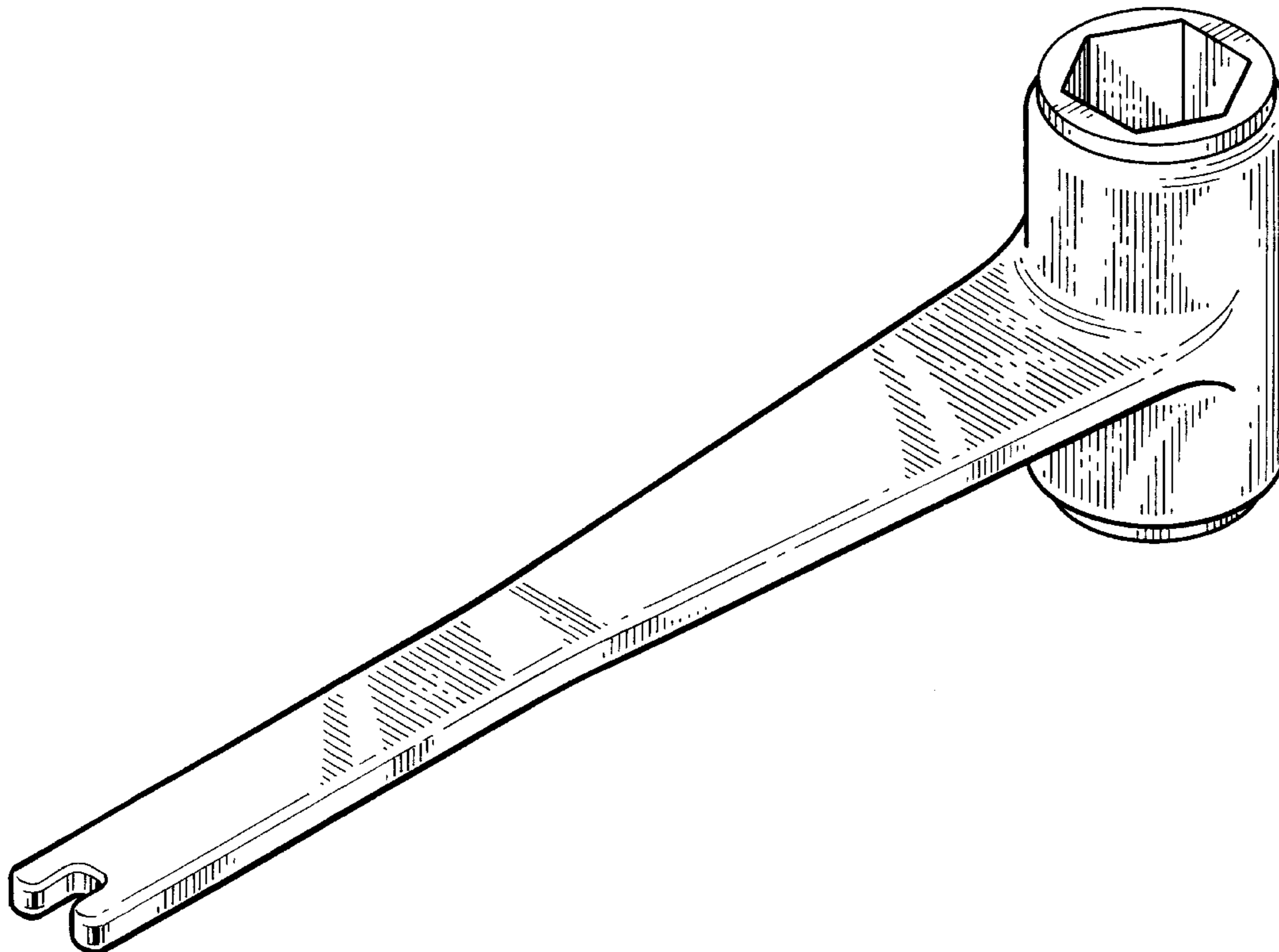
(57) **CLAIM**

The ornamental design for propeller nut wrench, as shown and described.

DESCRIPTION

FIG. 1 is a perspective view of the propeller nut wrench showing my new design.
 FIG. 2 is a front elevational view thereof, with the rear elevational view being the same.
 FIG. 3 is a top view thereof.
 FIG. 4 is a bottom view thereof.
 FIG. 5 is a right side view thereof; and,
 FIG. 6 is a left side view thereof.

1 Claim, 3 Drawing Sheets



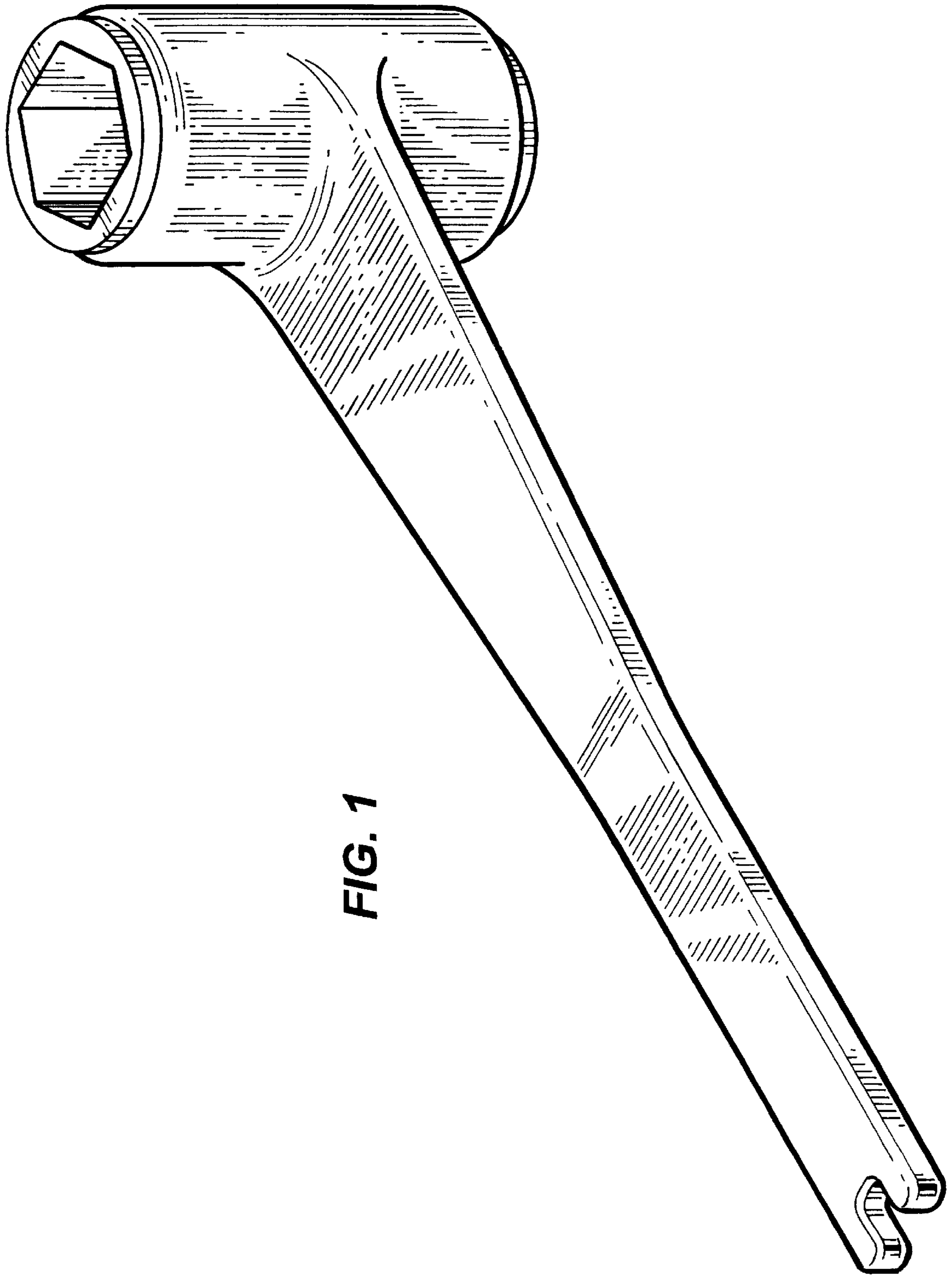


FIG. 1

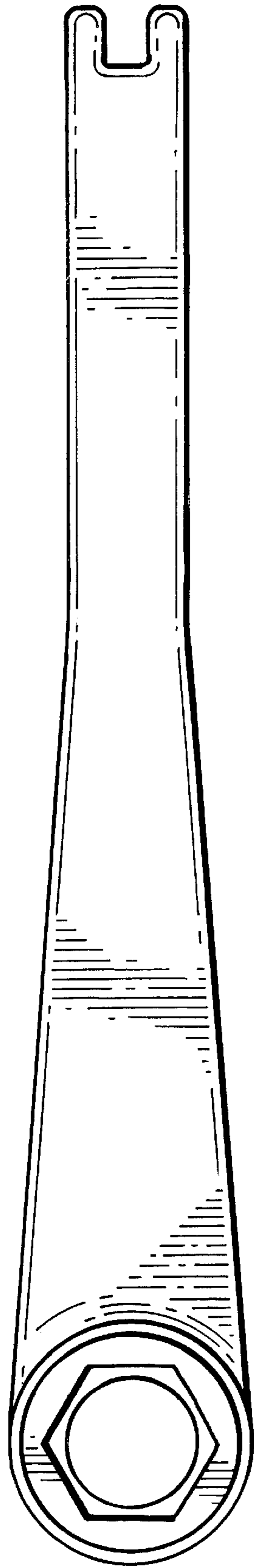


FIG. 3

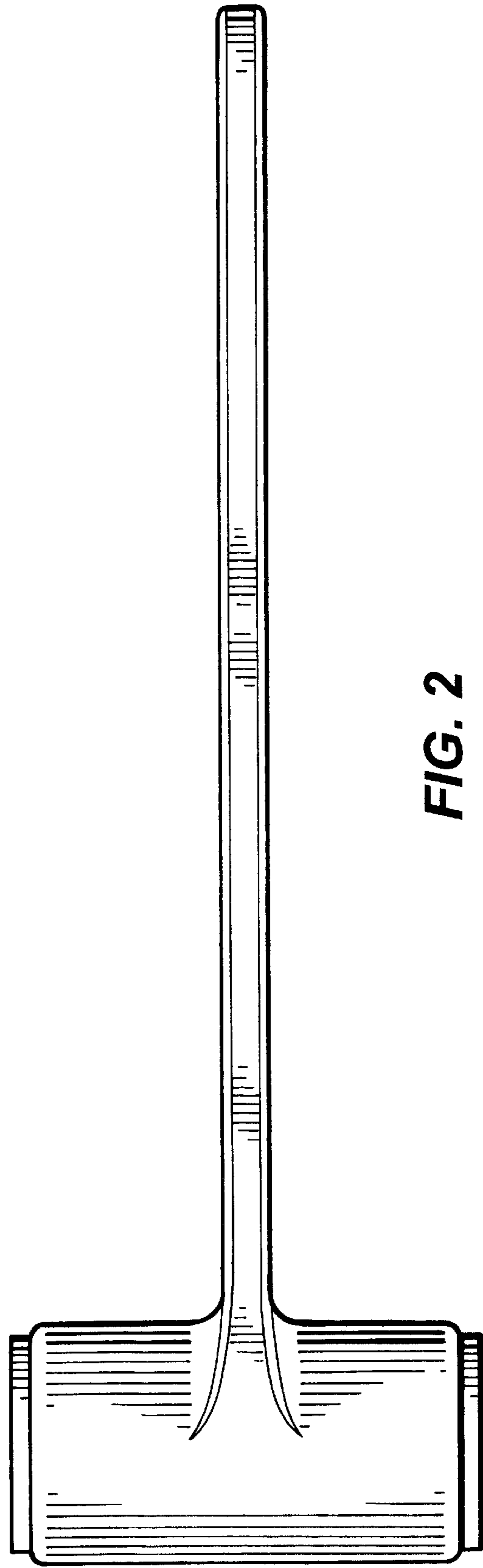


FIG. 2

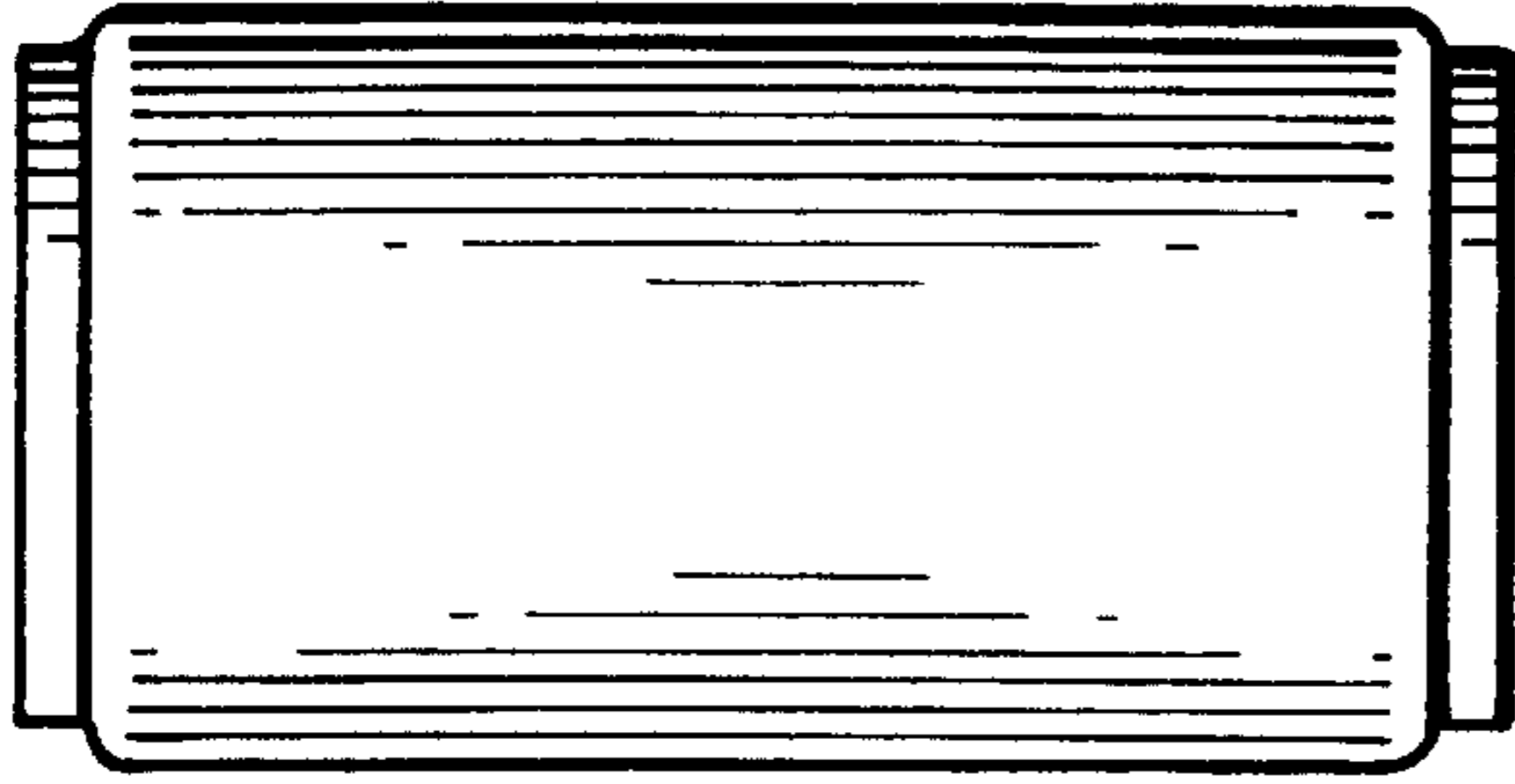


FIG. 6

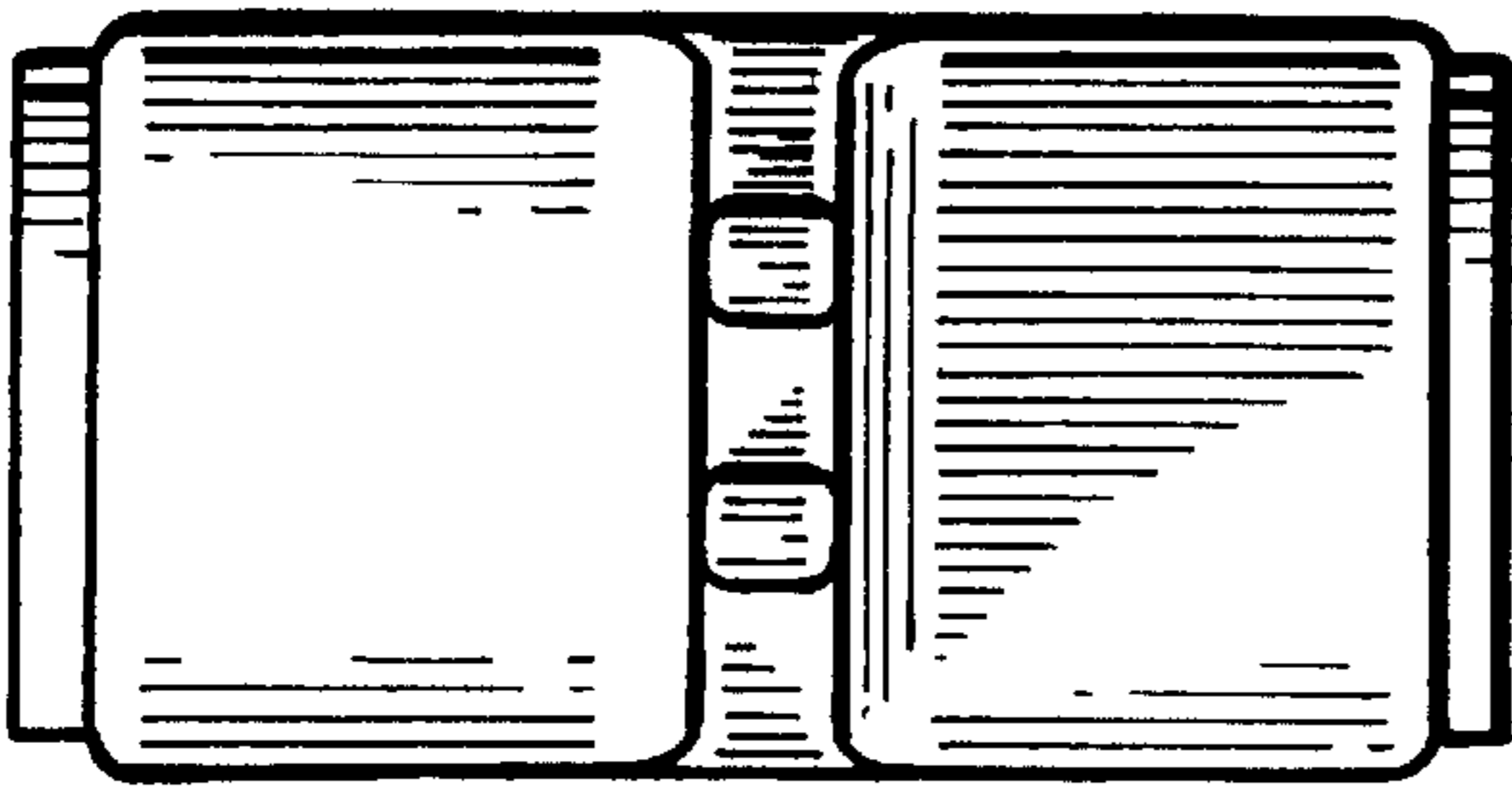


FIG. 5

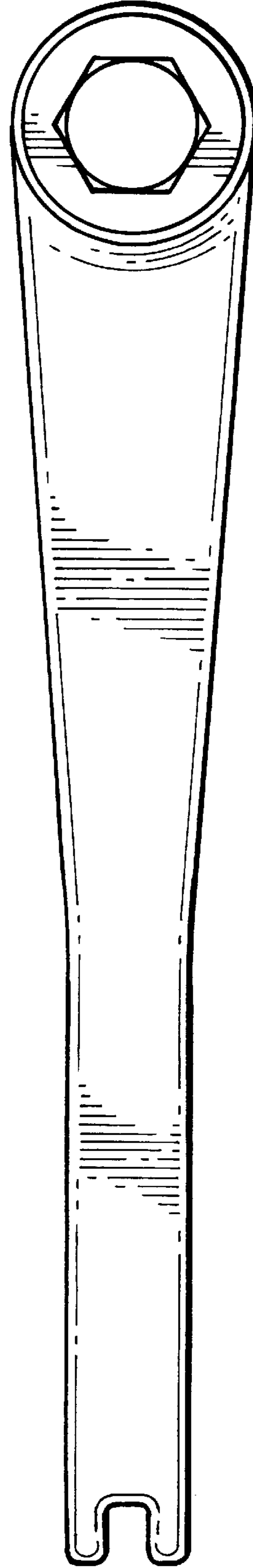


FIG. 4