



US00D473434S

(12) **United States Design Patent**  
**Coburn**

(10) **Patent No.:** **US D473,434 S**

(45) **Date of Patent:** **\*\* Apr. 22, 2003**

(54) **JAR OPENER**

(76) **Inventor:** **Richard D. B. Coburn**, 1A Crystal Beach Drive, Ottawa, Ontario (CA), K2H 5M5

(\*\*) **Term:** **14 Years**

(21) **Appl. No.:** **29/152,261**

(22) **Filed:** **Oct. 29, 2001**

(51) **LOC (7) Cl.** ..... **07-99**

(52) **U.S. Cl.** ..... **D8/18; D3/40**

(58) **Field of Search** ..... D8/33-43, 18, D8/19, 16; 30/400-443; 81/3.07-3.49; 7/151-156; D3/208, 211, 210

(56) **References Cited**

**U.S. PATENT DOCUMENTS**

952,170	A	*	3/1910	Zeese	.....	30/411
1,471,601	A	*	10/1923	Hasty	.....	30/446
1,709,736	A	*	4/1929	Patermann	.....	30/411
1,877,019	A	*	9/1932	Nathan	.....	81/3.55
D112,874	S	*	1/1939	Crowley	.....	D8/16
D153,396	S	*	4/1949	Roytek	.....	D8/18
2,503,683	A	*	4/1950	Perkins	.....	81/3.55
2,546,467	A	*	3/1951	McBride	.....	30/414
3,204,907	A	*	9/1965	Tattrie	.....	248/211
3,610,076	A	*	10/1971	Martens	.....	81/3.55
3,872,745	A	*	3/1975	Garza et al.	.....	81/3.55
3,984,026	A	*	10/1976	Shoup	.....	220/278
D245,666	S	*	9/1977	Calkins et al.	.....	D8/18
D247,213	S	*	2/1978	Nilsen et al.	.....	D8/18
4,213,215	A	*	7/1980	Hall	.....	7/152
D256,323	S	*	8/1980	Obland	.....	D8/18
4,216,685	A	*	8/1980	Taylor	.....	81/3.55

4,455,895	A	*	6/1984	Christensen	.....	81/3.55
D288,894	S	*	3/1987	Bordonaro et al.	.....	D8/18
D312,038	S	*	11/1990	Sachs	.....	D8/371
5,228,159	A	*	7/1993	Gurka	.....	7/105
5,337,632	A	*	8/1994	Thomas et al.	.....	81/3.55
D350,264	S	*	9/1994	Friend	.....	D8/43
D369,532	S	*	5/1996	Scutt	.....	D8/40
5,842,594	A	*	12/1998	Ibara	.....	220/314

\* cited by examiner

*Primary Examiner*—Jeffrey Asch  
(74) *Attorney, Agent, or Firm*—Kilpatrick Stockton LLP; John S. Pratt

(57) **CLAIM**

The ornamental design for a jar opener, as shown and described.

**DESCRIPTION**

FIG. 1 is a perspective view of one embodiment of the jar opener.

FIG. 2 is a side elevation view of the jar opener of FIG. 1.

FIG. 3 is a front elevation view of the jar opener of FIG. 1.

FIG. 4 is a back elevation view of the jar opener of FIG. 1.

FIG. 5 is a top plan view of the jar opener of FIG. 1.

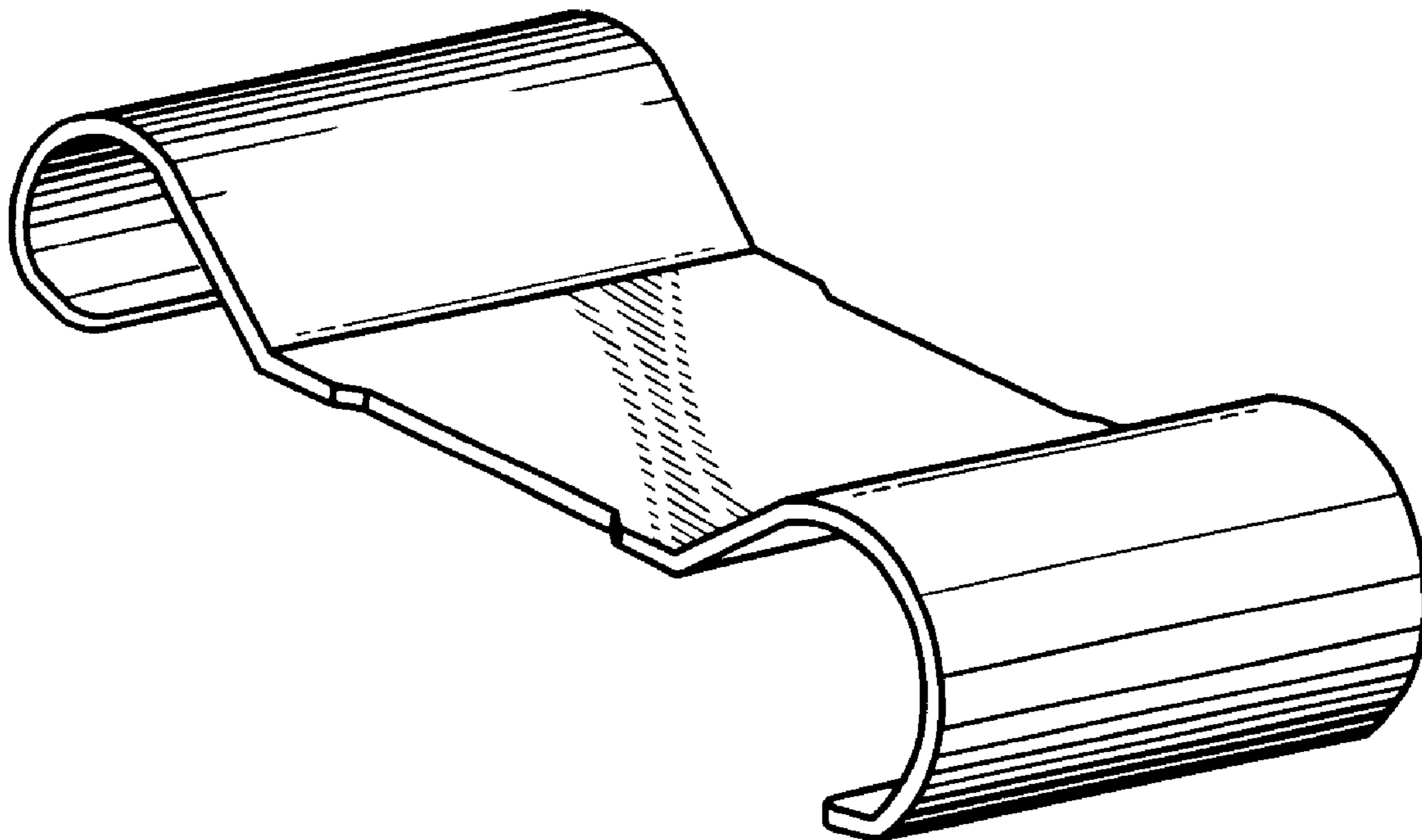
FIG. 6 is a bottom plan view of the of the jar opener of FIG. 1.

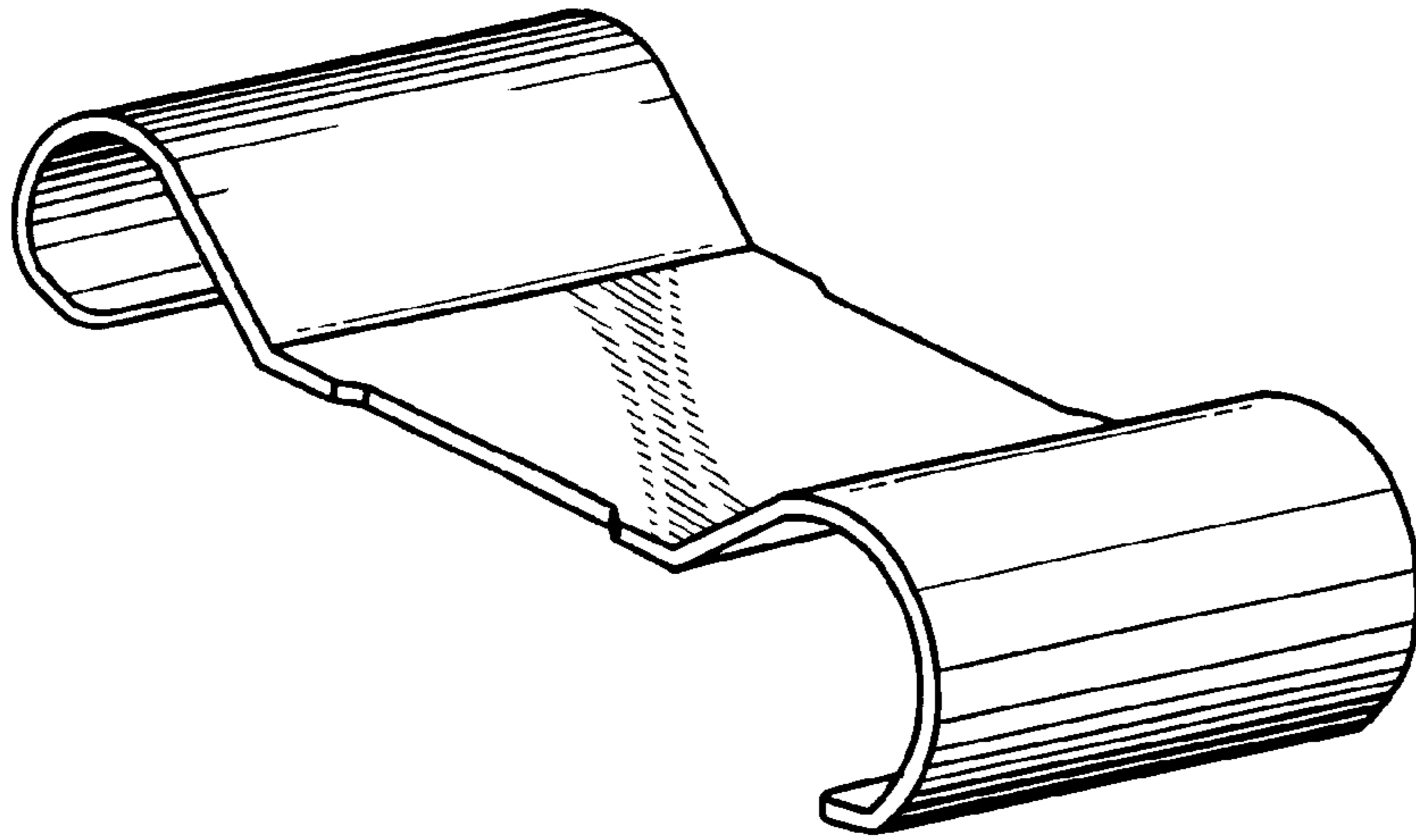
FIG. 7 is a perspective view of another embodiment of the jar opener.

FIG. 8 is a side elevation view of the jar opener of FIG. 7.

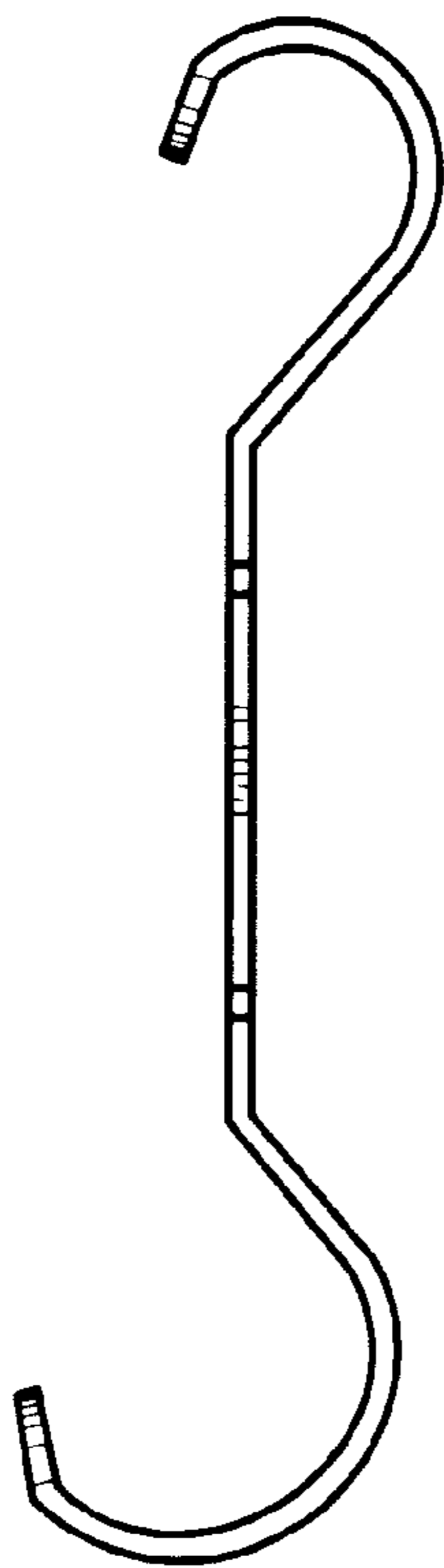
FIG. 9 is a top plan view of the jar opener of FIG. 1; and, FIG. 10 is a bottom plan view of the of the jar opener of FIG. 7.

**1 Claim, 3 Drawing Sheets**

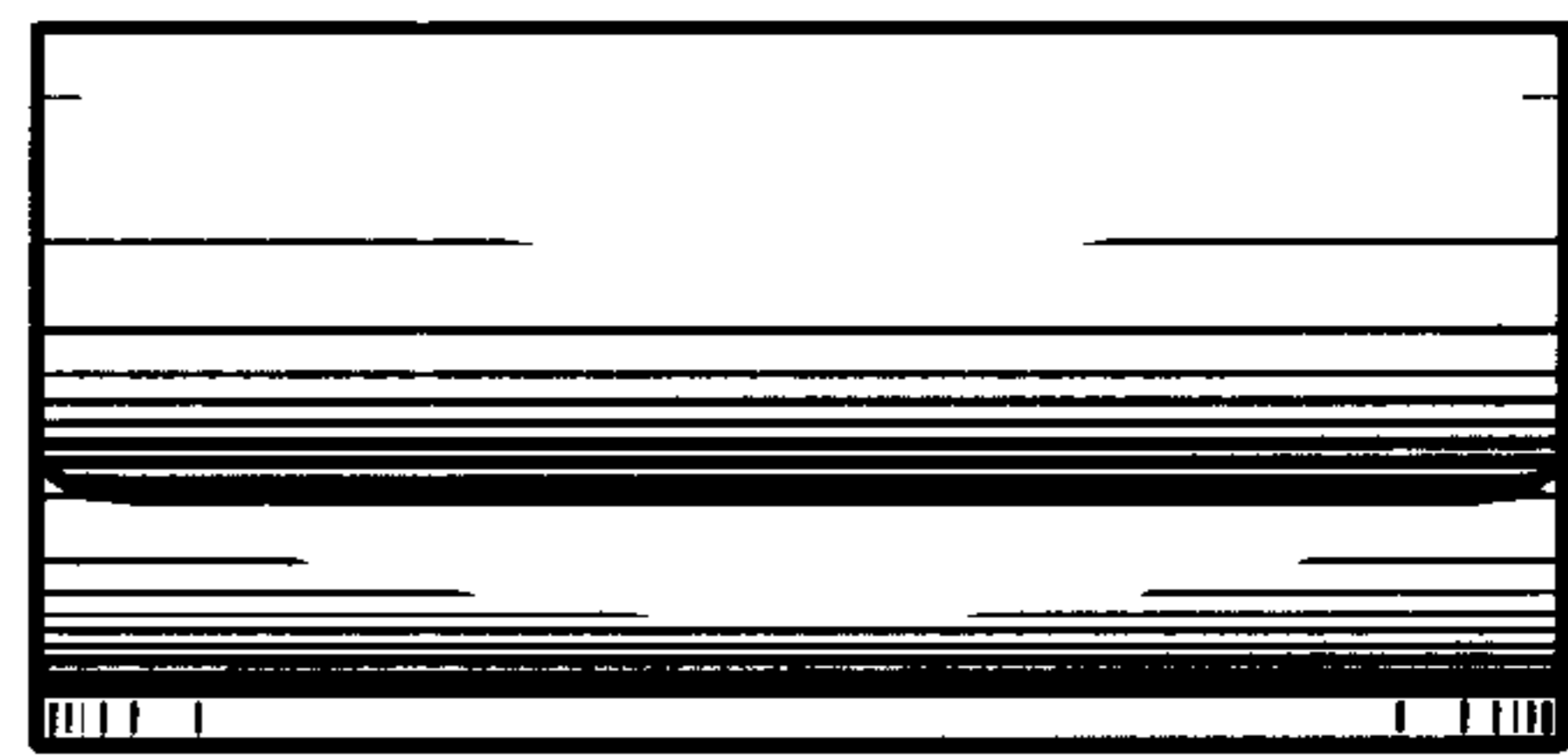




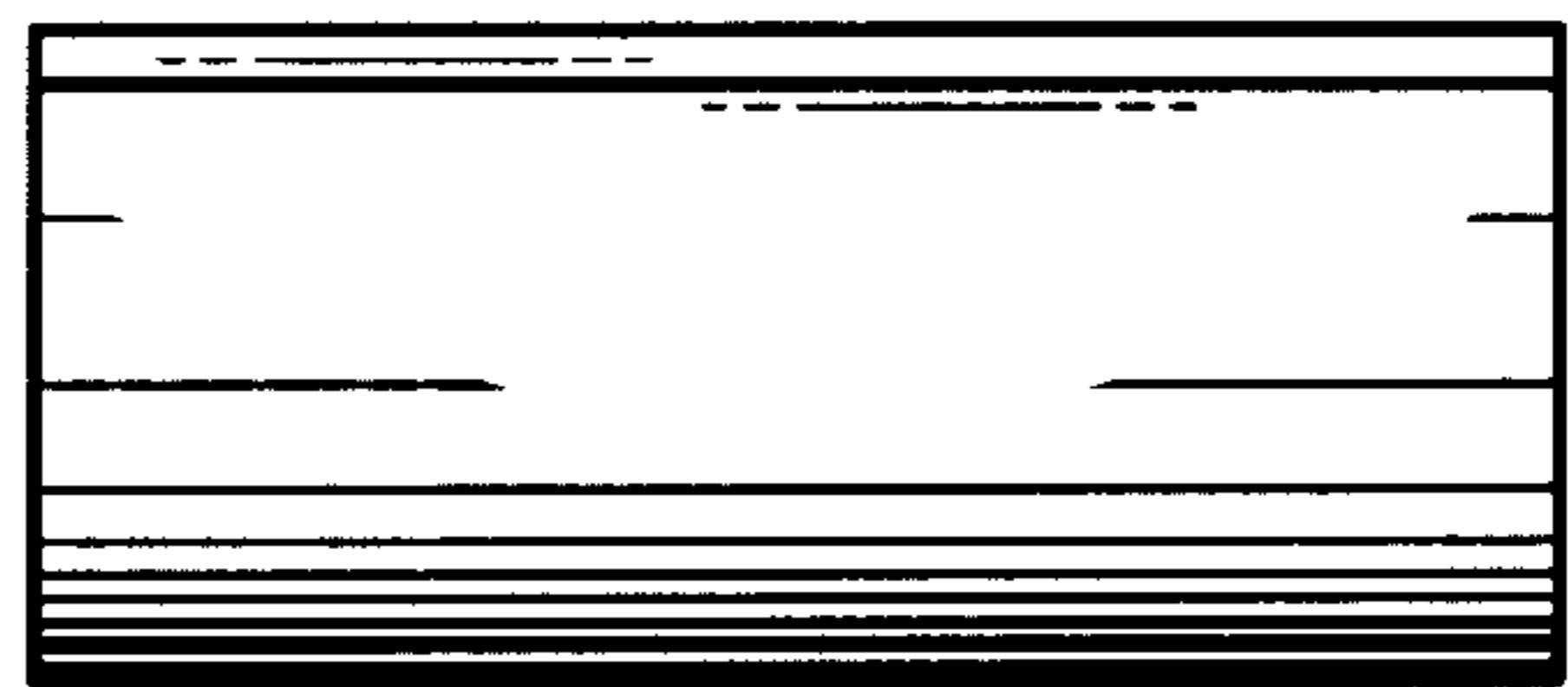
*Fig. 1*



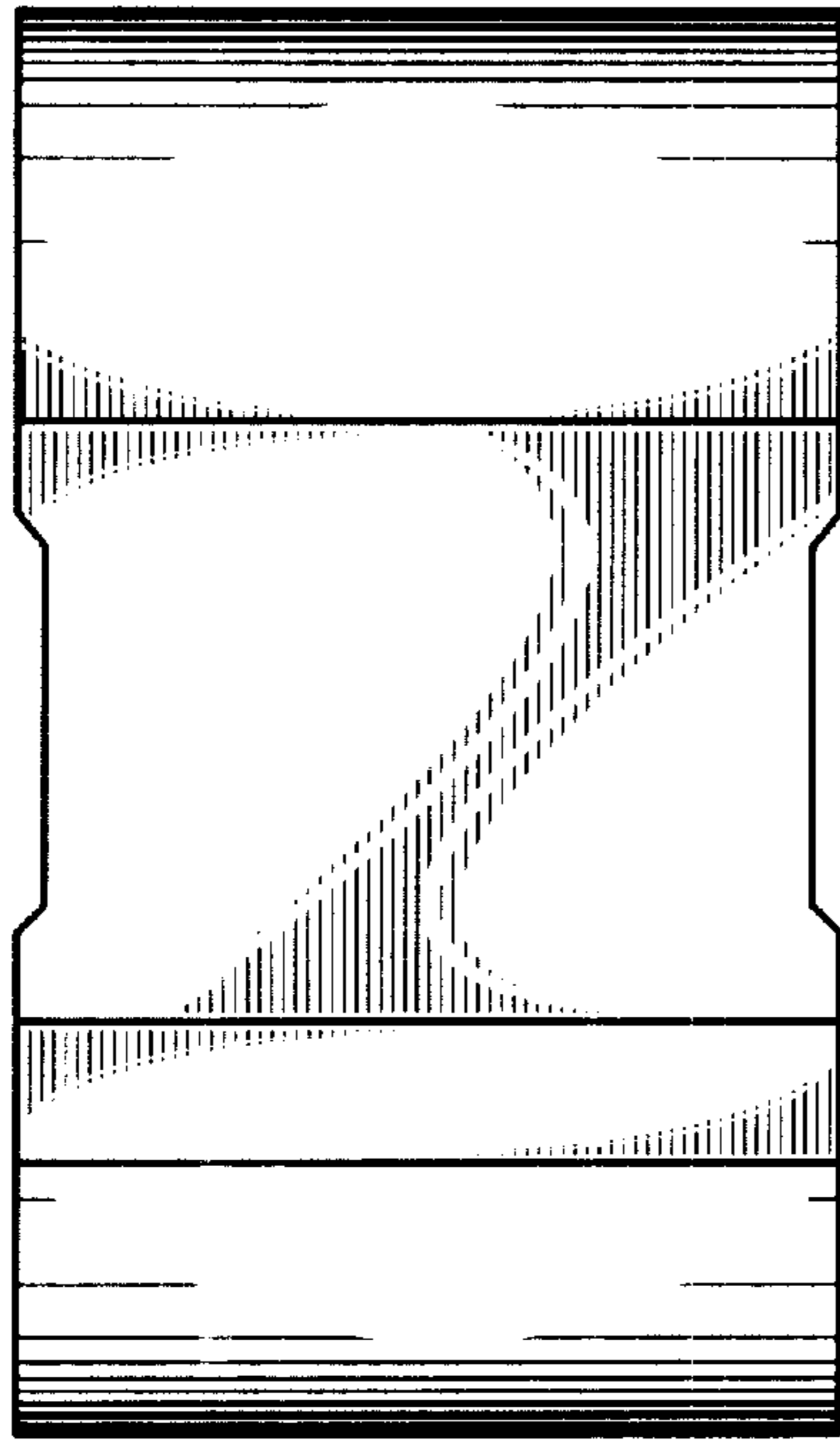
*Fig. 2*



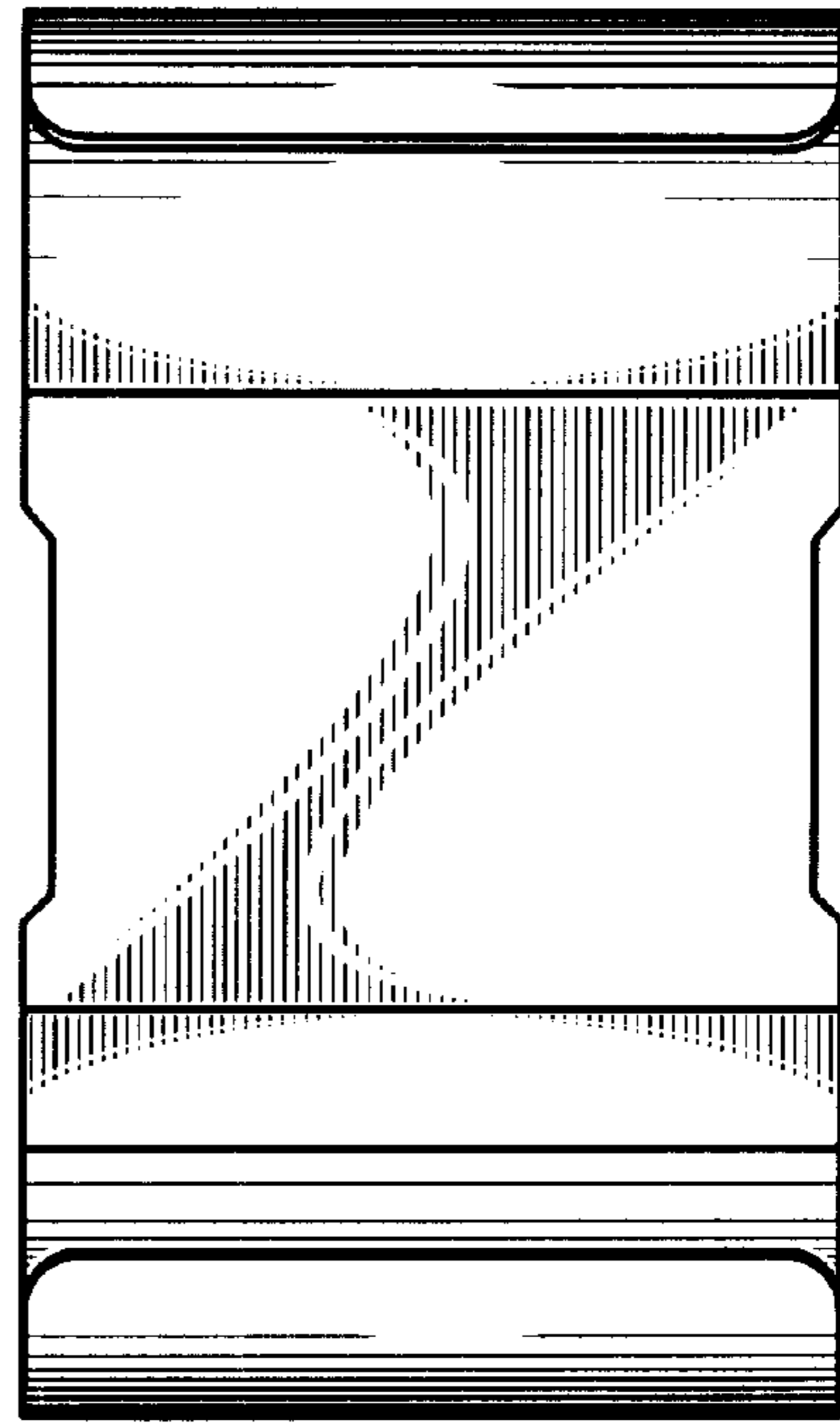
*Fig. 3*



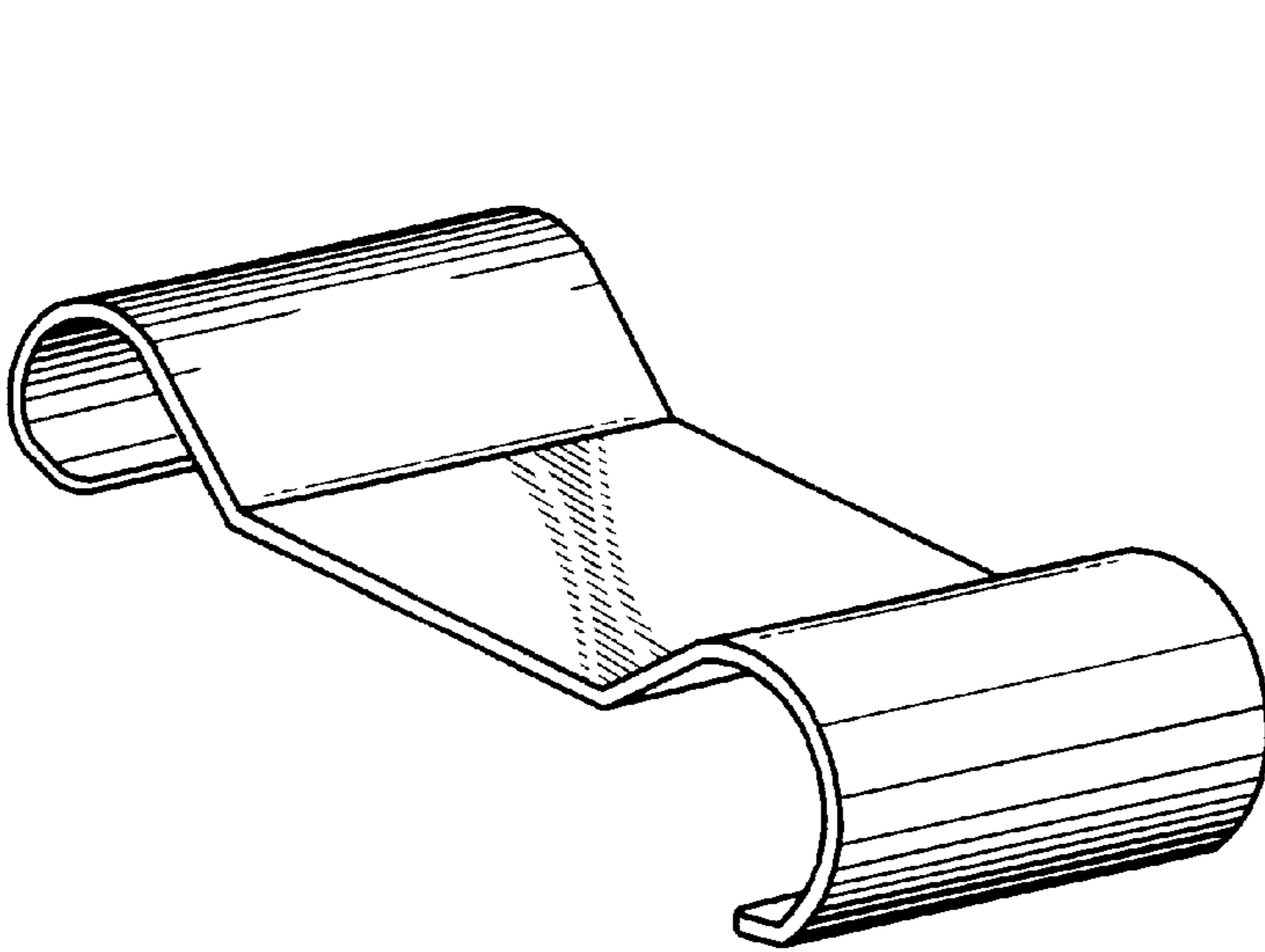
*Fig. 4*



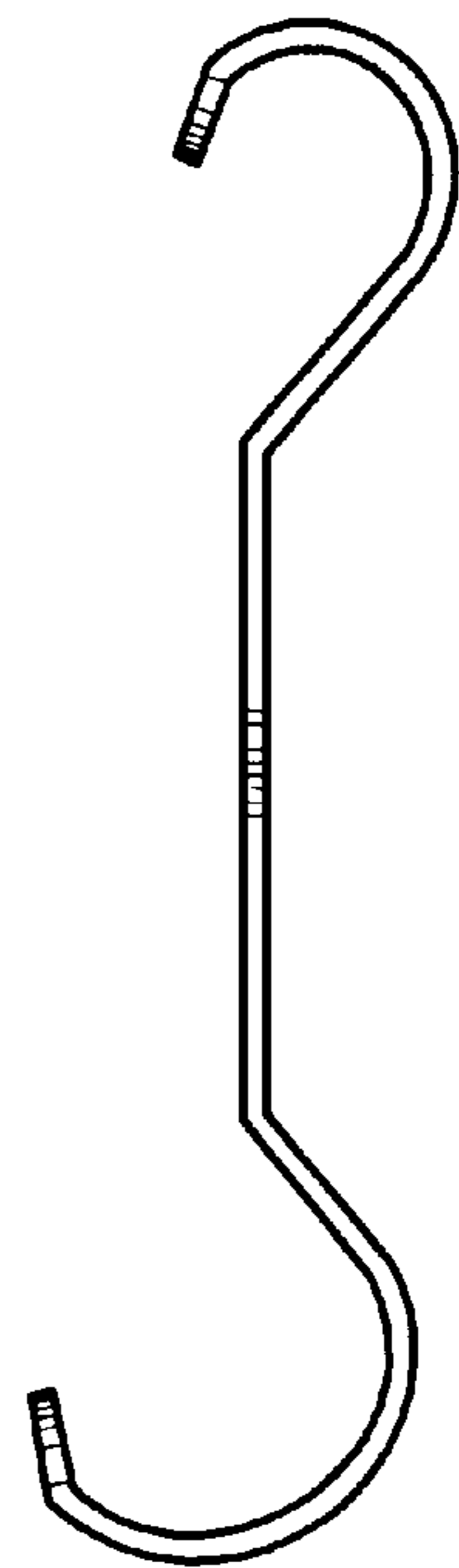
*Fig. 5*



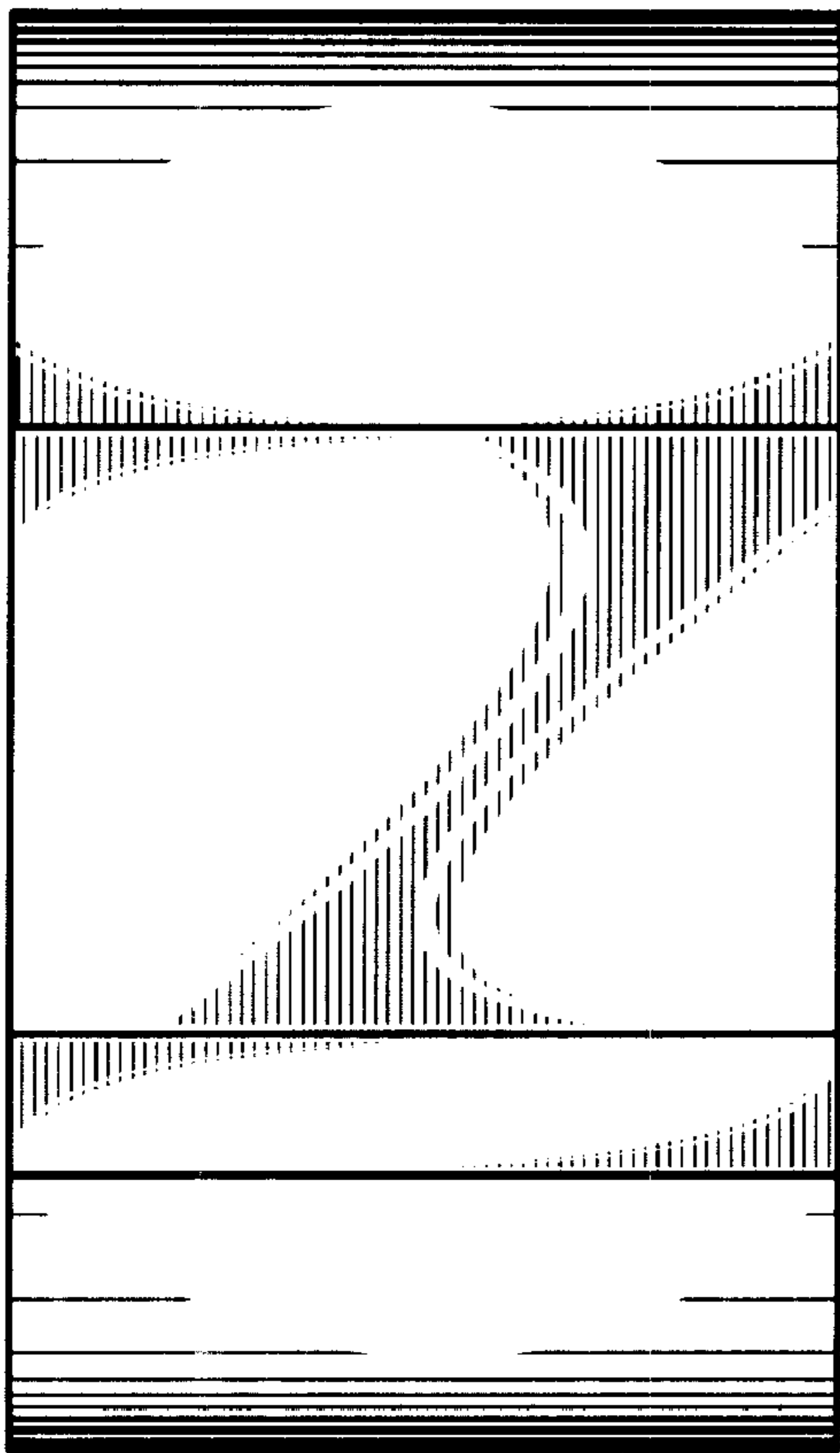
*Fig. 6*



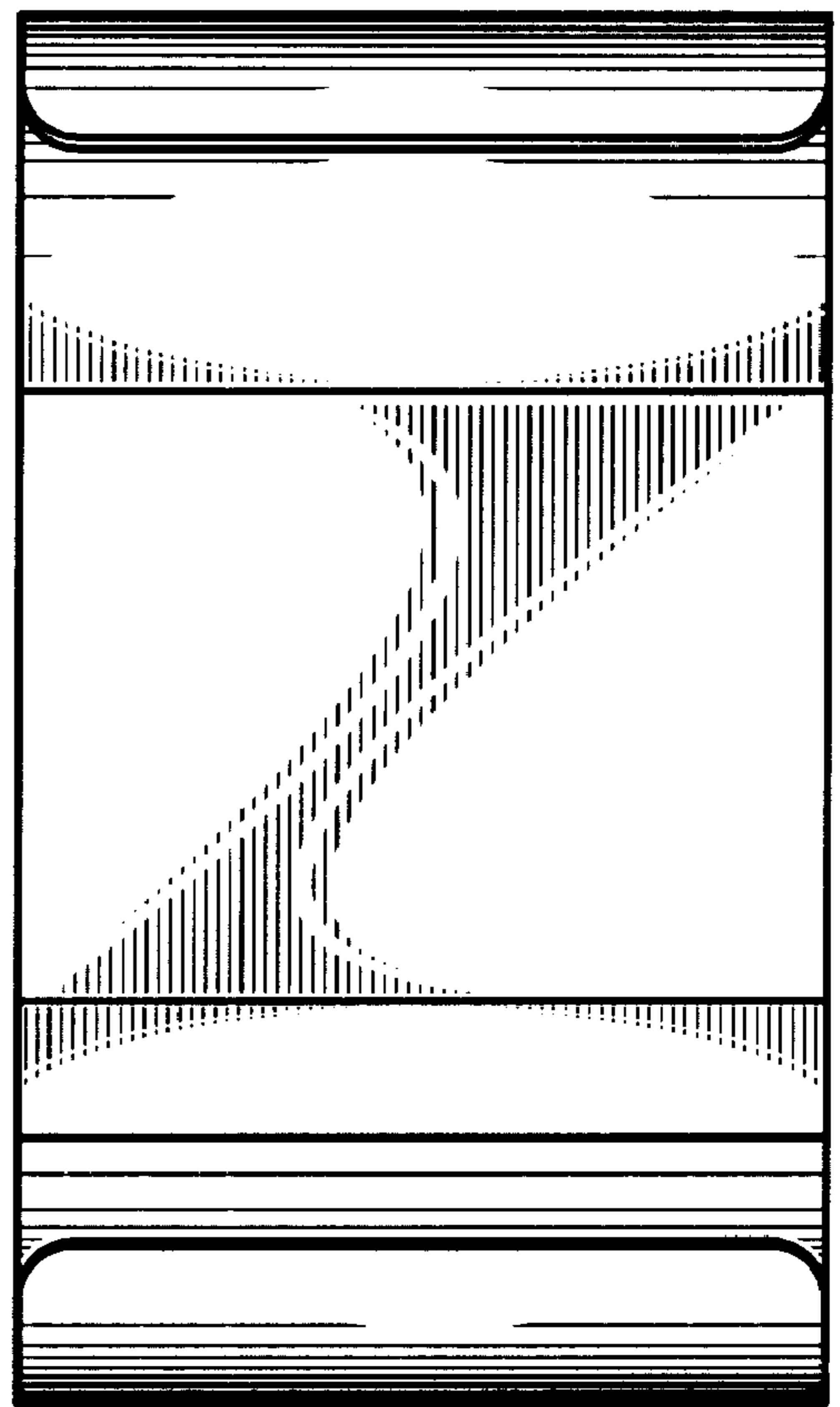
*Fig. 7*



*Fig. 8*



*Fig. 9*



*Fig. 10*