



US00D473429S

(12) **United States Design Patent**
Osborne et al.

(10) **Patent No.:** **US D473,429 S**

(45) **Date of Patent:** **** Apr. 22, 2003**

(54) **DEVILS EGG CONTAINER**

(76) Inventors: **Yaeko T. Osborne**, 1400 Lower View Ct., Crownsville, MD (US) 21032;
Lester F. Osborne, 1400 Lower View Ct., Crownsville, MD (US) 21032

(**) Term: **14 Years**

(21) Appl. No.: **29/159,970**

(22) Filed: **May 2, 2002**

(51) **LOC (7) Cl.** **07-01**

(52) **U.S. Cl.** **D7/611; D7/541**

(58) **Field of Search** D7/549, 555-557, D7/611, 610, 538-542, 391, 392.1; 206/557, 561-564; 211/14, 85.4

(56) **References Cited**

U.S. PATENT DOCUMENTS

D19,248 S * 8/1889 Atterbury D7/392.1
D122,178 S * 8/1940 Wagner D7/611
D155,361 S * 9/1949 Rapp D7/613

2,844,258 A * 7/1958 Faber 211/14
3,034,496 A * 5/1962 Greenwald D7/611 X
3,236,389 A * 2/1966 Murdock 211/85.4
4,011,954 A * 3/1977 Galli 211/14

* cited by examiner

Primary Examiner—Terry A. Wallace

(57) **CLAIM**

The ornamental design for a devils egg container, as shown and described.

DESCRIPTION

FIG. 1 is a side view of a devils egg container showing my new design.

FIG. 2 is an exploded front view of the devils egg container.

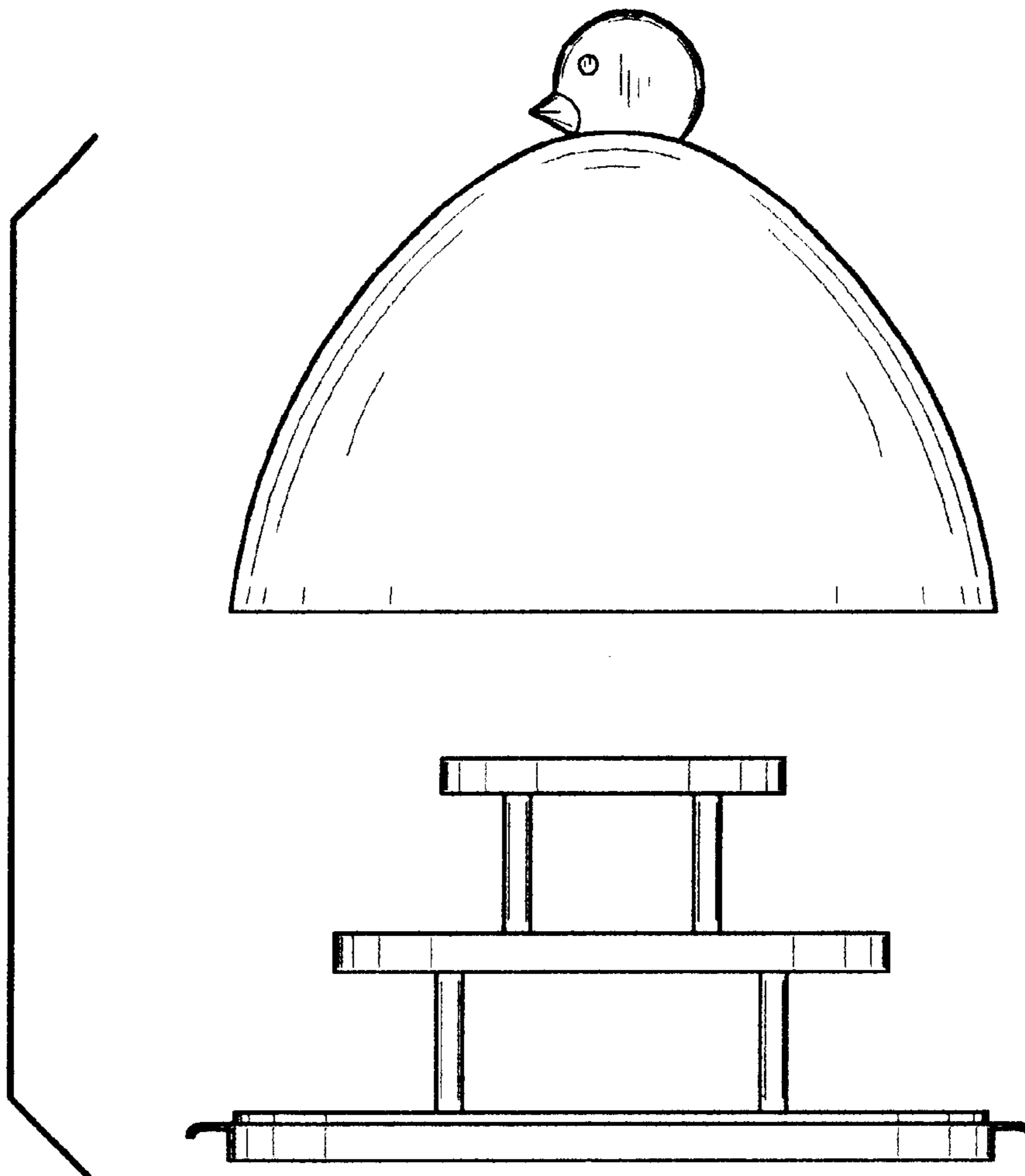
FIG. 3 is an exploded rear view of the devils egg container.

FIG. 4 is an exploded top view of the devils egg container.

FIG. 5 is an exploded bottom view of the devils egg container; and,

FIG. 6 is a perspective view of the devils egg container.

1 Claim, 6 Drawing Sheets



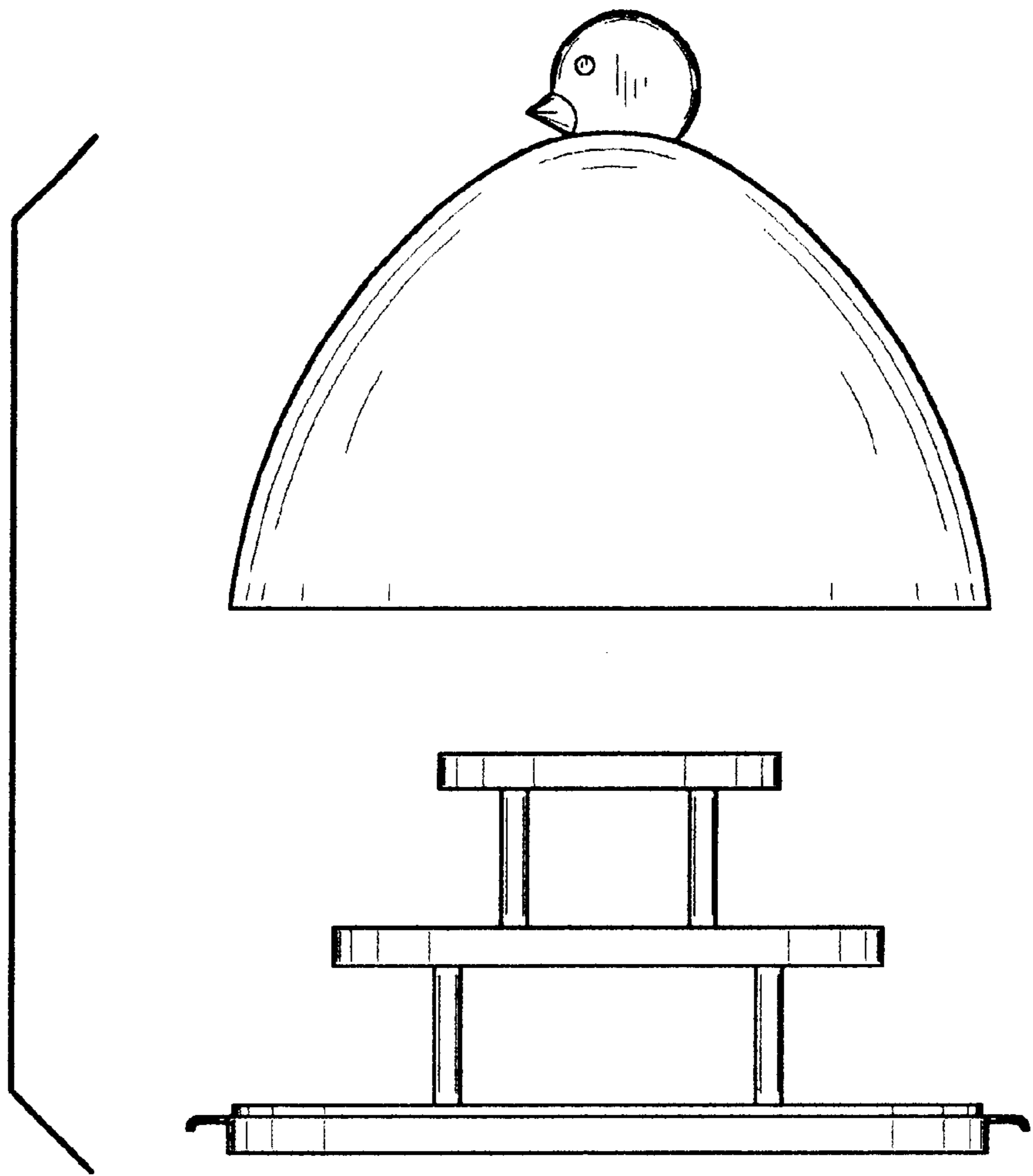


FIG. 1

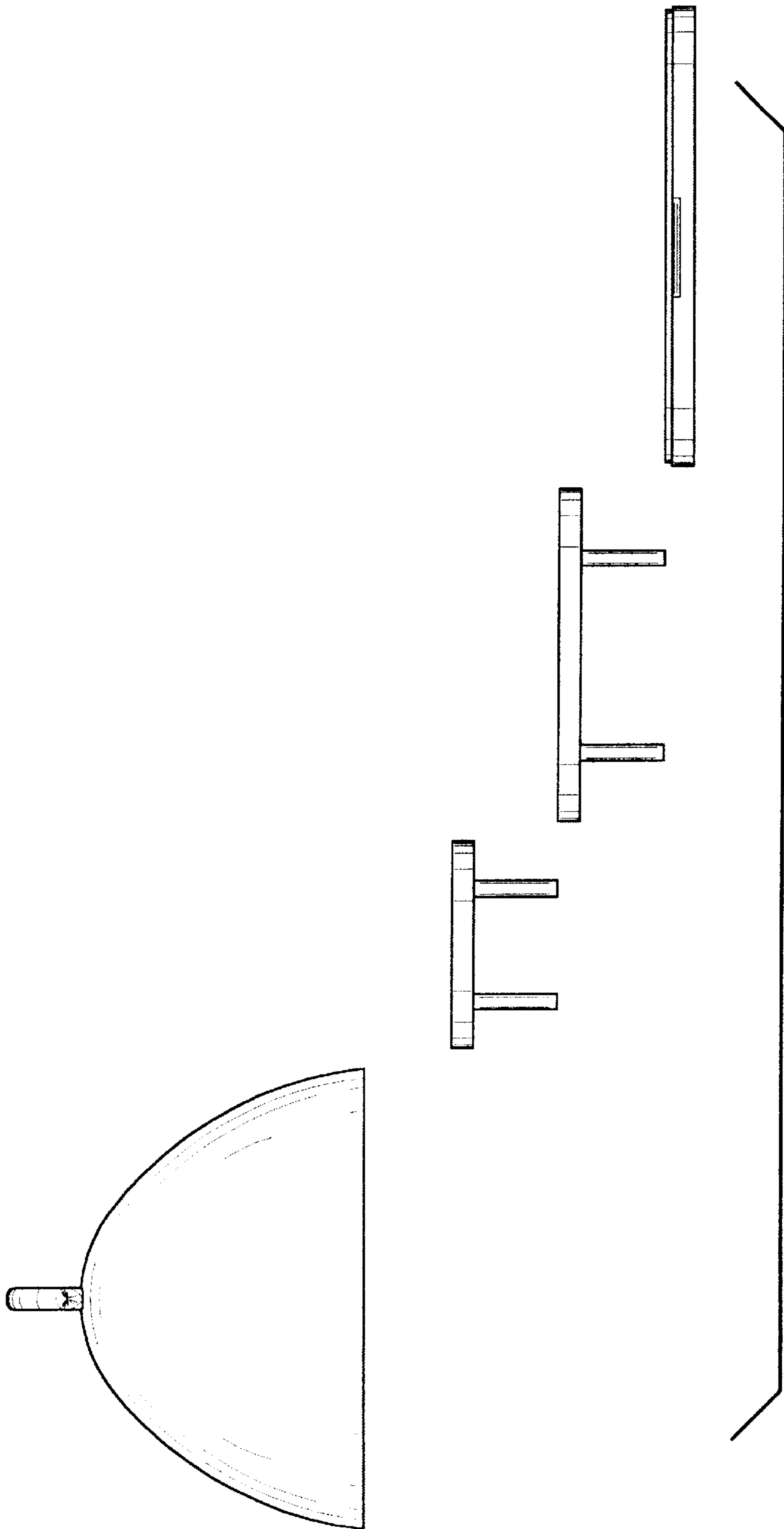


FIG. 2

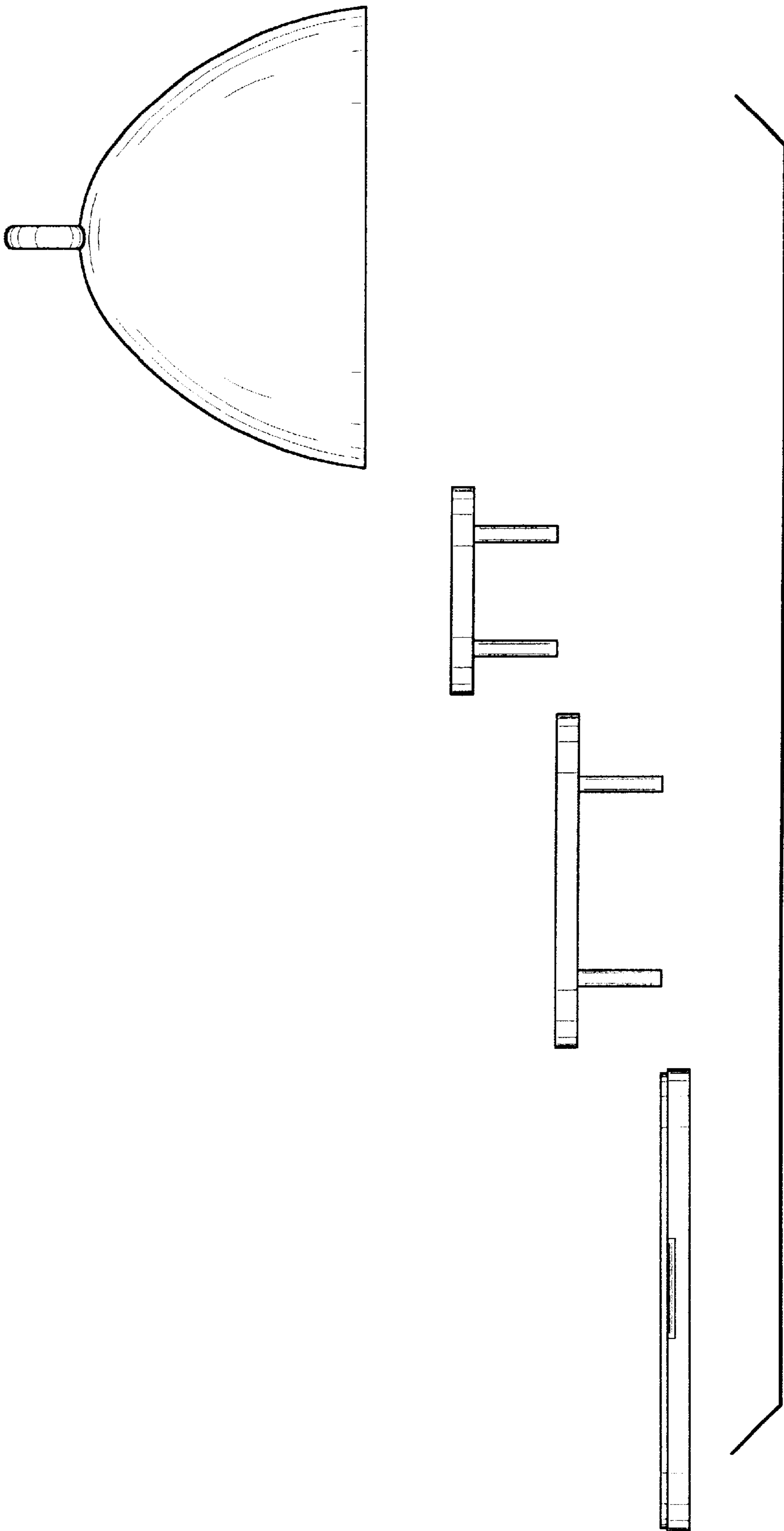


FIG. 3

FIG. 4

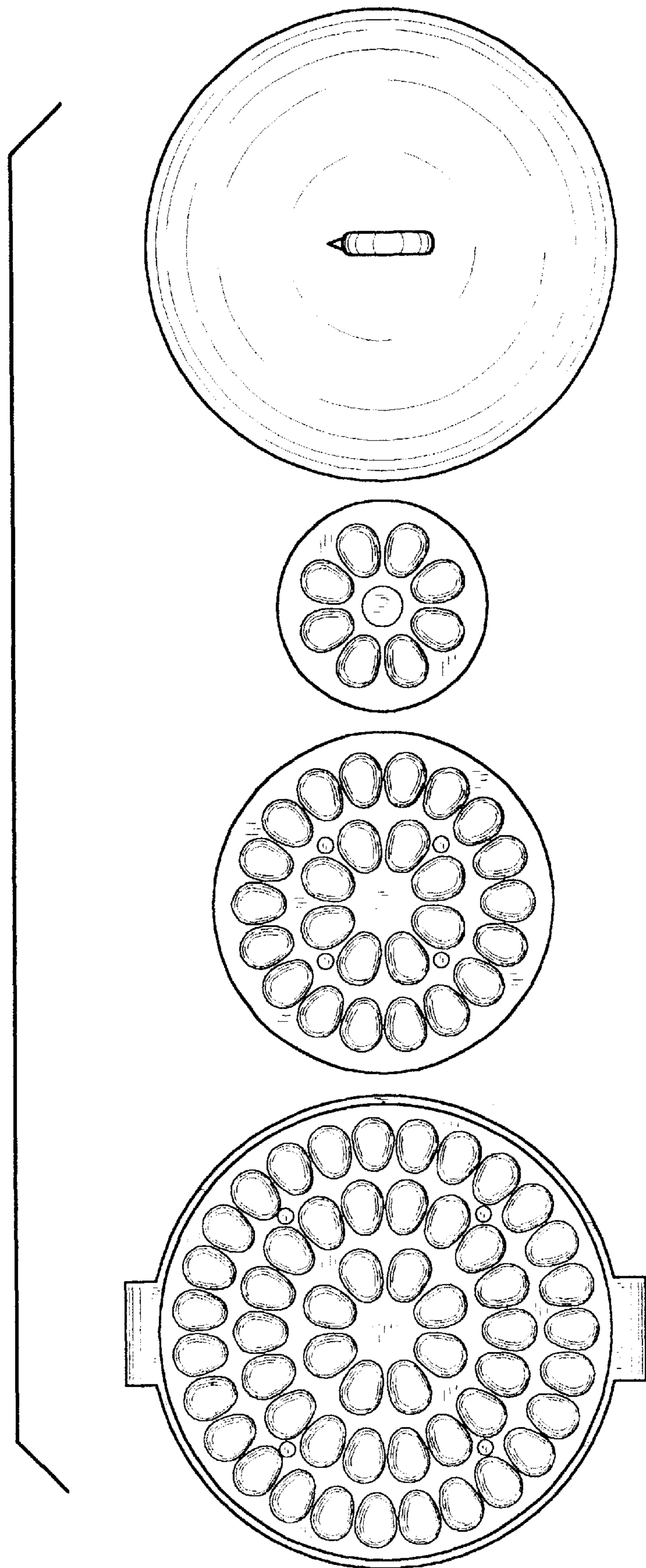
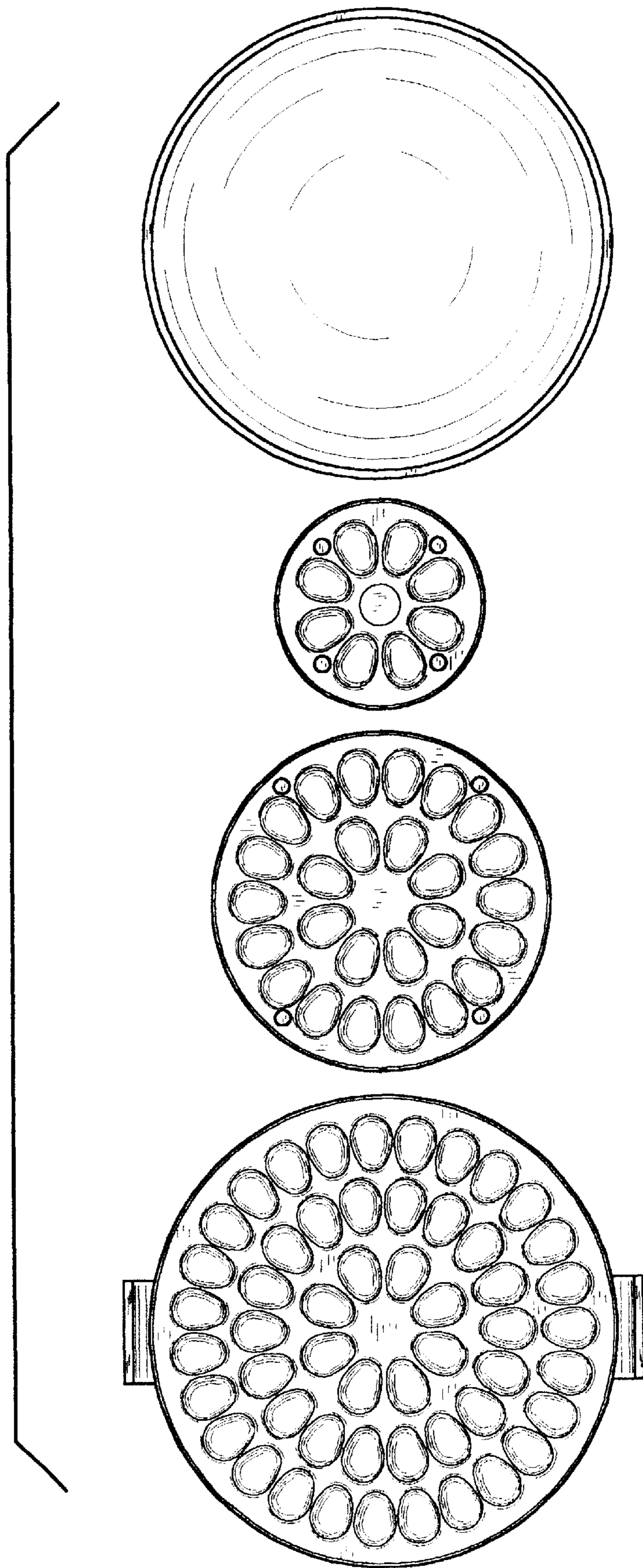


FIG. 5



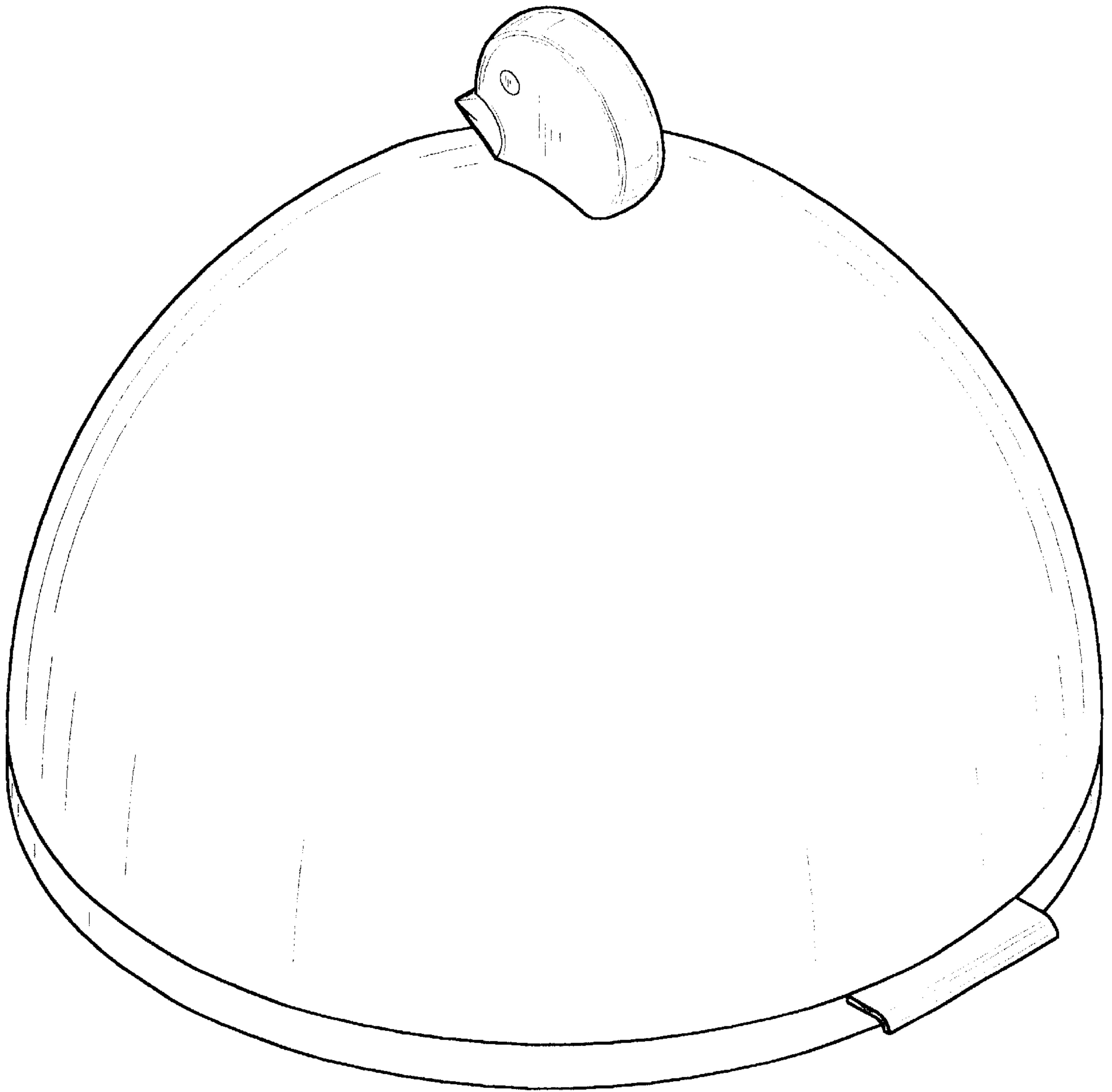


FIG. 6