



US00D473424S

(12) **United States Design Patent**  
**Kerman**

(10) **Patent No.:** **US D473,424 S**

(45) **Date of Patent:** **\*\* Apr. 22, 2003**

(54) **STEM FOR AN ARTICLE OF STEMWARE**

(75) **Inventor:** **Staci Lynn Kerman**, Ann Arbor, MI  
(US)

(73) **Assignee:** **Libbey Glass Inc.**, Toledo, OH (US)

(\*\*) **Term:** **14 Years**

(21) **Appl. No.:** **29/164,384**

(22) **Filed:** **Jul. 24, 2002**

(51) **LOC (7) Cl.** ..... **07-99**

(52) **U.S. Cl.** ..... **D7/396.2; D7/396.6**

(58) **Field of Search** ..... D7/396.2, 524,  
D7/525, 526, 527, 528, 537, 515, 518,  
521, 522, 396.6; 215/374; 220/743, 491,  
752

(56) **References Cited**

**U.S. PATENT DOCUMENTS**

D3,154 S	*	8/1868	Cutter	.....	215/374
D77,227 S	*	12/1928	Dougherty	.....	D7/537
D77,943 S	*	3/1929	Dougherty	.....	D7/537
D78,059 S	*	3/1929	Venon	.....	D7/537
D98,490 S	*	2/1936	Bennett	.....	D7/515
D181,657 S	*	12/1957	Kimble	.....	D7/527

D213,250 S	*	1/1969	Yutzey	.....	D7/527
D236,405 S	*	8/1975	Thrush	.....	D7/524
D250,162 S	*	11/1978	Eneroth	.....	D7/537
D271,653 S	*	12/1983	Boehm	.....	D7/524
D370,597 S	*	6/1996	Hoffer	.....	D7/525

\* cited by examiner

*Primary Examiner*—M. N. Pandozzi

(74) *Attorney, Agent, or Firm*—Emch, Schaffer, Schaub & Porcello Co., L.P.A.

(57) **CLAIM**

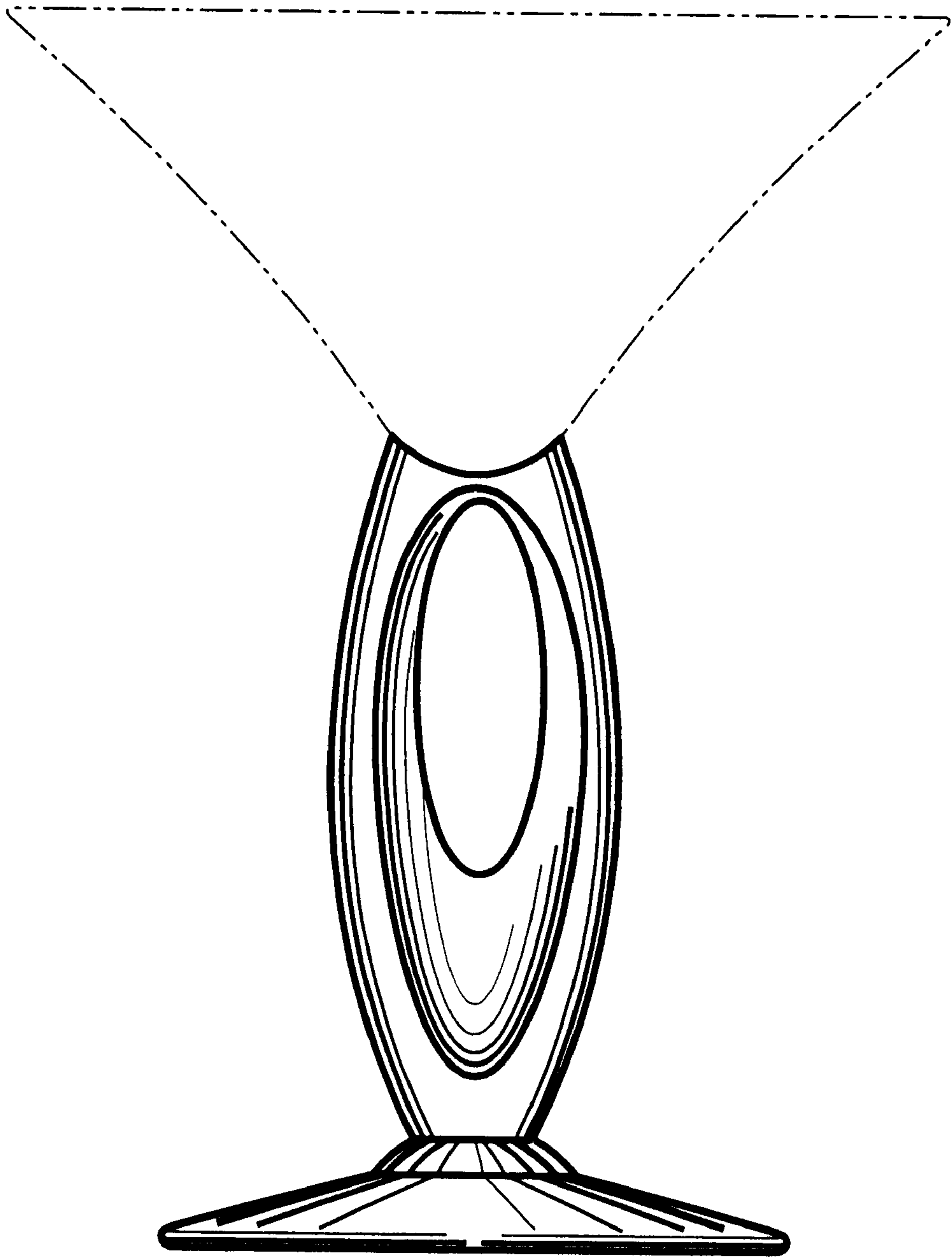
The ornamental design for a stem for an article of stemware, as shown and described.

**DESCRIPTION**

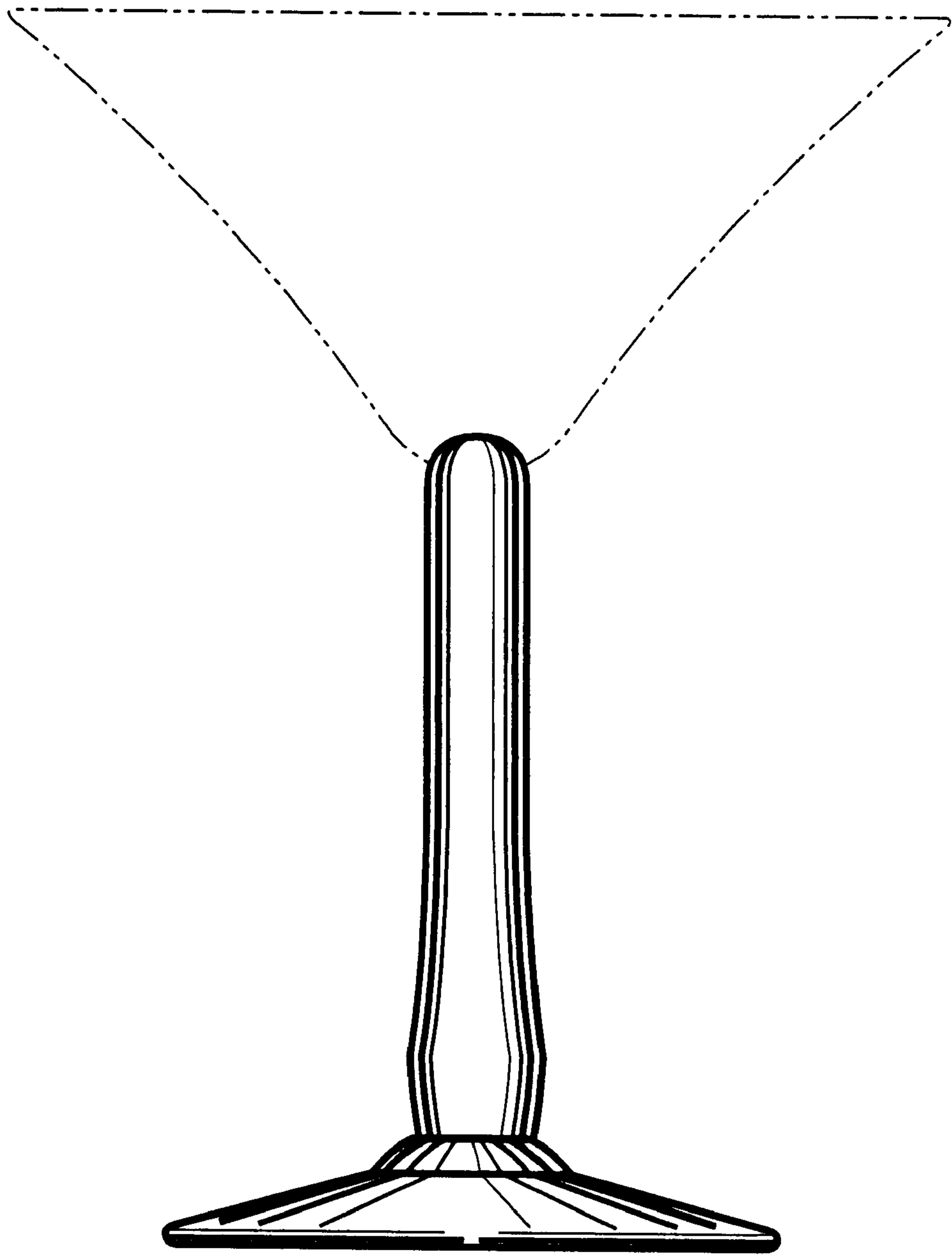
FIG. 1 is a front elevational view of a stem for an article of stemware according to the present design; the back elevational view being the same; FIG. 2 is a first side elevational view thereof; the second side elevational view being the same; FIG. 3 is a top view thereof; and, FIG. 4 is a bottom view thereof. The broken lines shown in the drawings are for illustrative purposes only and form no part of the claimed design.

**1 Claim, 3 Drawing Sheets**

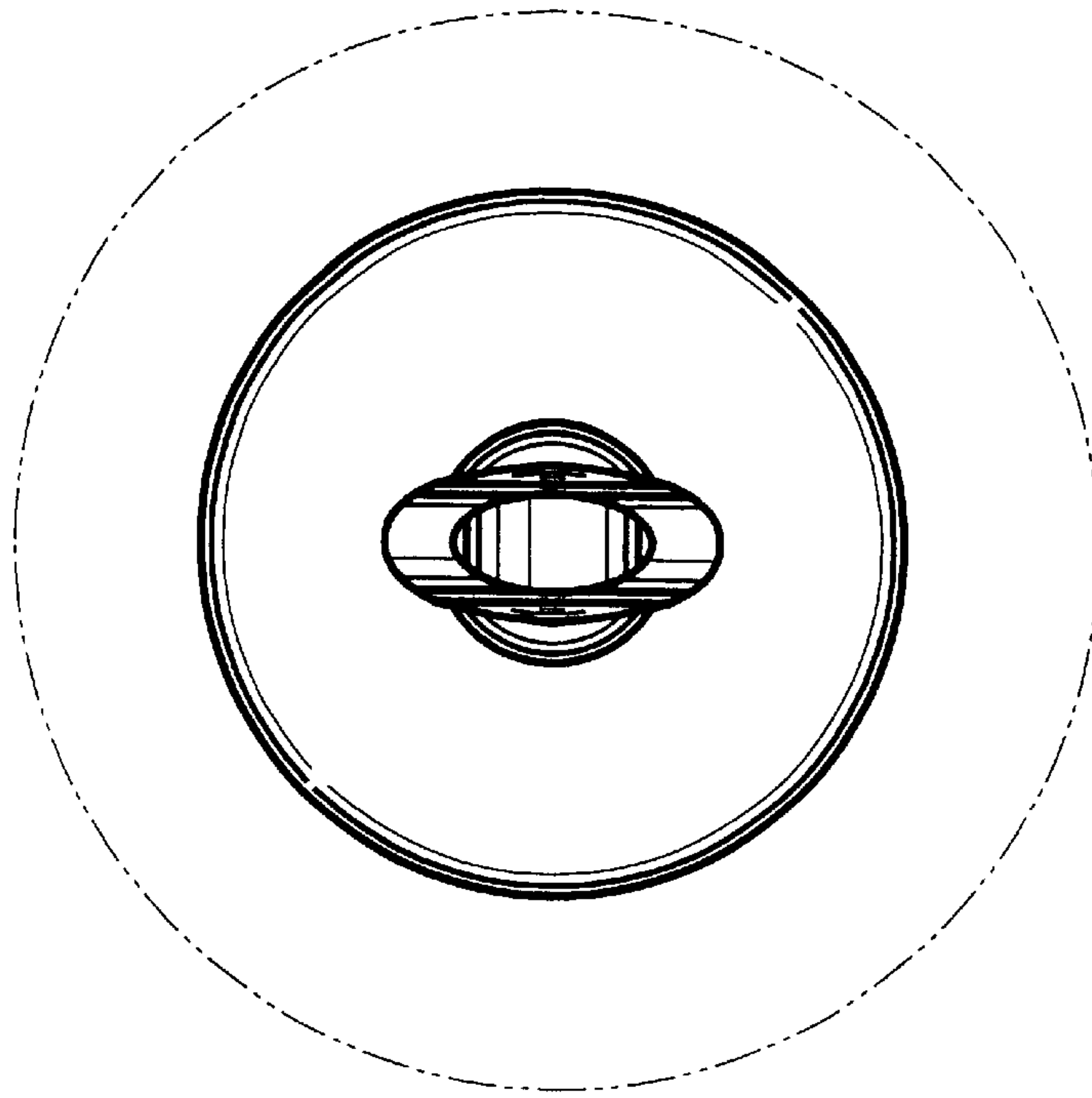




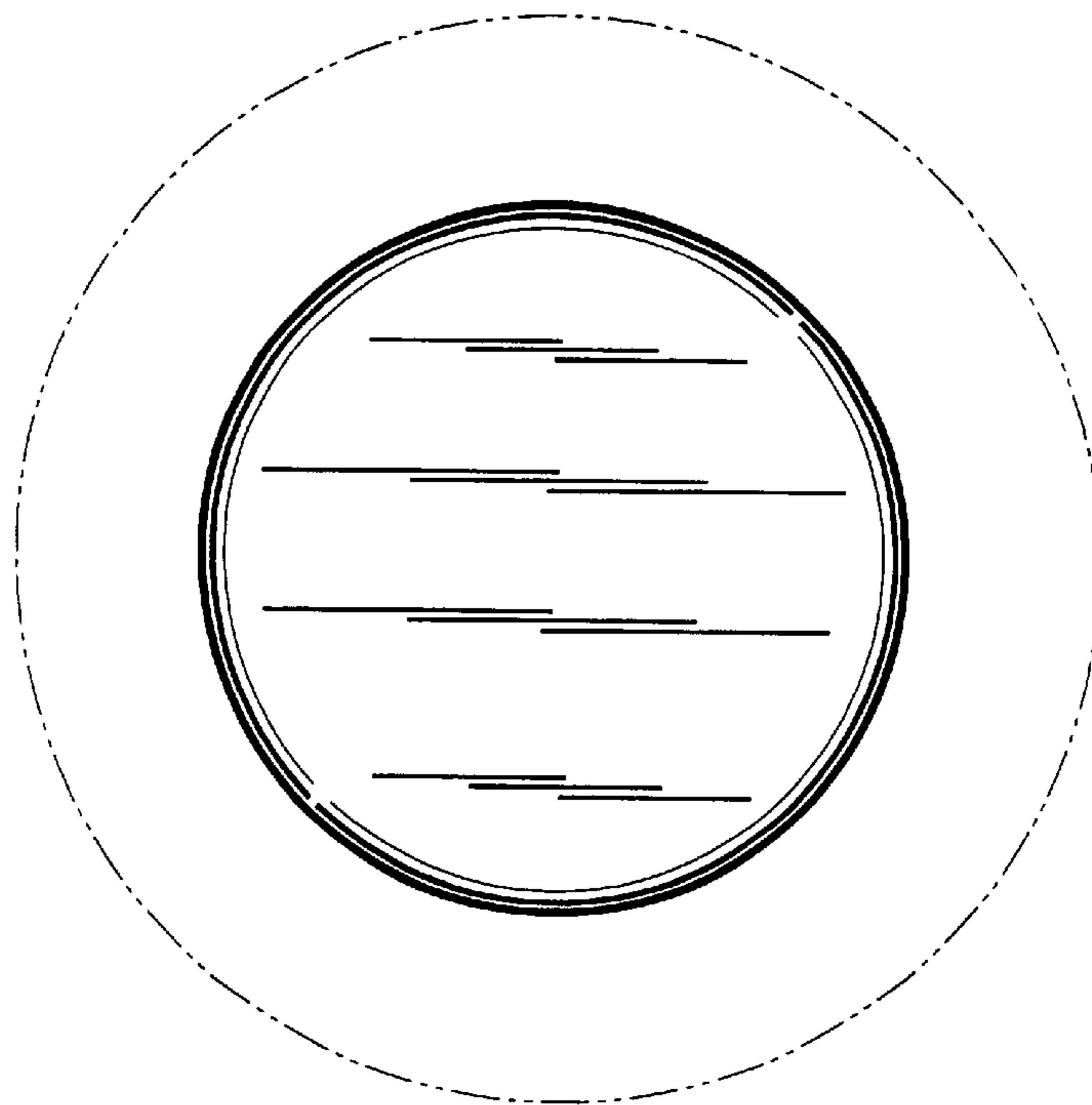
— FIG. 1



— FIG. 2



—FIG. 3



—FIG. 4