



US00D473423S

(12) **United States Design Patent**
Rhoad

(10) **Patent No.:** **US D473,423 S**

(45) **Date of Patent:** **** Apr. 22, 2003**

(54) **LID FOR A CUP**

(76) **Inventor:** **J. Dan Rhoad**, 817 Farnum Rd.,
Orange Burg, SC (US) 29118

(**) **Term:** **14 Years**

(21) **Appl. No.:** **29/157,384**

(22) **Filed:** **Mar. 18, 2002**

(51) **LOC (7) Cl.** **07-99**

(52) **U.S. Cl.** **D7/392.1; D7/396.2; D7/900**

(58) **Field of Search** **D7/392.1, 396.2,**
D7/900, 510, 511, 515; 220/713, 258.2;
D24/197; 215/200; D9/441, 447, 454, 435

(56) **References Cited**

U.S. PATENT DOCUMENTS

D247,541 S	3/1978	Barger	
D310,567 S	* 9/1990	Fitzpatrick D24/197
4,961,510 A	* 10/1990	Dvoracek 220/713
D345,673 S	4/1994	Dark	
D361,469 S	* 8/1995	Young D7/392.1
D362,156 S	9/1995	Goto et al.	
D363,852 S	* 11/1995	Young D7/392.1
D364,314 S	11/1995	Humphrey et al.	
D364,315 S	11/1995	Humphrey et al.	
D364,316 S	11/1995	Humphrey et al.	
D364,317 S	11/1995	Humphrey et al.	
D369,943 S	5/1996	Dark	
D387,621 S	12/1997	Sullivan et al.	
D397,906 S	* 9/1998	Briggs et al. D7/392.1

D407,273 S	3/1999	Moran	
D410,175 S	5/1999	Moran	
D411,717 S	6/1999	Moran	
5,979,697 A	11/1999	Kim	
D429,443 S	* 8/2000	D'Alessio D7/392.1
D457,778 S	* 5/2002	Randolph et al. D7/392.1
D461,361 S	* 8/2002	Orr et al. D7/392.1

* cited by examiner

Primary Examiner—M. N. Pandozzi

(74) *Attorney, Agent, or Firm*—Michael A. Mann; Nexsen
Pruet Jacobs & Pollard, LLC

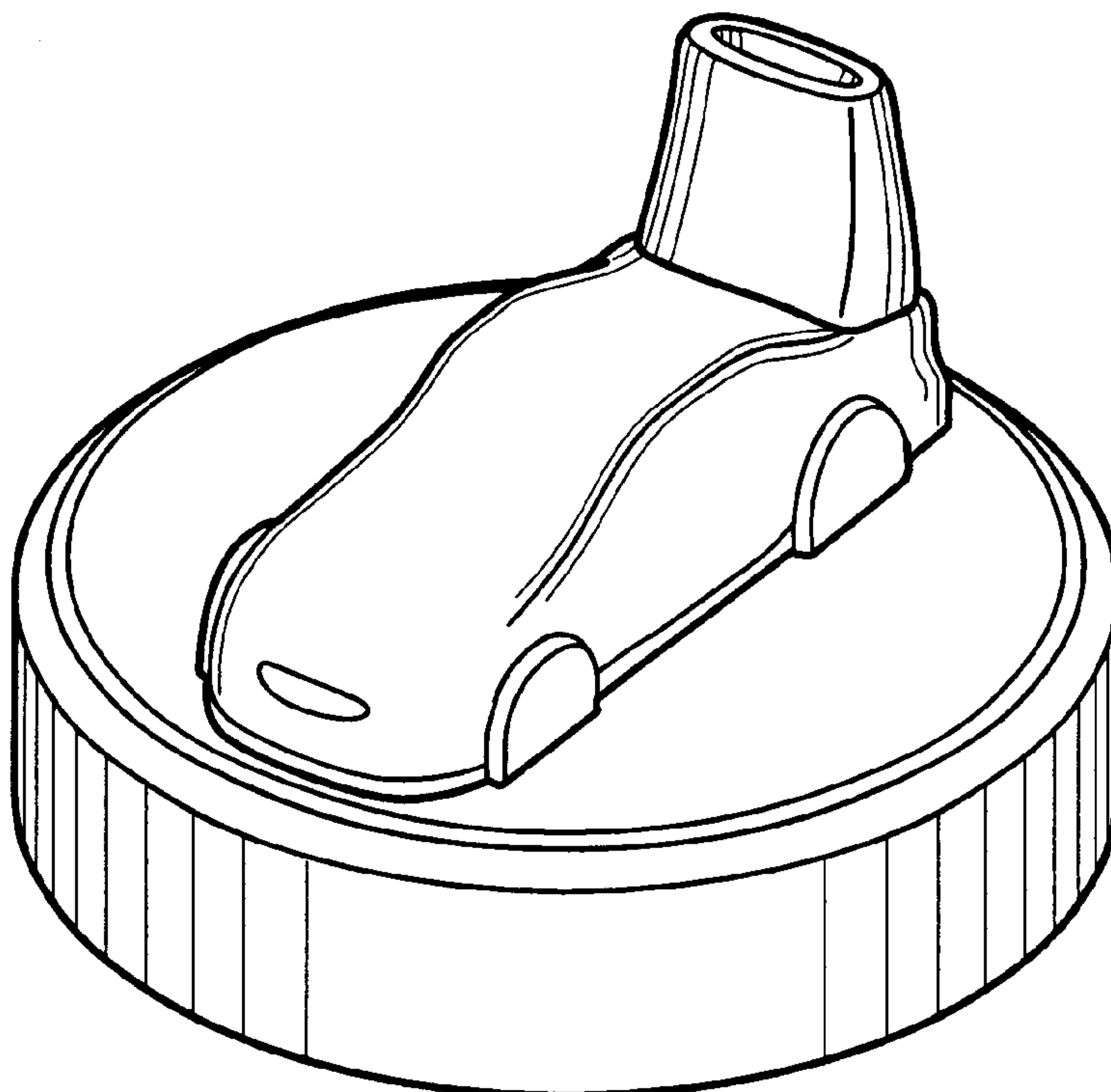
(57) **CLAIM**

I claim the ornamental design for a lid for a cup, as shown
and described.

DESCRIPTION

FIG. 1 of the preferred embodiment is a perspective view thereof;
 FIG. 2 of the preferred embodiment is a left elevational view thereof;
 FIG. 3 of the preferred embodiment is a right elevational view thereof;
 FIG. 4 of the preferred embodiment is a bottom view thereof;
 FIG. 5 of the preferred embodiment is a top view thereof;
 FIG. 6 of the preferred embodiment is a front view thereof;
 and,
 FIG. 7 of the preferred embodiment is a back view thereof.

1 Claim, 3 Drawing Sheets



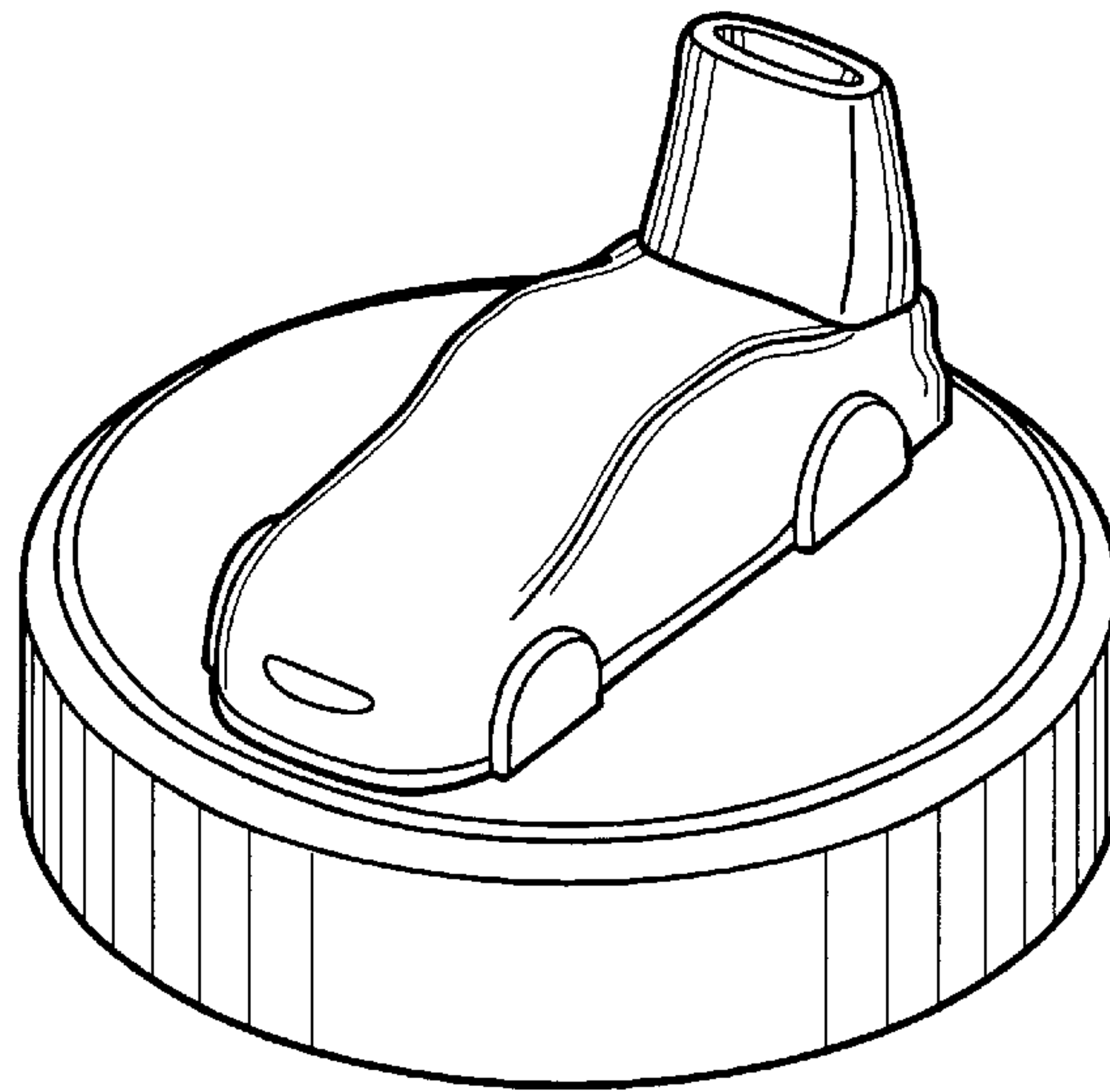


FIG. 1

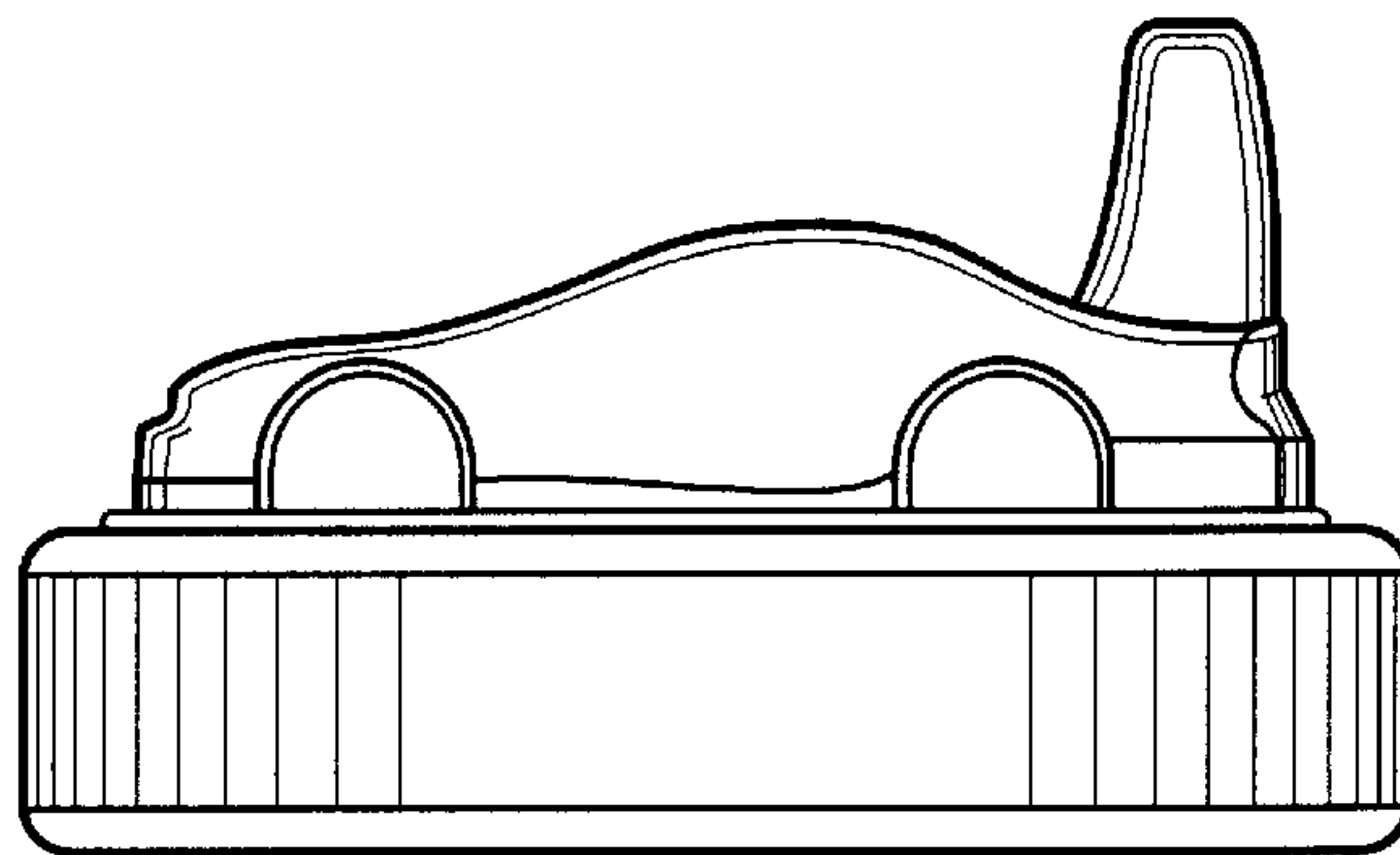


FIG. 2

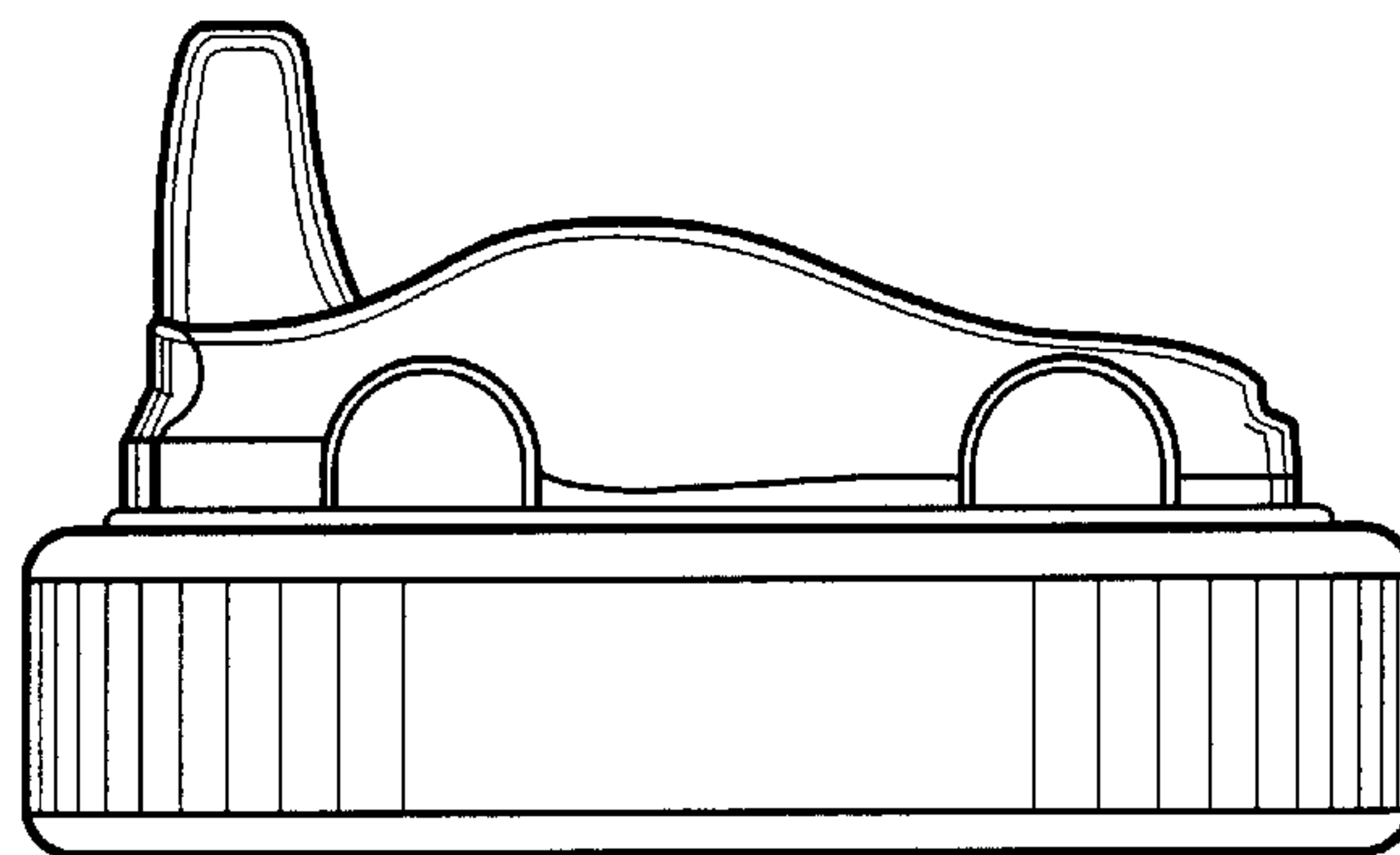


FIG. 3

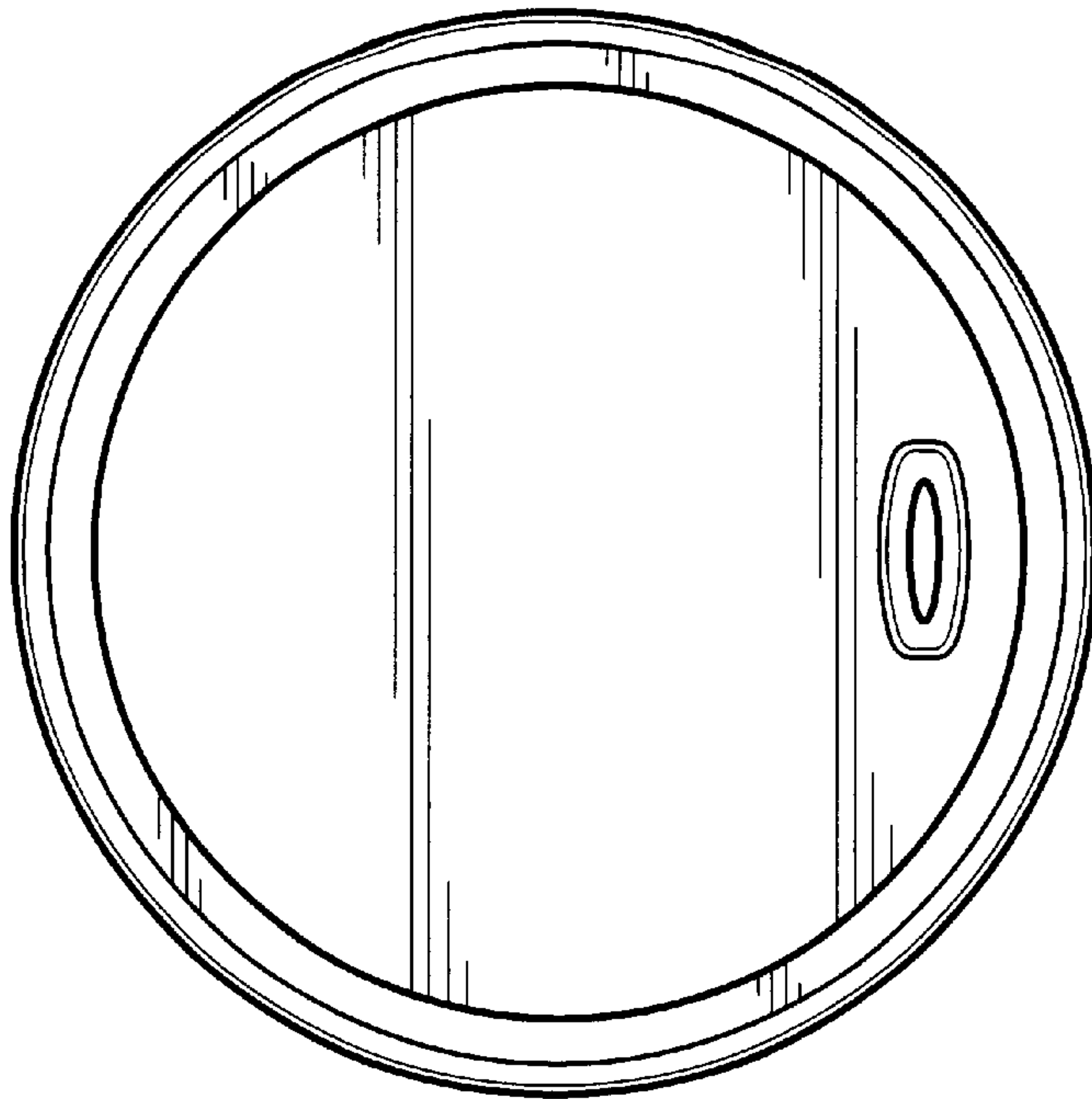


FIG. 4

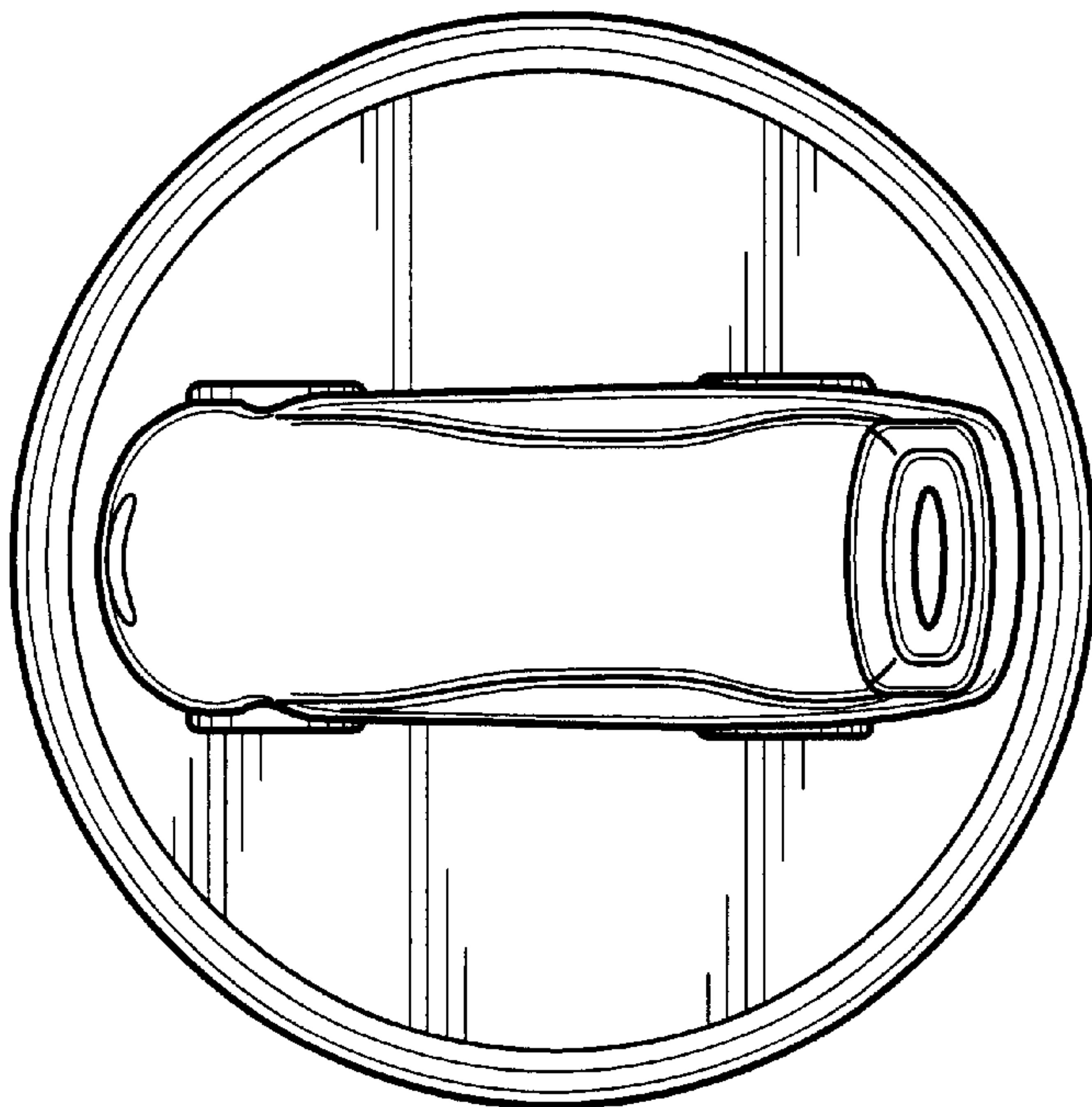


FIG. 5

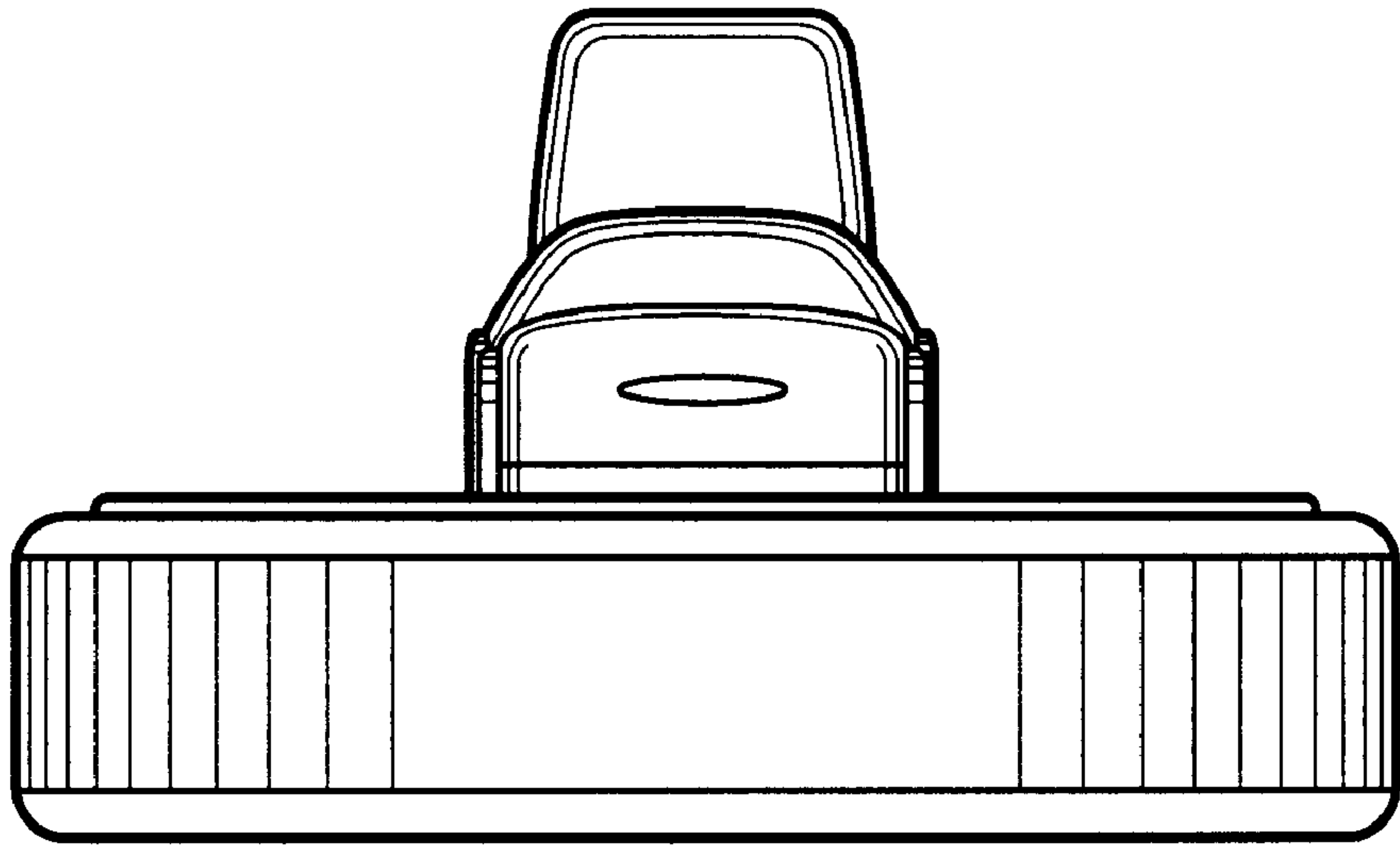


Fig. 6

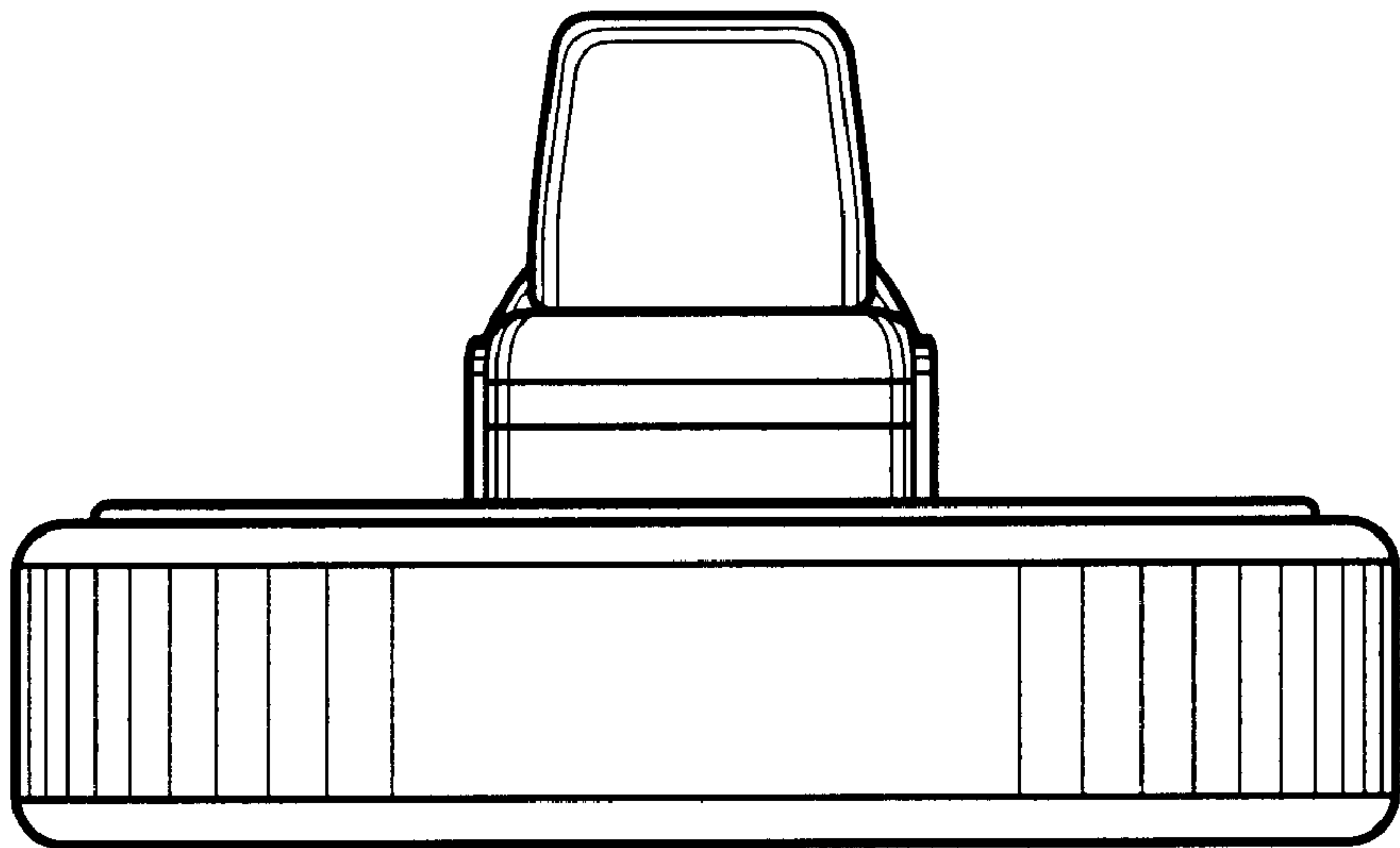


Fig. 7