



US00D473418S

(12) **United States Design Patent**
Burton et al.

(10) **Patent No.:** **US D473,418 S**

(45) **Date of Patent:** **** Apr. 22, 2003**

(54) **POT RIM**

(75) Inventors: **Maximillian Philip Burton**, New York, NY (US); **Philipp Refior**, Brooklyn, NY (US)

(73) Assignee: **World Kitchen, Inc.**, Elmira, NY (US)

(**) Term: **14 Years**

5,622,274 A	4/1997	Bright
5,653,881 A	8/1997	Bruss et al.
5,724,885 A	3/1998	Uy
RE36,072 E	2/1999	Uy
6,006,939 A	12/1999	Wai
6,244,251 B1	6/2001	Wada et al.
6,289,795 B1	9/2001	McLemore et al.
6,298,681 B1	10/2001	Esty et al.
6,307,193 B1	10/2001	Toole

OTHER PUBLICATIONS

Vented Casserole 2.5 9t by Norpro-Krona, Website, www.goldaskichen.com, 2 pp. Vented Casserole by Krona, Website, www.thekitchennook.com, 1 page.

* cited by examiner

Primary Examiner—Caron D. Veynar

(74) *Attorney, Agent, or Firm*—Wolf, Greenfield & Sacks, P.C.

(21) Appl. No.: **29/150,746**

(22) Filed: **Nov. 28, 2001**

(51) **LOC (7) Cl.** **07-02**

(52) **U.S. Cl.** **D7/354**

(58) **Field of Search** D7/323, 354-361; 220/573.1-573.5, 912, DIG. 13; 222/572

(56) **References Cited**

U.S. PATENT DOCUMENTS

2,241,064 A	5/1941	Harbison	
2,867,352 A	1/1959	Kawano	
3,598,105 A	8/1971	Cristaldi	
3,736,917 A	6/1973	Stepanek	
3,797,694 A	3/1974	See et al.	
3,937,359 A	2/1976	Stockton, Jr.	
4,285,441 A	8/1981	Ziskind	
4,390,113 A	6/1983	Bird	
4,670,398 A	6/1987	Song	
4,736,867 A	4/1988	Feimer et al.	
4,917,262 A	4/1990	Mita	
5,065,889 A	11/1991	Conti	
D328,996 S	* 9/1992	Gerlach D7/361
D332,549 S	* 1/1993	Gerlach D7/360
5,201,264 A	4/1993	Thelen et al.	
5,265,749 A	11/1993	Zutler	
5,387,781 A	2/1995	Berkoff	
5,388,732 A	* 2/1995	Greger 222/572

(57) **CLAIM**

The ornamental design for a pot rim, as shown and described.

DESCRIPTION

FIG. 1 is a side, top, perspective view of the pot rim showing our new design;

FIG. 2 is a top view thereof;

FIG. 3 is a bottom view thereof;

FIG. 4 is a left side view thereof;

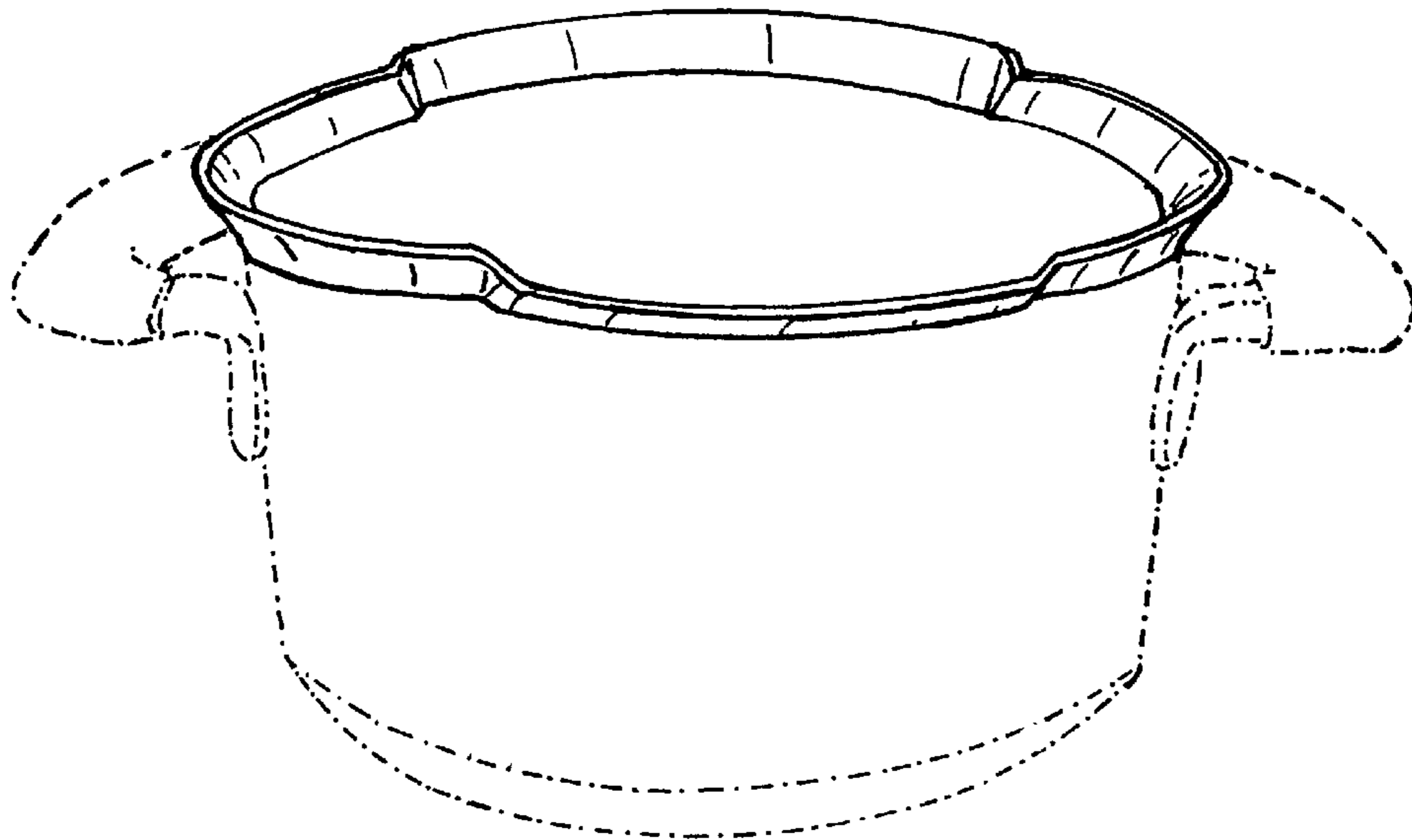
FIG. 5 is a right side view thereof;

FIG. 6 is a front view thereof; and,

FIG. 7 is a rear view thereof.

The broken lines showing a container and a handle in FIGS. 1-7 are for illustrative purposes only and form no part of the claimed design.

1 Claim, 5 Drawing Sheets



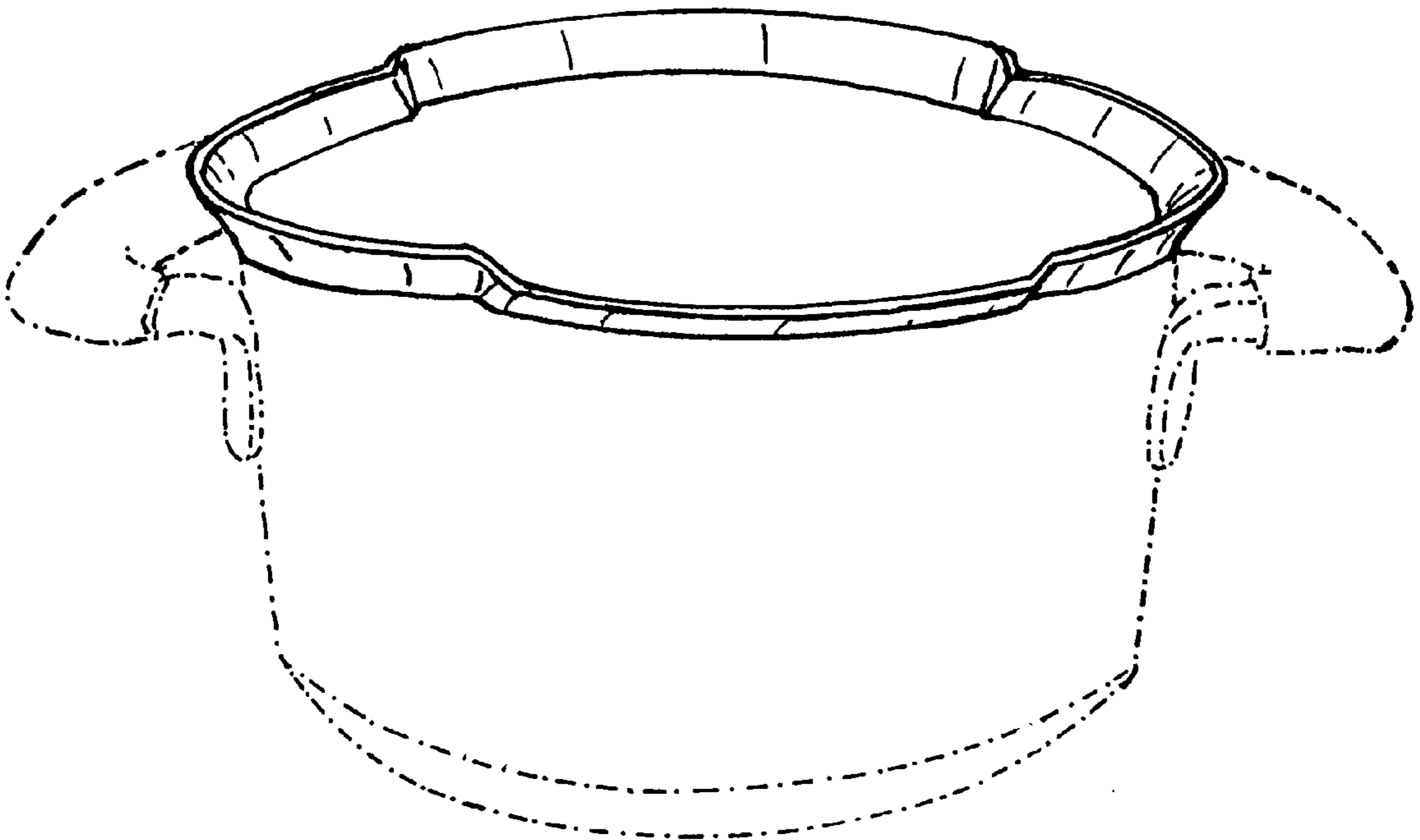


Fig. 1

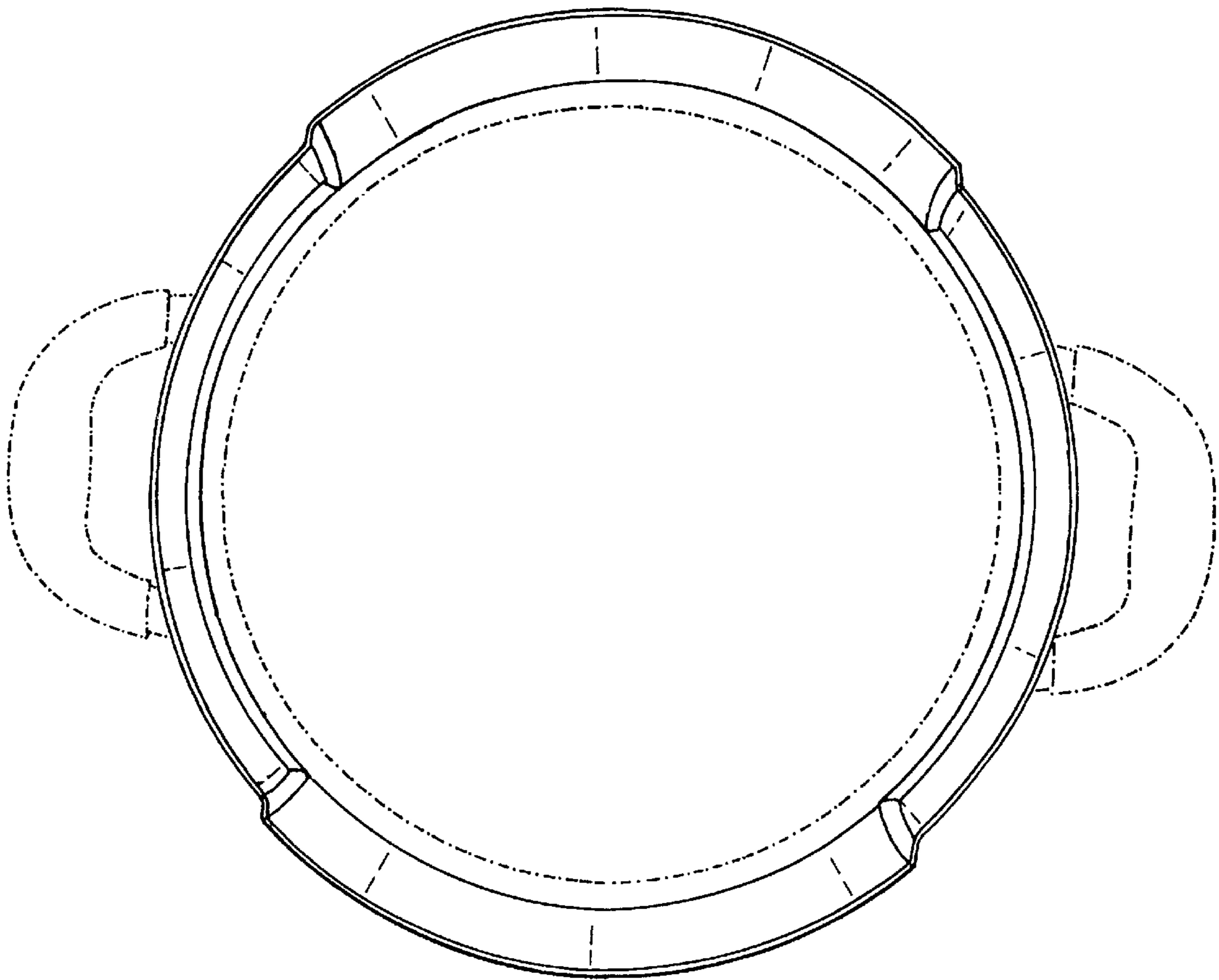


Fig. 2

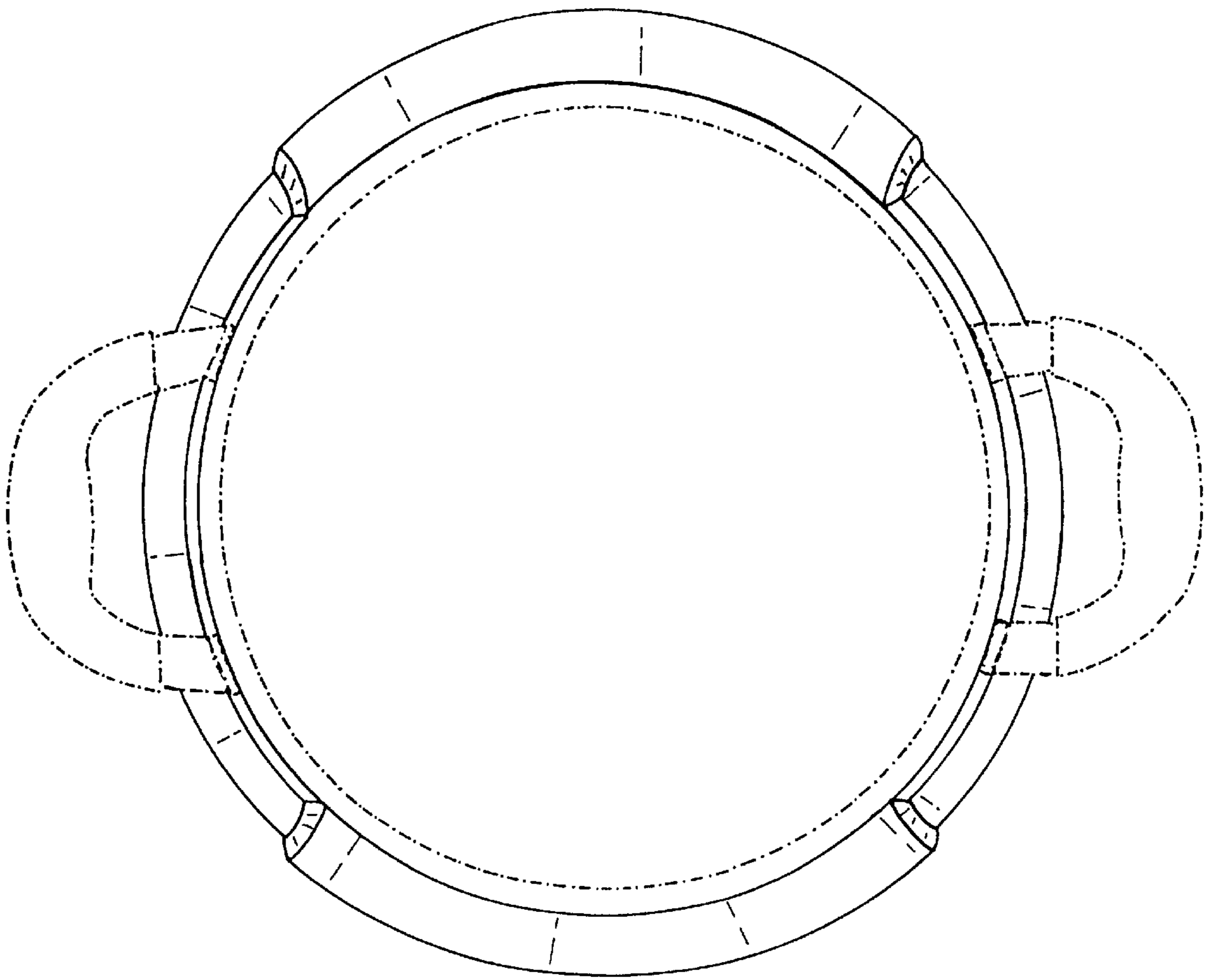


Fig. 3

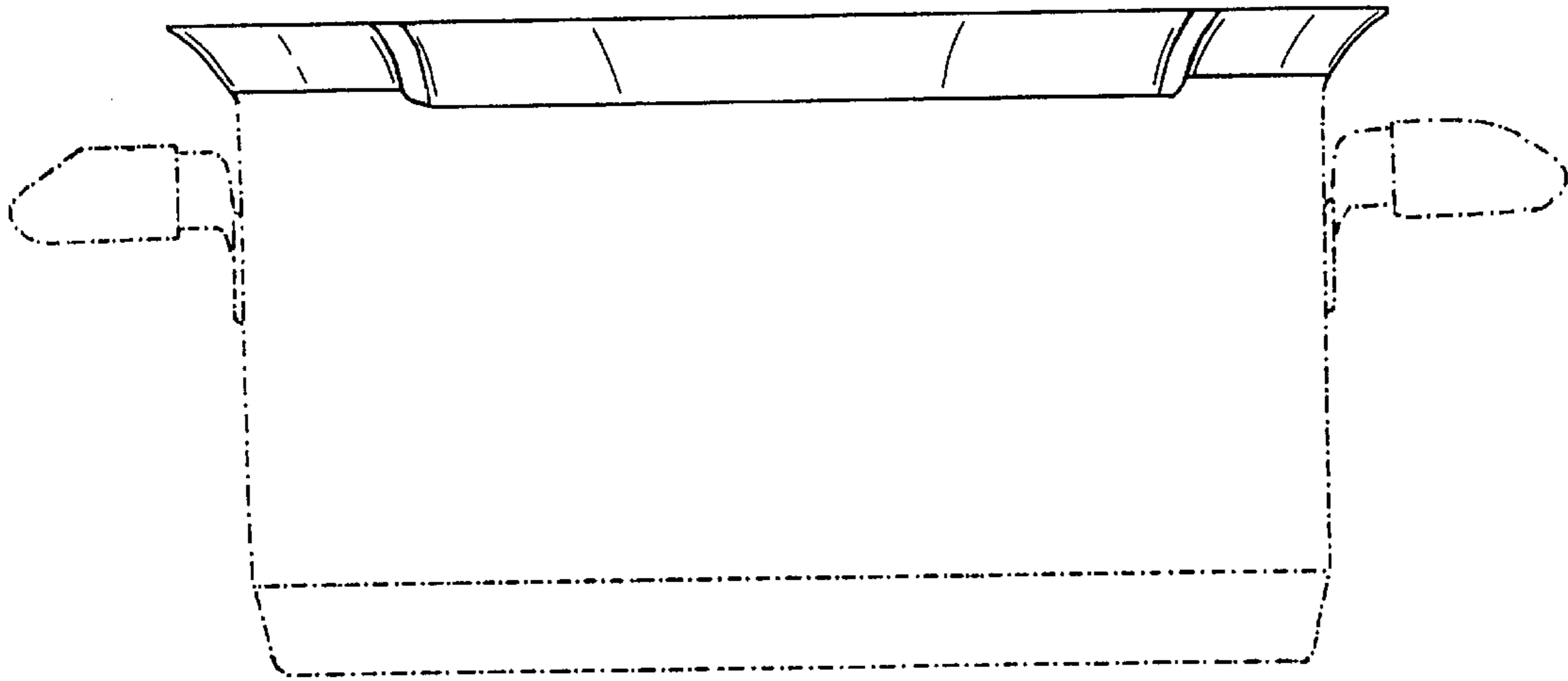


Fig. 4

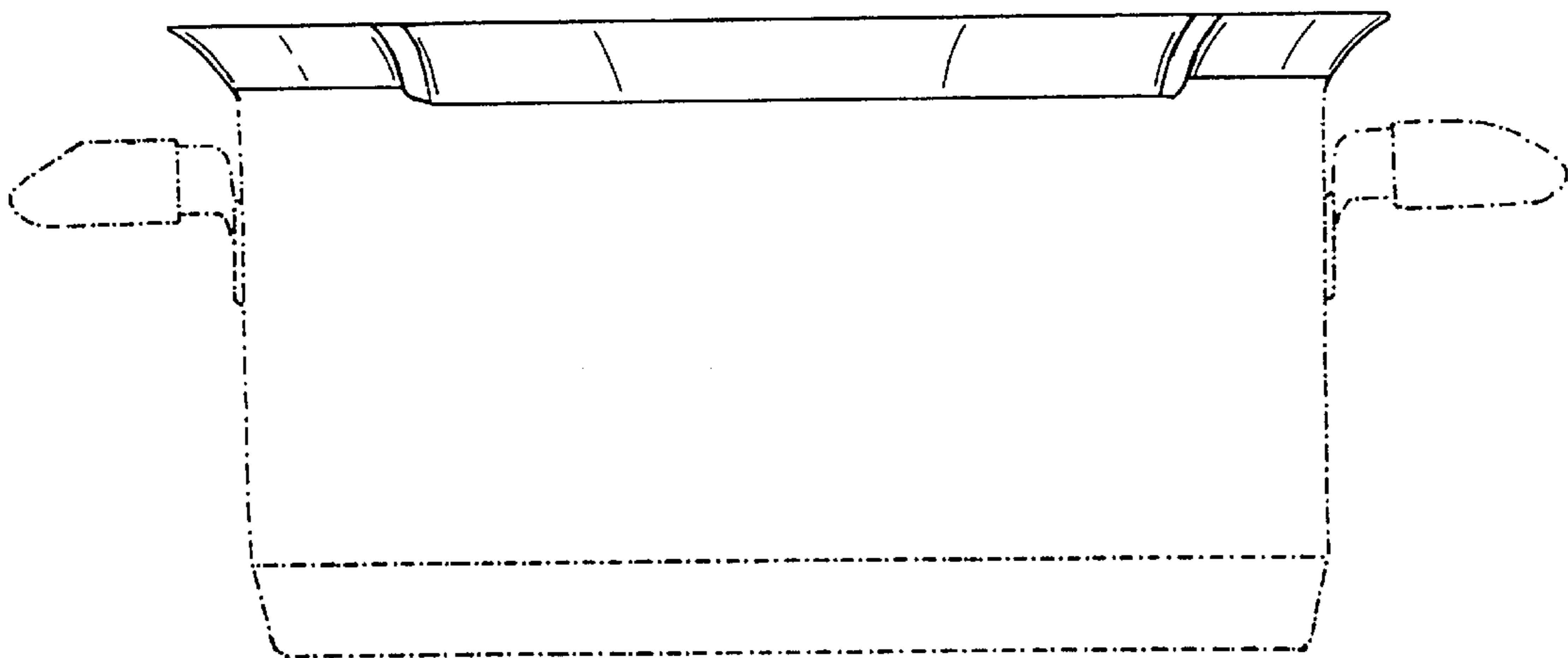


Fig. 5

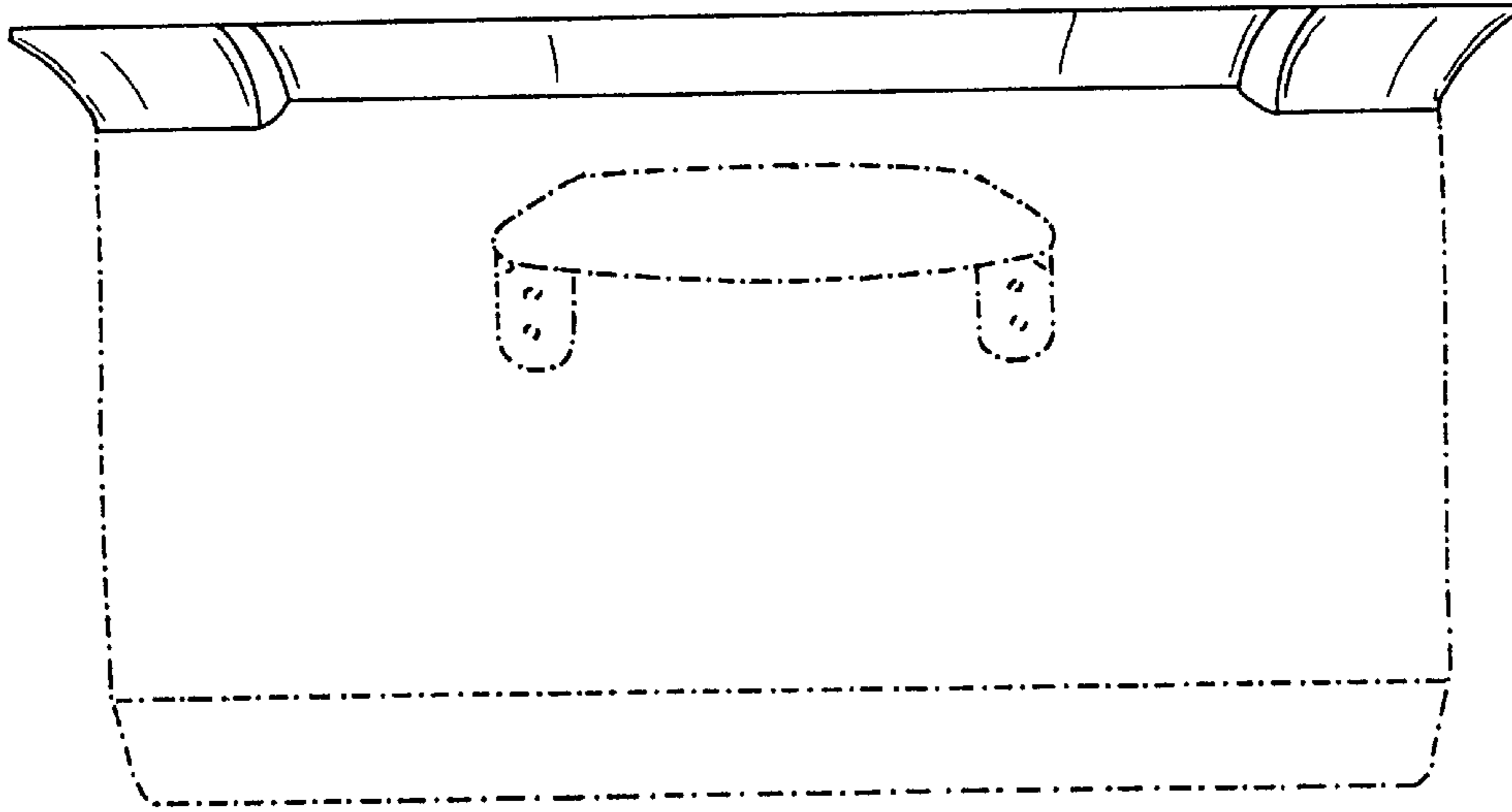


Fig. 6

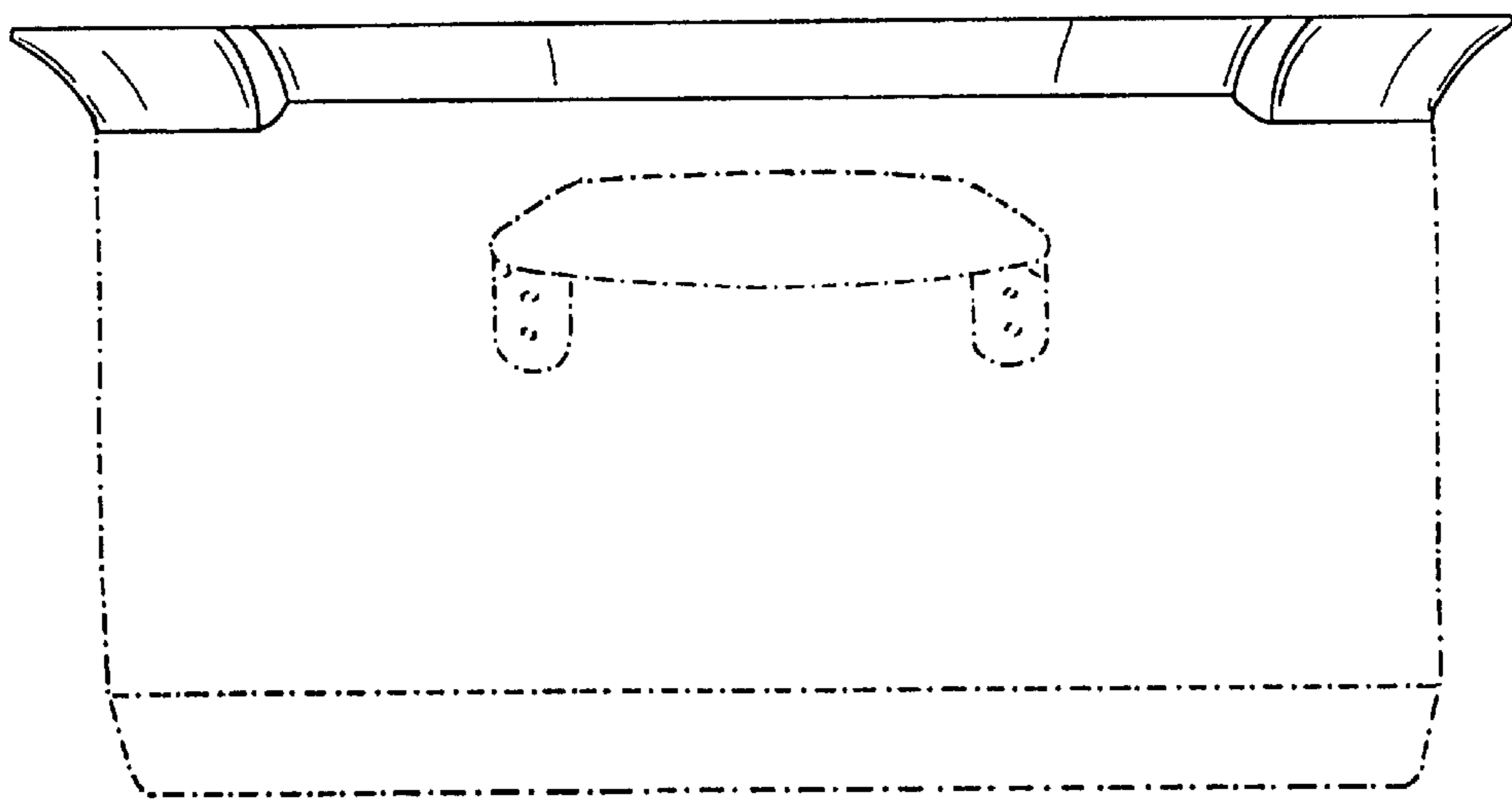


Fig. 7