



US00D473415S

(12) **United States Design Patent**
Yeh

(10) **Patent No.:** **US D473,415 S**

(45) **Date of Patent:** **** Apr. 22, 2003**

(54) **CHARCOAL GRILL**

(75) Inventor: **Yuan-Hung Yeh**, Taipei Hsien (TW)

(73) Assignee: **Hens Specialty Co., Ltd.**, Taipei Hsien (TW)

(**) Term: **14 Years**

(21) Appl. No.: **29/163,419**

(22) Filed: **Jul. 5, 2002**

(51) **LOC (7) Cl.** **07-02**

(52) **U.S. Cl.** **D7/337**

(58) **Field of Search** D7/332, 334, 335,
D7/336, 337, 402-404; 126/25 R, 25 A,
25 AA, 41 R, 29-30, 9 R, 38; 99/419 R

(56) **References Cited**

U.S. PATENT DOCUMENTS

D231,070 S	*	4/1974	Koziol	D7/332
D282,619 S	*	2/1986	Fitzgerald et al.	D7/332
D301,106 S	*	5/1989	Oliphant	D7/332
D302,641 S	*	8/1989	Elmburg	D7/332

D415,649 S	*	10/1999	Pai	D7/337
D455,598 S	*	4/2002	Pai	D7/337
D461,360 S	*	8/2002	Bossler	D7/337
D464,227 S	*	10/2002	Eisinger et al.	D7/332
D464,228 S	*	10/2002	Hsu	D7/337
D464,844 S	*	10/2002	Pai	D7/337

* cited by examiner

Primary Examiner—Ruth McInroy

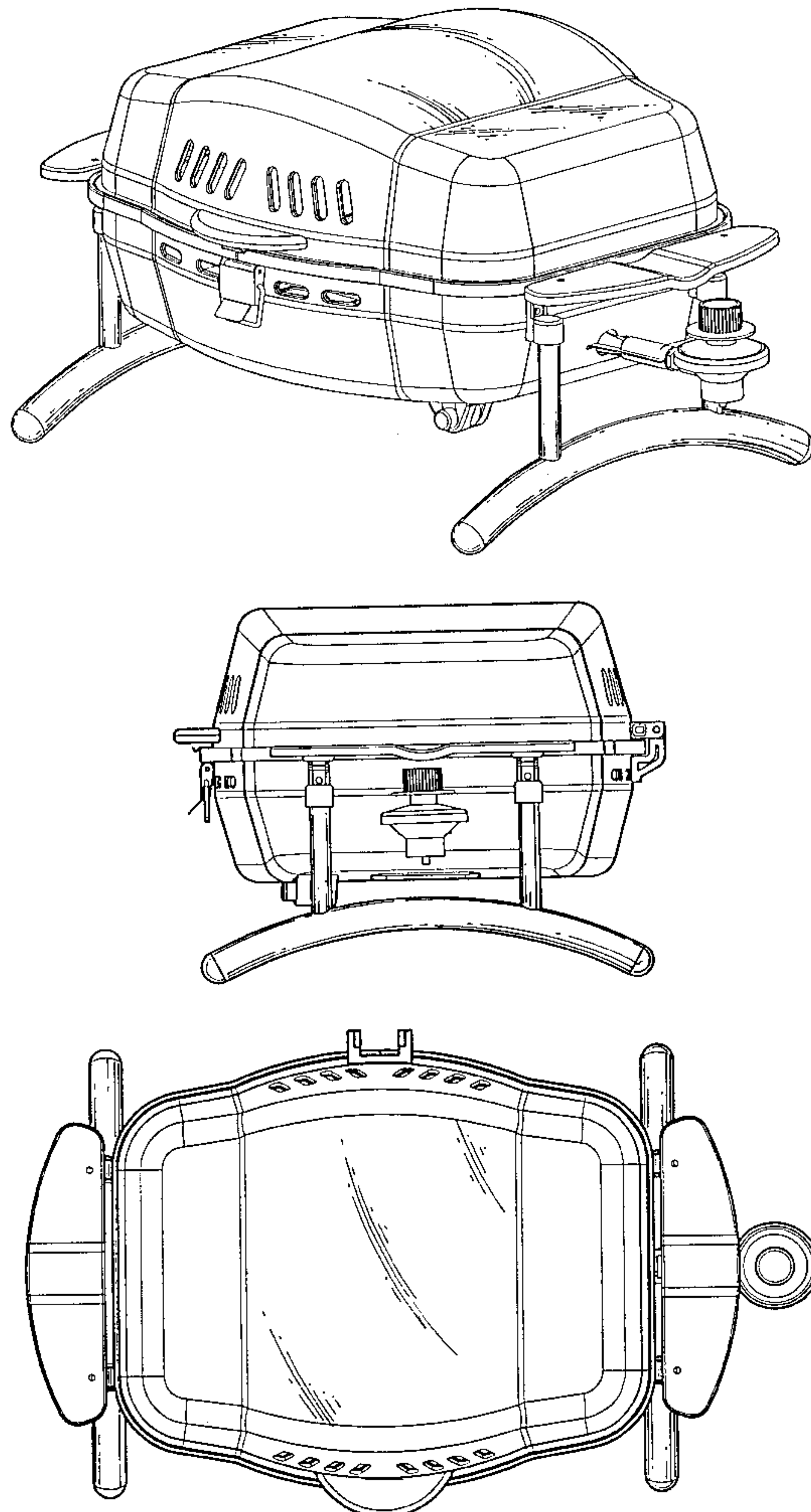
(57) **CLAIM**

The ornamental design for a charcoal grill, as shown and described.

DESCRIPTION

FIG. 1 is a perspective view of a charcoal grill showing my new design;
FIG. 2 is a front view thereof;
FIG. 3 is a back view thereof;
FIG. 4 is a left side view thereof;
FIG. 5 is a right side view thereof;
FIG. 6 is a top view thereof; and,
FIG. 7 is a bottom view thereof.

1 Claim, 7 Drawing Sheets



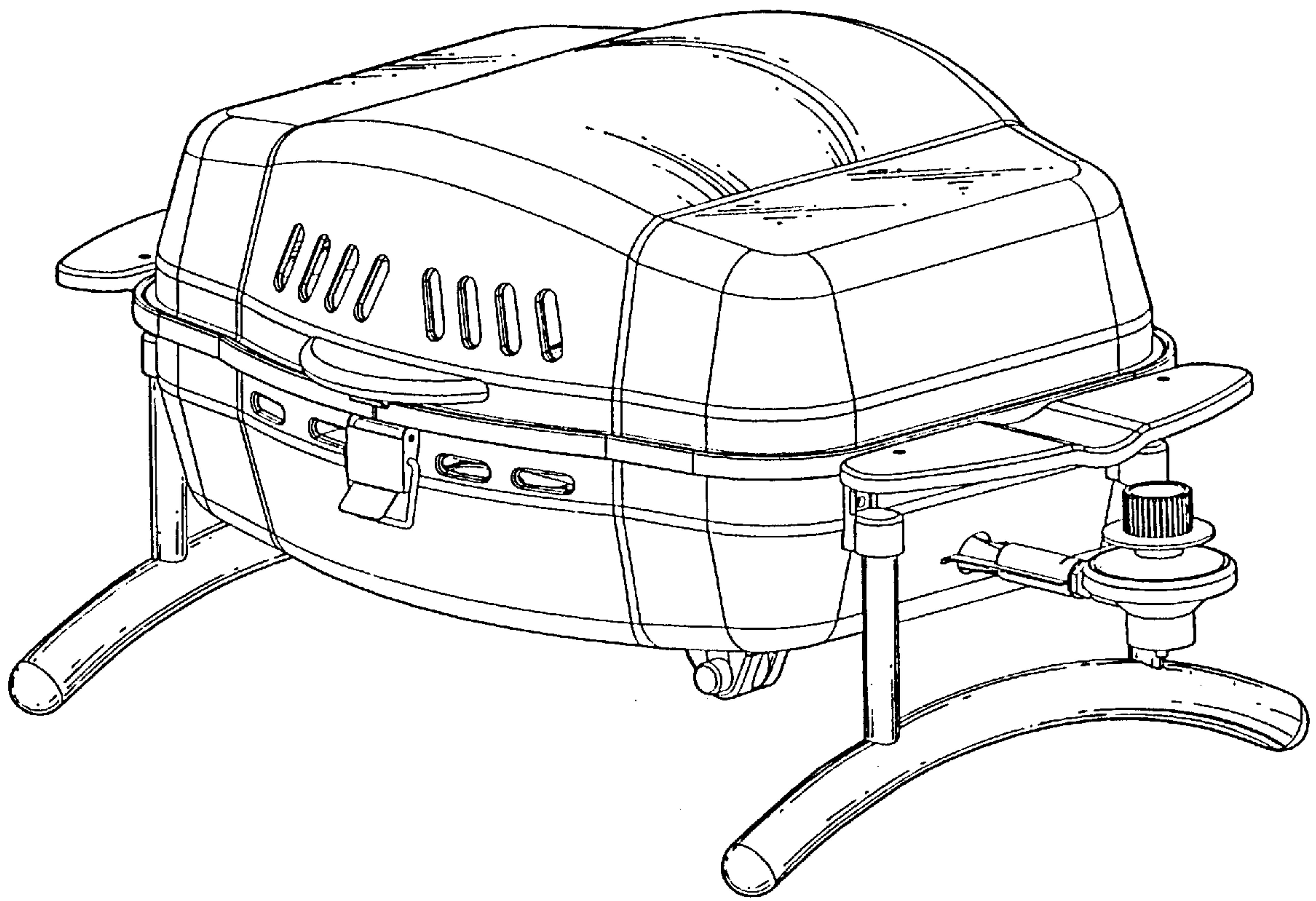


Fig.1

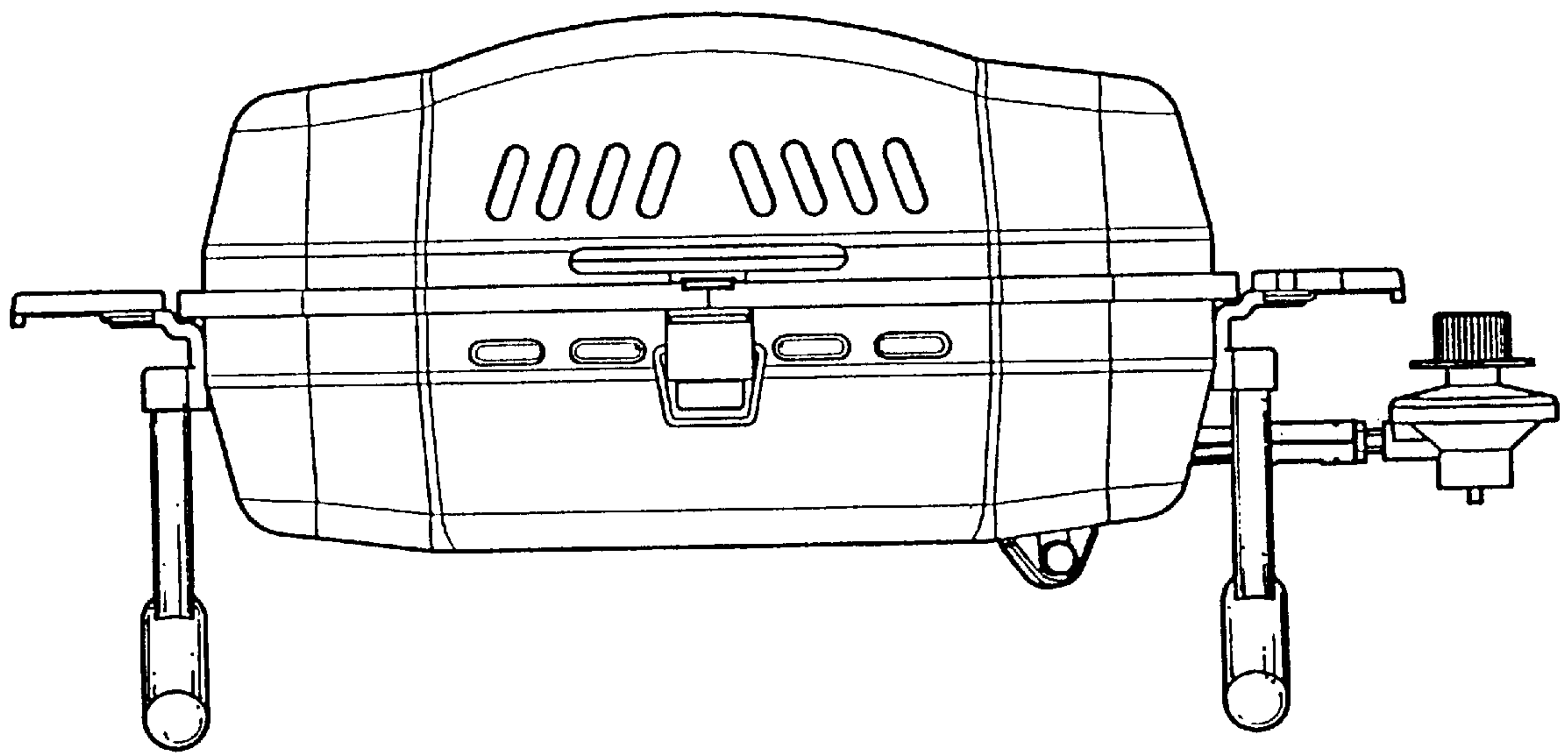


Fig.2

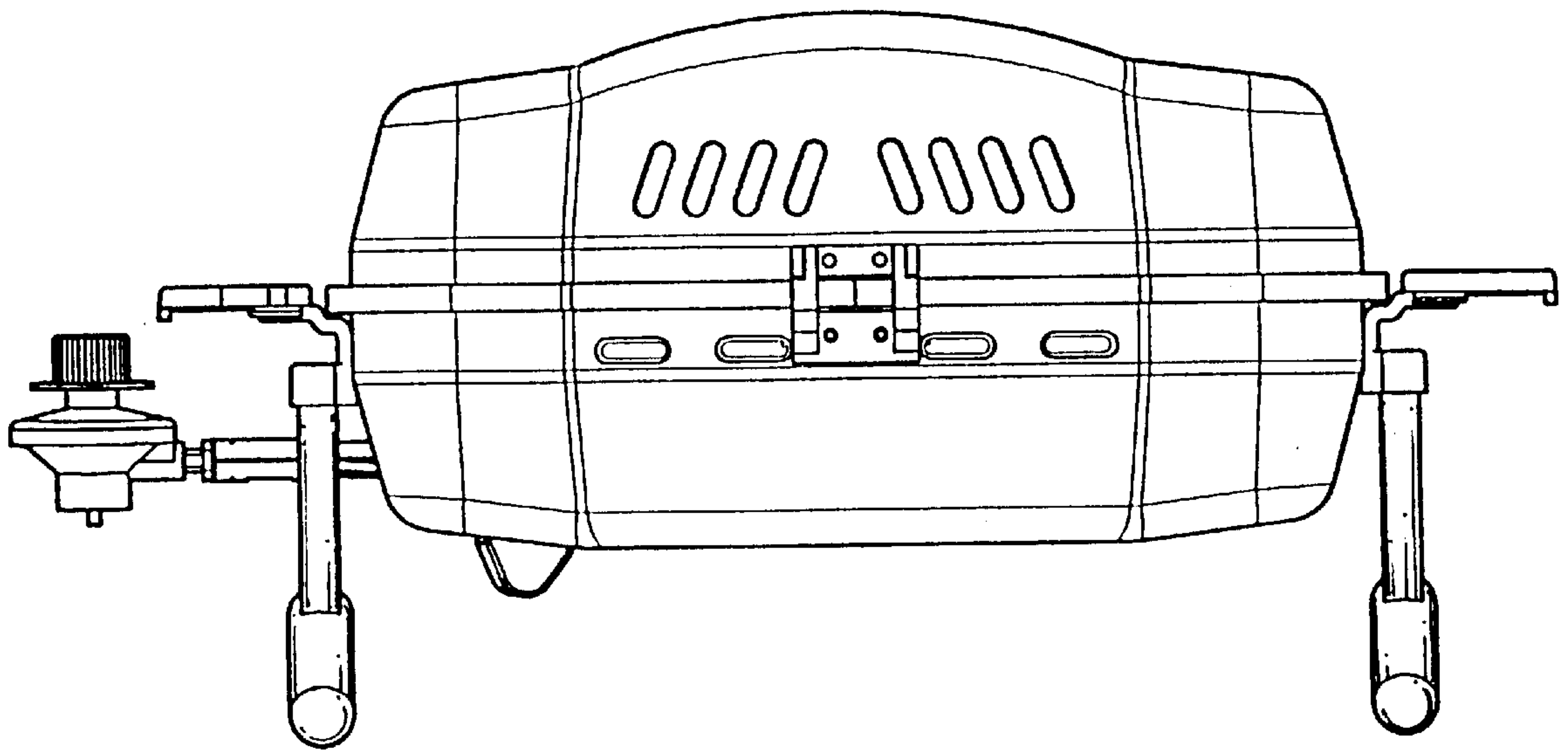


Fig.3

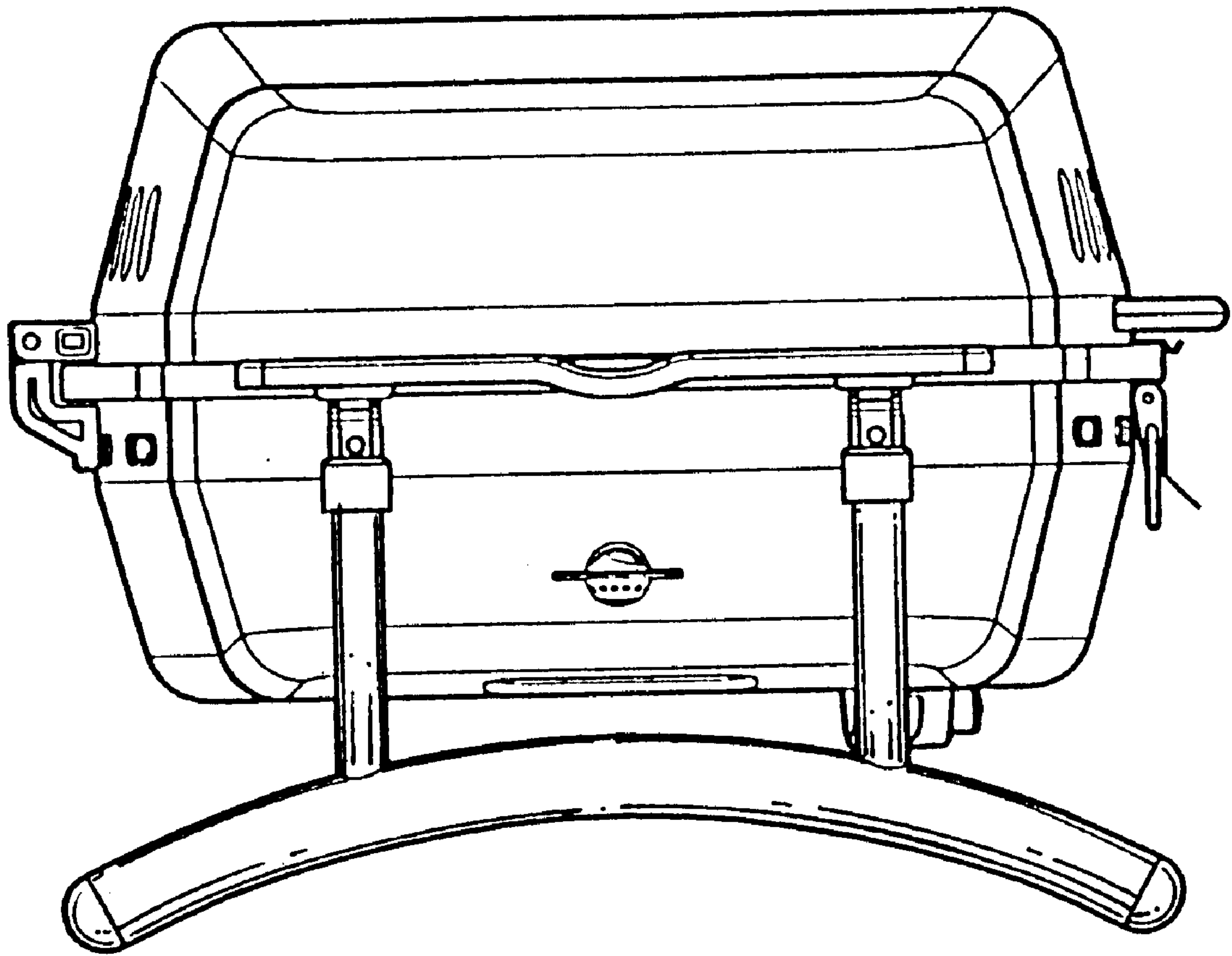


Fig.4

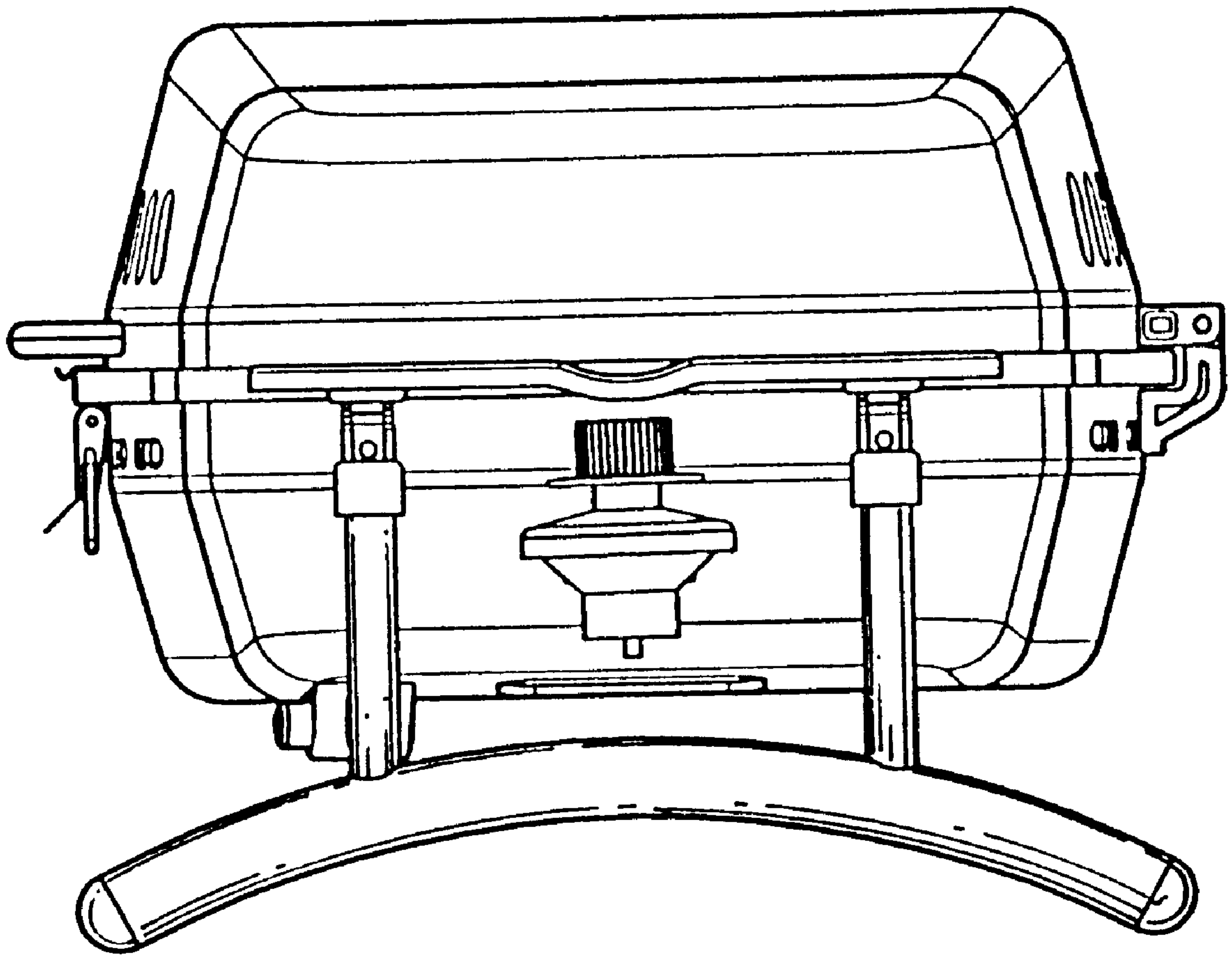


Fig.5

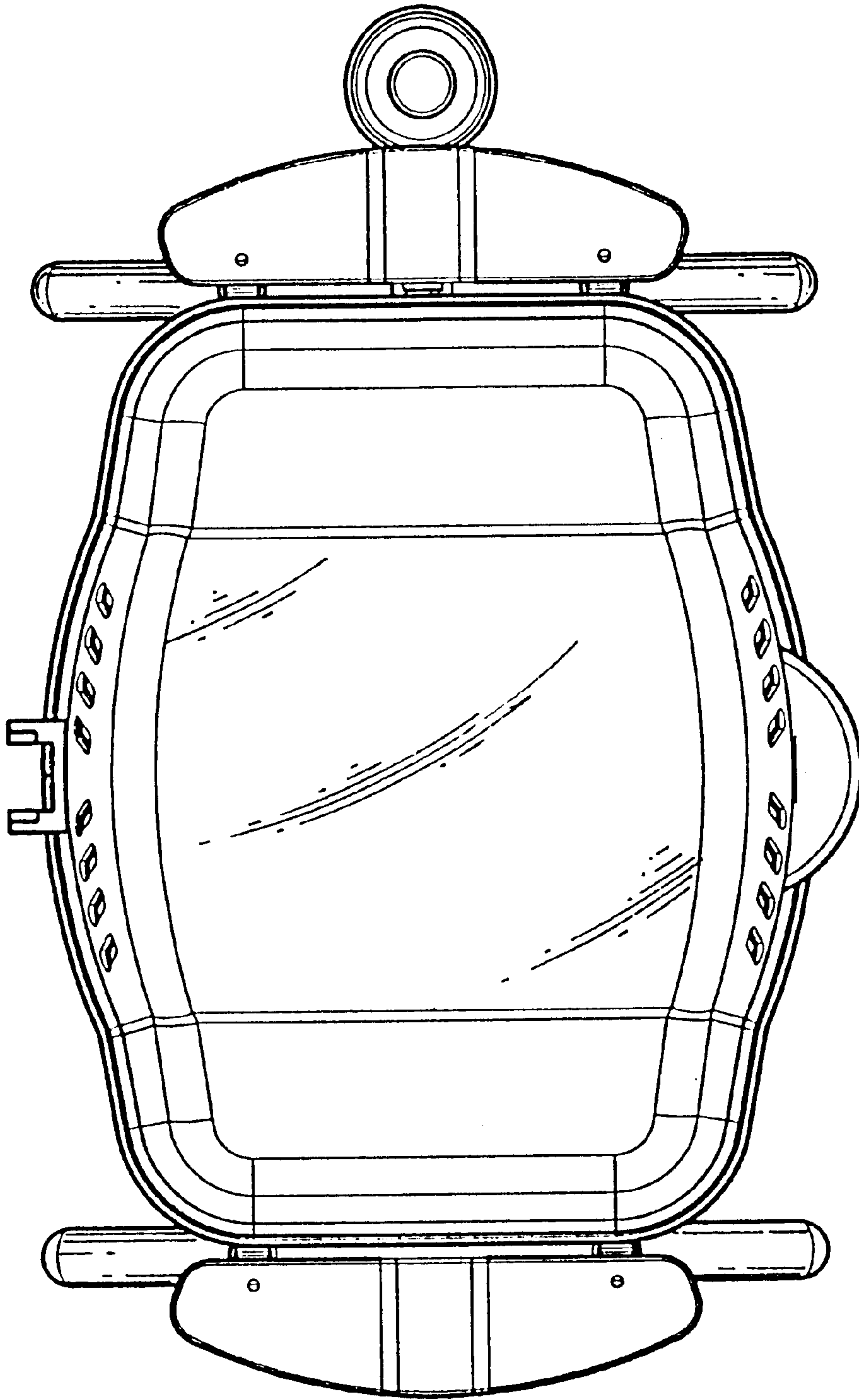


Fig. 6

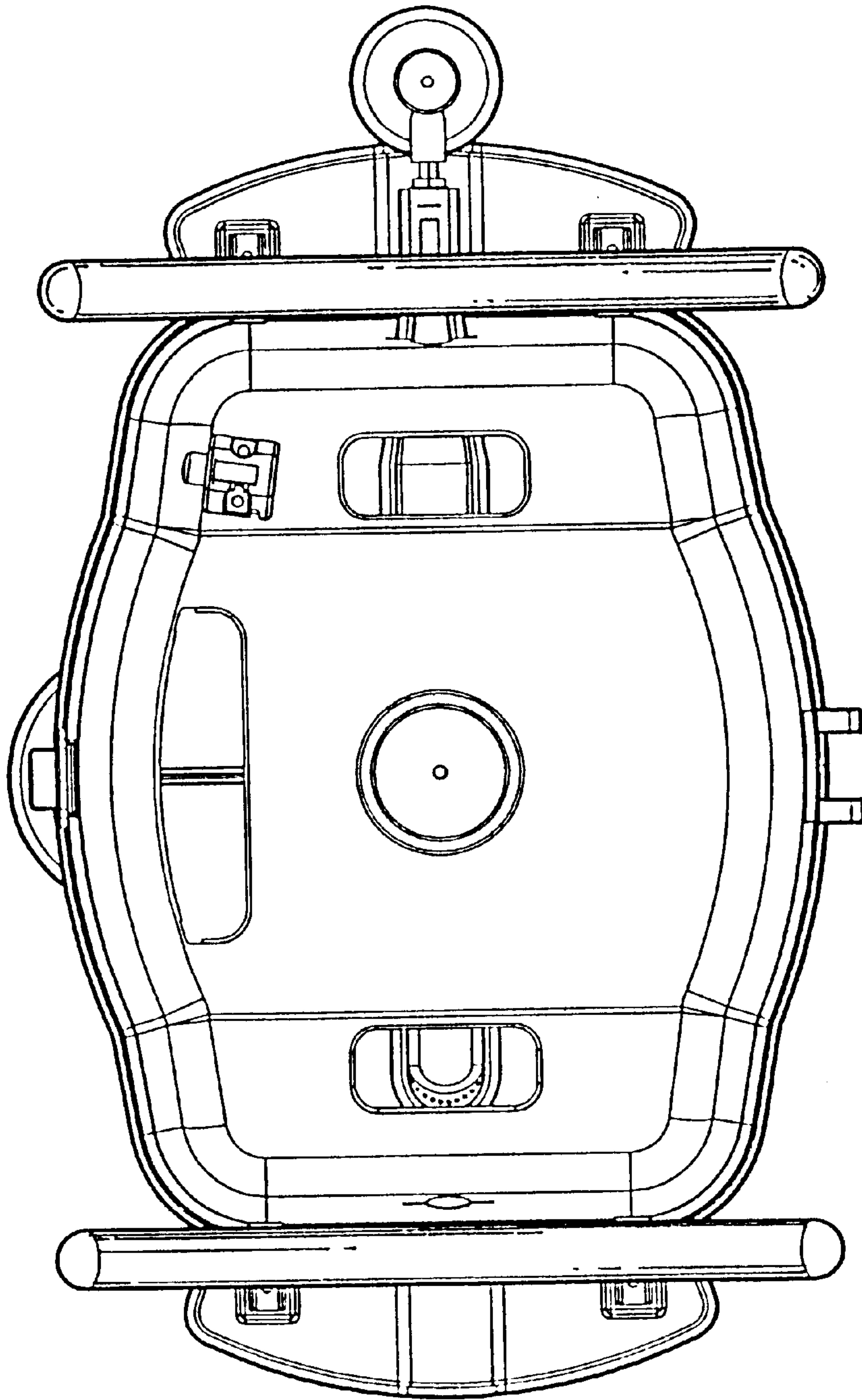


Fig. 7