



US00D473414S

(12) **United States Design Patent**
Neal et al.

(10) **Patent No.:** **US D473,414 S**

(45) **Date of Patent:** **** Apr. 22, 2003**

(54) **SMOKE PIT FOR A BARBECUE GRILL**

(75) Inventors: **Ryan Neal**, Midland, GA (US);
Andrew Kahler, Fortson, GA (US);
Scott Dobias, Columbus, GA (US);
Kenneth Jordan, Columbus, GA (US)

(73) Assignee: **W. C. Bradley Company**, Columbus, GA (US)

(**) Term: **14 Years**

(21) Appl. No.: **29/165,244**

(22) Filed: **Aug. 6, 2002**

(51) **LOC (7) Cl.** **07-02**

(52) **U.S. Cl.** **D7/332**

(58) **Field of Search** D7/332, 334, 335,
D7/336, 337, 402-404, 354, 358, 360;
126/25 R, 25 A, 25 AA, 41 R, 29-30, 9 R,
38, 27; 99/419 R, 481

(56) **References Cited**

U.S. PATENT DOCUMENTS

2,221,098 A * 11/1940 Langsam 126/25 R
D175,253 S * 8/1955 Greenblat D7/337
D182,266 S * 3/1958 Alexander D7/337
D185,280 S * 5/1959 Greenblat D7/337

D230,371 S * 2/1974 Philipe D7/337
D254,165 S * 2/1980 Woodward D7/337
D340,613 S * 10/1993 Kesling D7/337
D341,988 S * 12/1993 Endres D7/337
D375,347 S * 11/1996 Whalen et al. D23/317
D412,263 S * 7/1999 Jozancy D7/354
D427,839 S * 7/2000 Toyama D7/332

* cited by examiner

Primary Examiner—Ruth McInroy

(74) *Attorney, Agent, or Firm*—James W. Kayden; Thomas, Kayden, Horstemeyer & Risley, LLP

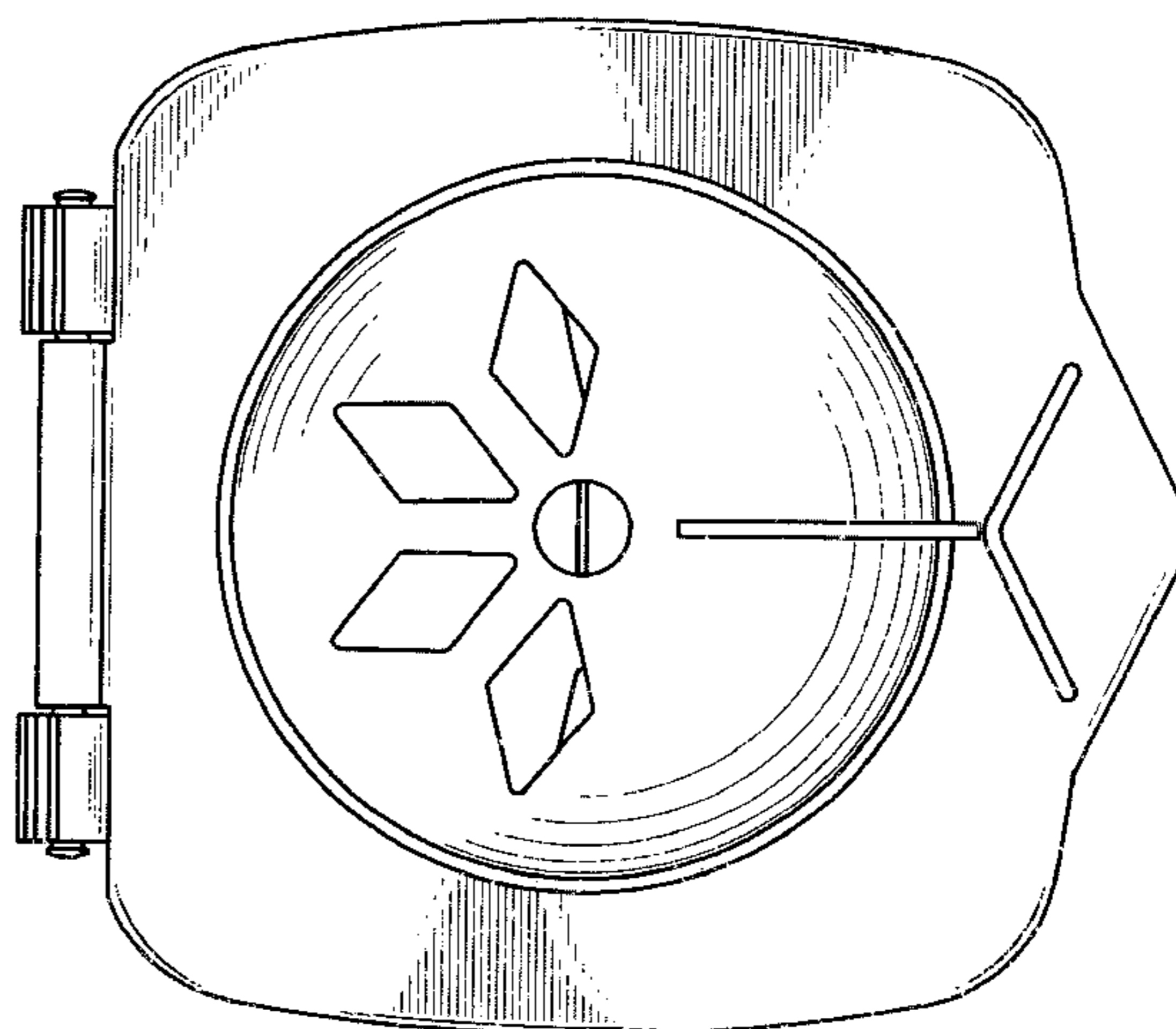
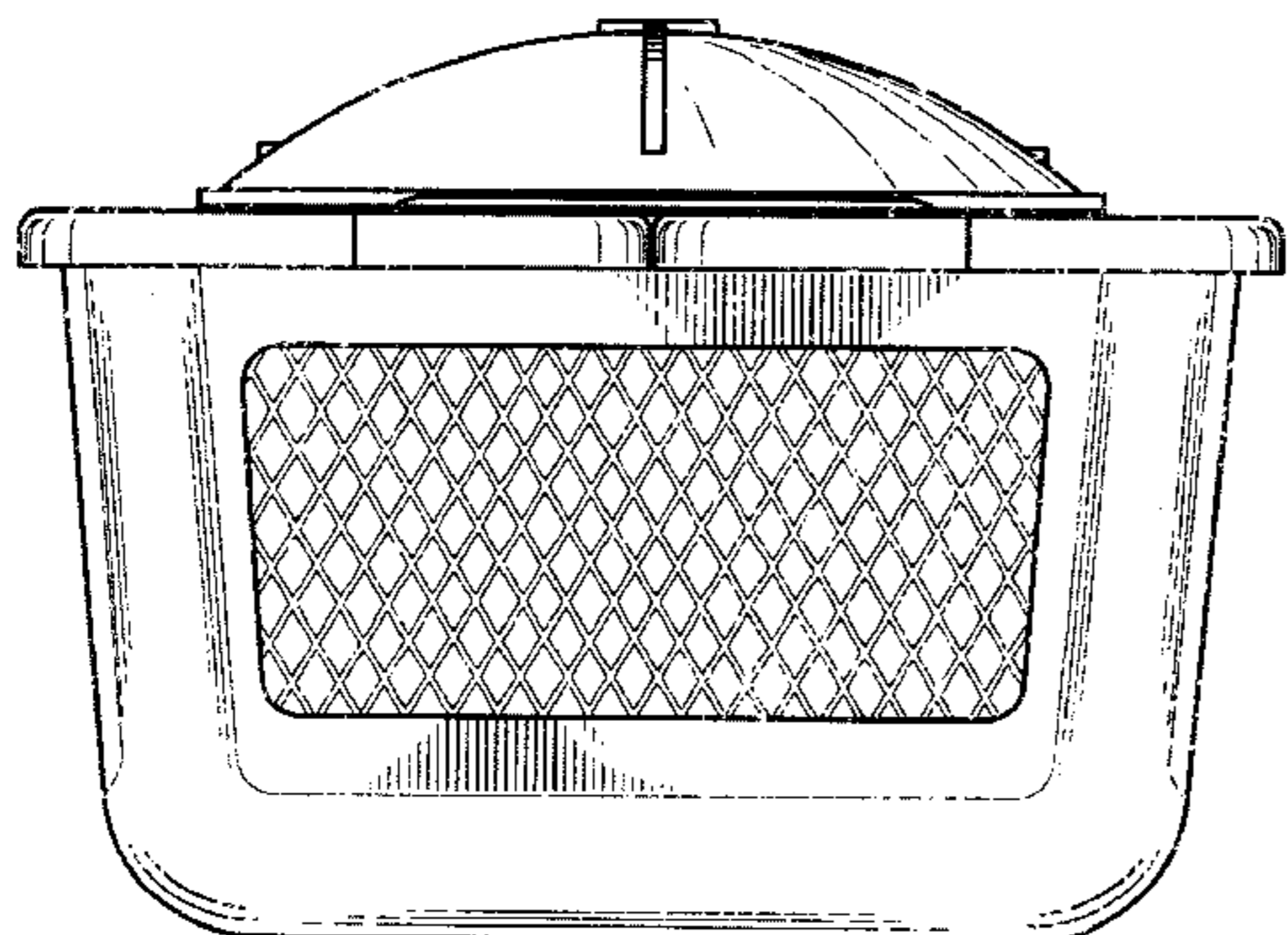
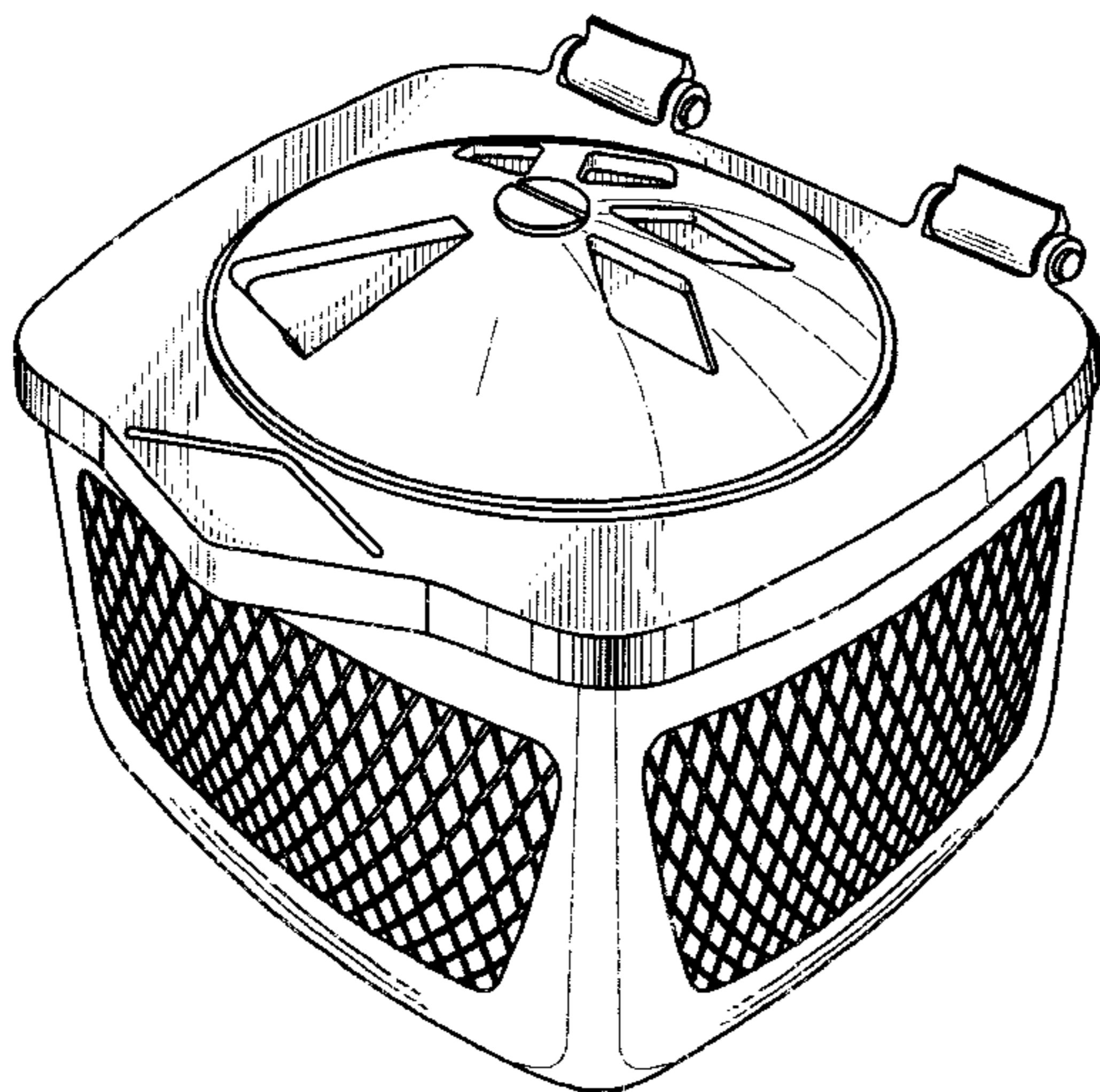
(57) **CLAIM**

The ornamental design of a smoke pit for a barbecue grill, as shown and described.

DESCRIPTION

FIG. 1 is a perspective view showing our new smoke pit for a barbecue grill;
FIG. 2 is a front elevational view thereof;
FIG. 3 is a left side elevational view thereof; the right side elevational view thereof being a mirror image of that which is shown;
FIG. 4 is a rear elevational view thereof;
FIG. 5 is a top plan view thereof; and,
FIG. 6 is a bottom plan view thereof.

1 Claim, 3 Drawing Sheets



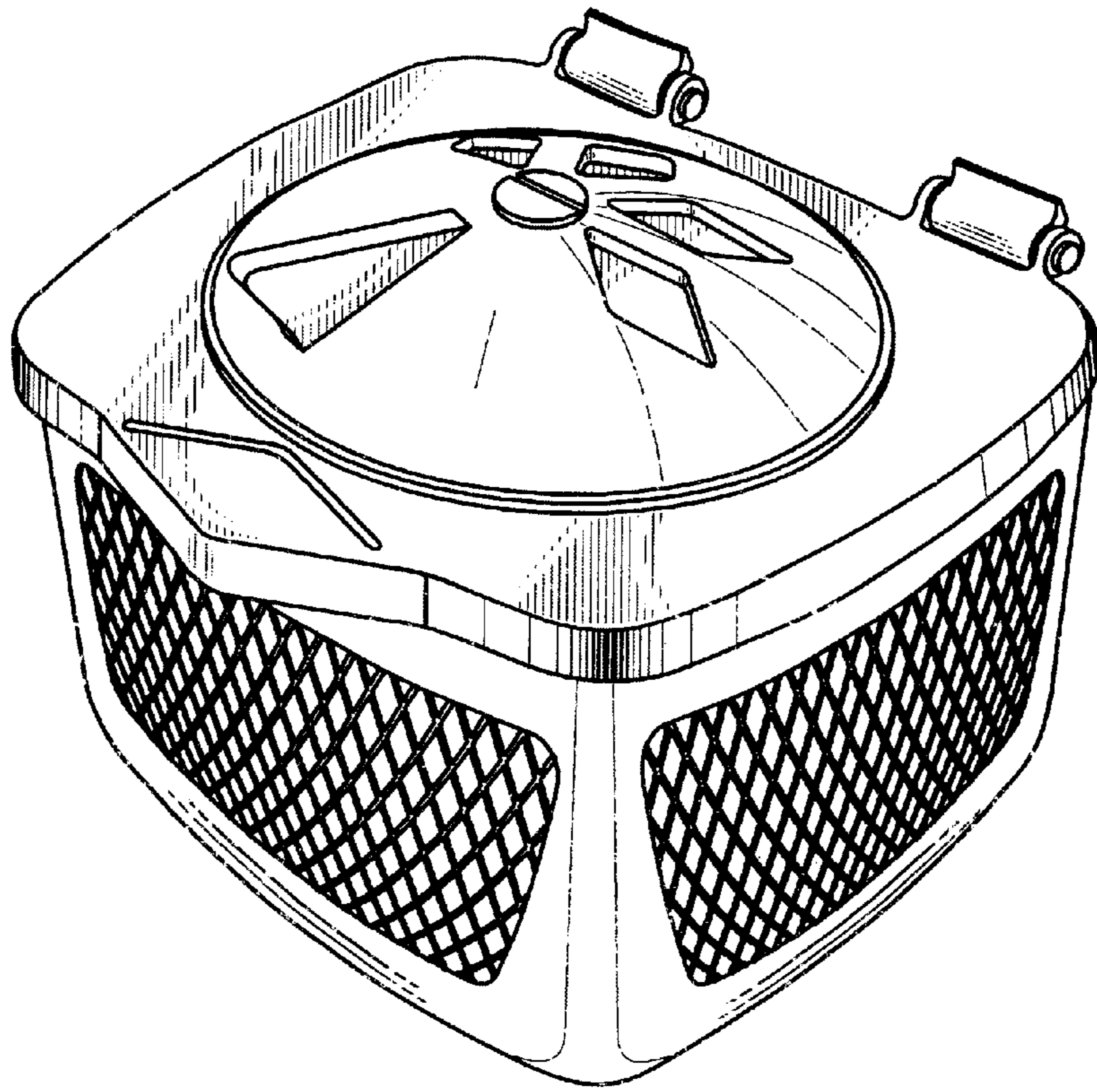


Fig. 1

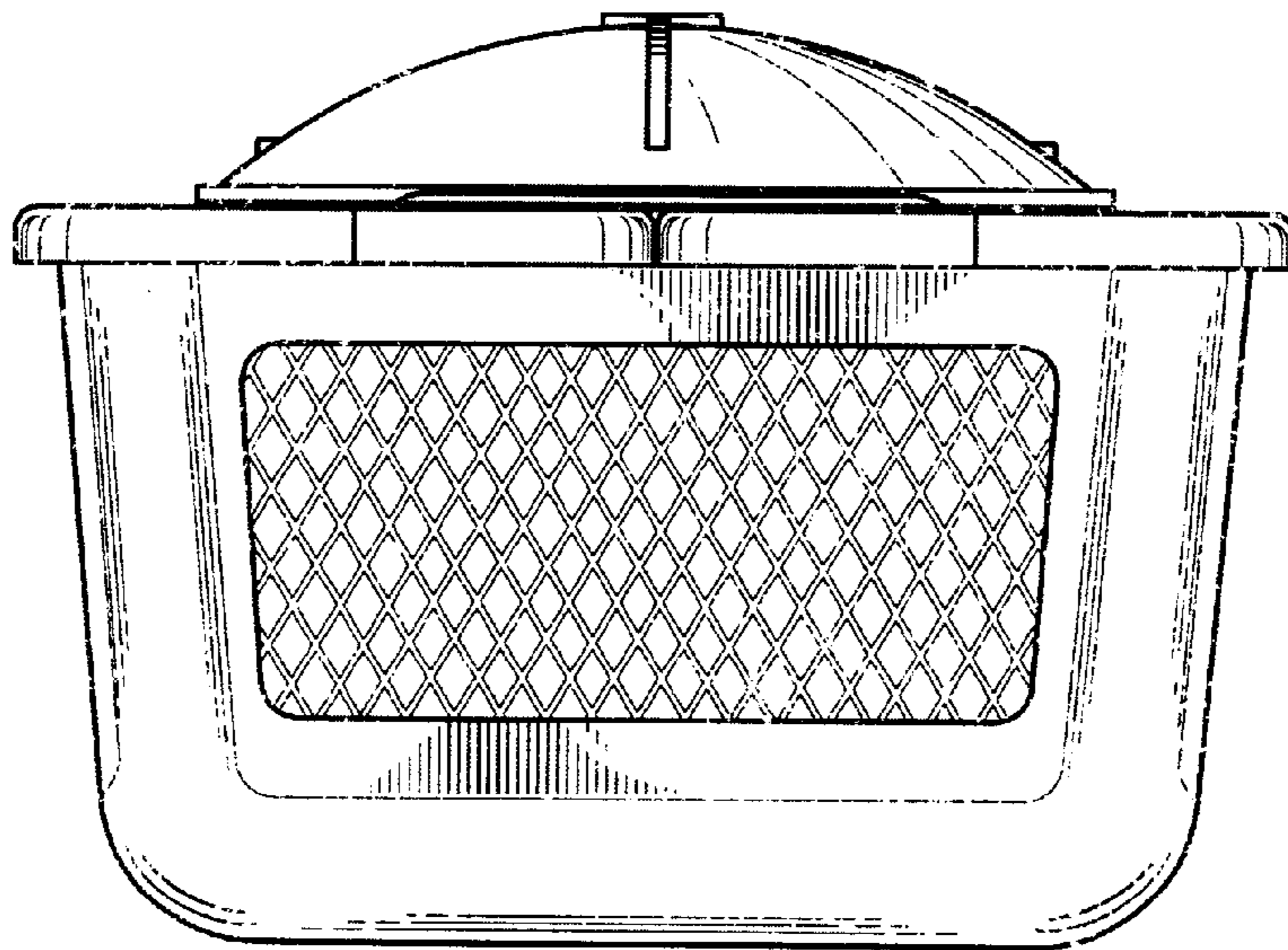


Fig. 2

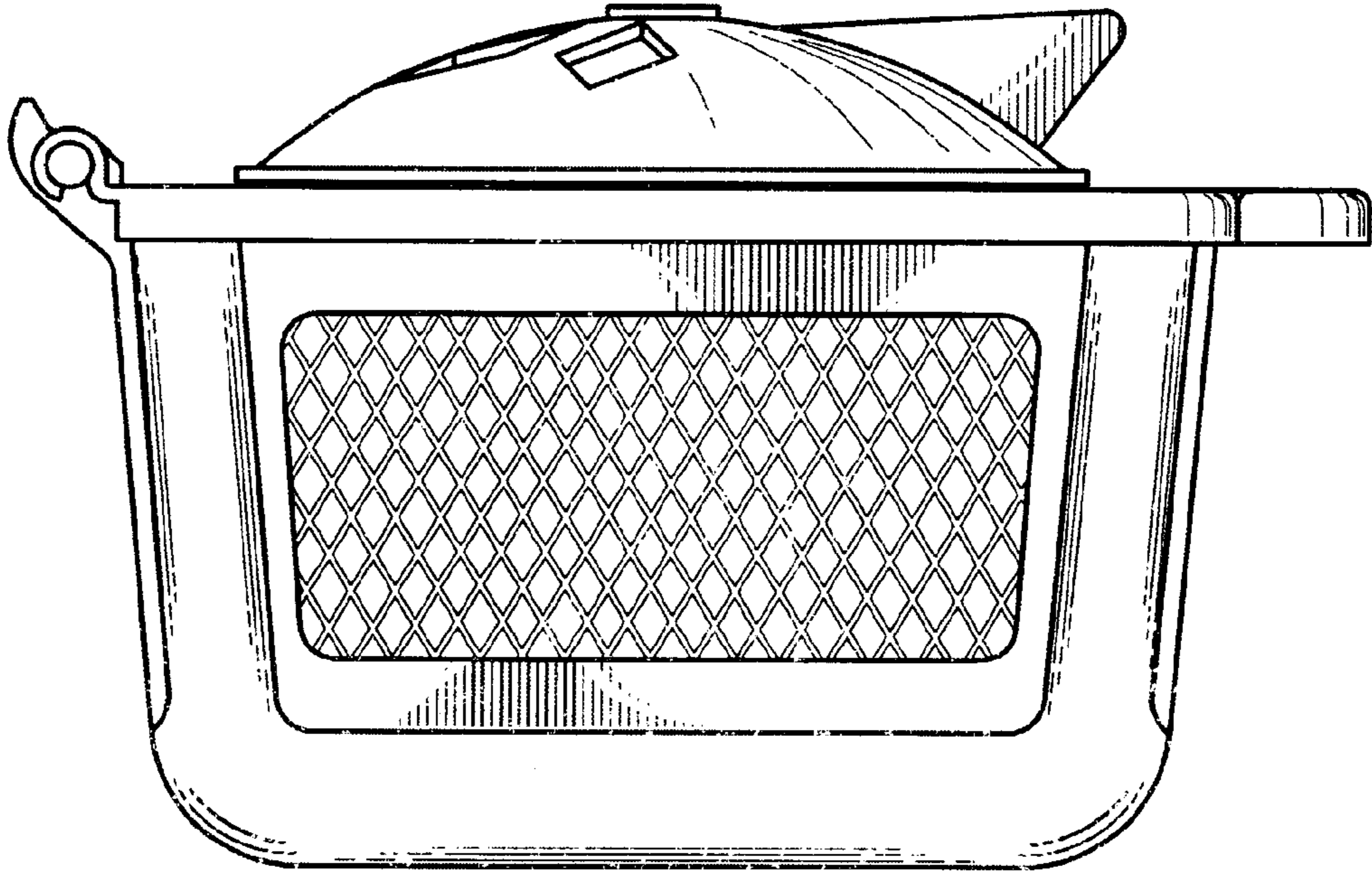


Fig. 3

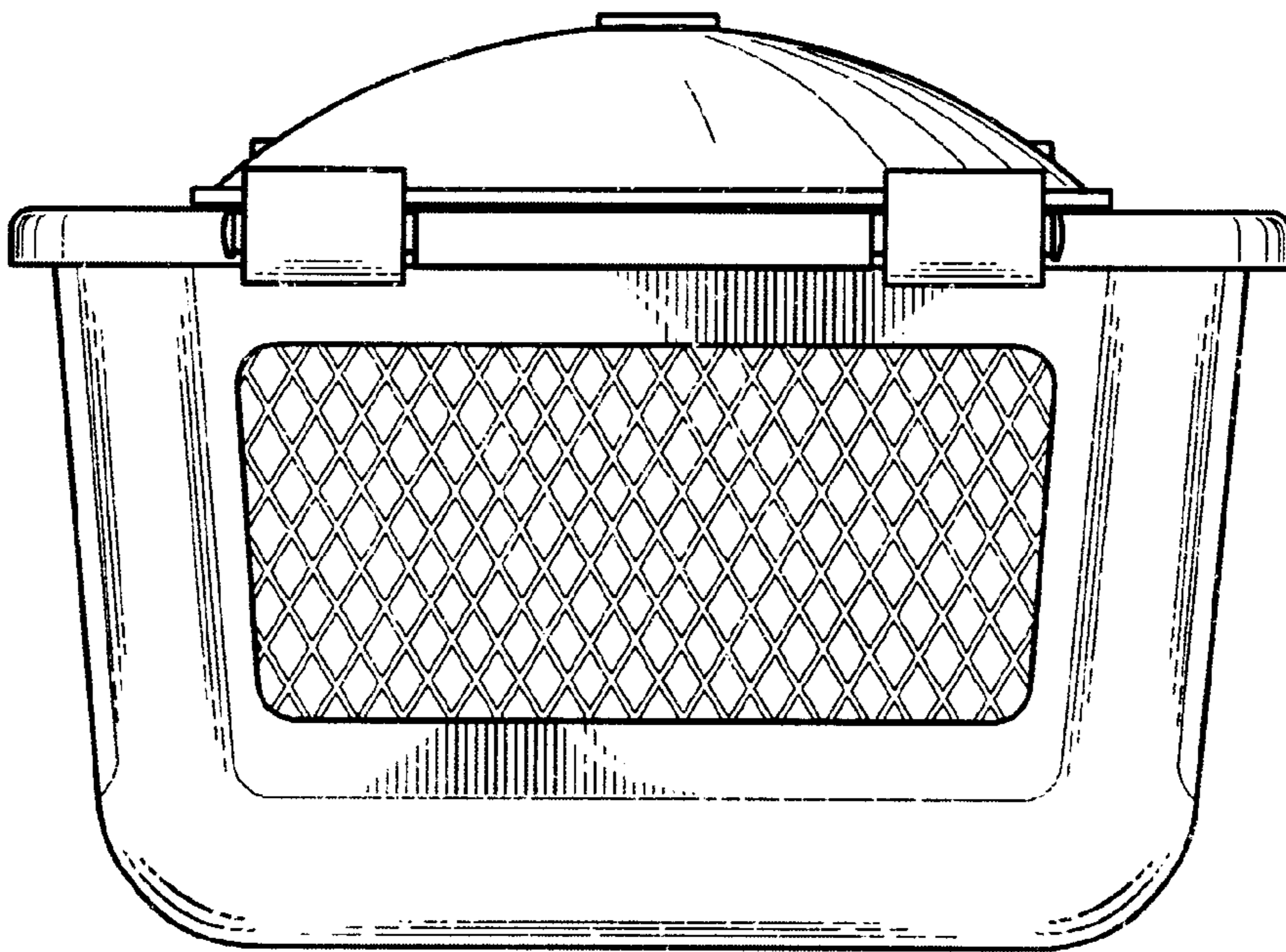


Fig. 4

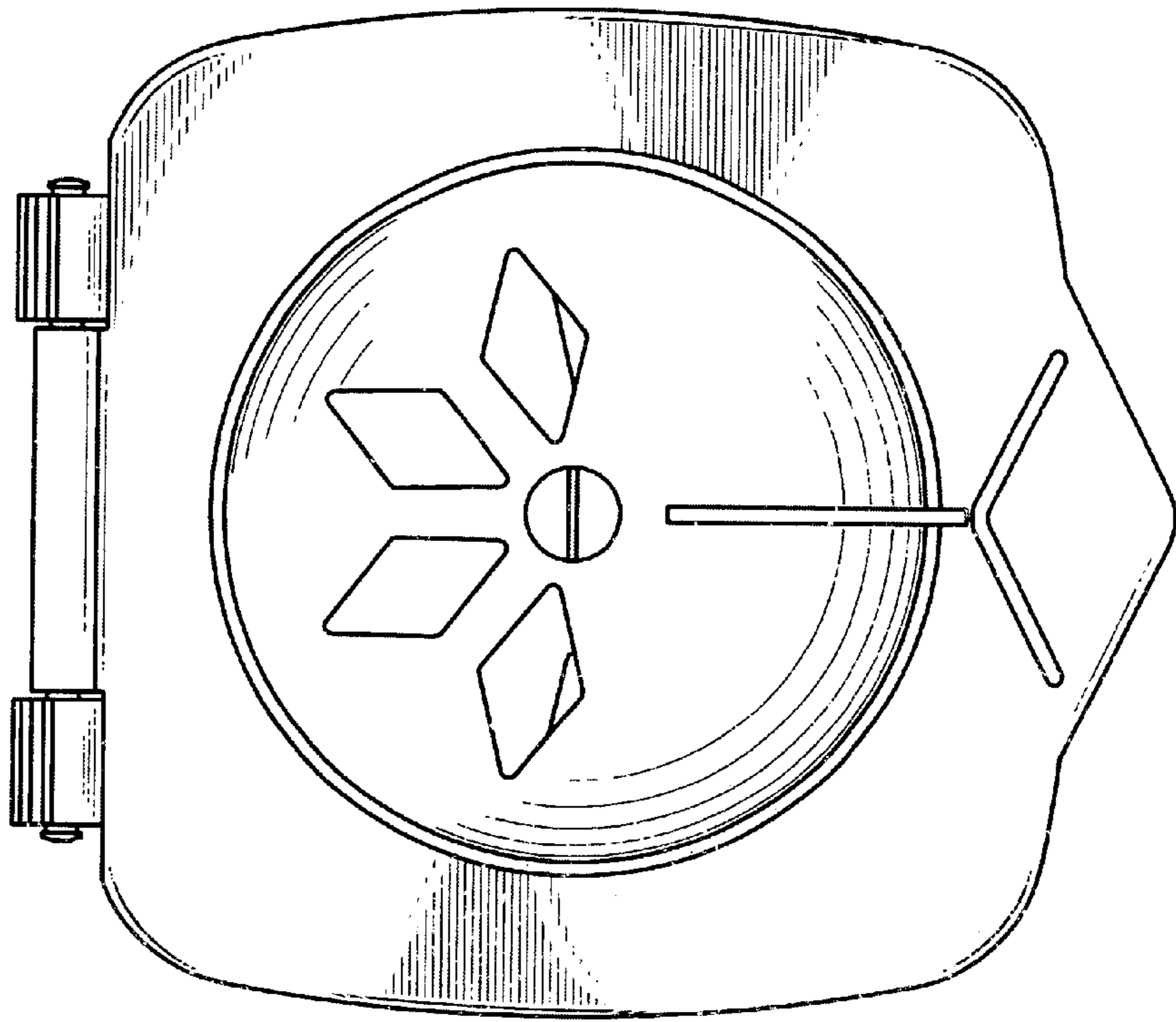


Fig. 5

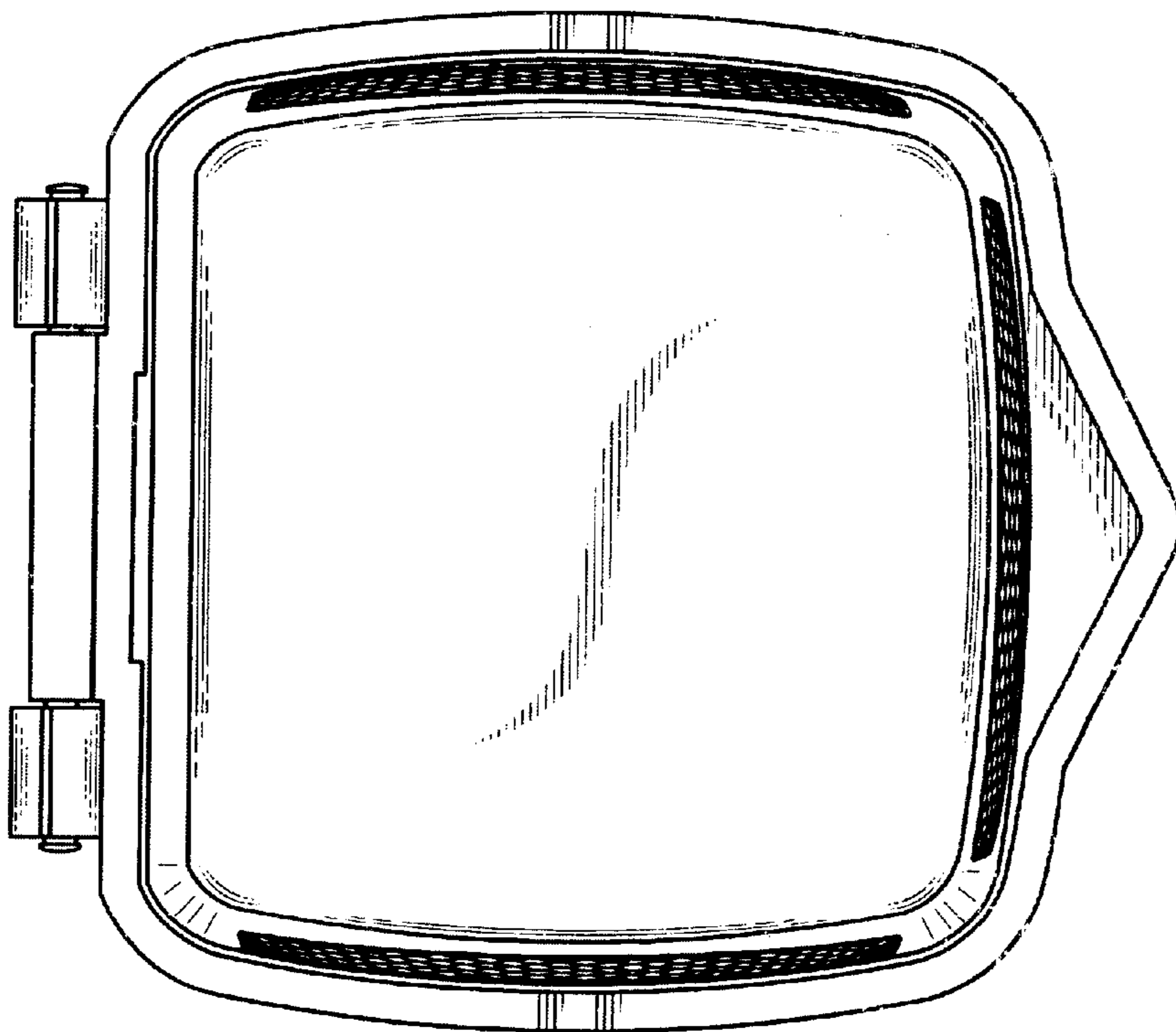


Fig. 6