



US00D473406S

(12) **United States Design Patent**
Lin

(10) **Patent No.:** **US D473,406 S**

(45) **Date of Patent:** **** Apr. 22, 2003**

(54) **LEG FOR CHAIR**

6,234,434 B1 * 5/2001 Avinger 248/188.7

(76) Inventor: **Hsien-Chih Lin**, 59-1 Guantian,
GuantianTusen, Guantian Shiang,
Tainan County (TW)

* cited by examiner

(**) Term: **14 Years**

Primary Examiner—Gary D. Watson
(74) *Attorney, Agent, or Firm*—Alan Kamrath; Rider,
Bennett, Egan & Arundel, LLP

(21) Appl. No.: **29/161,026**

(57) **CLAIM**

(22) Filed: **May 20, 2002**

The ornamental design for a leg for chair, as shown and described.

(51) **LOC (7) Cl.** **06-06**

DESCRIPTION

(52) **U.S. Cl.** **D6/498; D6/366**

(58) **Field of Search** D6/334, 335, 364,
D6/365, 366, 498, 500, 501, 502; 248/188,
188.1, 188.7, 188.8, 188.9; 297/344.18,
411.2, 463.1

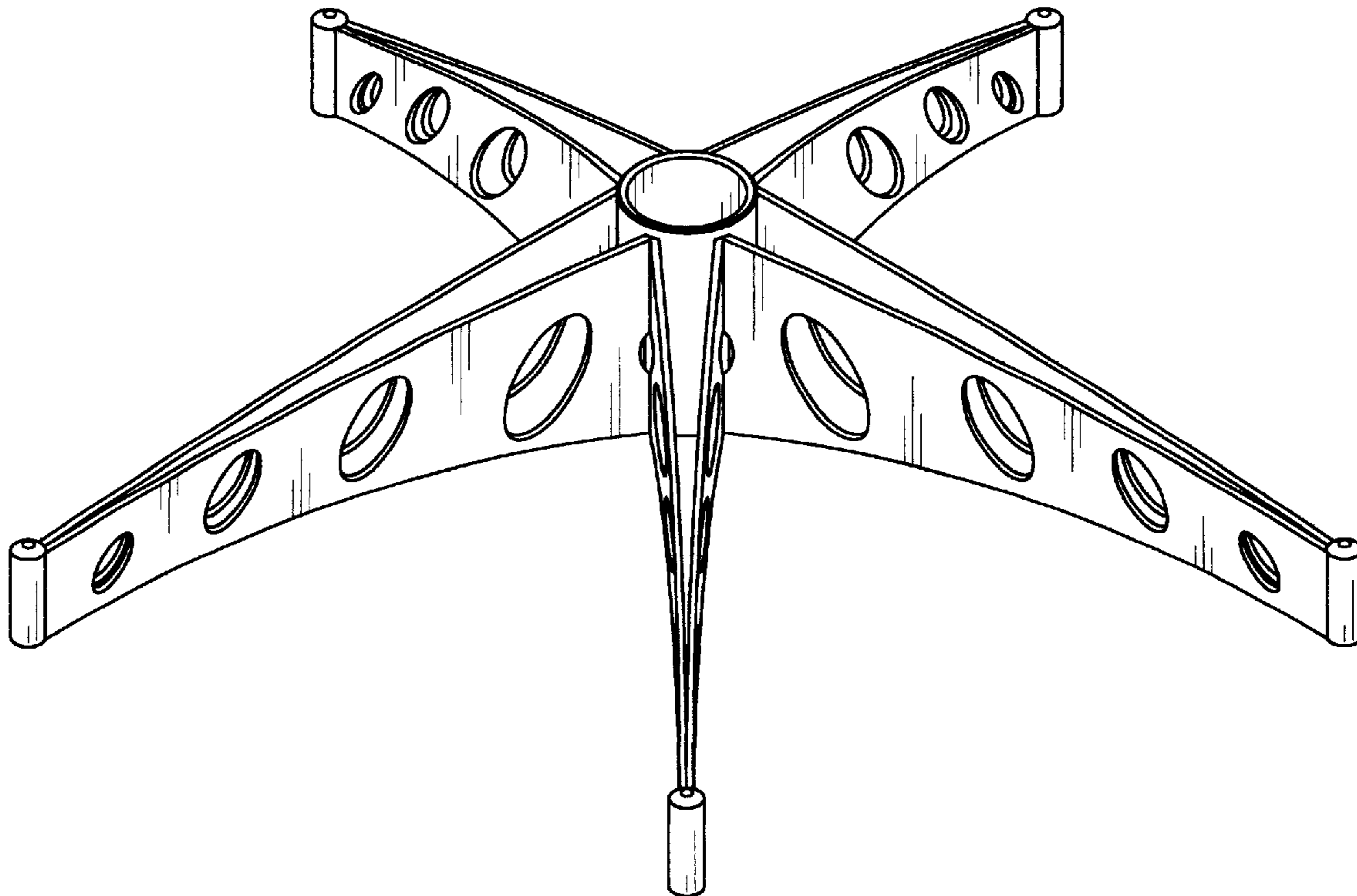
FIG. 1 is a perspective view of a leg for chair showing my new design;
FIG. 2 is a front elevational view thereof;
FIG. 3 is a rear elevational view thereof;
FIG. 4 is a left side elevational view thereof, the right side being a mirror image of the left side;
FIG. 5 is a top plan view thereof; and,
FIG. 6 is a bottom plan view thereof.

(56) **References Cited**

U.S. PATENT DOCUMENTS

D273,350 S * 4/1984 Cafiero D6/366
4,763,866 A * 8/1988 Sinchok 248/188.7

1 Claim, 4 Drawing Sheets



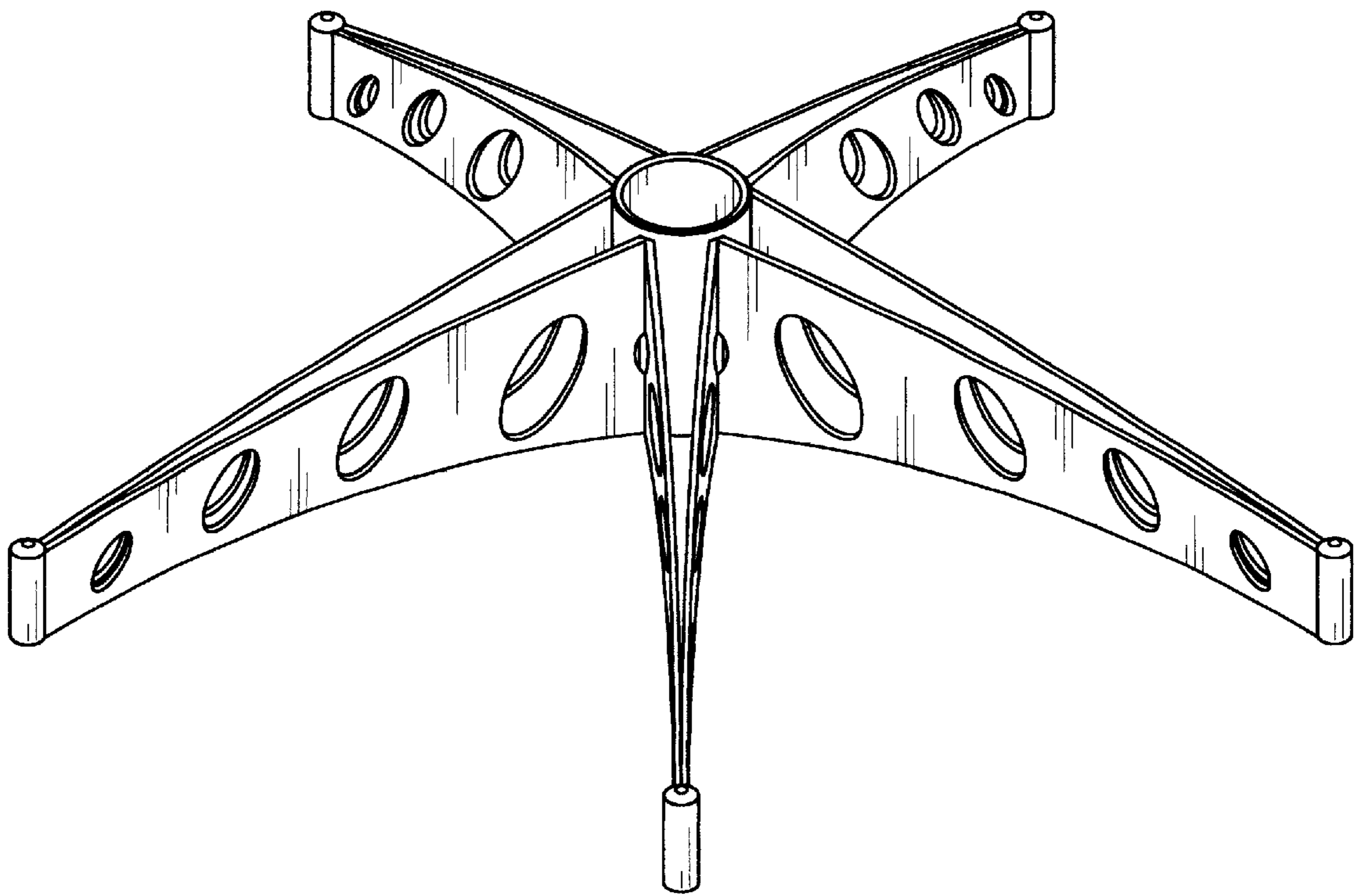


FIG. 1

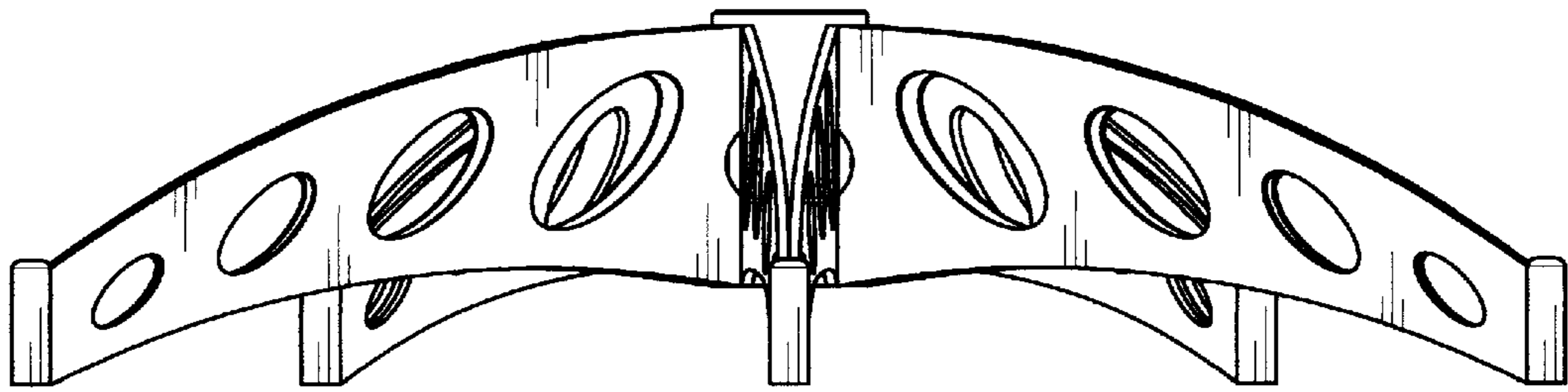


FIG. 2

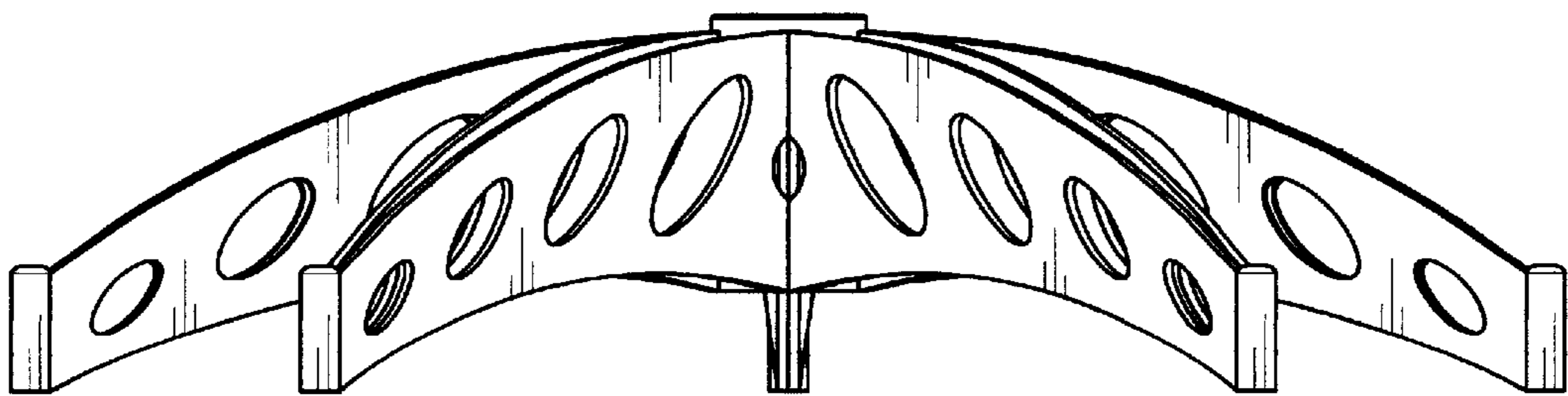


FIG. 3

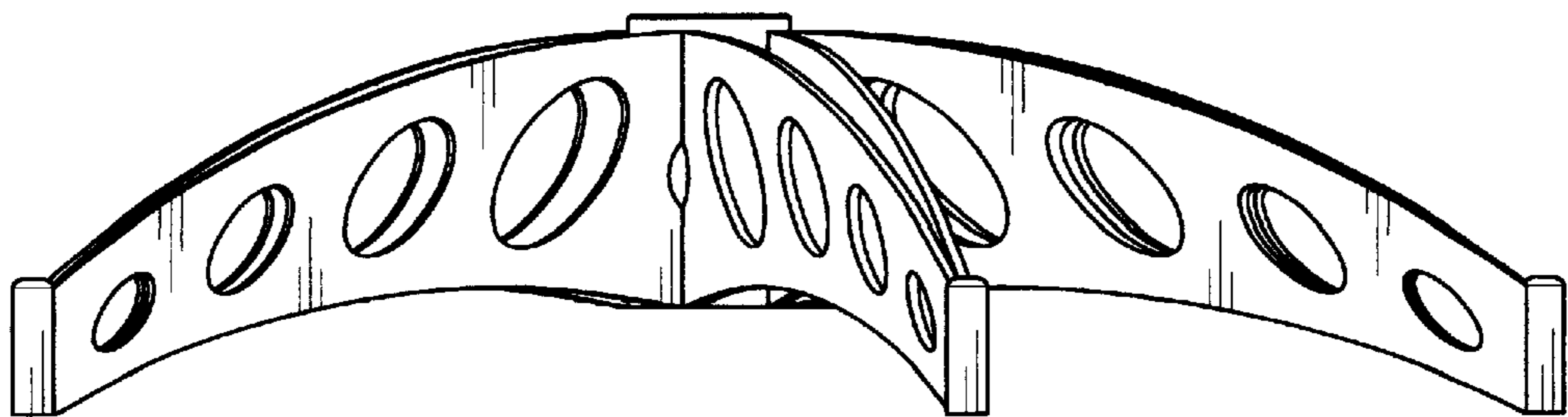


FIG. 4

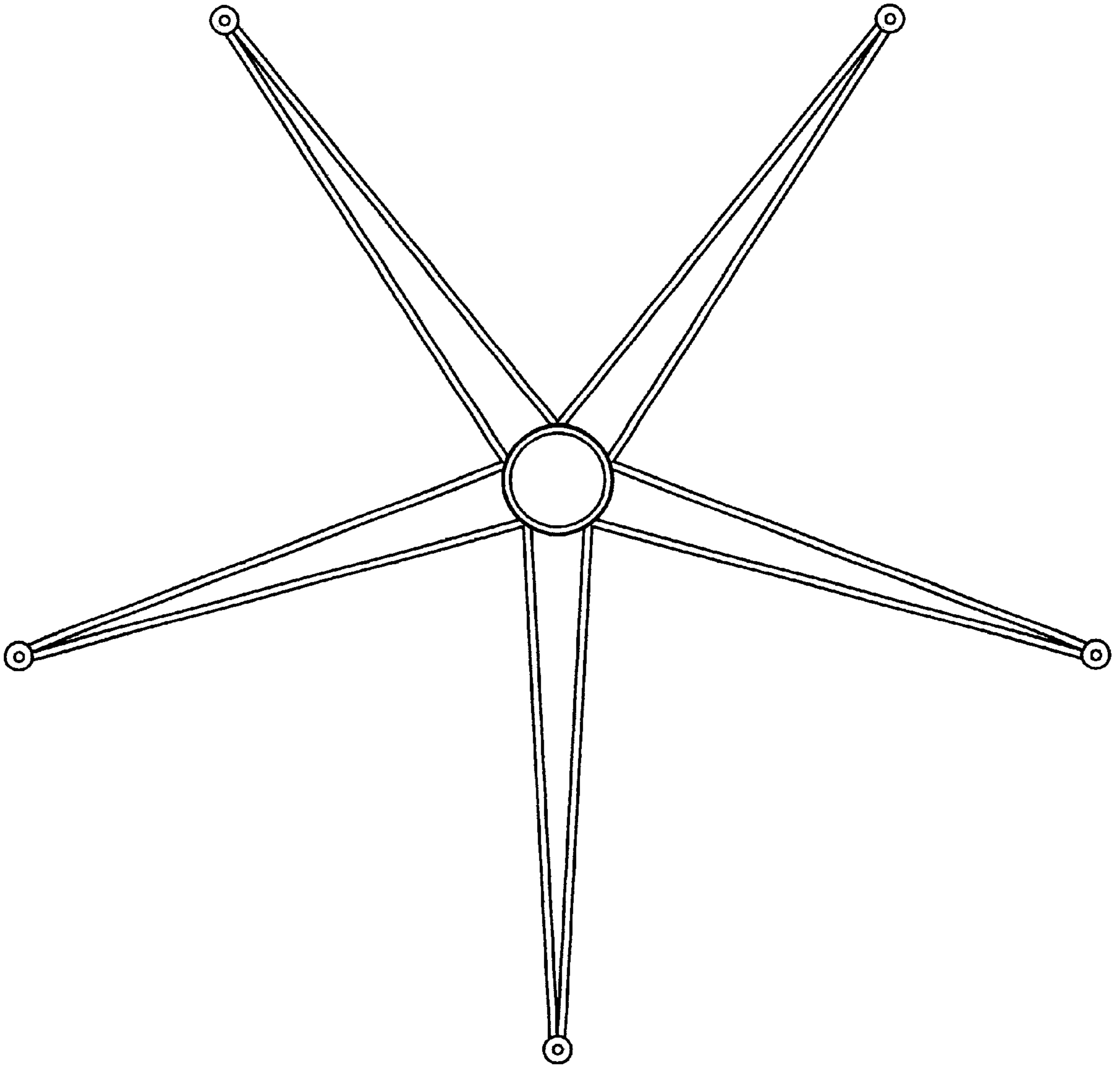


FIG. 5

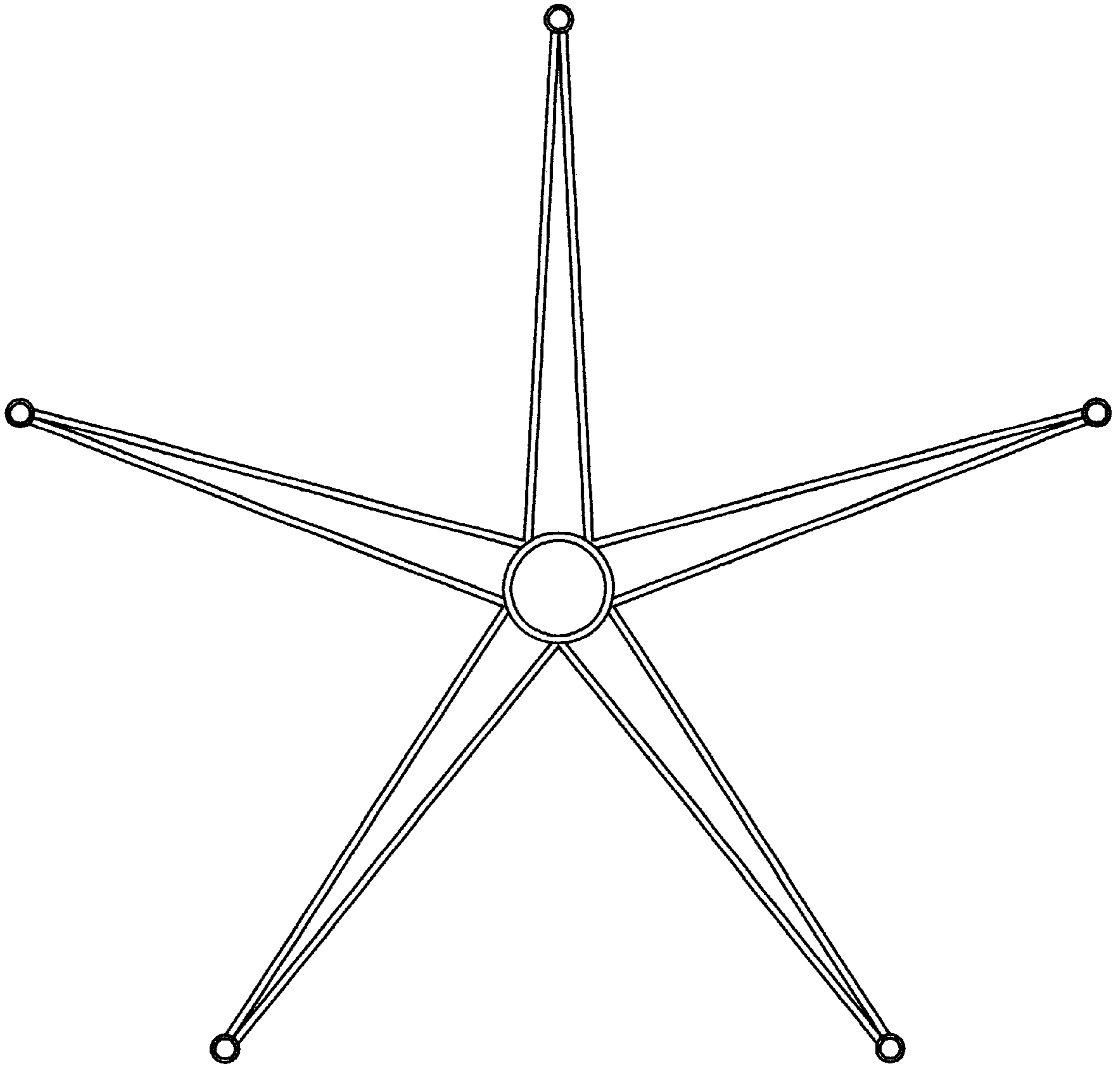


FIG. 6