



US00D473397S

(12) **United States Design Patent**
Ong

(10) **Patent No.:** **US D473,397 S**

(45) **Date of Patent:** **** Apr. 22, 2003**

(54) **SWIVEL-MOUNTED CD STORAGE UNIT**

5,651,595 A 7/1997 Willis
D444,177 S * 6/2001 Carretta D6/301 X

(76) Inventor: **Bon S. Ong**, Box 4247, Torrance, CA
(US) 90510

* cited by examiner

(**) Term: **14 Years**

Primary Examiner—Cathron C. Brooks
(74) *Attorney, Agent, or Firm*—Charles H. Thomas

(21) Appl. No.: **29/160,182**

(57) **CLAIM**

(22) Filed: **May 7, 2002**

The ornamental design for the swivel-mounted CD storage unit, as shown and described.

(51) **LOC (7) Cl.** **06-04**

(52) **U.S. Cl.** **D6/407**

(58) **Field of Search** D6/407, 628-630,
D6/467-469, 450, 453, 462, 465, 466, 301,
310; 206/307, 307.1, 308.1; 211/40, 41.1,
41.2, 41.12; 312/9.1, 9.9, 9.47, 9.48, 9.51-9.56,
9.64

DESCRIPTION

(56) **References Cited**

U.S. PATENT DOCUMENTS

3,374,917 A	*	3/1968	Troy	220/23.4
3,692,376 A		9/1972	McKinsey et al.	
D227,001 S	*	5/1973	Dembar	D6/301
D231,786 S	*	6/1974	Burnley	D6/495
D231,787 S	*	6/1974	Burnley	D6/495
D245,279 S	*	8/1977	Hollendonner	D21/388
D255,518 S	*	6/1980	Logsdon	D6/448
4,826,261 A		5/1989	Nademlejsky	
4,859,007 A	*	8/1989	Schapker	312/9.54
5,071,002 A	*	12/1991	Bradley	206/217
D334,815 S	*	4/1993	Bunger	D6/495 X
5,205,525 A	*	4/1993	Peck	248/311.2
5,226,704 A	*	7/1993	Porter	312/9.48
D338,571 S	*	8/1993	Singer	D6/407
D346,627 S	*	5/1994	Bach	D21/501
D364,278 S		11/1995	Guyton	

FIG. 1 is a perspective view of one embodiment of a swivel-mounted CD storage unit illustrating my new design, the material shown in phantom merely illustrating the environment of use, and forming no part of my invention;
 FIG. 2 is a front elevational view thereof;
 FIG. 3 is a right-side elevational view thereof, it being understood that the left-side elevational view and the rear elevational view are both identical thereto;
 FIG. 4 is a top plan view thereof;
 FIG. 5 is a bottom plan view thereof;
 FIG. 6 is a perspective view of an alternative embodiment of a swivel-mounted CD storage unit, illustrating my new design, the material shown in phantom being merely illustrating the environment of use, and forming no part of my invention;
 FIG. 7 is a front elevational view thereof;
 FIG. 8 is a right-side elevational view thereof, it being understood that the left-side elevational view and the rear elevational view are both identical thereto;
 FIG. 9 is a top plan view thereof; and,
 FIG. 10 is a bottom plan view thereof.

1 Claim, 6 Drawing Sheets

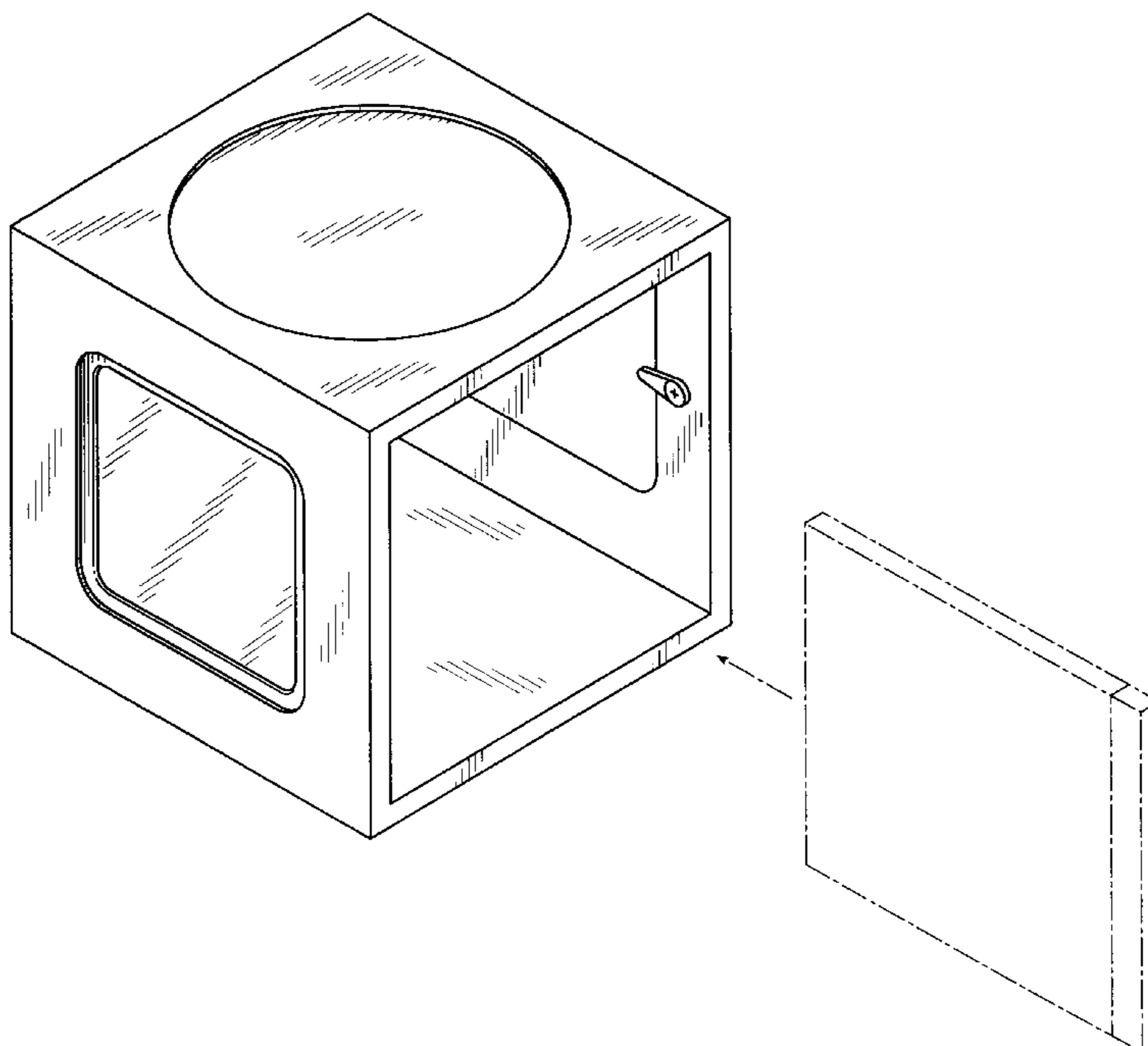


FIG. 1

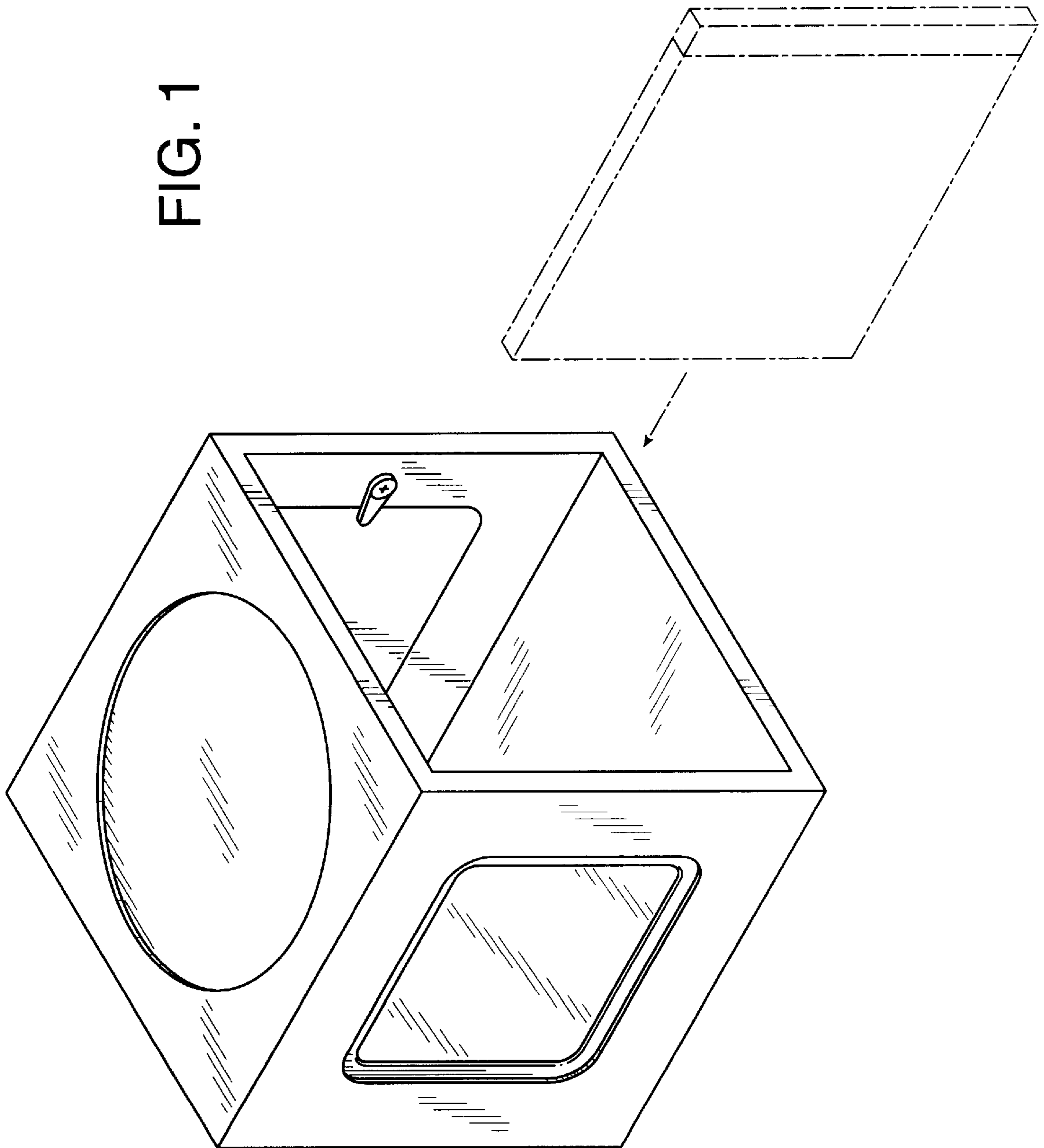


FIG. 3

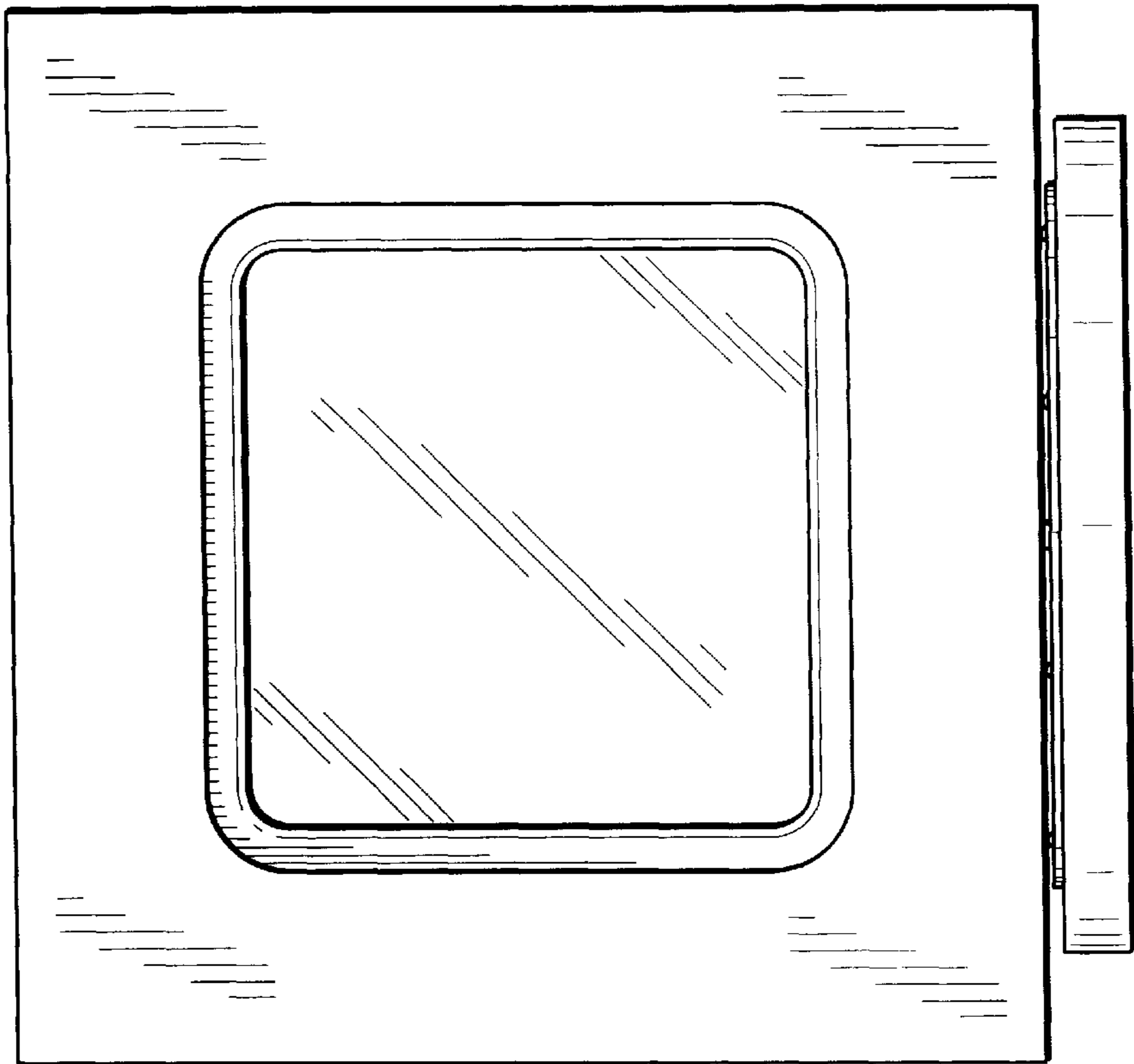


FIG. 2

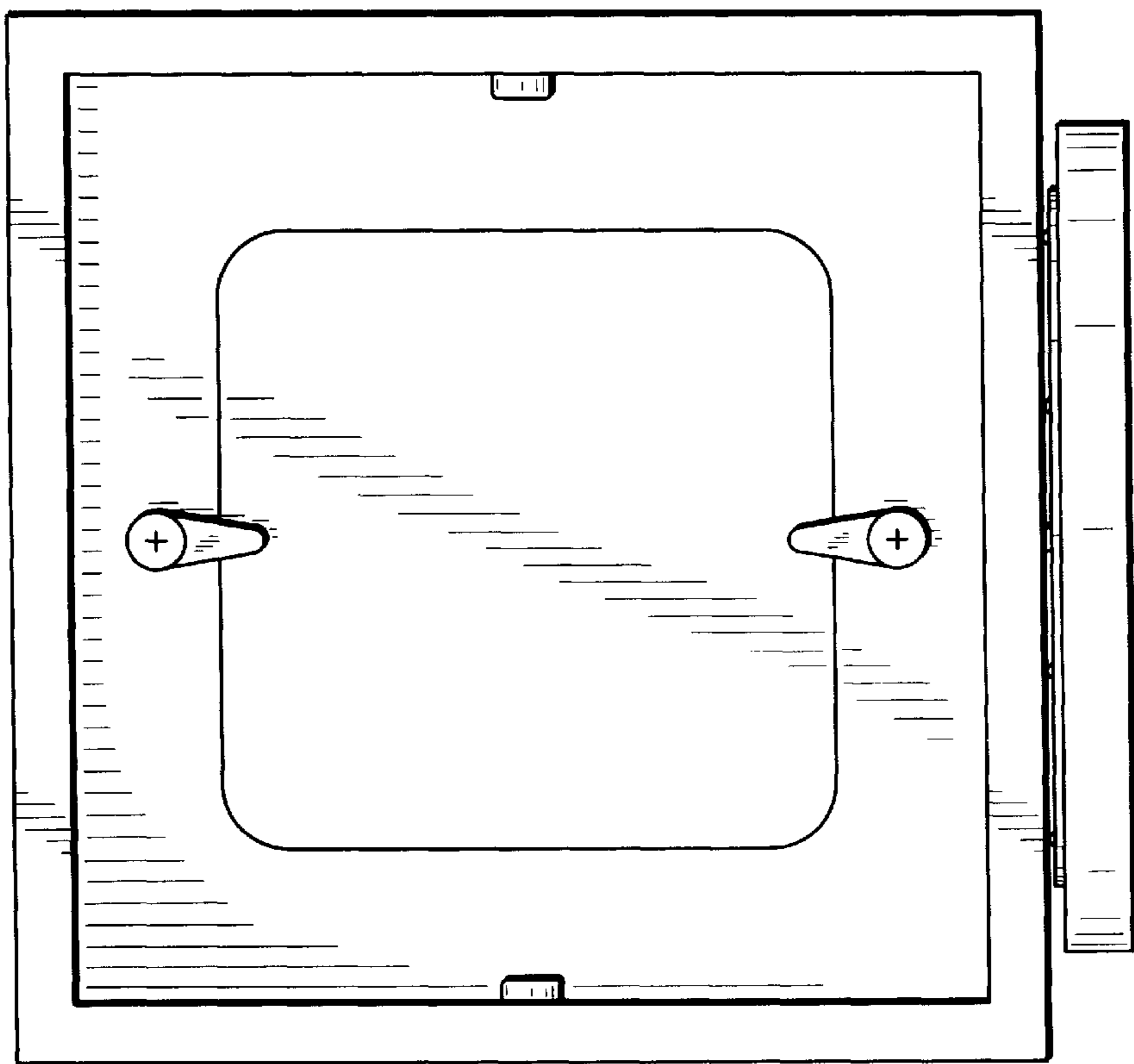


FIG. 4

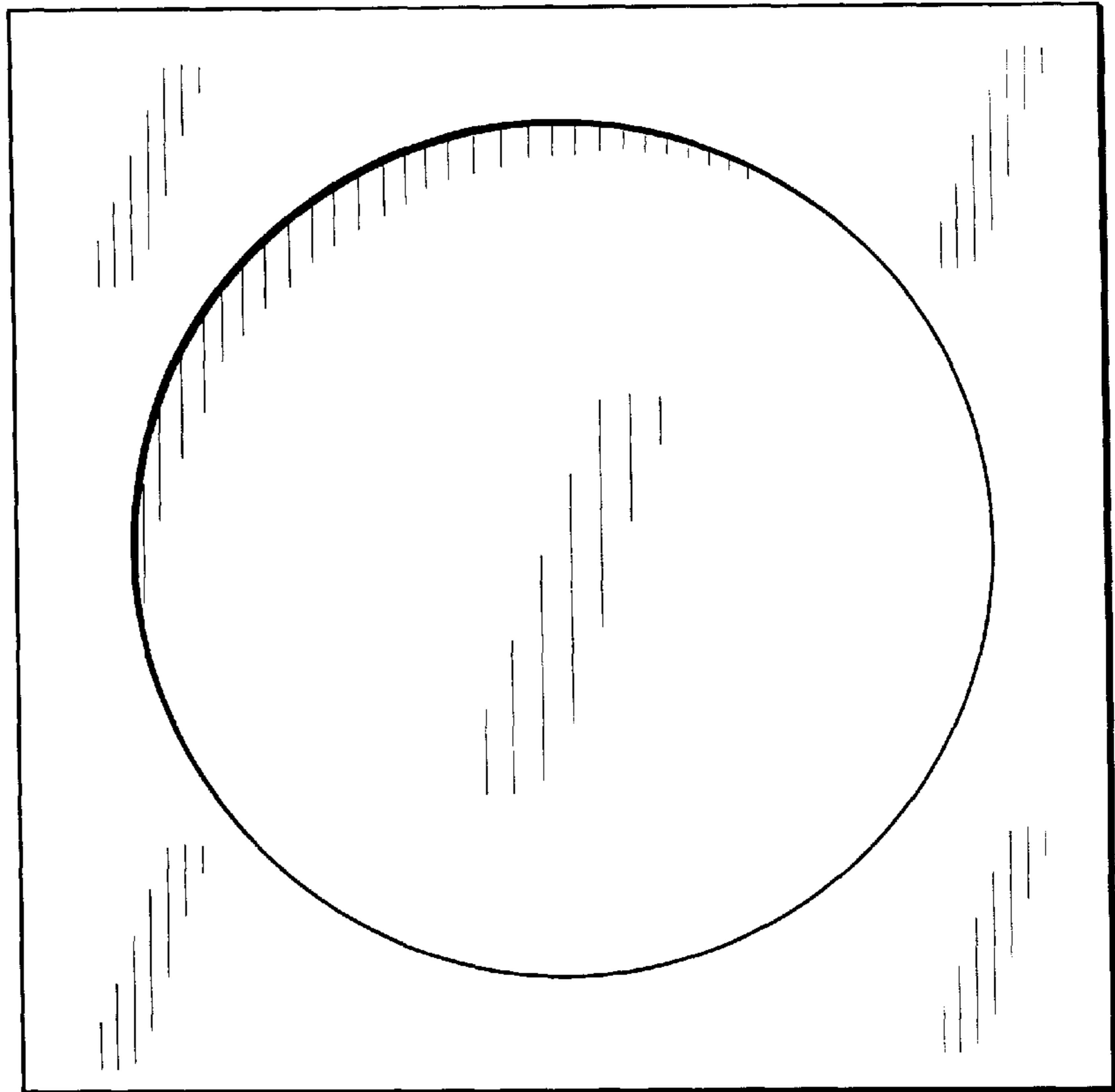


FIG. 5

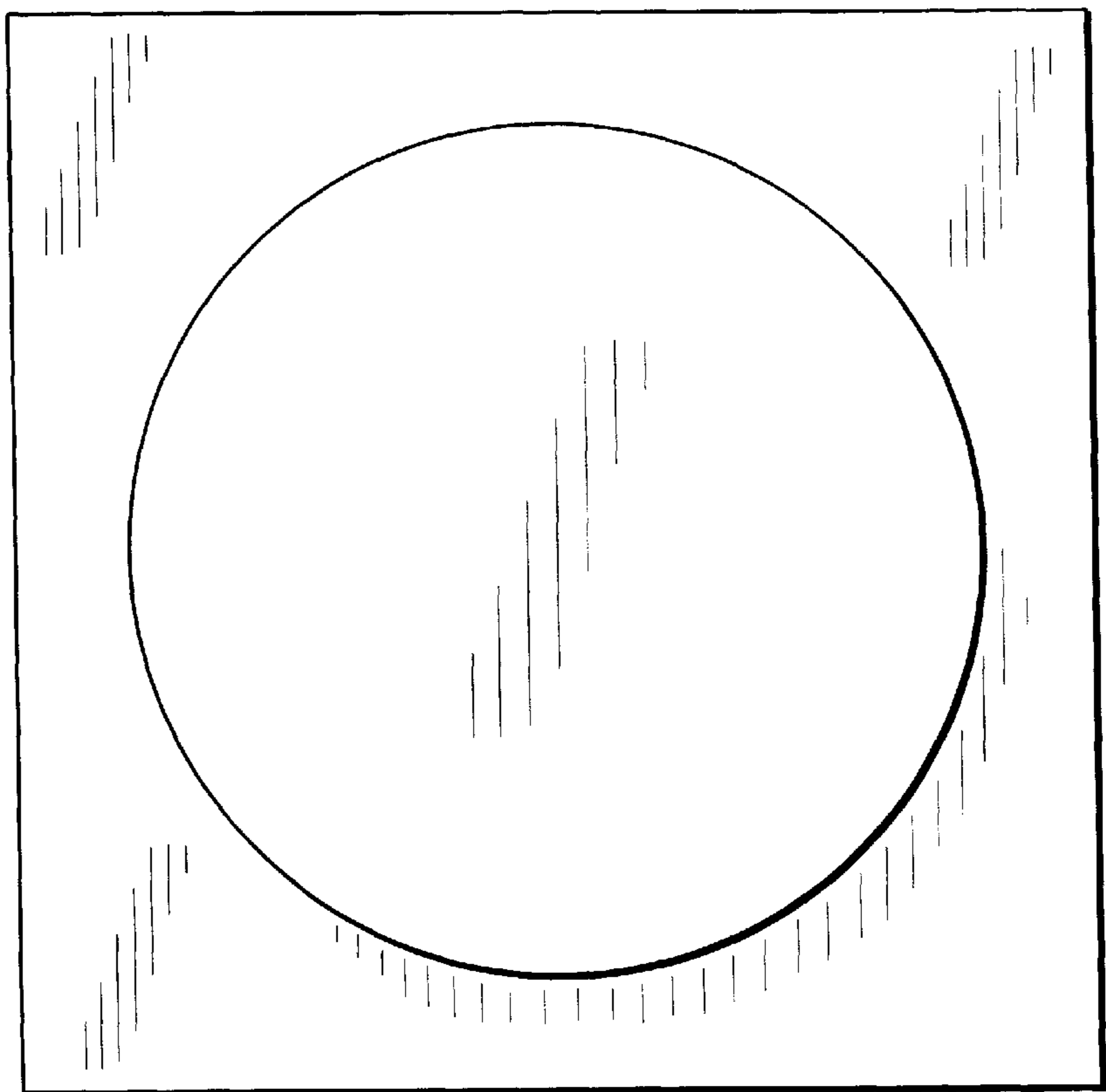


FIG. 6

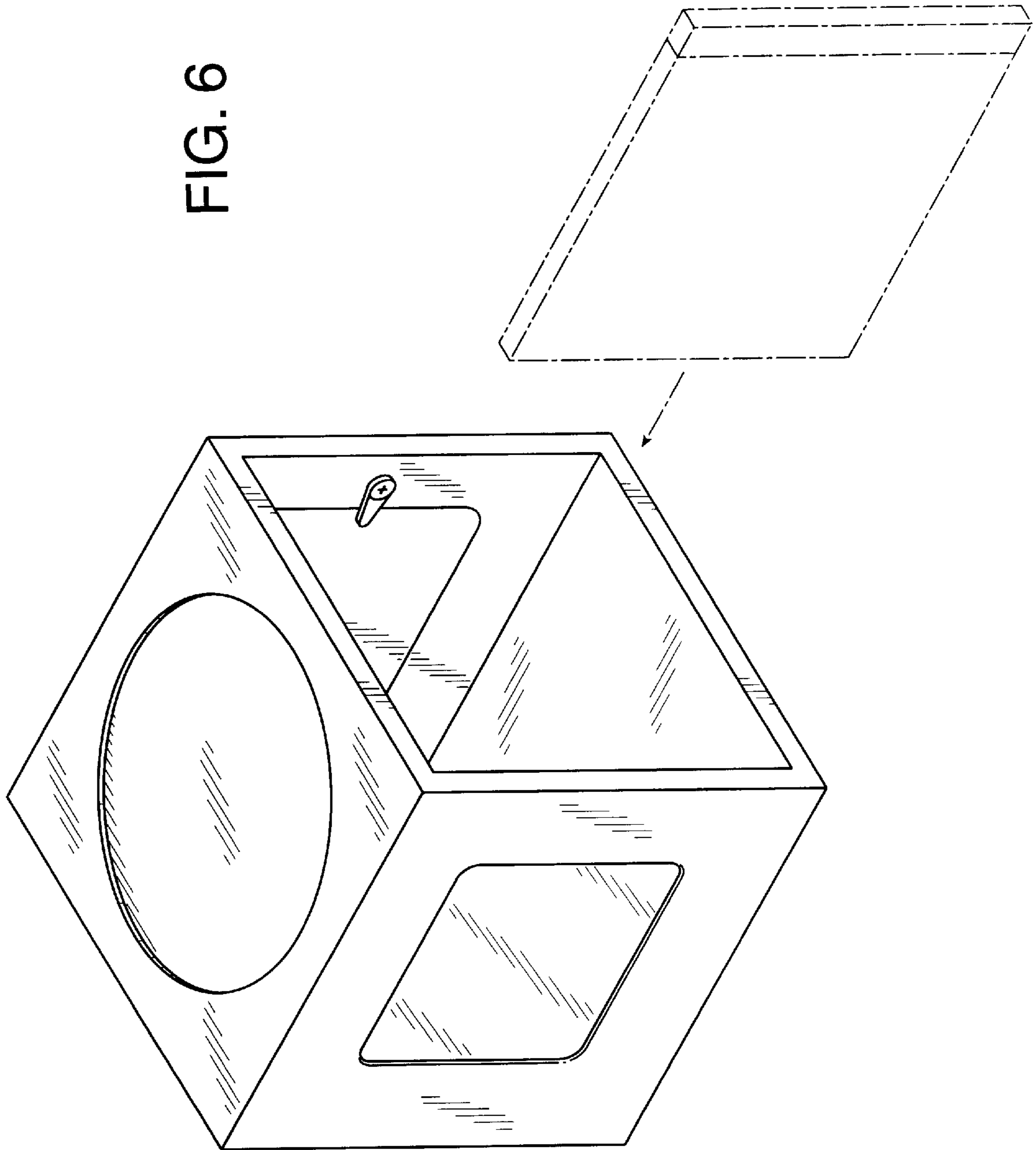


FIG. 8

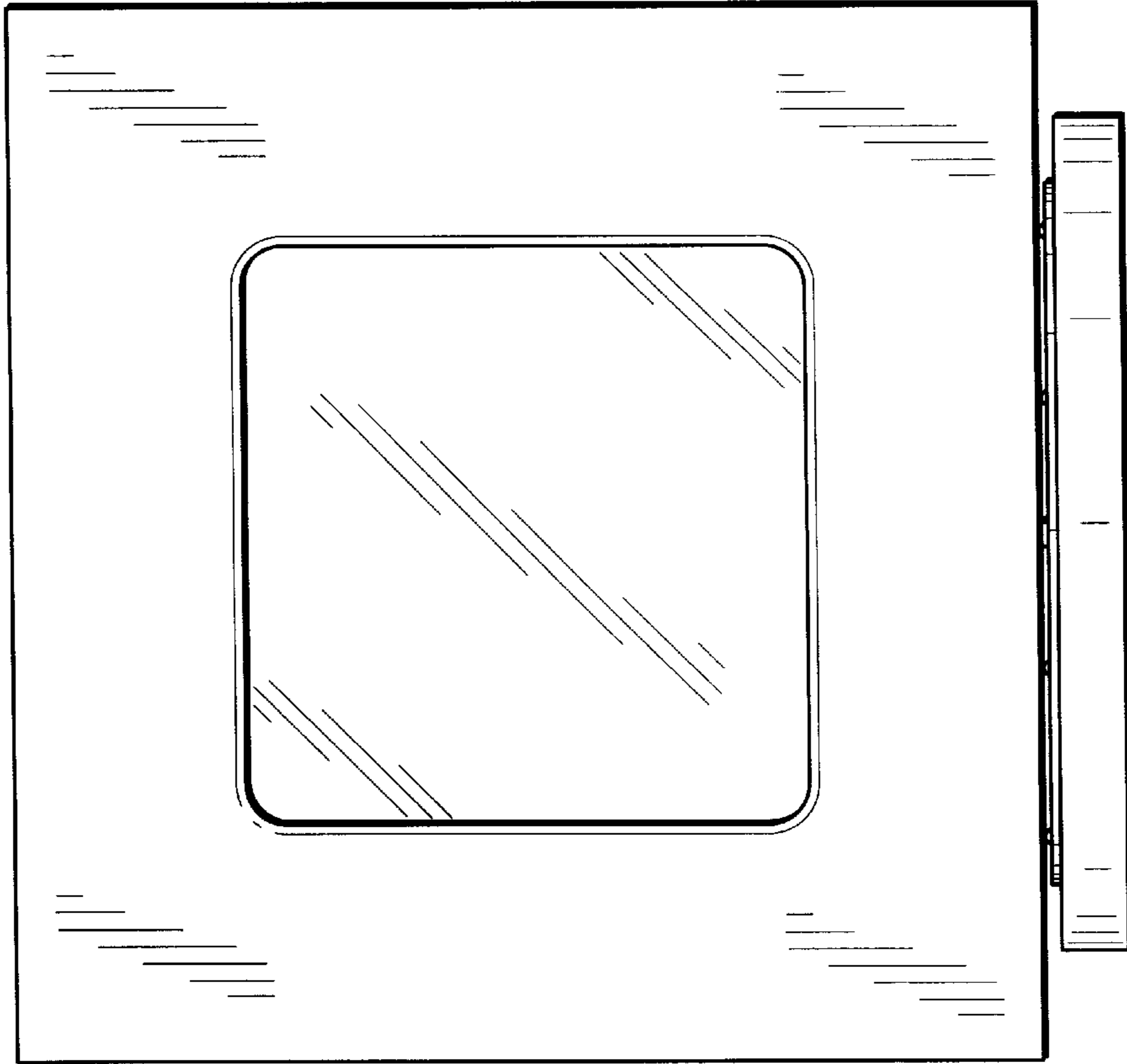


FIG. 7

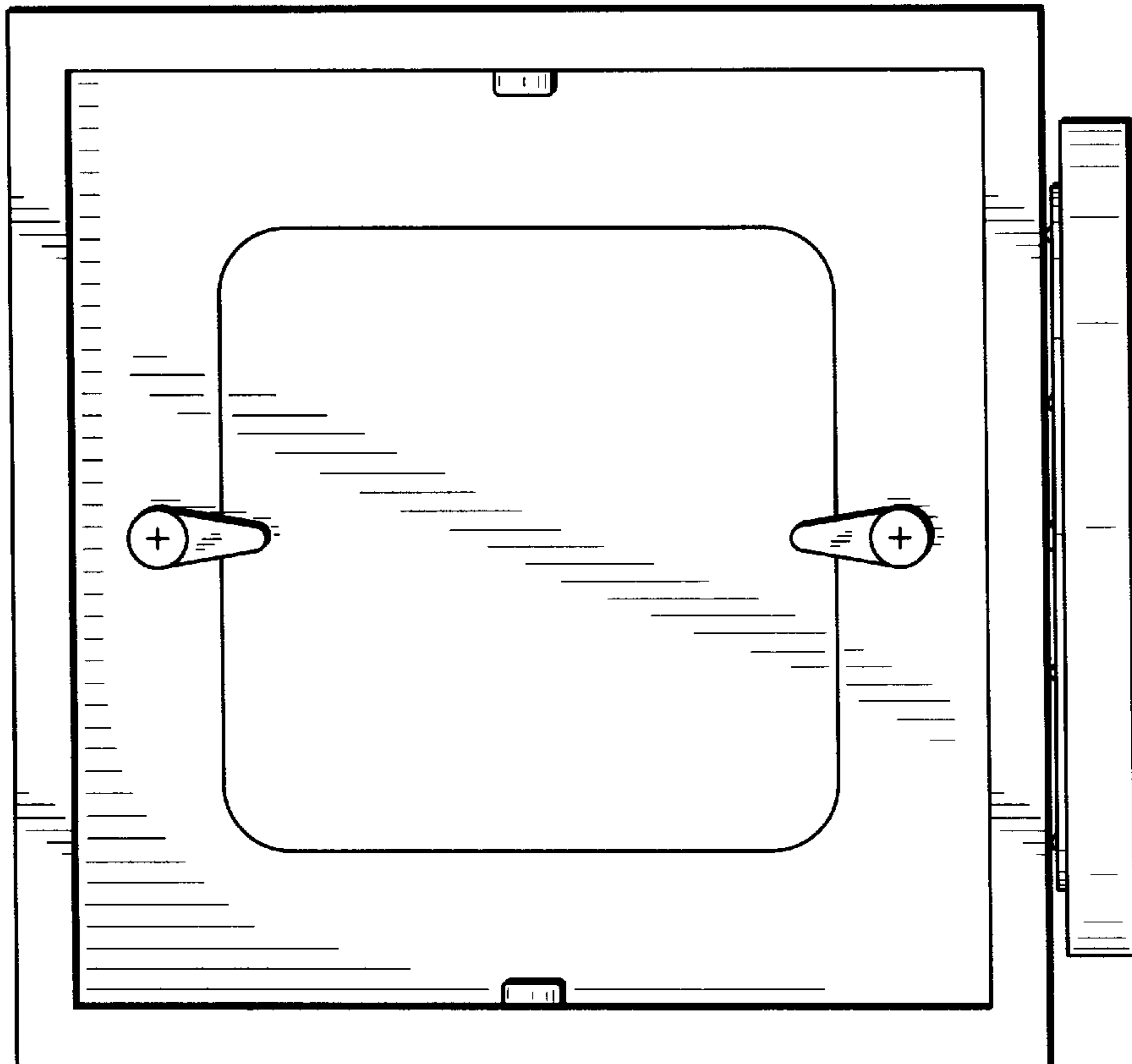


FIG. 9

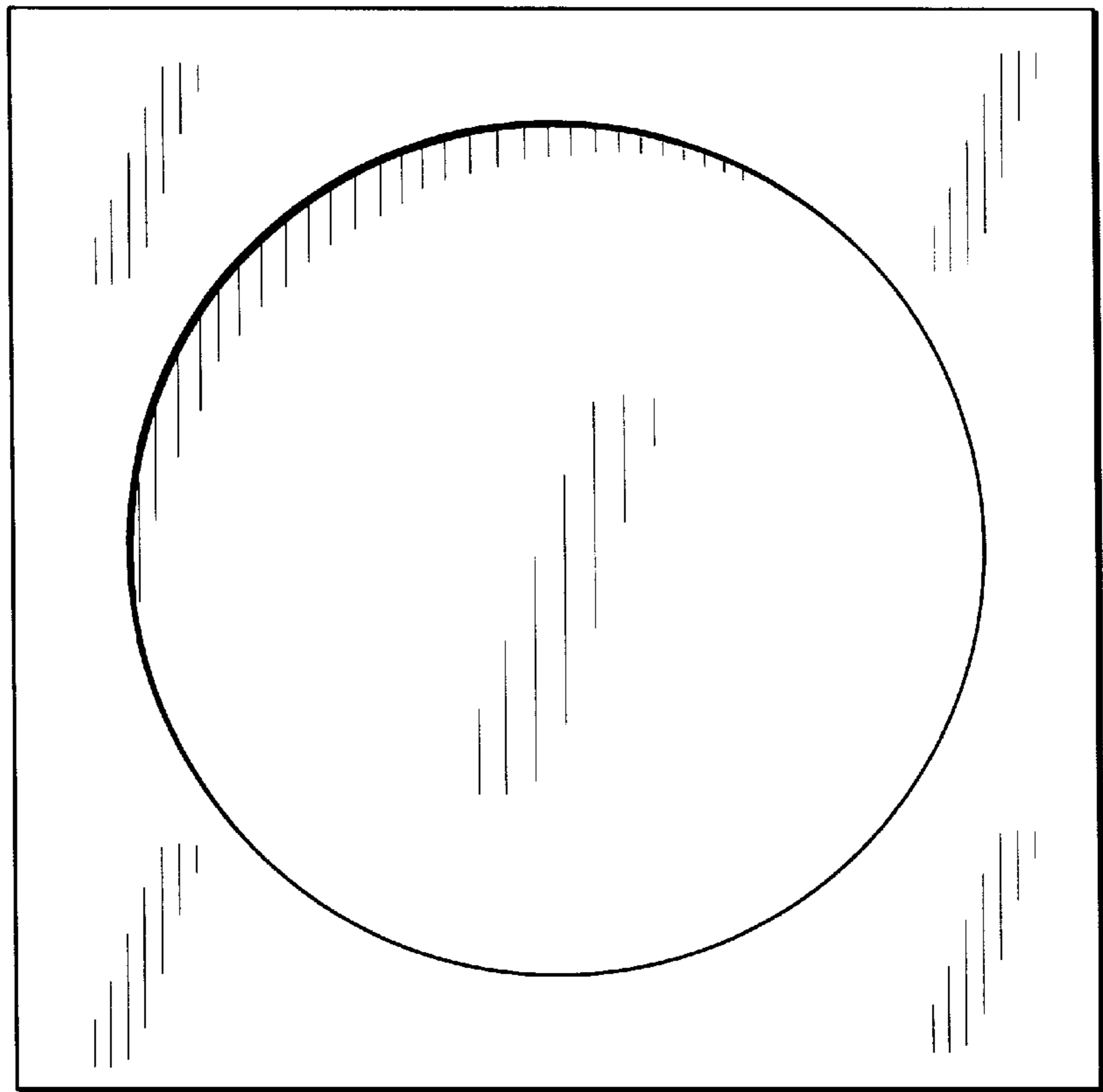


FIG. 10

