



US00D473396S

(12) **United States Design Patent**
Ong

(10) **Patent No.:** **US D473,396 S**

(45) **Date of Patent:** **** Apr. 22, 2003**

(54) **STACKABLE STORAGE UNIT**

(76) **Inventor:** **Bon S. Ong**, Box 4247, Torrance, CA
(US) 90510

(**) **Term:** **14 Years**

(21) **Appl. No.:** **29/157,650**

(22) **Filed:** **Mar. 25, 2002**

(51) **LOC (7) Cl.** **06-04**

(52) **U.S. Cl.** **D6/407; D6/630**

(58) **Field of Search** D6/407, 628-630,
D6/467-469, 450, 453, 462, 465, 466, 301,
310; 206/307, 307.1, 308.1; 211/40, 41.1,
41.2, 41.12; 312/9.1, 9.9, 9.47, 9.48, 9.51-9.56,
9.64

(56) **References Cited**

U.S. PATENT DOCUMENTS

3,374,917	A	*	3/1968	Troy	220/23.4
D227,001	S	*	5/1973	Dembar	D6/301
D231,786	S	*	6/1974	Burnley	D6/495
D231,787	S	*	6/1974	Burnley	D6/495
D245,279	S	*	8/1977	Hollendonner	D21/388
D255,518	S	*	6/1980	Logsdon	D6/448
4,859,007	A	*	8/1989	Schapker	312/9.54
5,071,002	A	*	12/1991	Bradley	206/217
D334,815	S	*	4/1993	Bunger	D6/495 X
5,205,525	A	*	4/1993	Peck	248/311.2
5,226,704	A	*	7/1993	Porter	312/9.48

D338,571	S	*	8/1993	Singer	D6/407
D346,627	S	*	5/1994	Bach	D21/501
D405,309	S	*	2/1999	Mok	D6/630
D444,177	S	*	6/2001	Carretta	D19/85

* cited by examiner

Primary Examiner—Cathron C. Brooks

(74) *Attorney, Agent, or Firm*—Charles H. Thomas

(57) **CLAIM**

The ornamental design for the stackable storage unit, as shown and described.

DESCRIPTION

FIG. 1 is a perspective view of a stackable storage unit illustrating my new design, the material shown in phantom merely illustrating the environment of use, and forming no part of my invention;

FIG. 2 is a right-side elevational view thereof, it being understood that the left-side elevational view and the rear elevational view are both identical thereto;

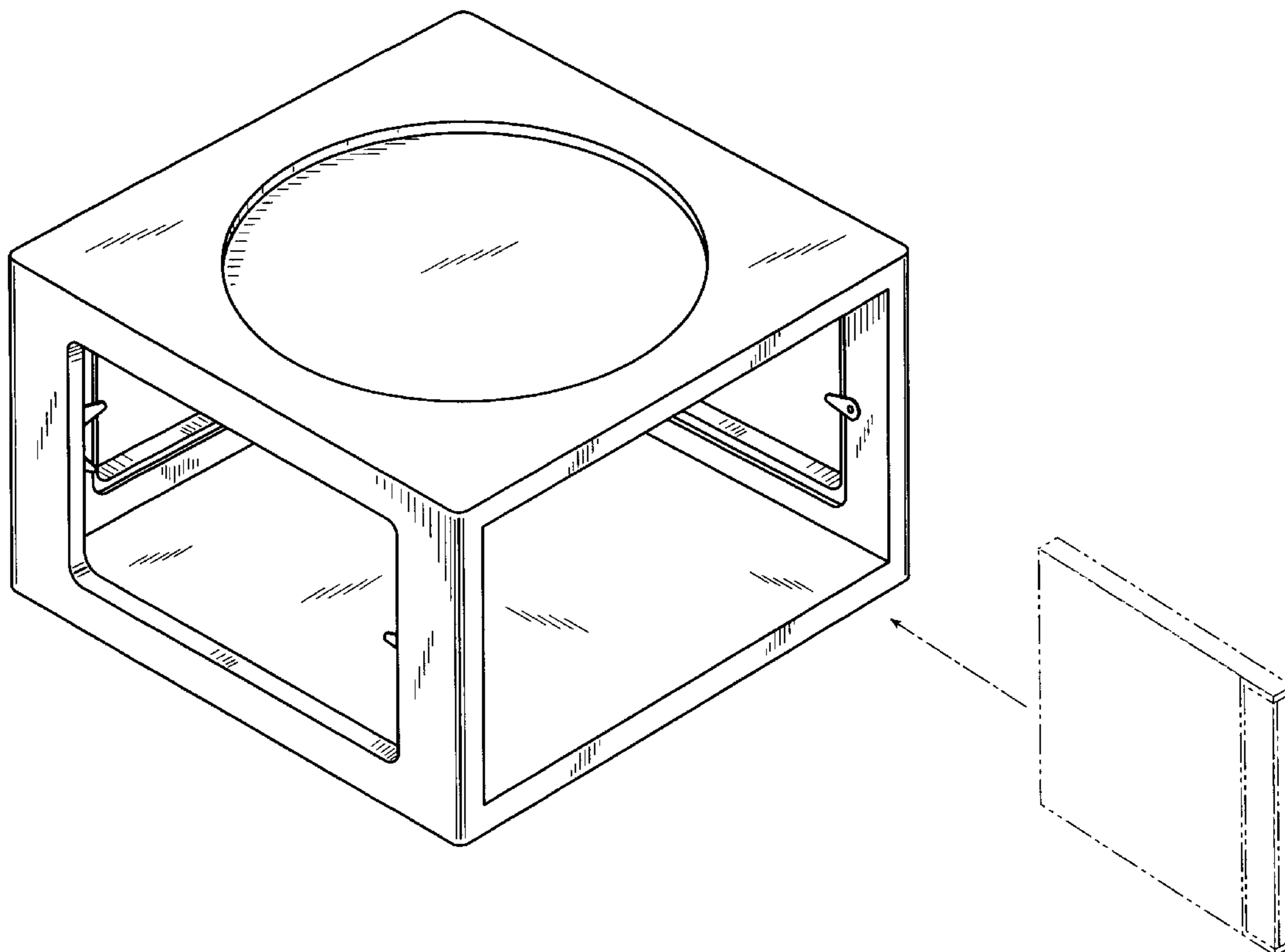
FIG. 3 is a front elevational view thereof;

FIG. 4 is a top plan view thereof;

FIG. 5 is a bottom plan view thereof; and,

FIG. 6 is an isometric view of the stackable storage unit of FIG. 1, but showing two additional units in broken lines for illustrative purposes only, which form no part of the claimed design.

1 Claim, 4 Drawing Sheets



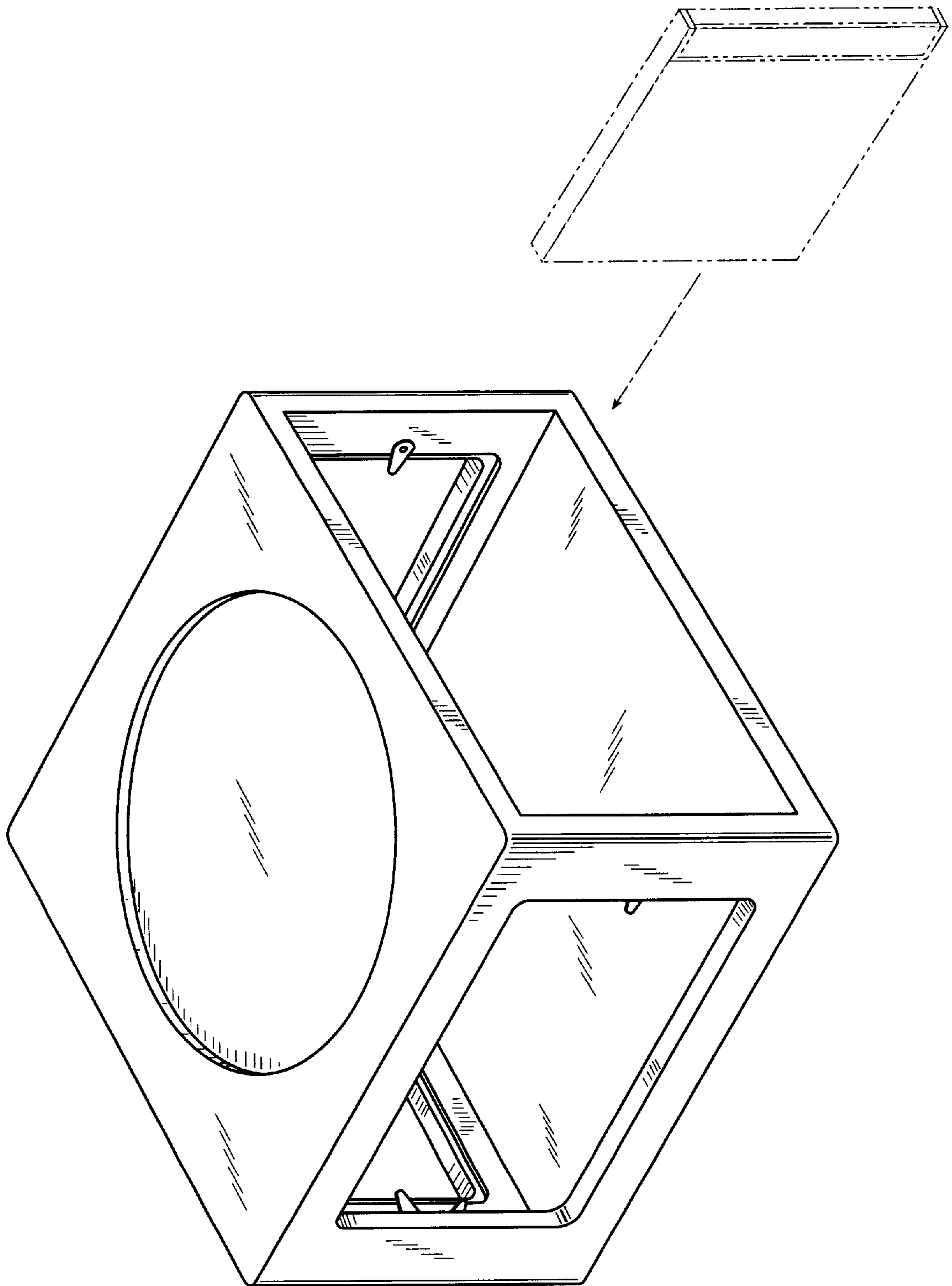


FIG. 1

FIG. 2

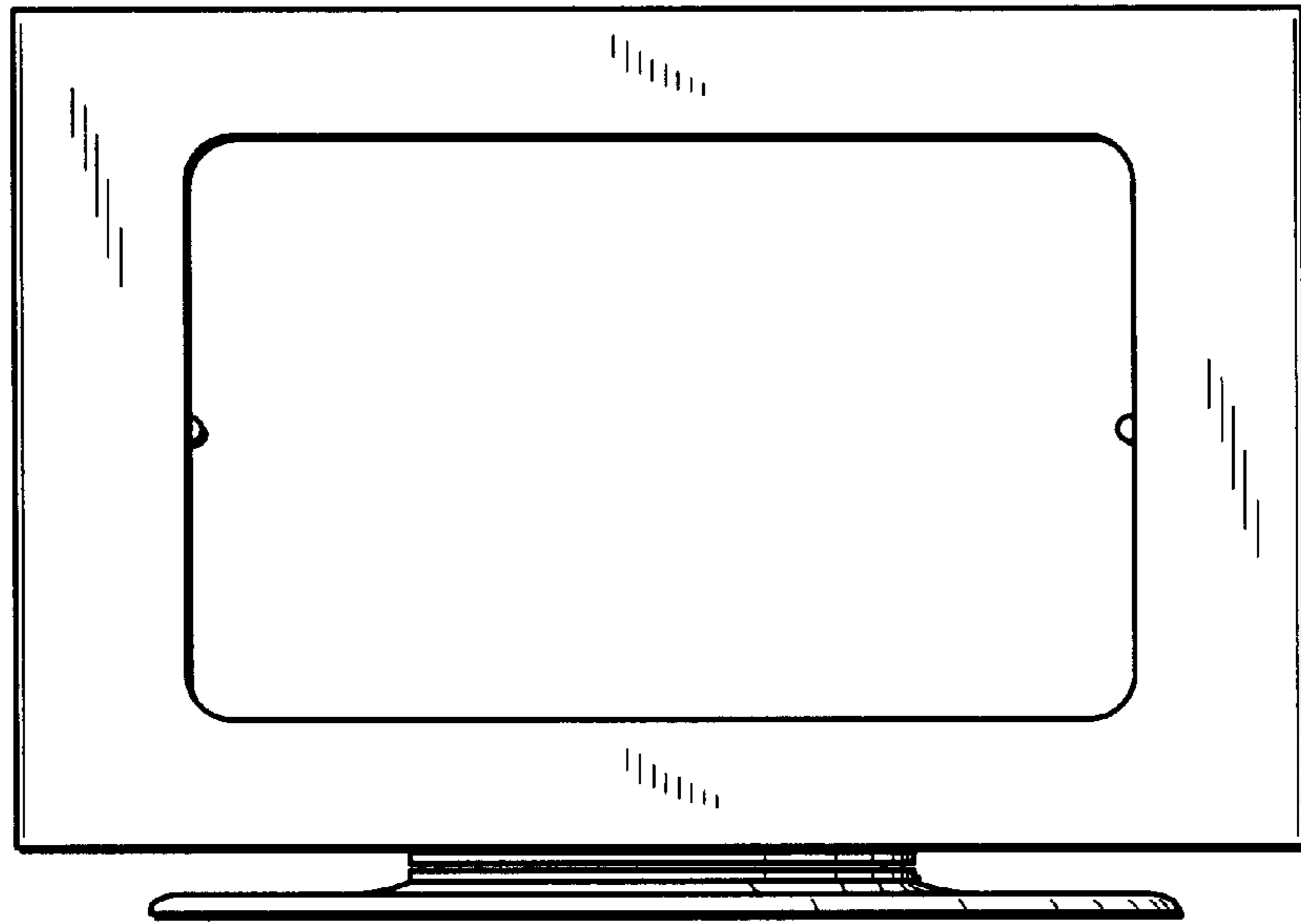


FIG. 3

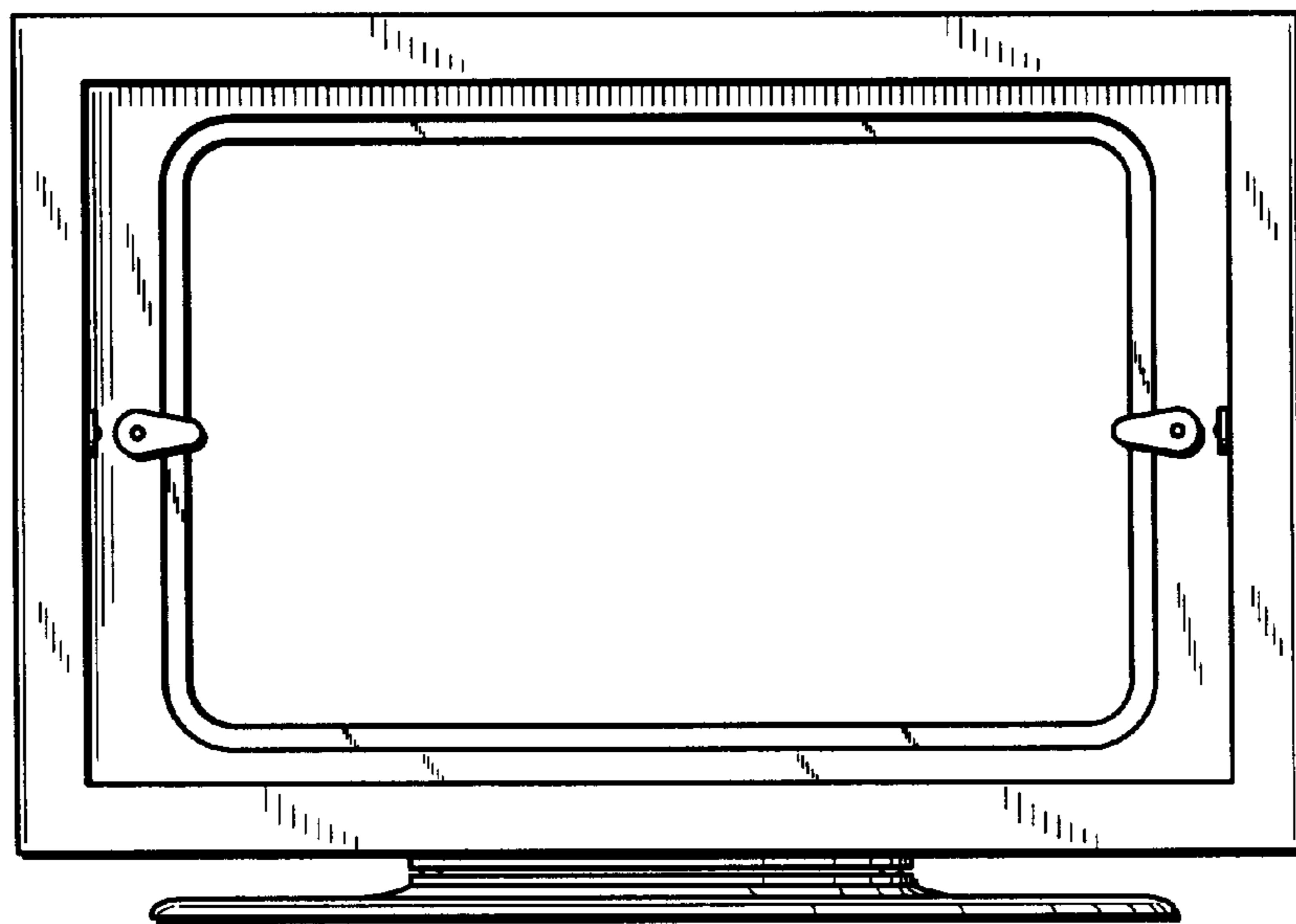


FIG. 4

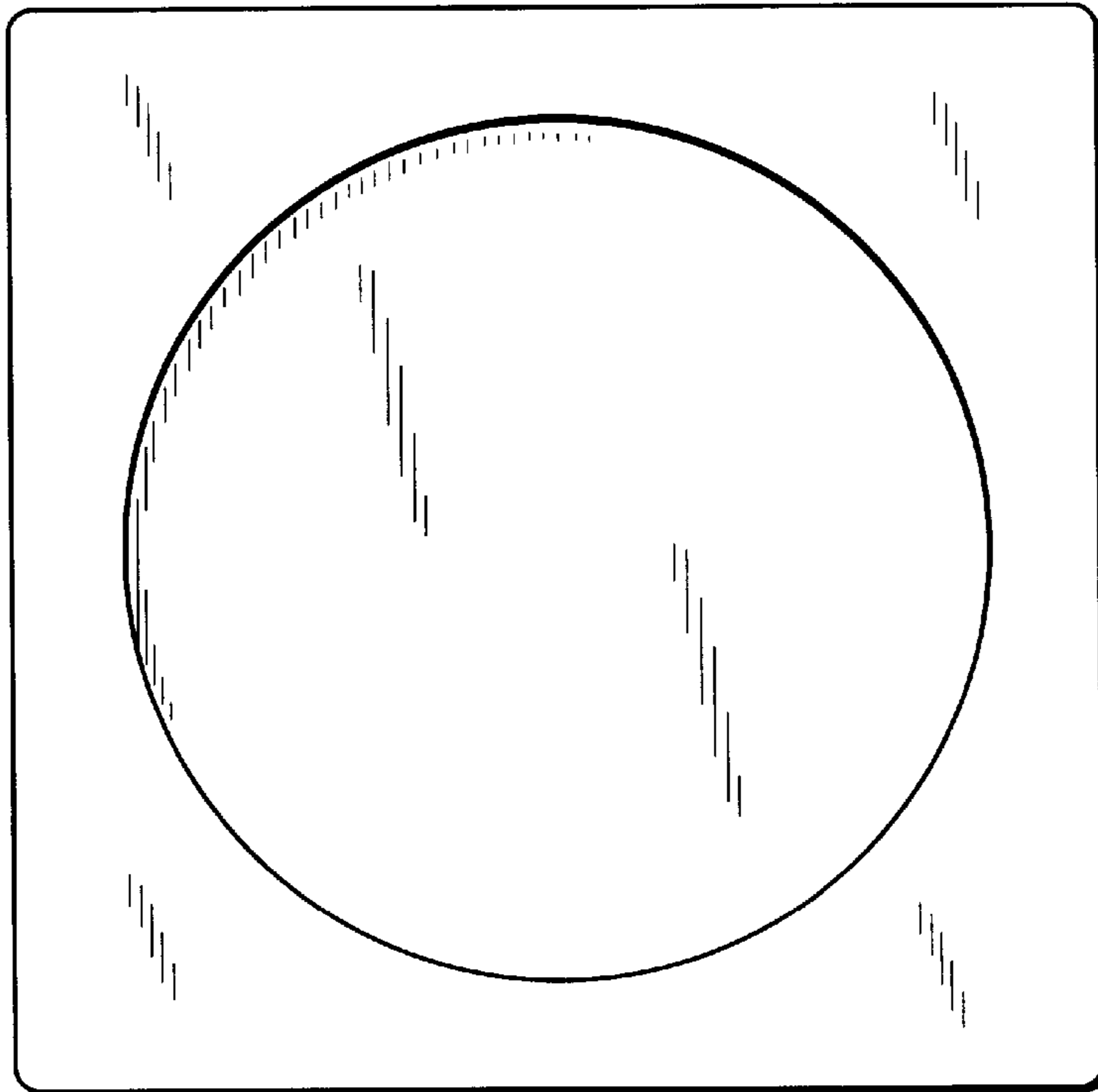


FIG. 5

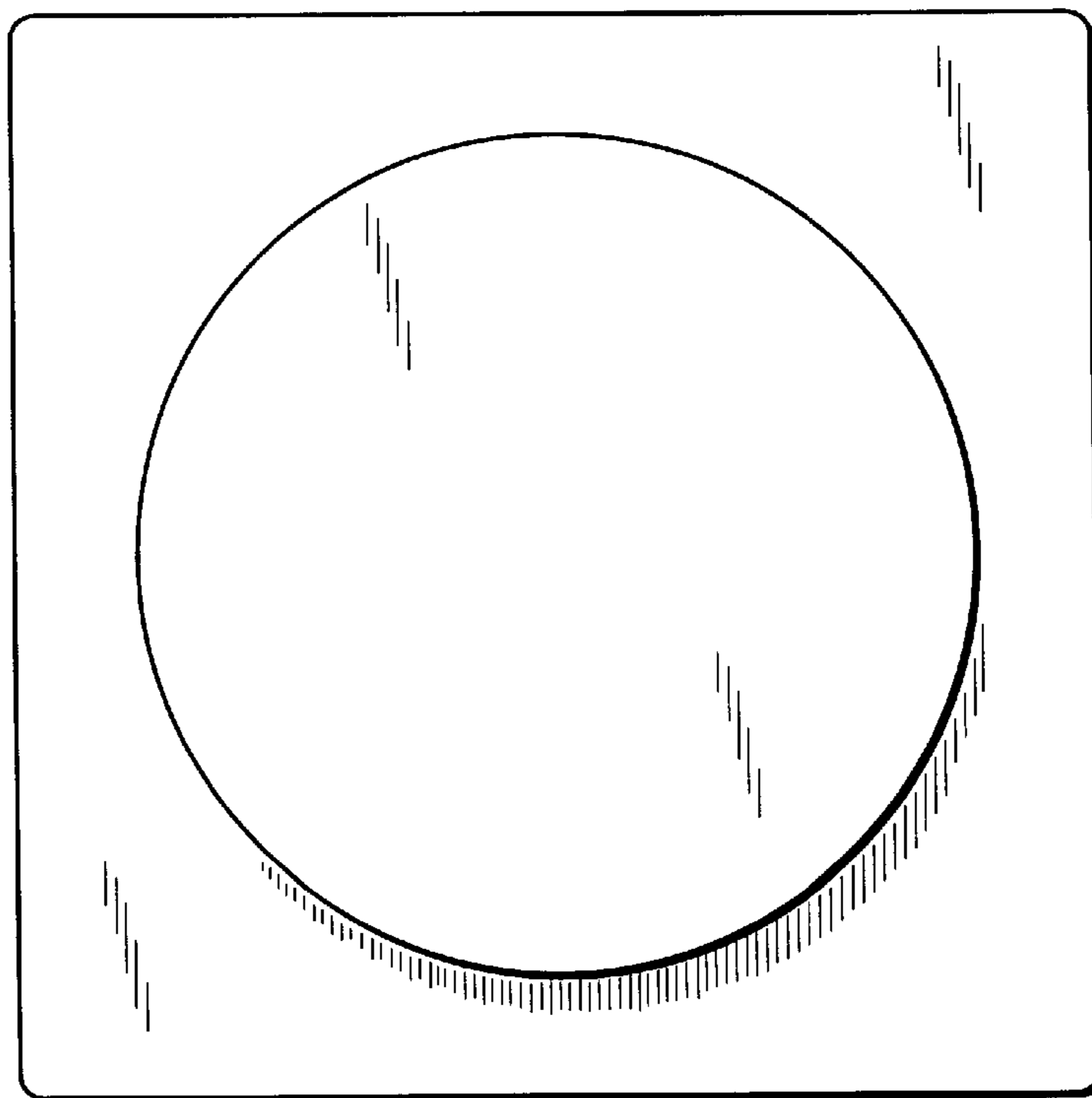


FIG. 6

