



US00D473393S

(12) **United States Design Patent**  
**Arabo**

(10) **Patent No.:** **US D473,393 S**

(45) **Date of Patent:** **\*\* Apr. 22, 2003**

(54) **BARIATRIC CHAIR**

(76) **Inventor:** **Fairuz J. Arabo**, 5372 W. Bloomfield  
Lake Rd., West Bloomfield, MI (US)  
48323

(\*\*) **Term:** **14 Years**

(21) **Appl. No.:** **29/165,554**

(22) **Filed:** **Aug. 13, 2002**

(51) **LOC (7) Cl.** ..... **06-01**

(52) **U.S. Cl.** ..... **D6/379; D6/380**

(58) **Field of Search** ..... **D6/334, 370, 374,**  
**D6/376, 379, 380, 500, 501, 502; 297/445.1,**  
**446.1**

(56) **References Cited**

**U.S. PATENT DOCUMENTS**

261,332	A	7/1882	Gallagher	
821,990	A	5/1906	Dean	
873,265	A	12/1907	Petroskey	
1,054,125	A	2/1913	Kohn	
2,633,899	A	4/1953	Armstrong	
D335,778	S	* 5/1993	Hess	..... D6/376
D349,195	S	* 8/1994	Hess	..... D6/376

D374,781	S	* 10/1996	Martin	..... D6/379
D385,425	S	* 10/1997	Goetz	..... D6/379
D407,571	S	* 4/1999	Parmar	..... D6/376
D411,925	S	* 7/1999	Frinier	..... D6/379
D434,241	S	* 11/2000	Tseng	..... D6/376
6,231,124	B1	5/2001	Goldstein	

\* cited by examiner

*Primary Examiner*—Gary D. Watson

(74) *Attorney, Agent, or Firm*—Young & Basile, PC

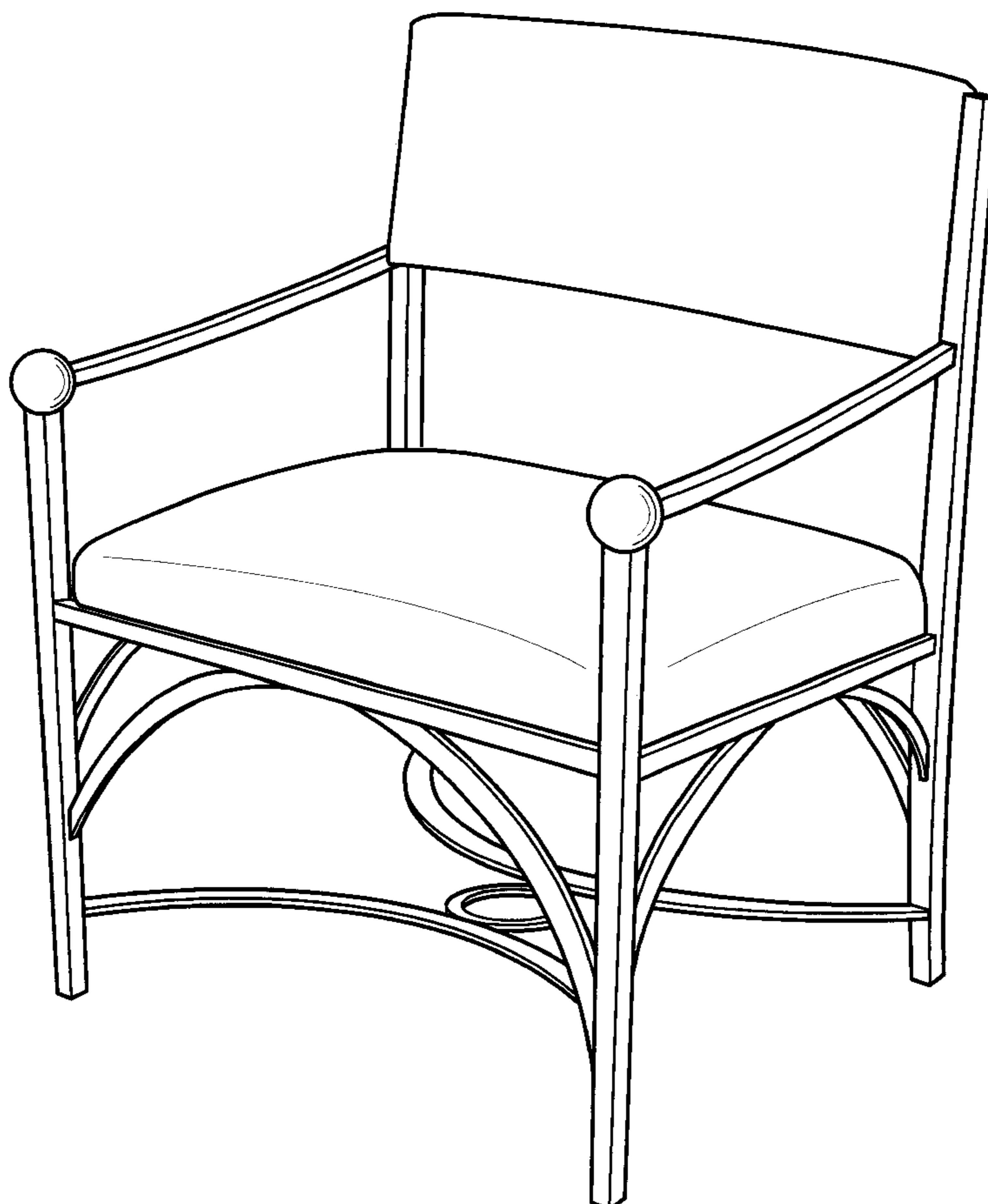
(57) **CLAIM**

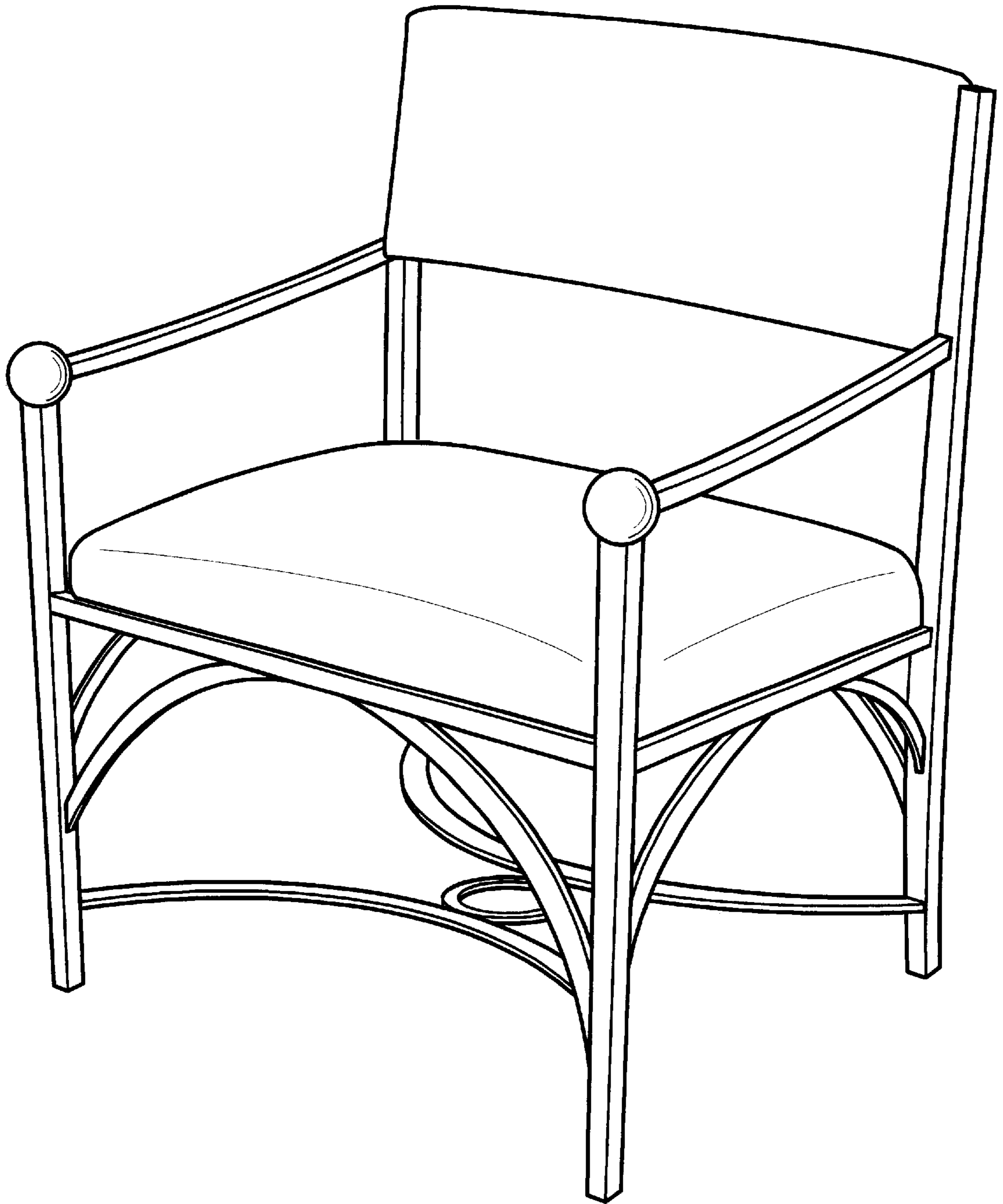
The ornamental design for a bariatric chair, as shown and described.

**DESCRIPTION**

FIG. 1 is a perspective view of the bariatric chair of my invention;  
FIG. 2 is a front elevational view thereof;  
FIG. 3 is a rear elevational view thereof;  
FIG. 4 is a top plan view thereof;  
FIG. 5 is a bottom plan view thereof; and,  
FIG. 6 is a right-side elevational view thereof, the left-side being a mirror image thereof.

**1 Claim, 4 Drawing Sheets**





**FIG - 1**

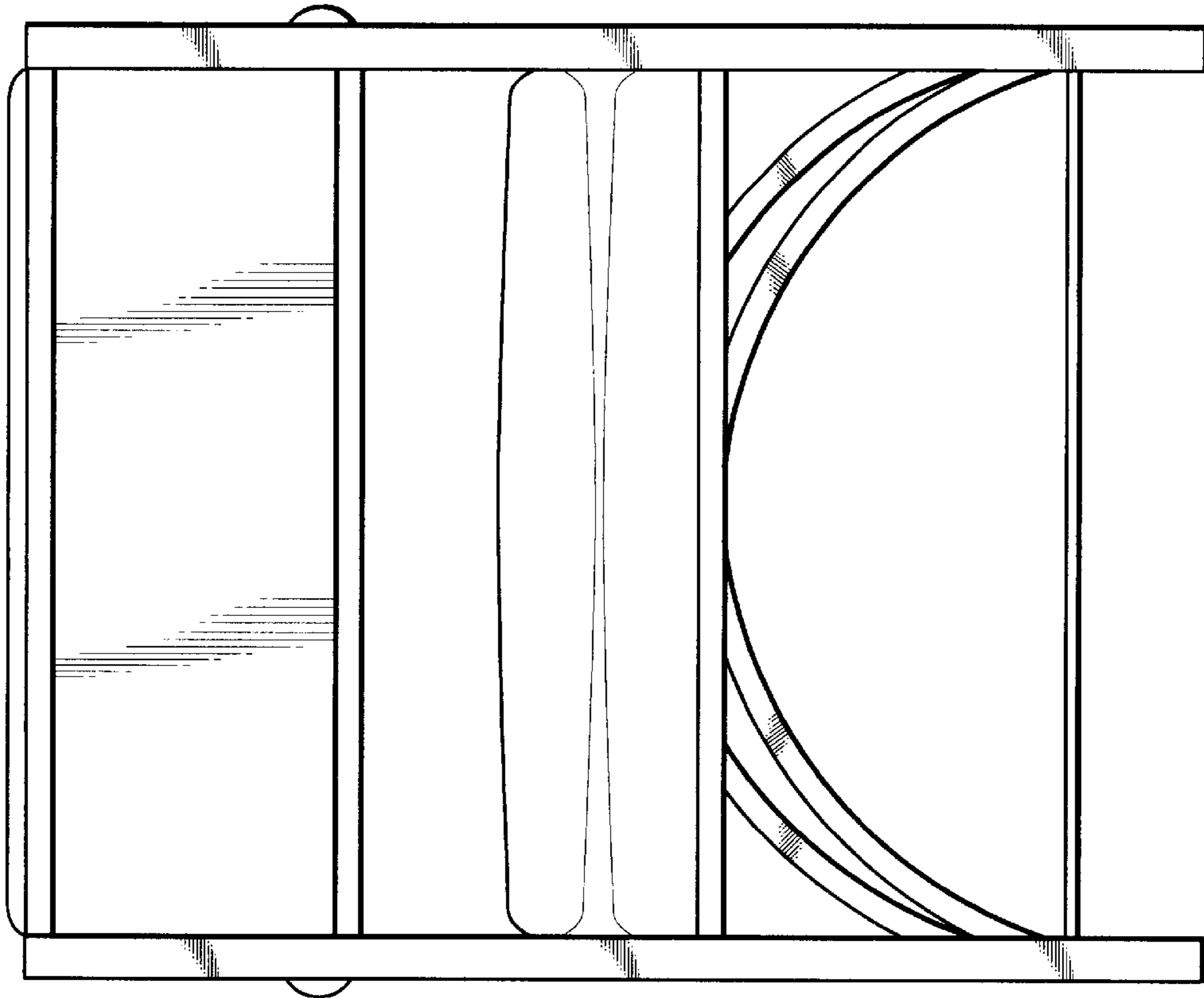


FIG - 3

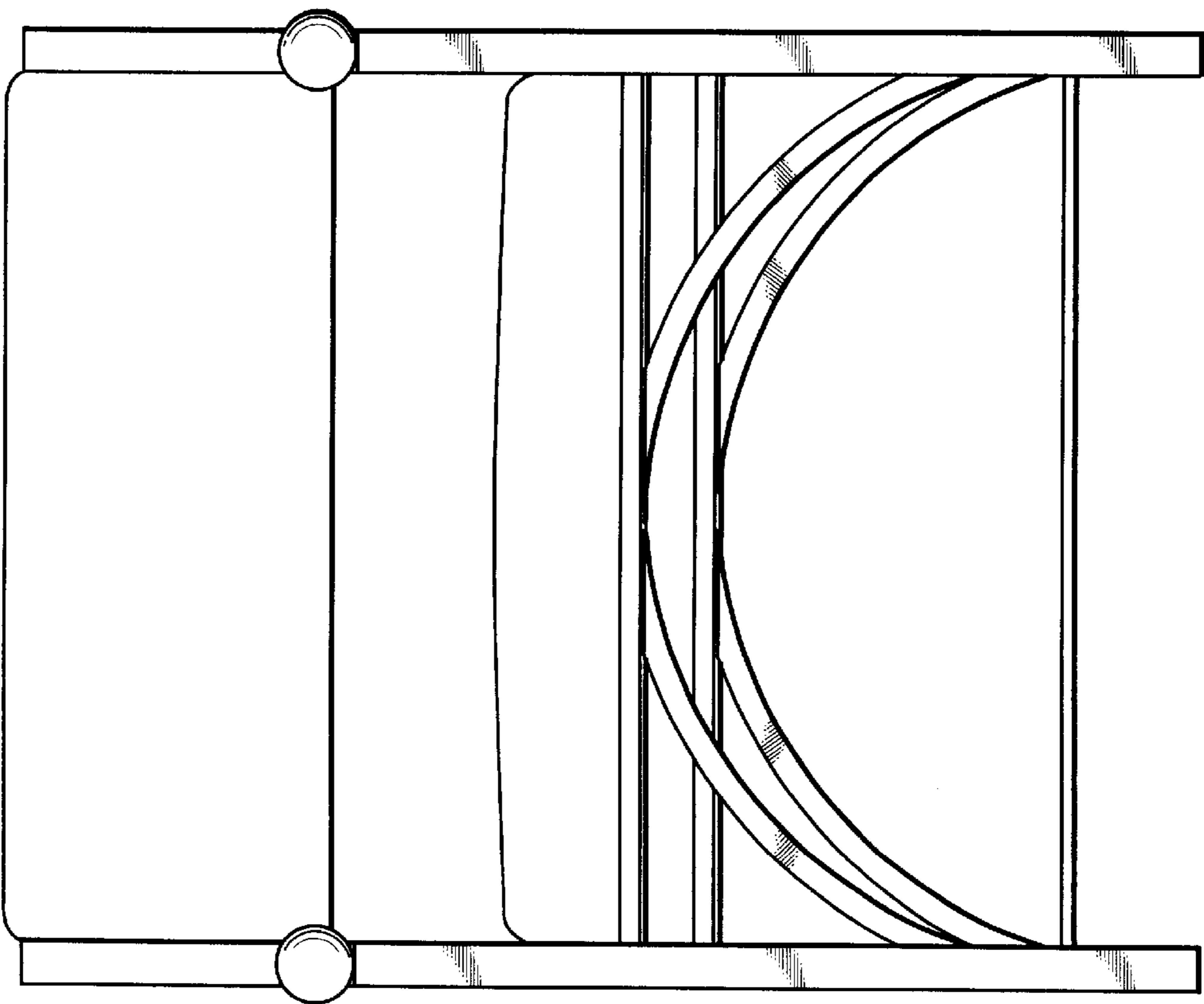


FIG - 2

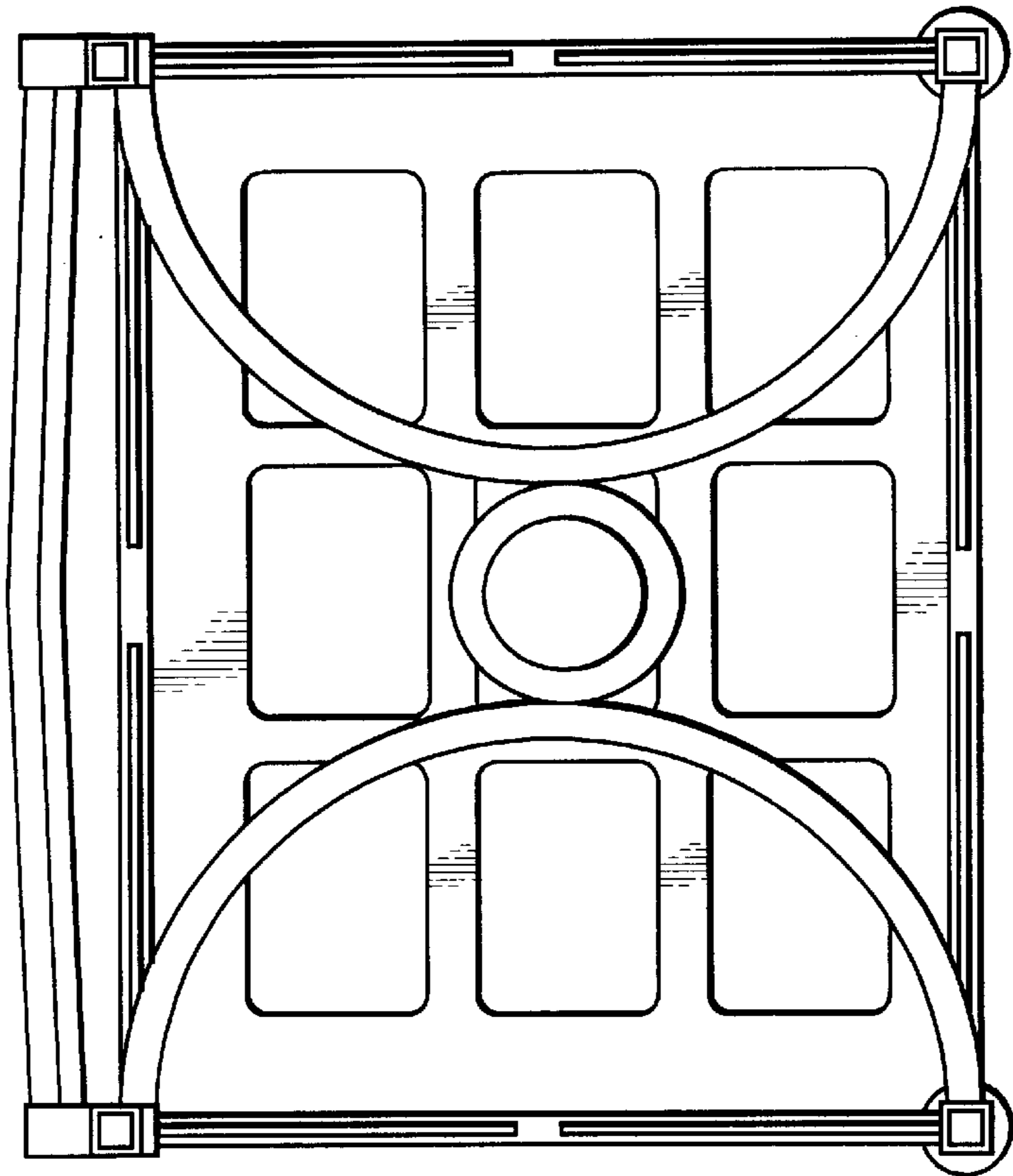


FIG - 5

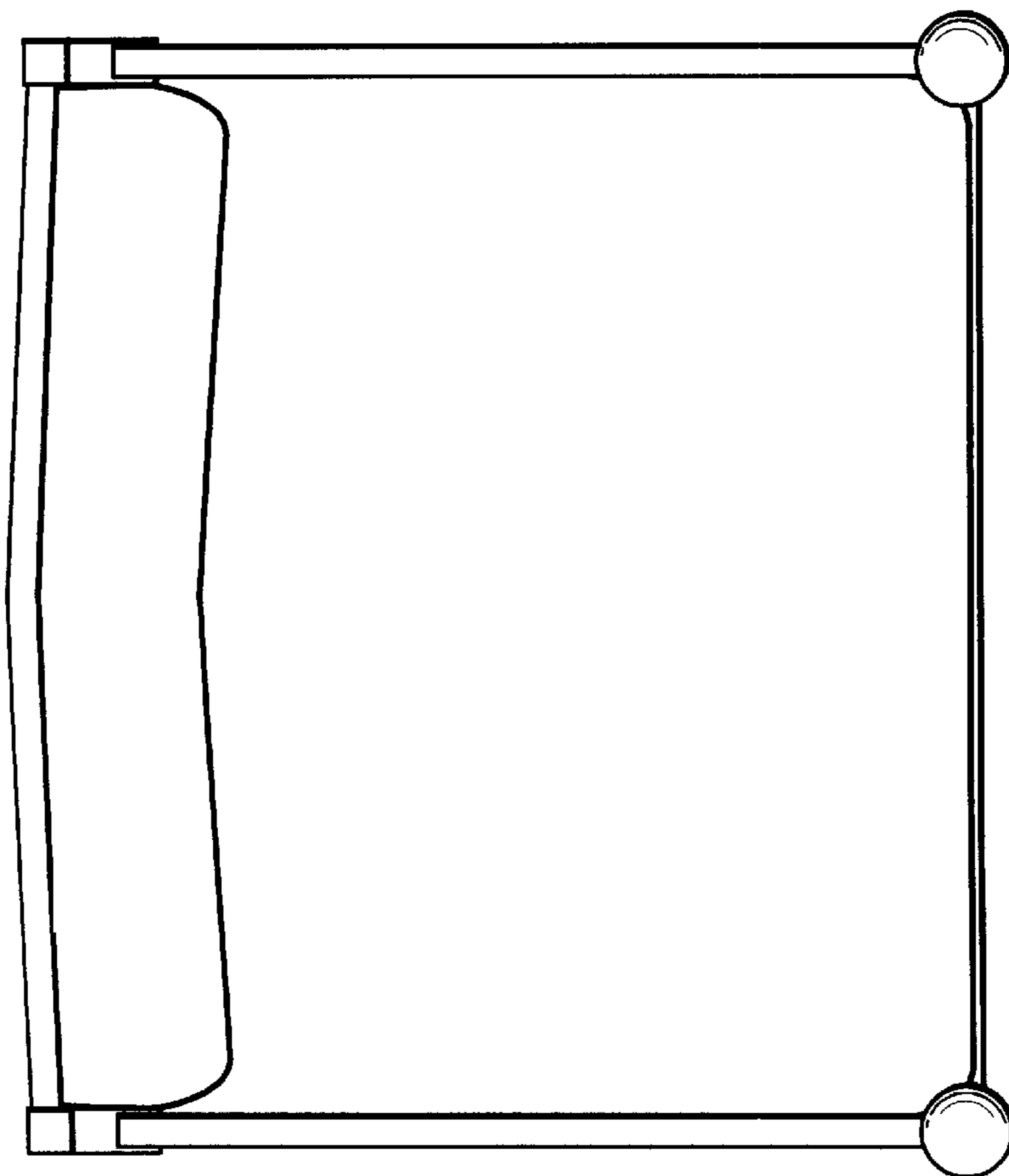
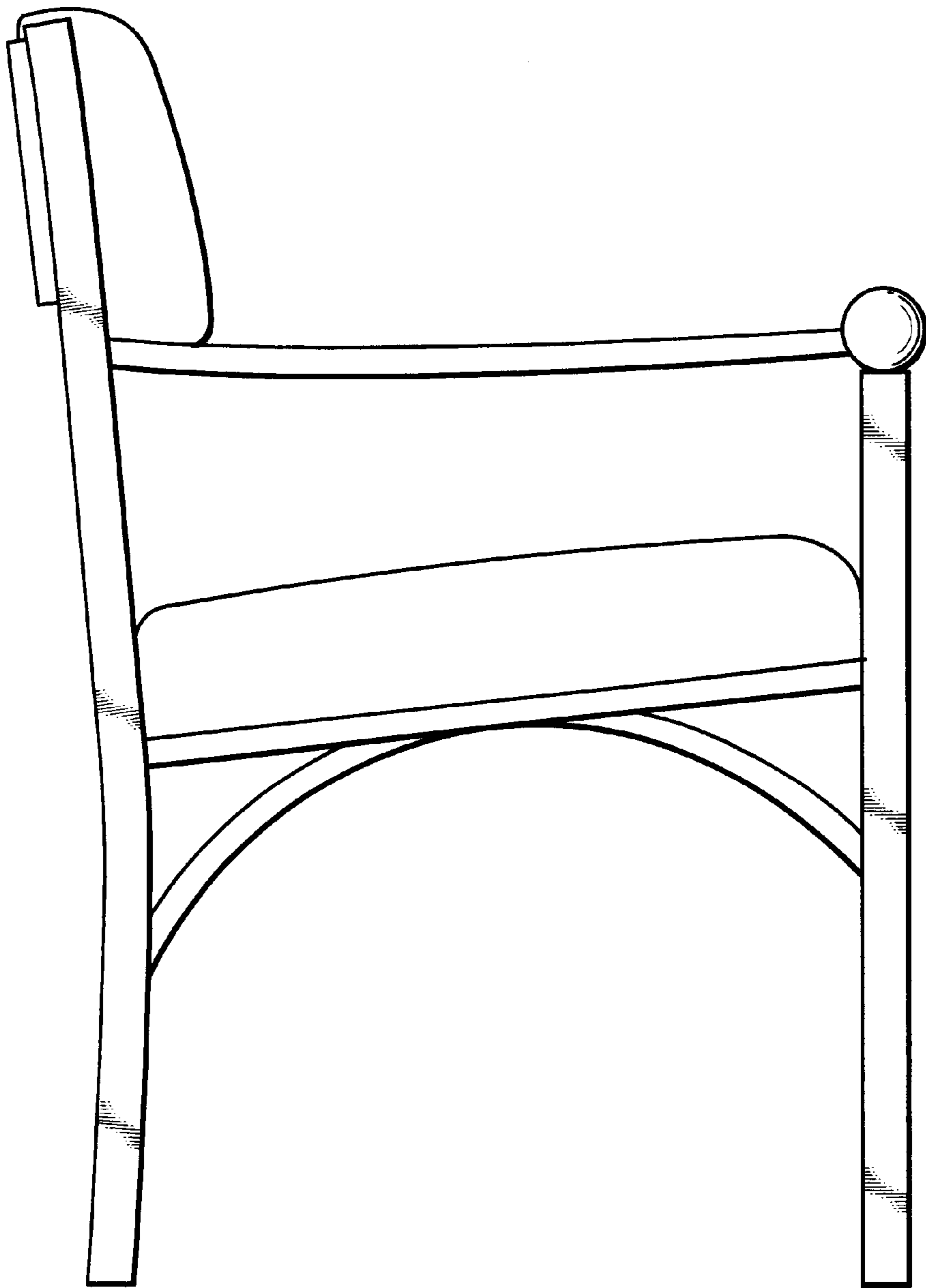


FIG - 4



**FIG - 6**