



US00D473391S

(12) **United States Design Patent**  
**Haney et al.**

(10) **Patent No.:** **US D473,391 S**

(45) **Date of Patent:** **\*\* Apr. 22, 2003**

(54) **STATIONARY GARDEN BENCH**

**FOREIGN PATENT DOCUMENTS**

(75) Inventors: **Thayne B. Haney**, Syracuse, UT (US);  
**Kent Ashby**, Logan, UT (US)

GB 756188 1/1955

**OTHER PUBLICATIONS**

(73) Assignee: **Lifetime Products, Inc.**, Clearfield, UT (US)

Jack-Post Outdoor Furniture/Outdoor Products/Building Product Brochure, 1989.

(\*\*) Term: **14 Years**

\* cited by examiner

(21) Appl. No.: **29/160,302**

*Primary Examiner*—Gary D. Watson

(22) Filed: **May 8, 2002**

(74) *Attorney, Agent, or Firm*—Workman, Nydegger & Seeley

(51) **LOC (7) Cl.** ..... **06-01**

(52) **U.S. Cl.** ..... **D6/370; D6/381**

(58) **Field of Search** ..... D6/334, 335, 370,  
D6/374, 376, 379, 380, 381, 500, 501,  
502; 297/232, 445.1, 446.1, 452.63

(57) **CLAIM**

The ornamental design for a stationary garden bench, as shown and described.

(56) **References Cited**

**DESCRIPTION**

**U.S. PATENT DOCUMENTS**

D273,444 S	*	4/1984	Harper, Jr. et al.	.....	D6/370
D313,515 S	*	1/1991	Wood	.....	D6/380
D325,304 S	*	4/1992	Grosfillex	.....	D6/370
D335,971 S	*	6/1993	Hess	.....	D6/379
D342,629 S	*	12/1993	Tseng	.....	D6/370
D369,922 S	*	5/1996	Kirn et al.	.....	D6/381
D385,425 S	*	10/1997	Goetz	.....	D6/379
D419,004 S		1/2000	Collins		
D423,801 S		5/2000	Noll		
D425,718 S	*	5/2000	van Valderen	.....	D6/370
D434,573 S		12/2000	Noll		
D439,068 S	*	3/2001	Vanderbyl	.....	D6/379
D457,339 S	*	5/2002	Liu	.....	D6/370
D457,342 S	*	5/2002	Muller	.....	D6/370

FIG. 1 is a perspective view of a stationary garden bench in accordance with a preferred embodiment of the present invention;

FIG. 2 is a front view of the stationary garden bench shown in FIG. 1;

FIG. 3 is a back view of the stationary garden bench shown in FIG. 1;

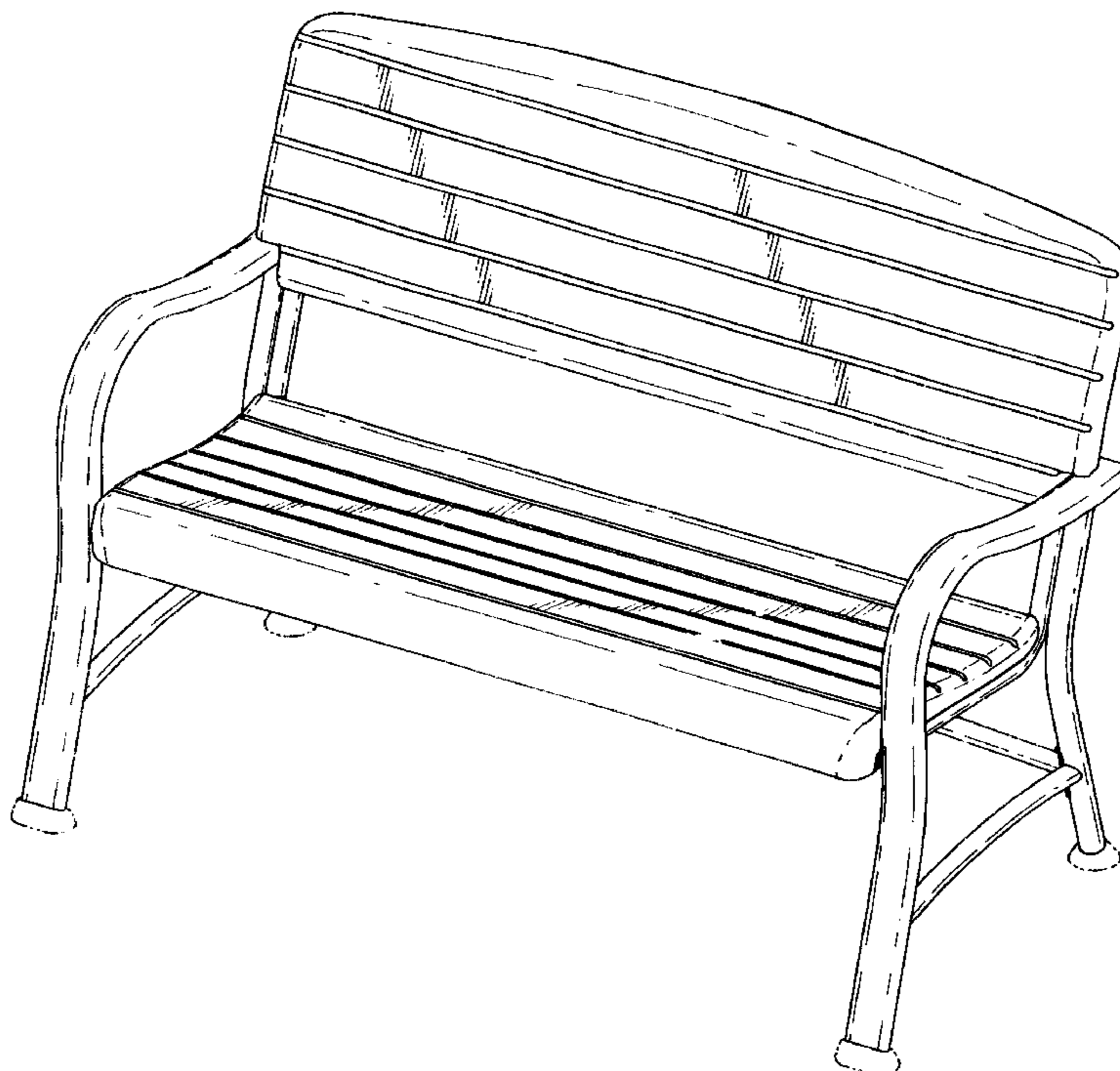
FIG. 4 is a left side view of the stationary garden bench shown in FIG. 1, with the right side view being a mirror image thereof;

FIG. 5 is a top view of the stationary garden bench shown in FIG. 1; and,

FIG. 6 is a bottom plan view of the stationary garden bench shown in FIG. 1.

The broken line showing of feet in all views is for illustrative purposes only and forms no part of the claimed design.

**1 Claim, 3 Drawing Sheets**



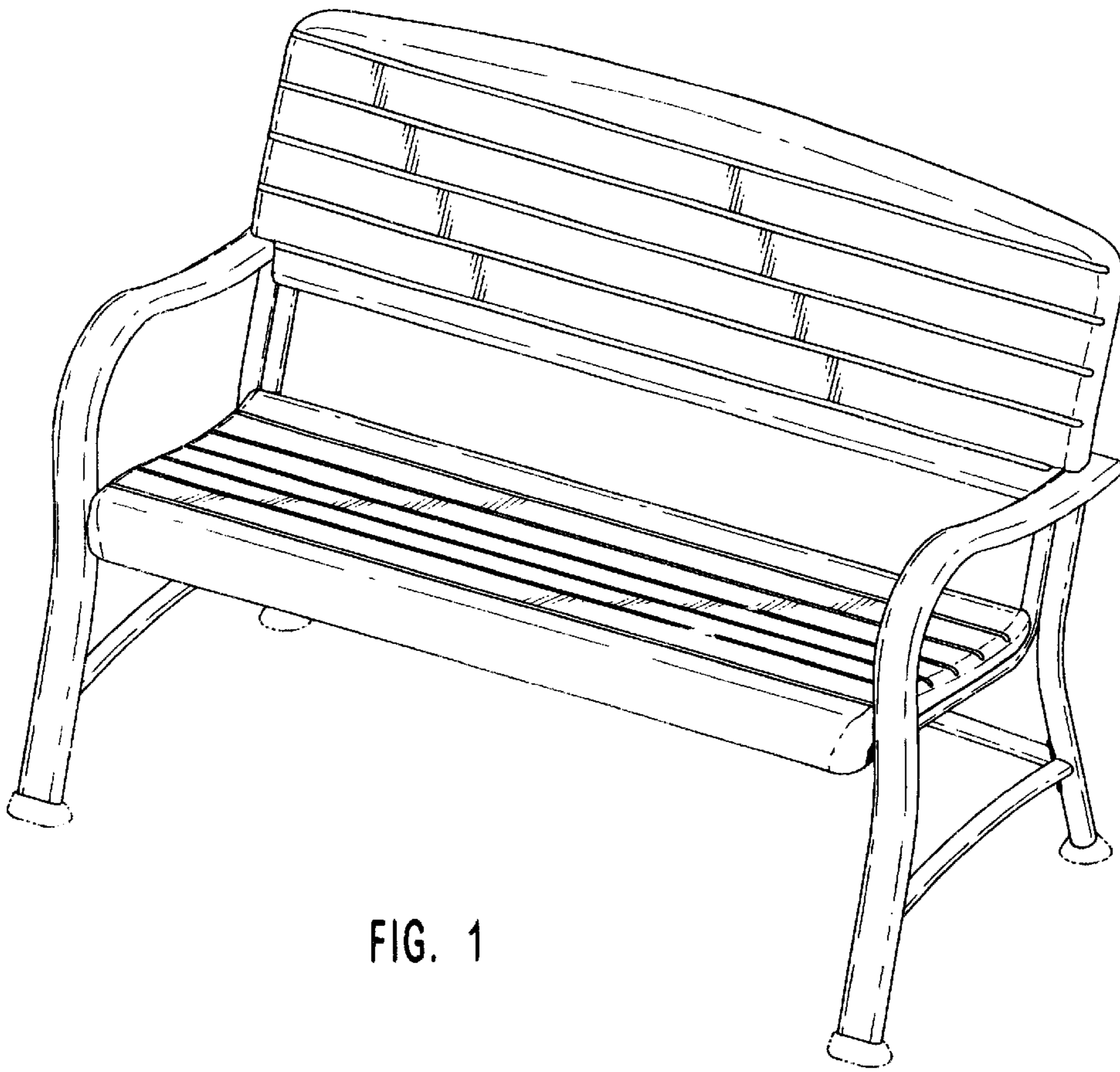


FIG. 1

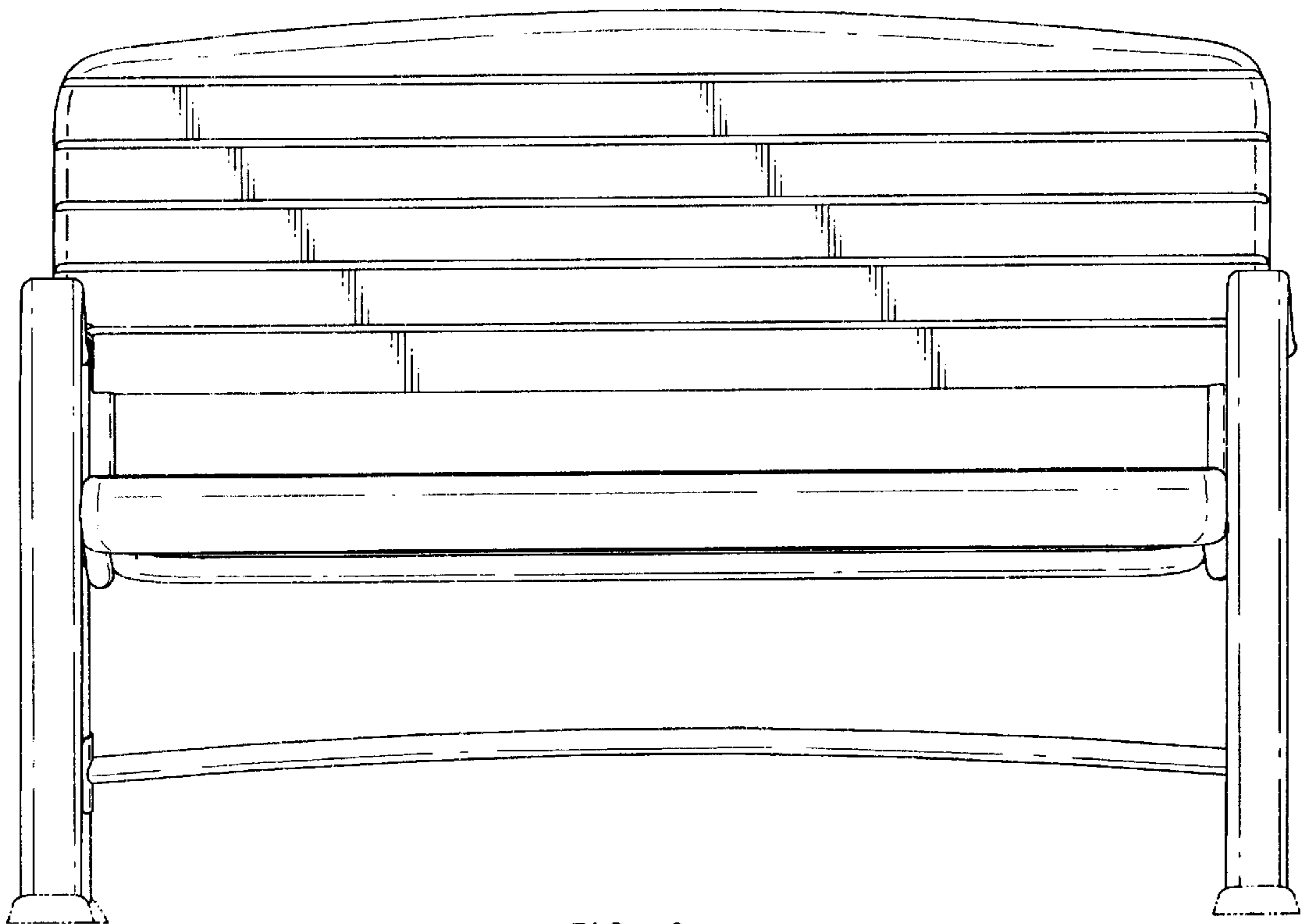


FIG. 2

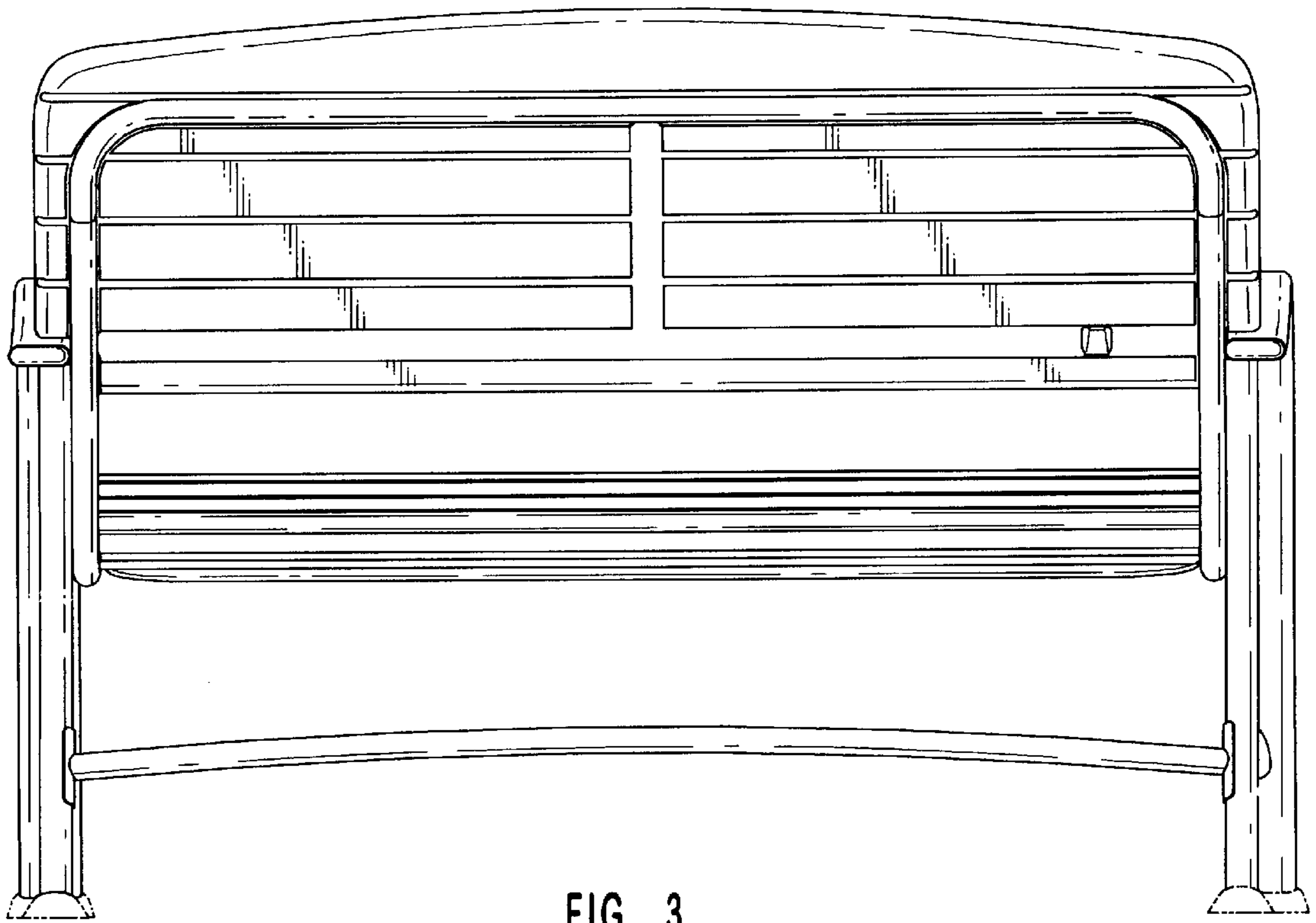


FIG. 3

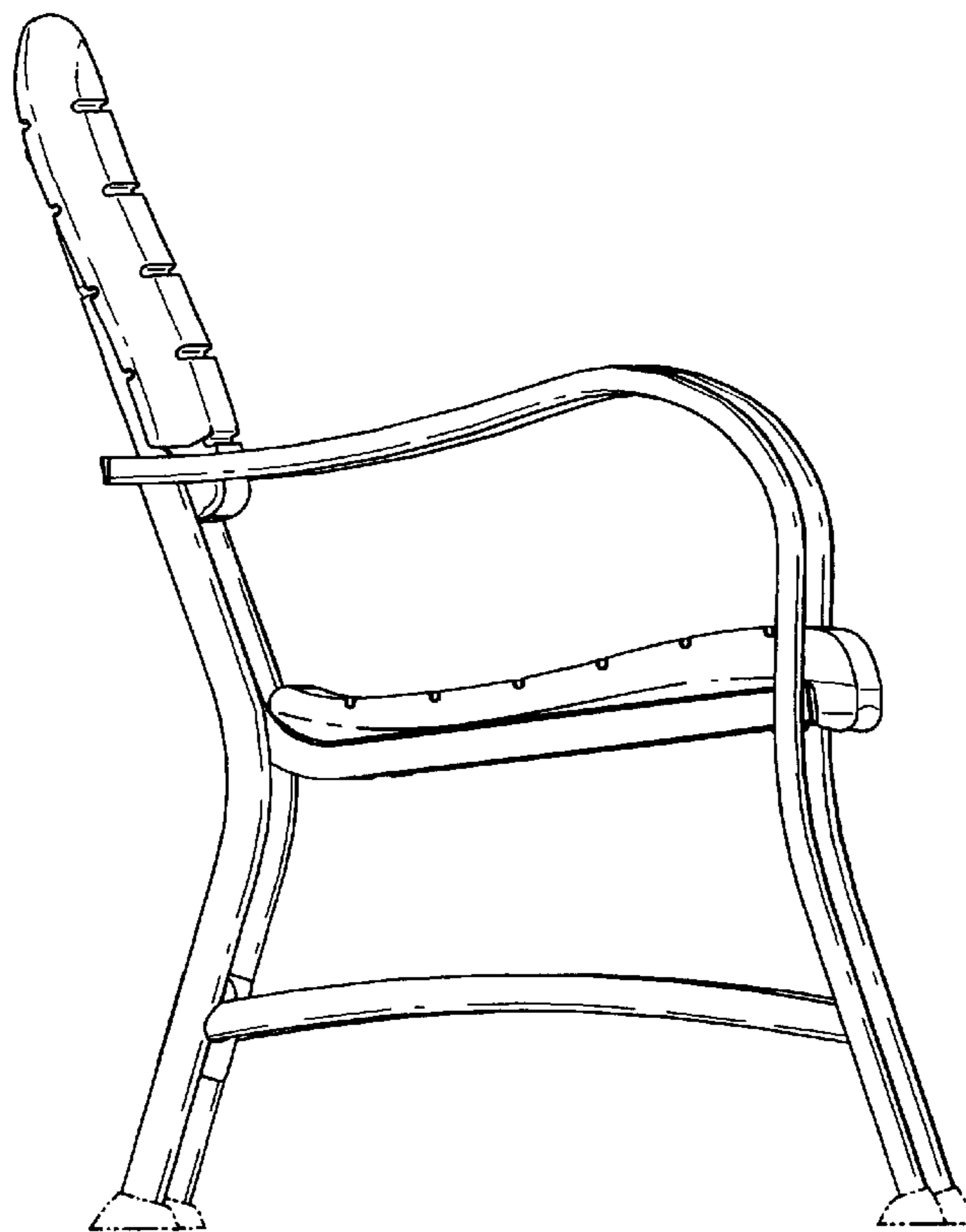


FIG. 4

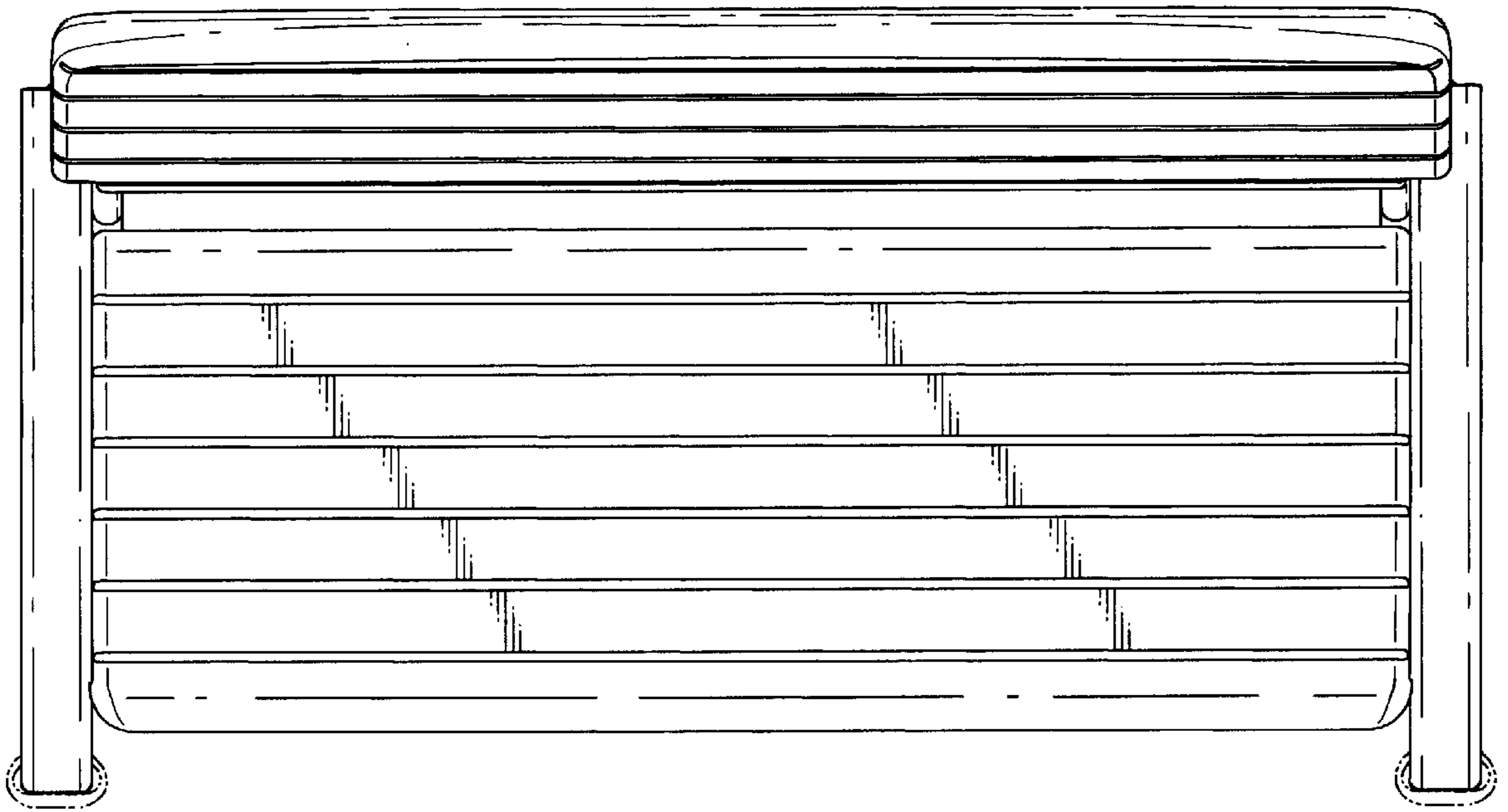


FIG. 5

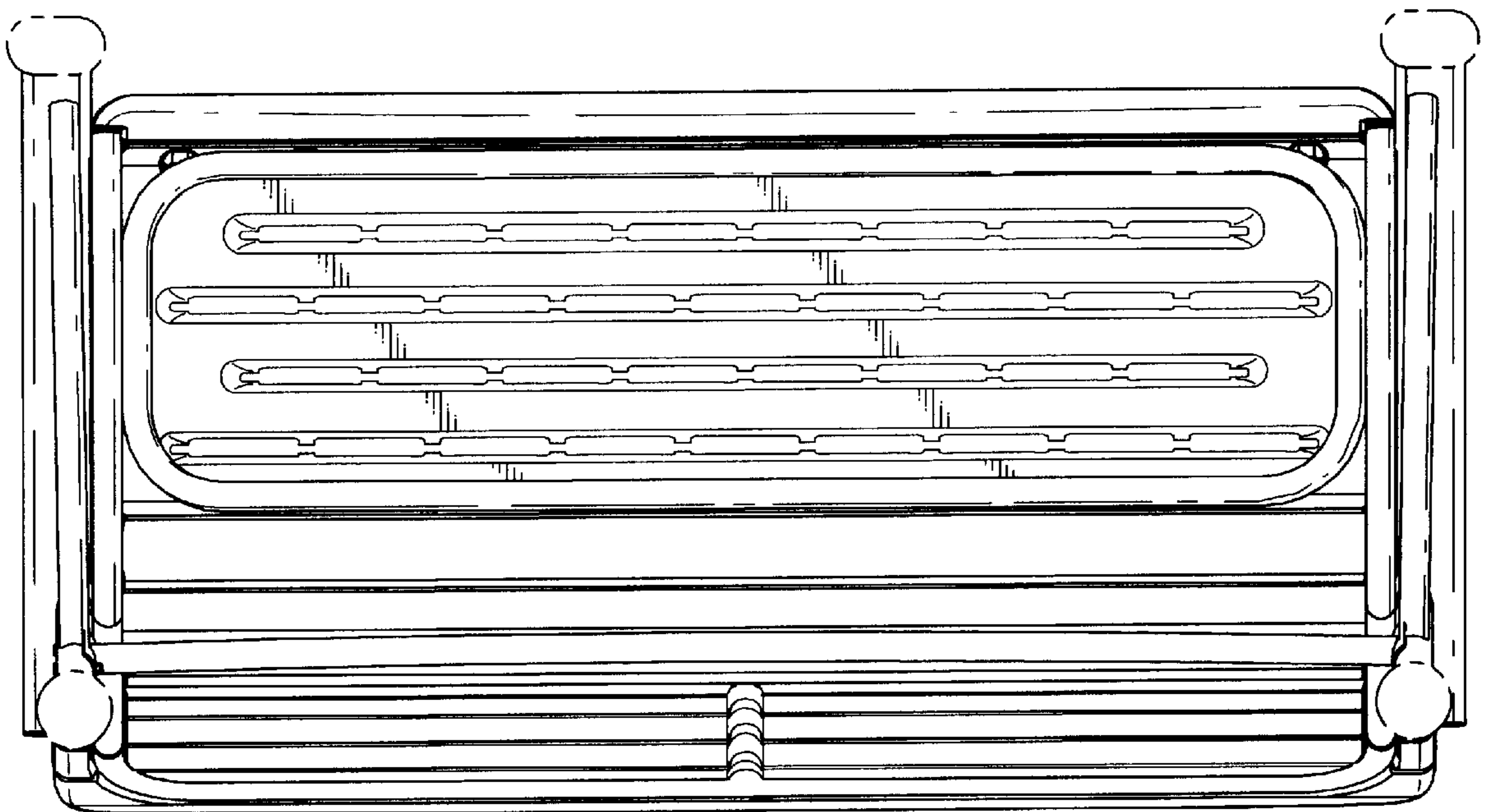


FIG. 6