



US00D473390S

(12) **United States Design Patent**
Hannon et al.

(10) **Patent No.:** **US D473,390 S**

(45) **Date of Patent:** **** Apr. 22, 2003**

(54) **STADIUM SEAT**

JP 11-178669 7/1999
JP 11-225843 8/1999

(75) Inventors: **Kevin Michael Hannon**, Blaxland (AU); **Philip Duncan Loader**, Kearns (AU)

OTHER PUBLICATIONS

International Search Report, Date Mailed. Feb. 14, 2002 (A-C).

(73) Assignee: **Viscount Plastics (NSW) Ltd.** (AU)

* cited by examiner

(**) Term: **14 Years**

Primary Examiner—Caron D. Veynar

Assistant Examiner—Mimosa De

(21) Appl. No.: **29/156,855**

(74) *Attorney, Agent, or Firm*—Nixon Peabody LLP; Jeffrey L. Costellia

(22) Filed: **Mar. 11, 2002**

(30) **Foreign Application Priority Data**

(57) **CLAIM**

Sep. 11, 2001 (AU) 9-2862/2001

The ornamental design for a stadium seat, as shown and described.

(51) **LOC (7) Cl.** **06-01**

DESCRIPTION

(52) **U.S. Cl.** **D6/368**

(58) **Field of Search** D6/334, 335, 336, D6/362, 364, 368, 374, 375, 500-502; 297/331, 335

FIG. 1 is an upper perspective view of a stadium seat showing my design;

FIG. 2 is a lower perspective view thereof;

FIG. 3 is a frontal view thereof;

FIG. 4 is a side view thereof, the other side being a mirror image;

(56) **References Cited**

U.S. PATENT DOCUMENTS

141,457 A * 8/1873 Nolan 297/331
3,077,364 A * 2/1963 Eppink 297/335
D386,320 S * 11/1997 King D6/368
D414,349 S * 9/1999 Jenkins et al. D6/366
D442,400 S * 5/2001 Simons, Jr. et al. D6/500
D442,790 S * 5/2001 Simons, Jr. et al. D6/366

FIG. 5 is a rear view thereof;

FIG. 6 is a top view thereof;

FIG. 7 is a bottom view thereof;

FIG. 8 is a side view of the stadium seat as shown in FIG. 4 with the seat in a 3/4 folded configuration;

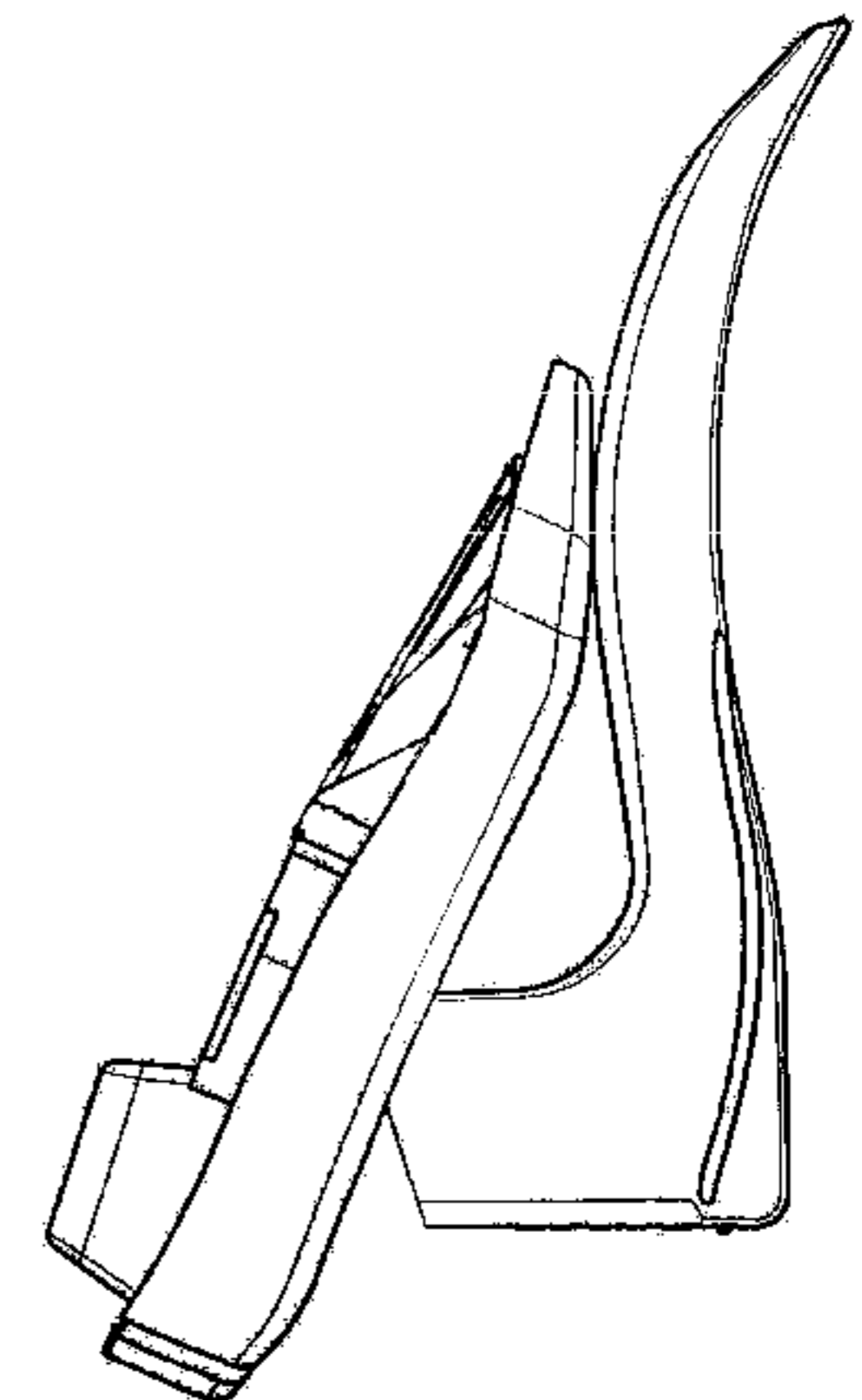
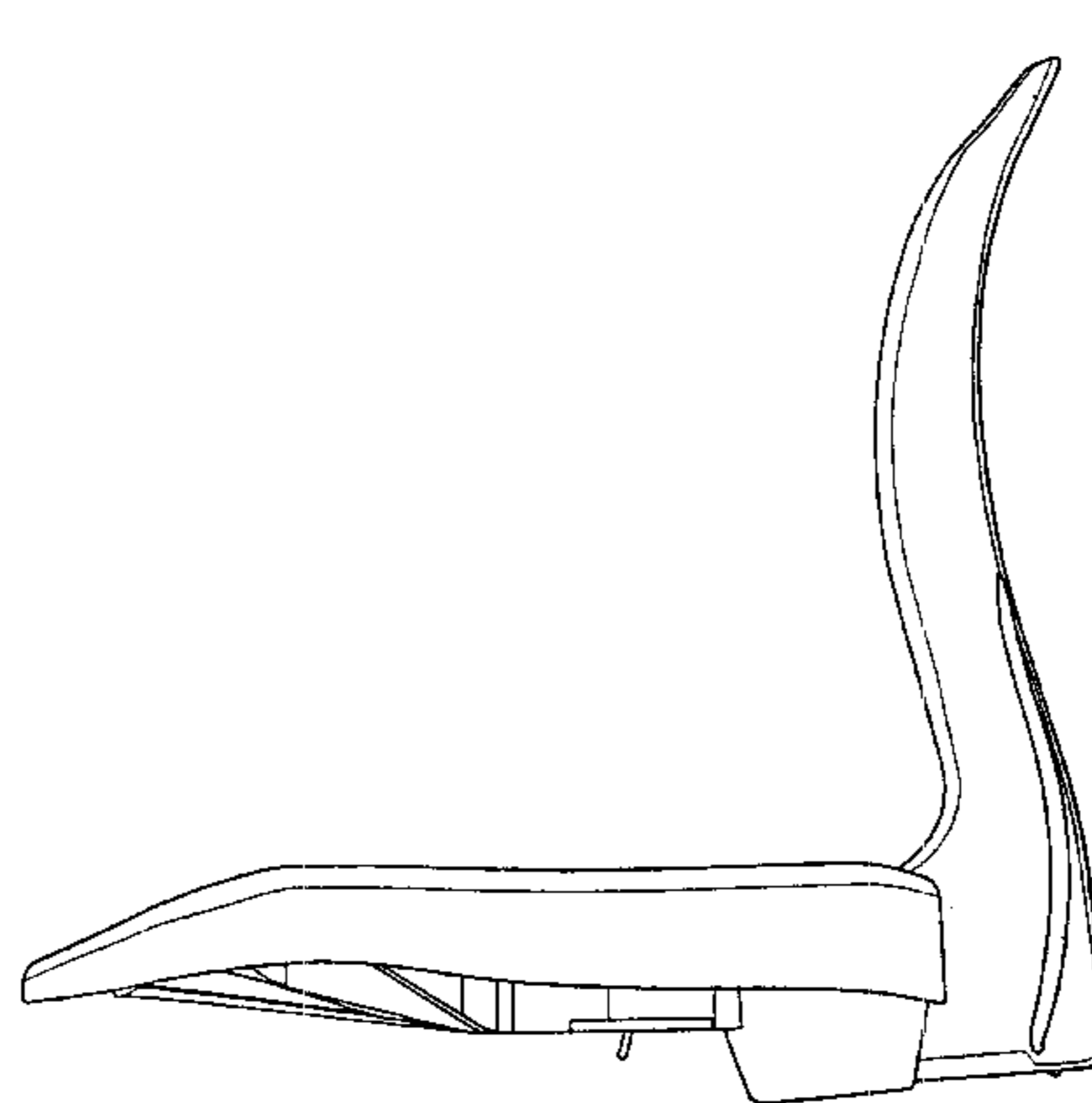
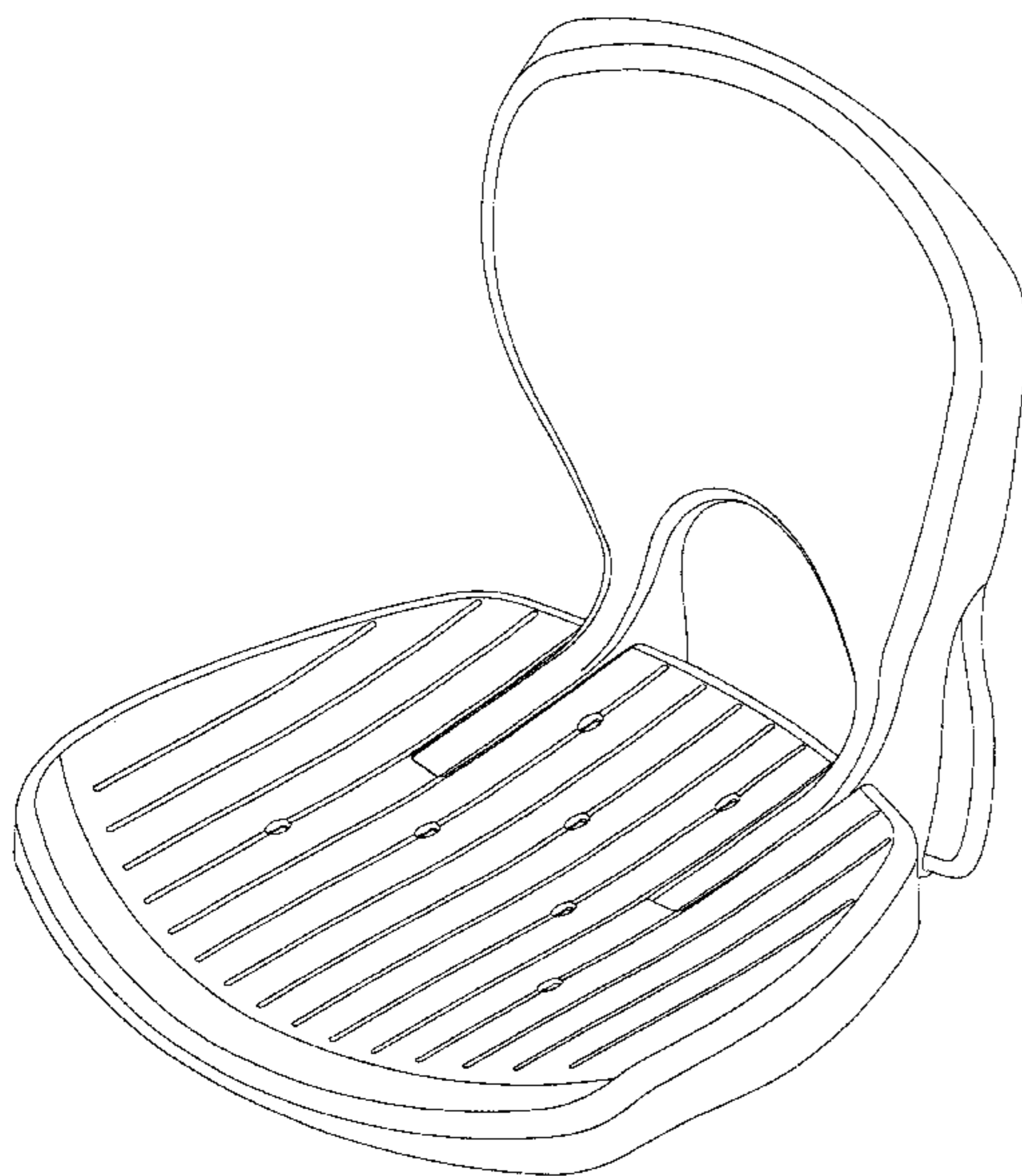
FIG. 9 is a side view of the stadium seat as shown in FIG. 4 with the seat in a vertically folded configuration; and,

FIG. 10 is a side view of the stadium seat as shown in FIG. 4 with the seat in a fully folded configuration.

FOREIGN PATENT DOCUMENTS

DE 200 07 090 6/2000
JP 08-299094 11/1996
JP 11-123125 5/1999

1 Claim, 9 Drawing Sheets



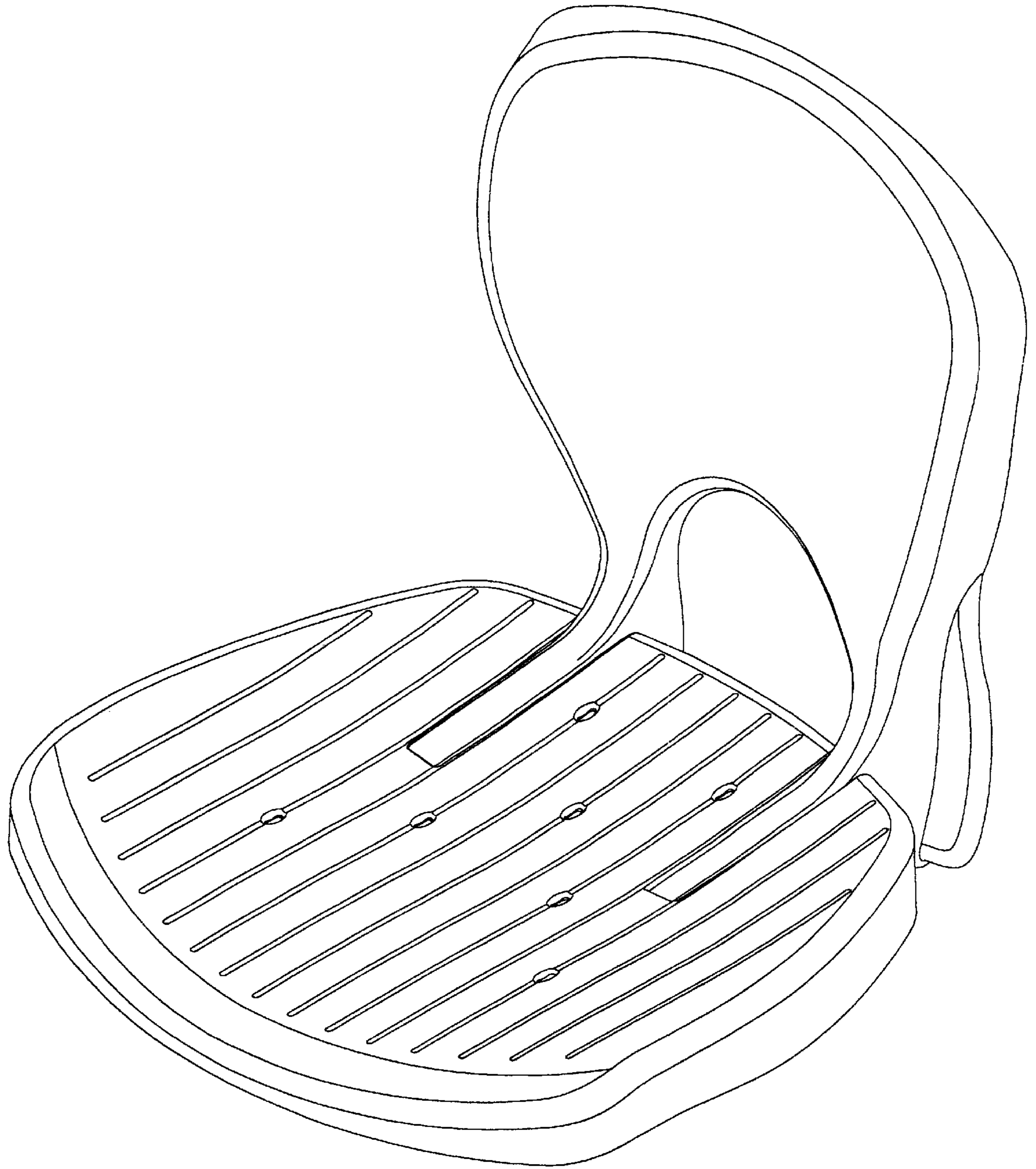


FIG. 1

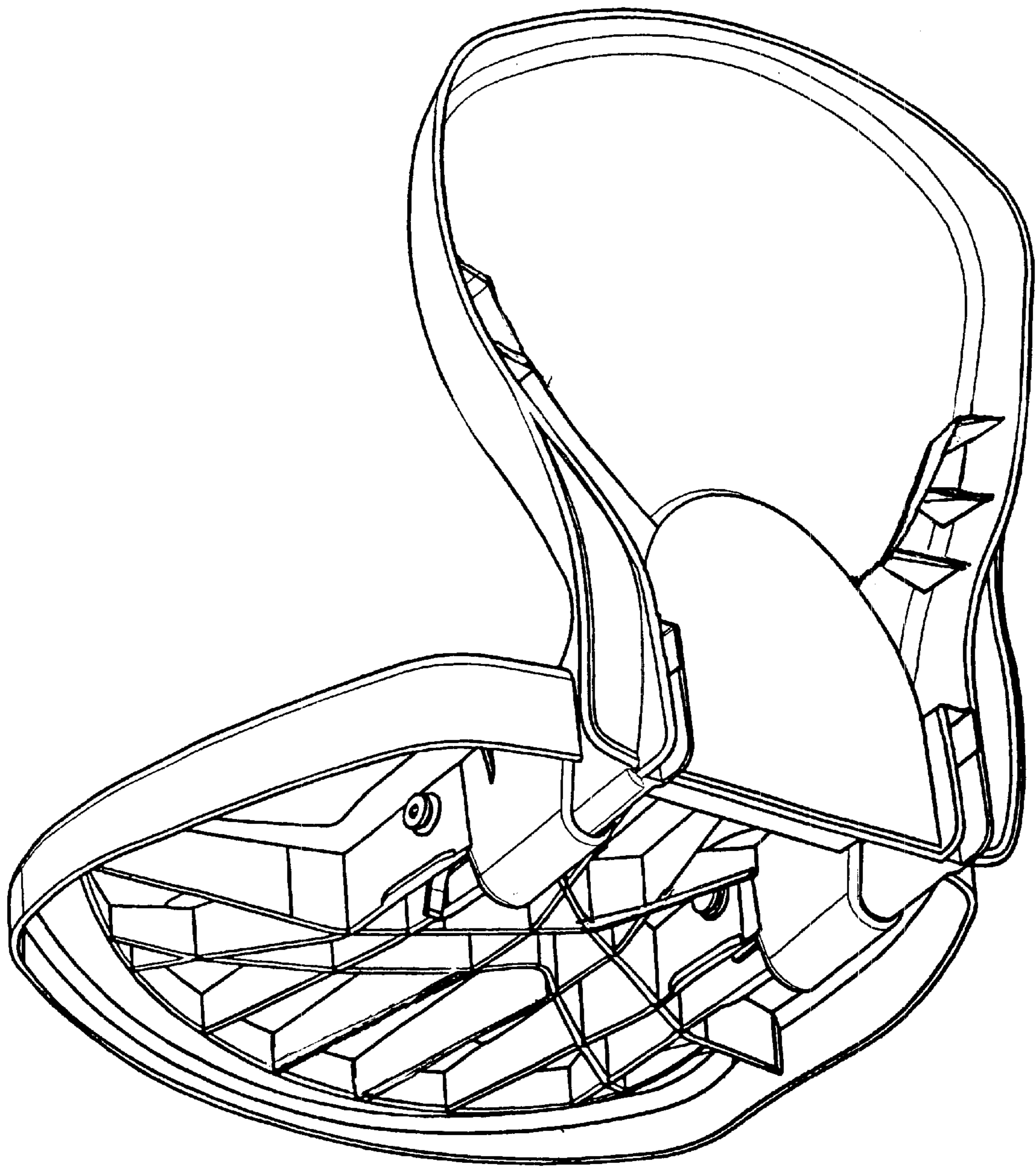


FIG. 2

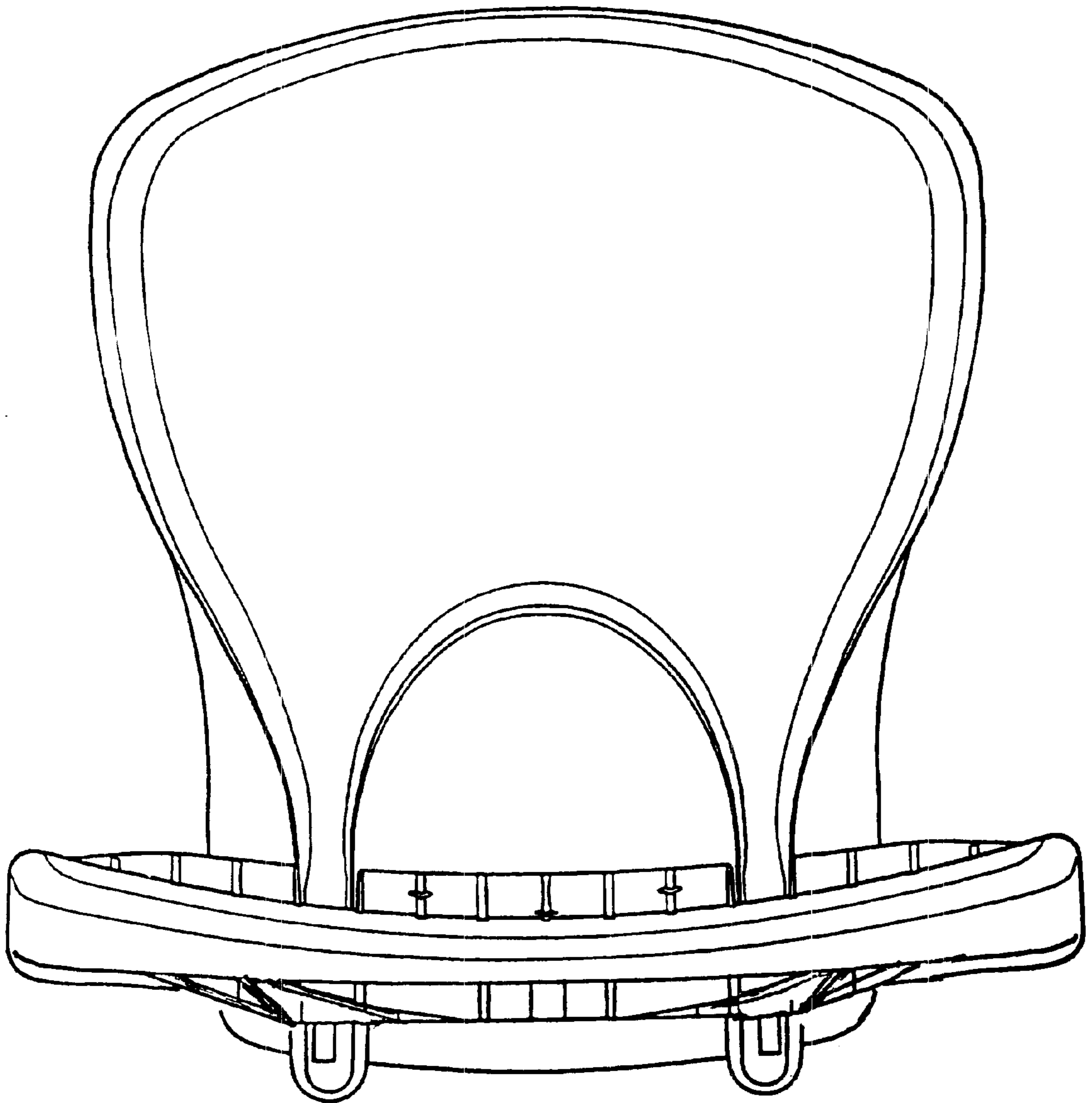


FIG. 3

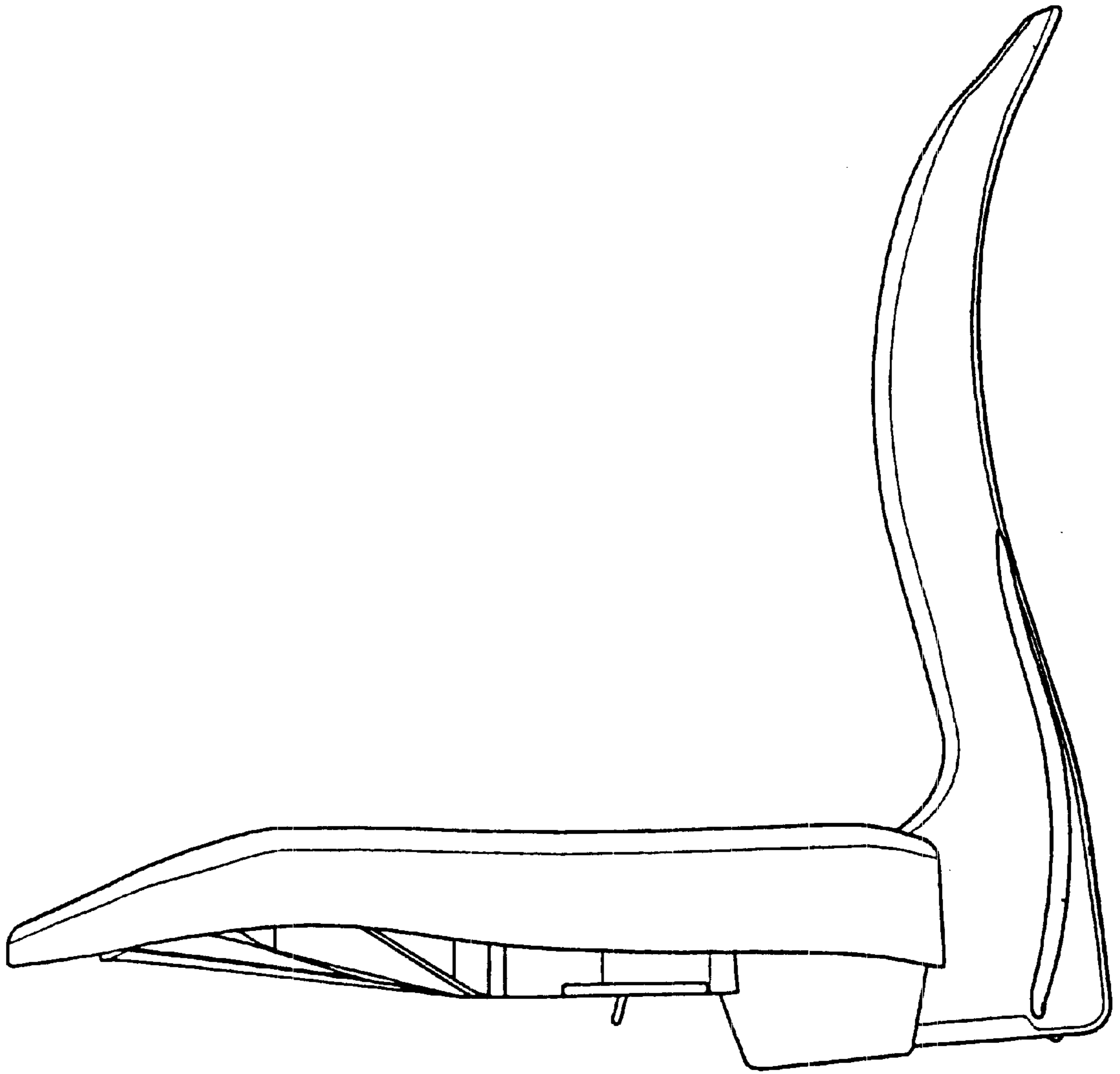


FIG. 4

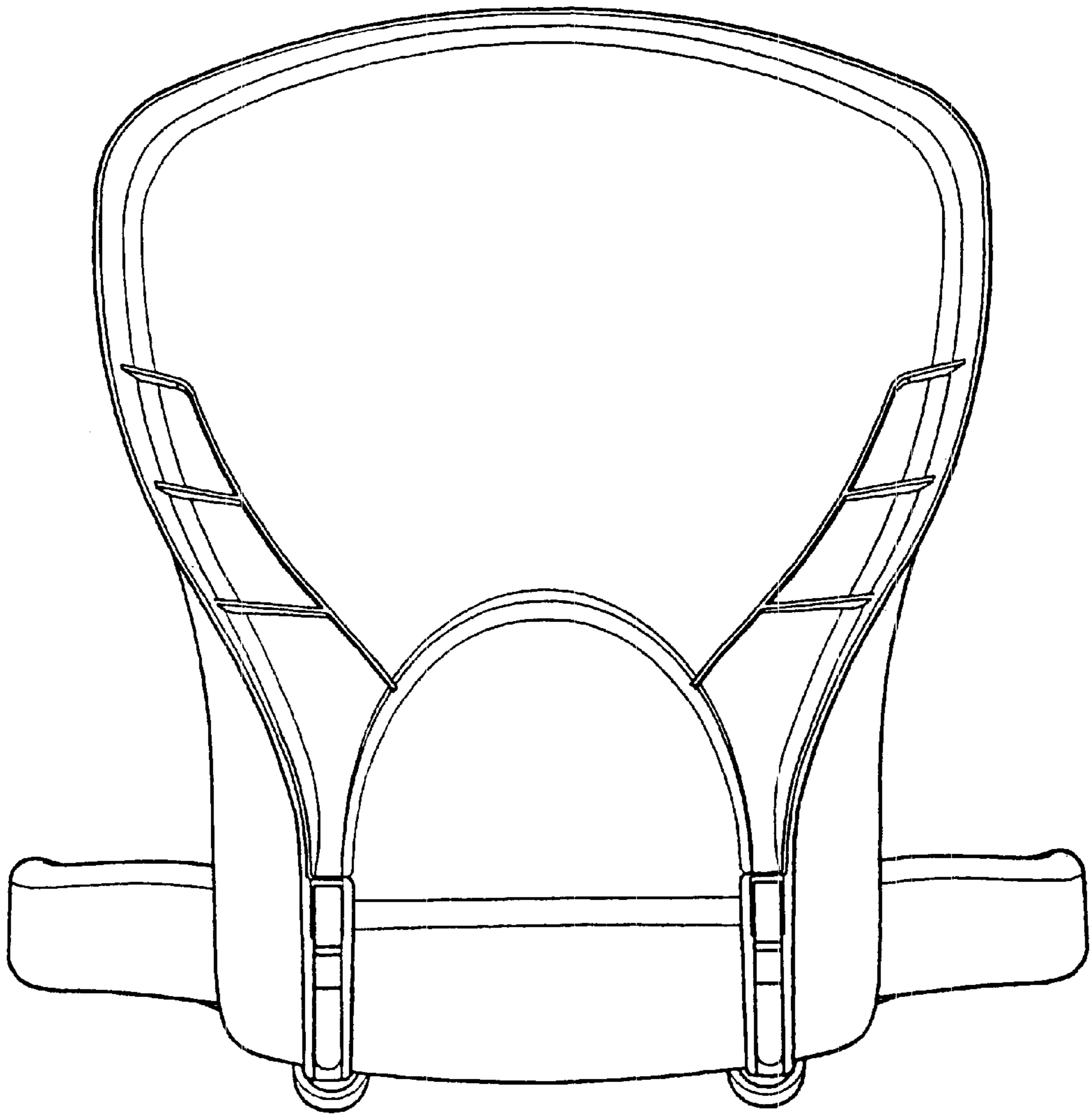


FIG. 5

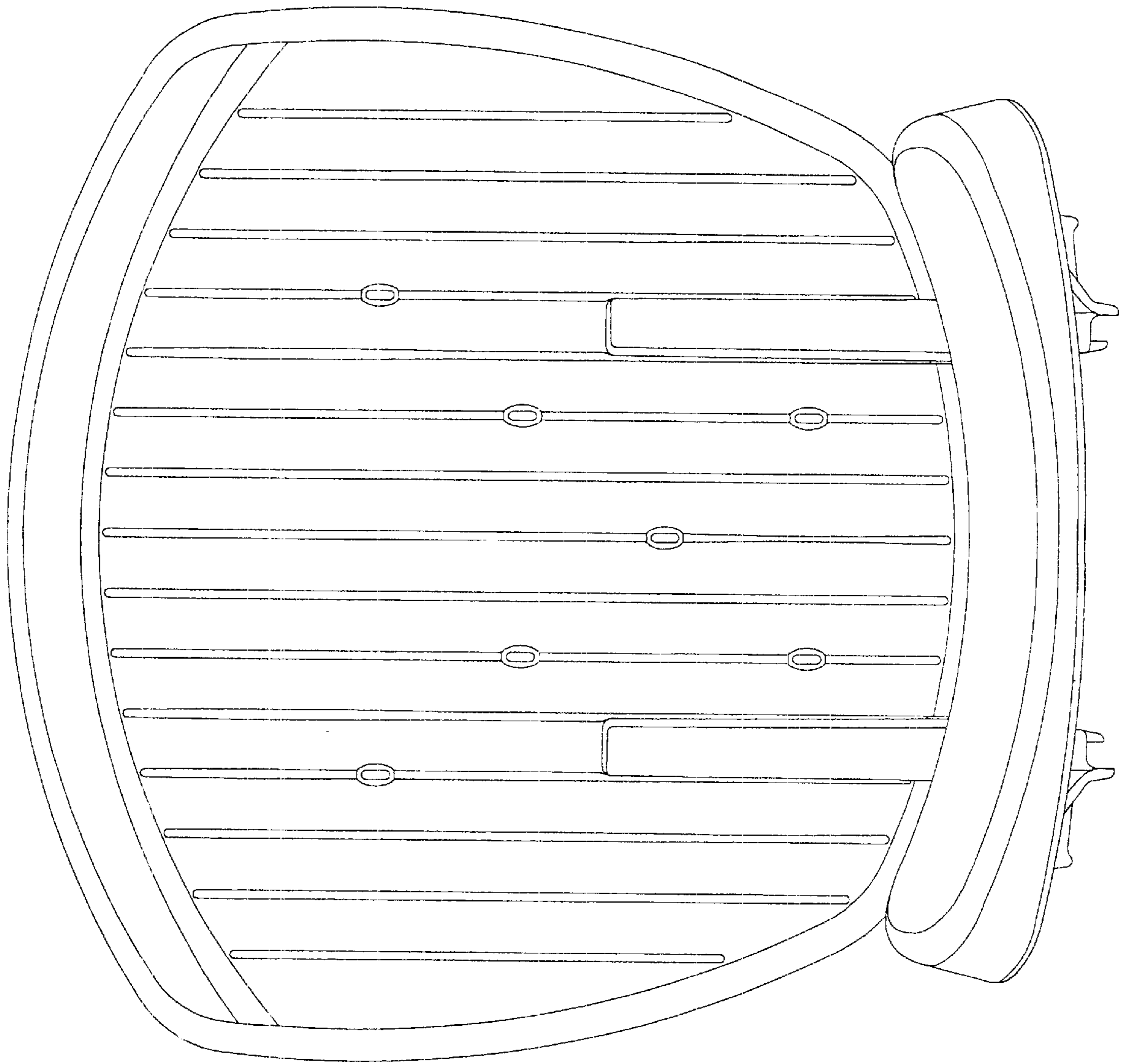


FIG. 6

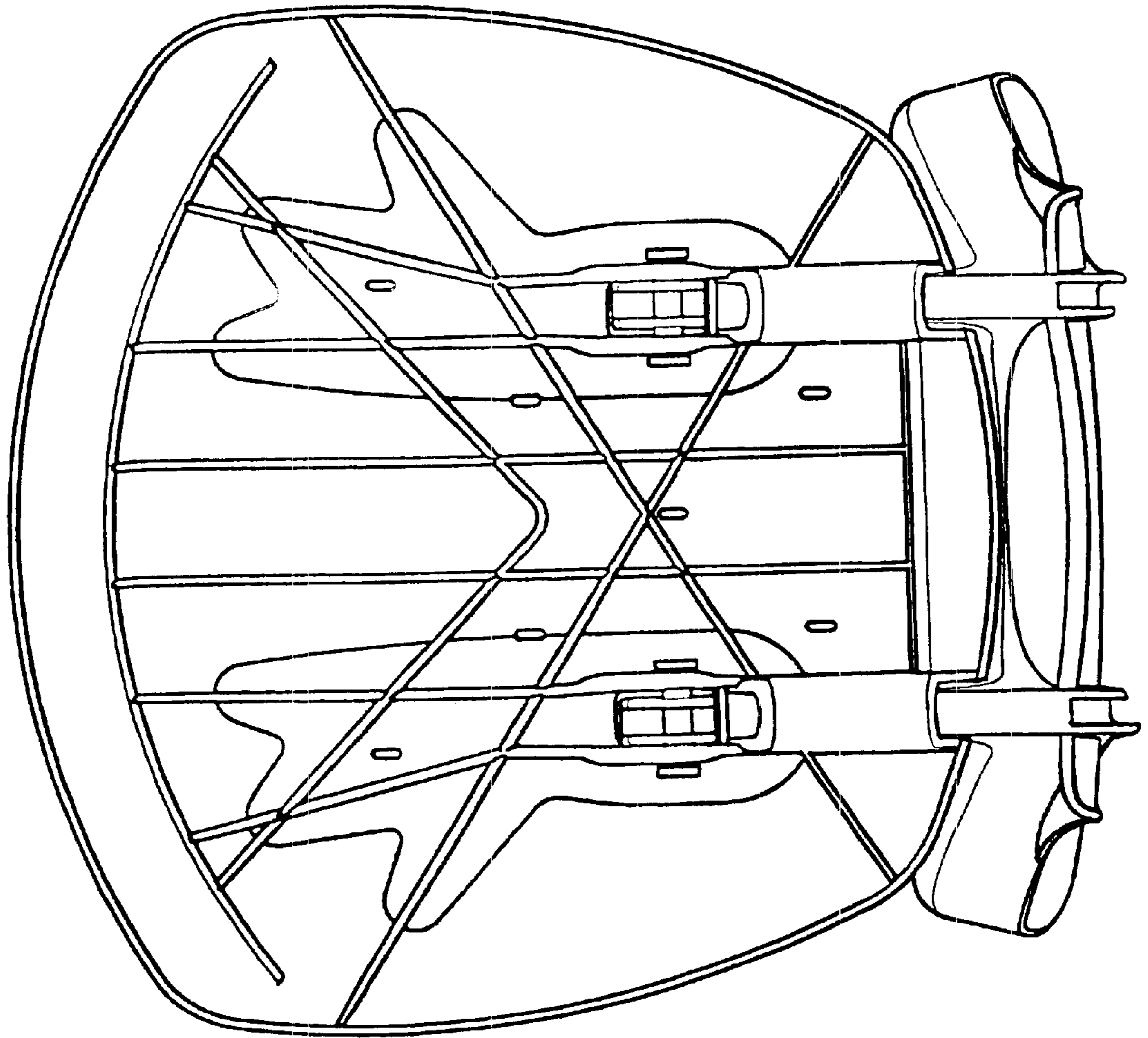


FIG. 7

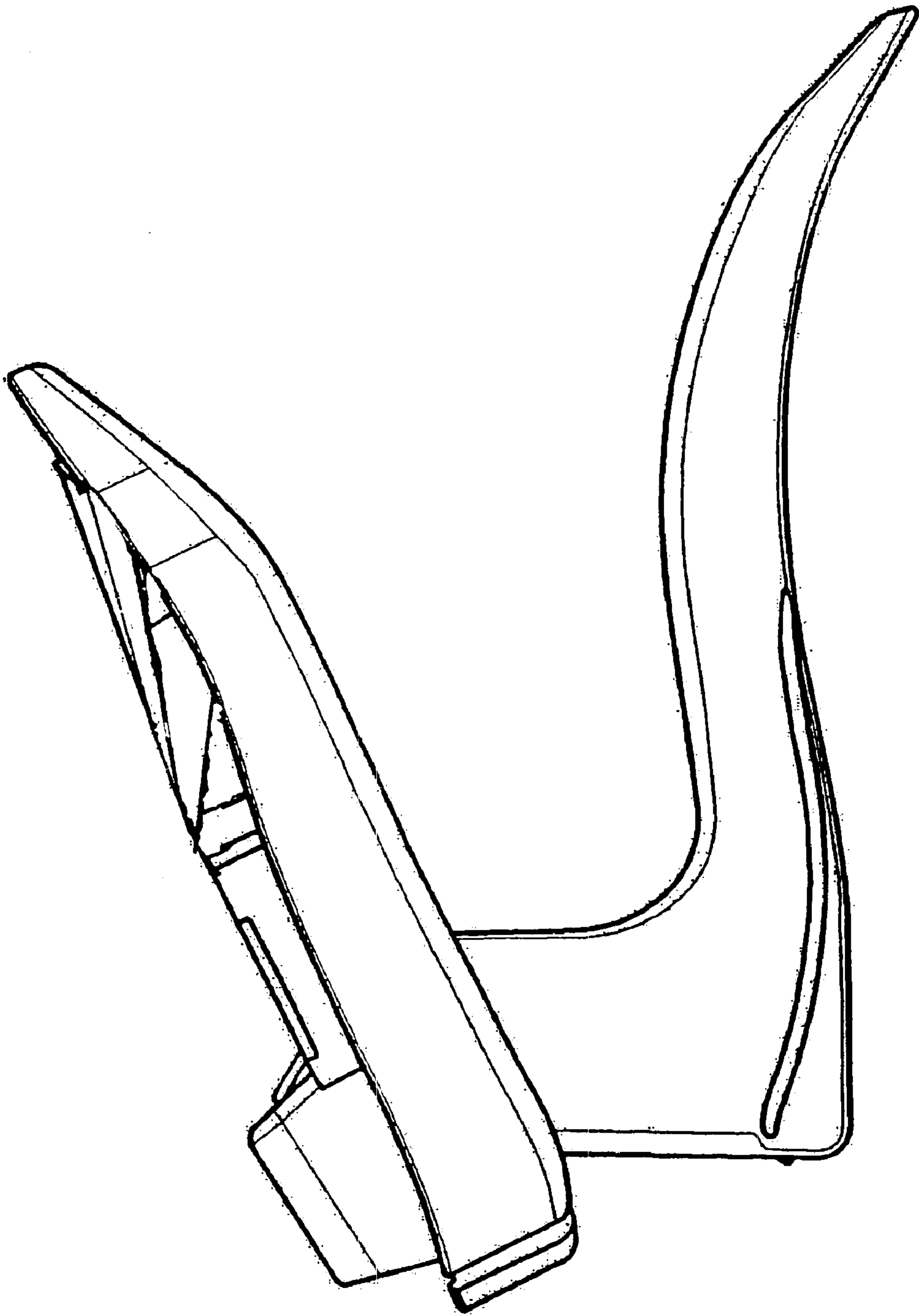


FIG. 8

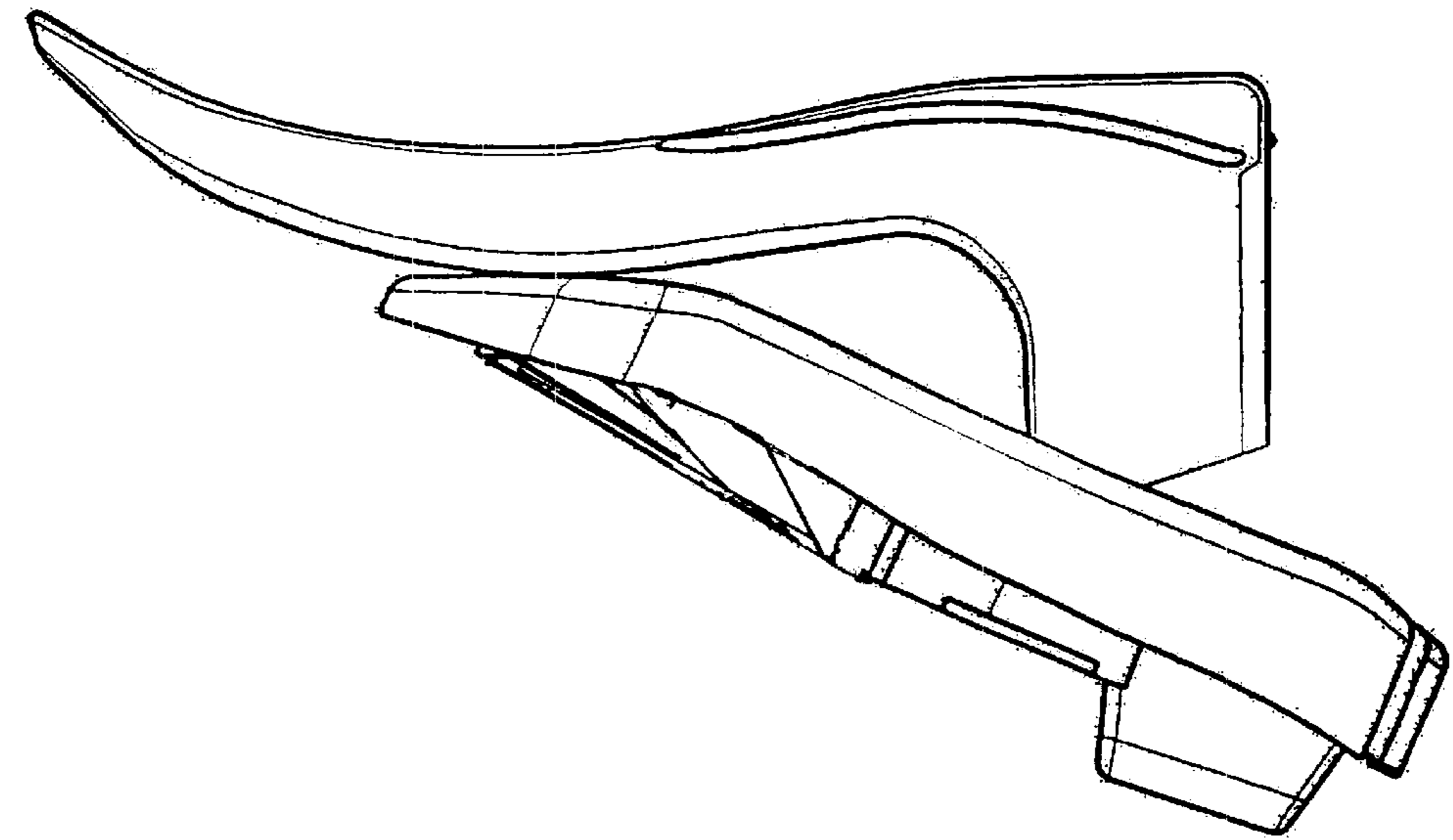


FIG. 10

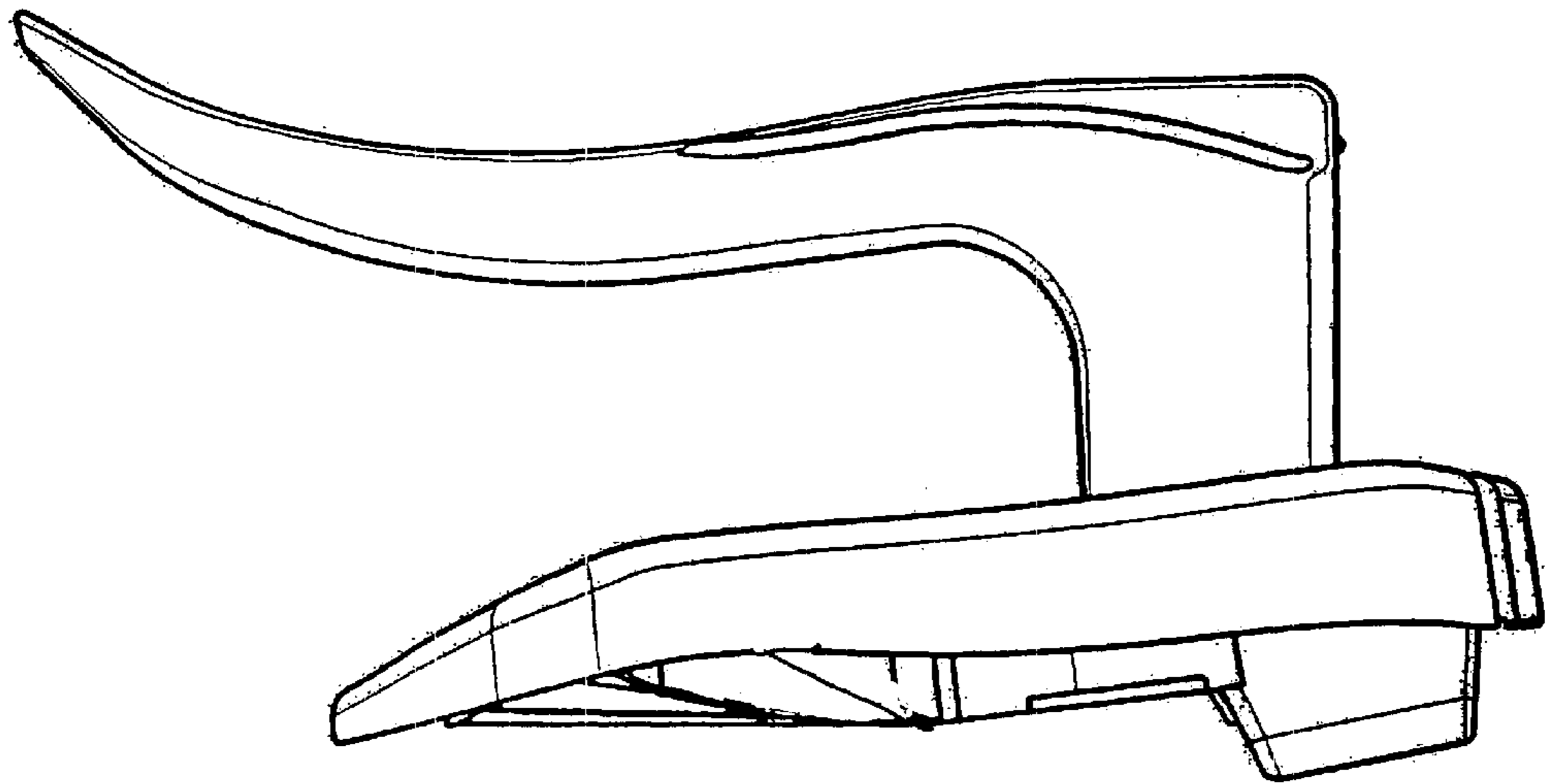


FIG. 9